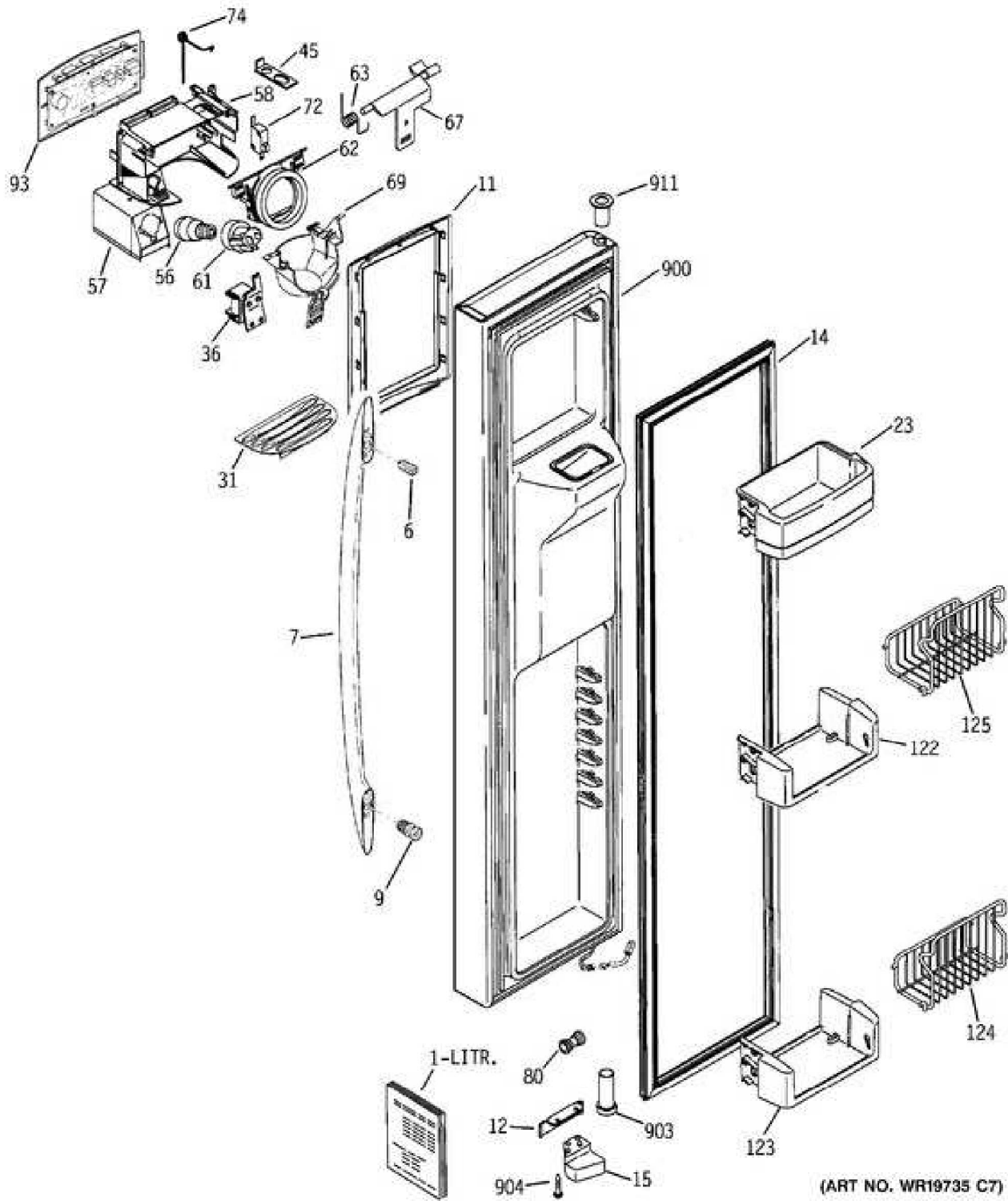
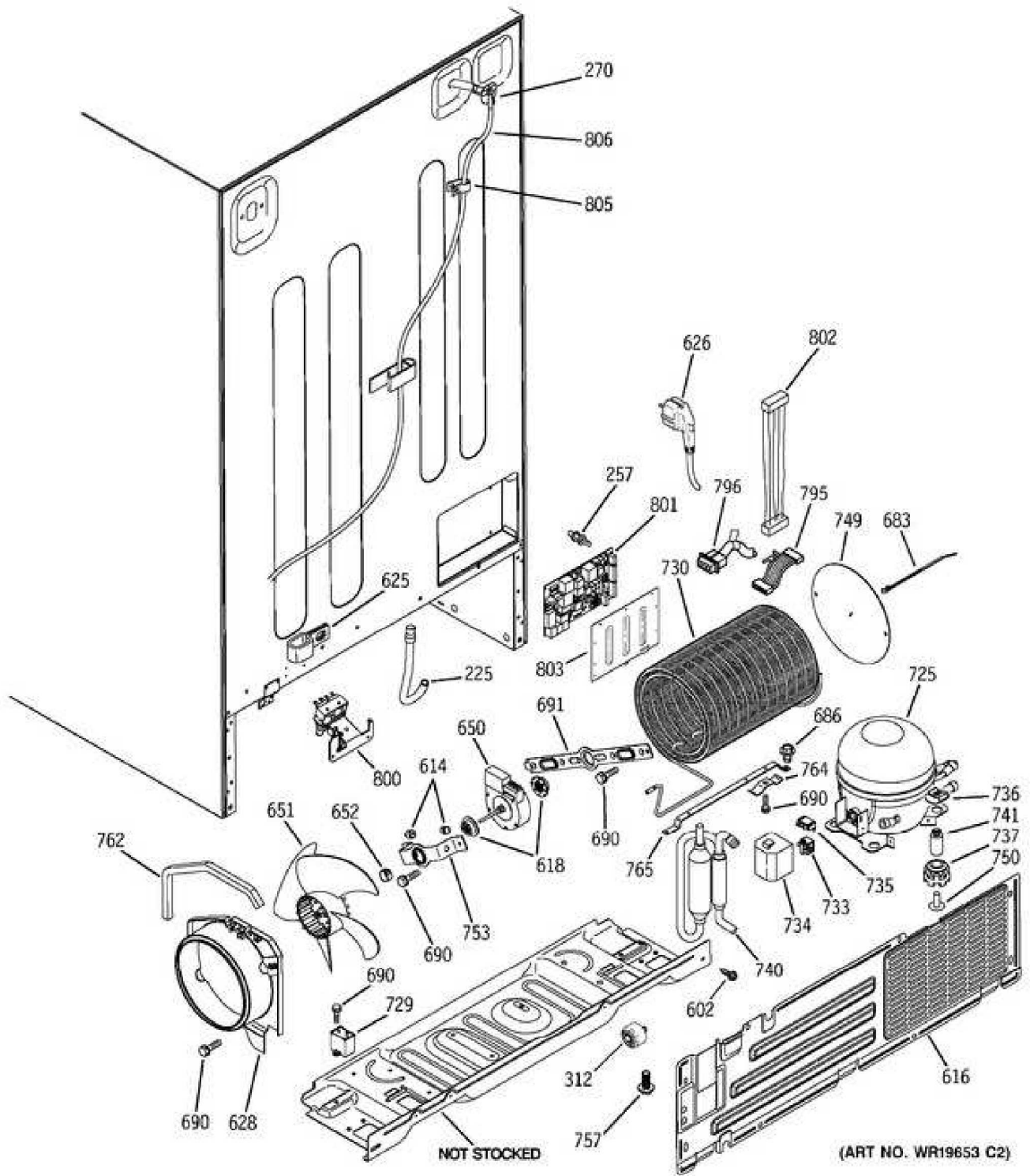
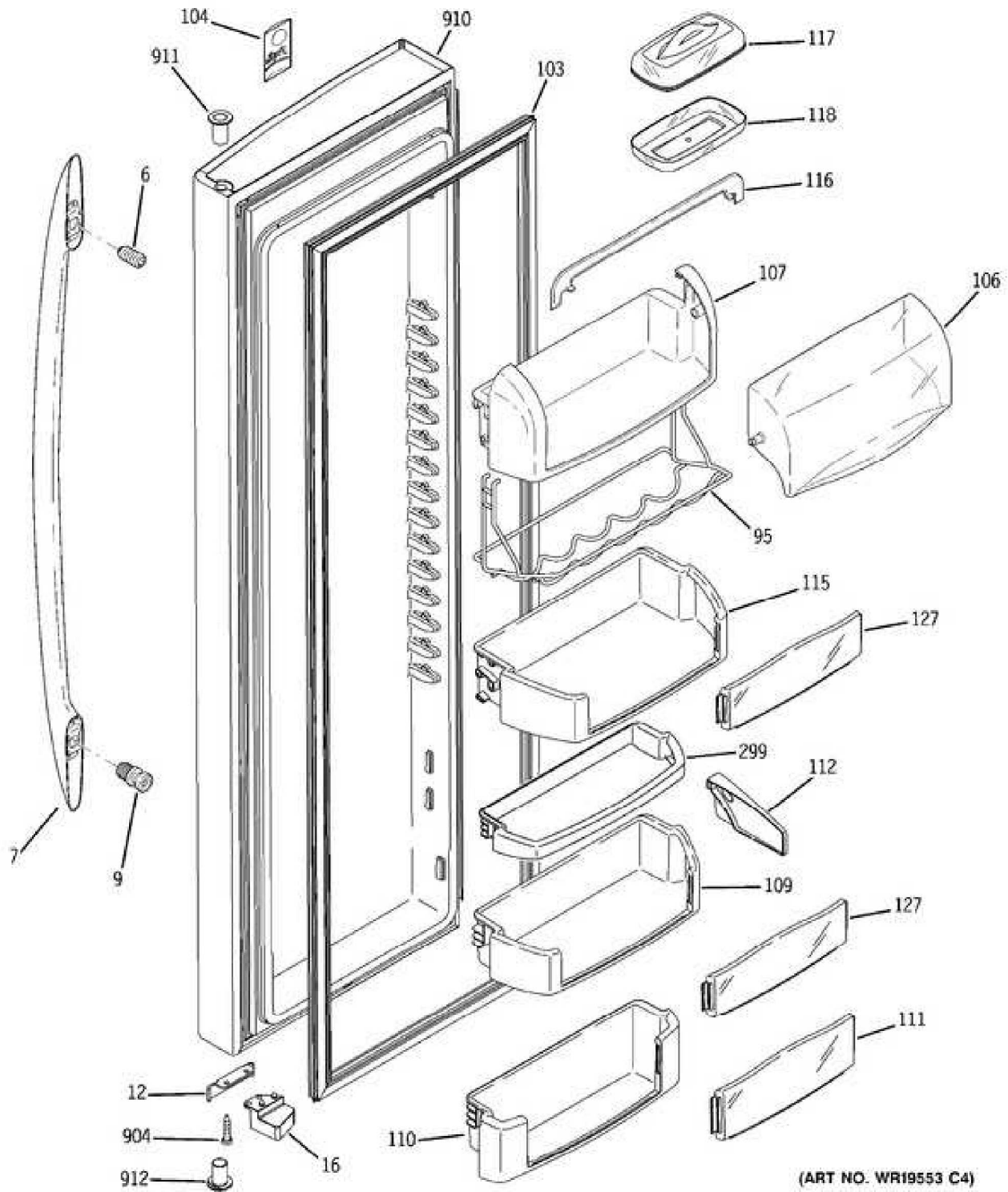


(ART NO. WR20069 C2)

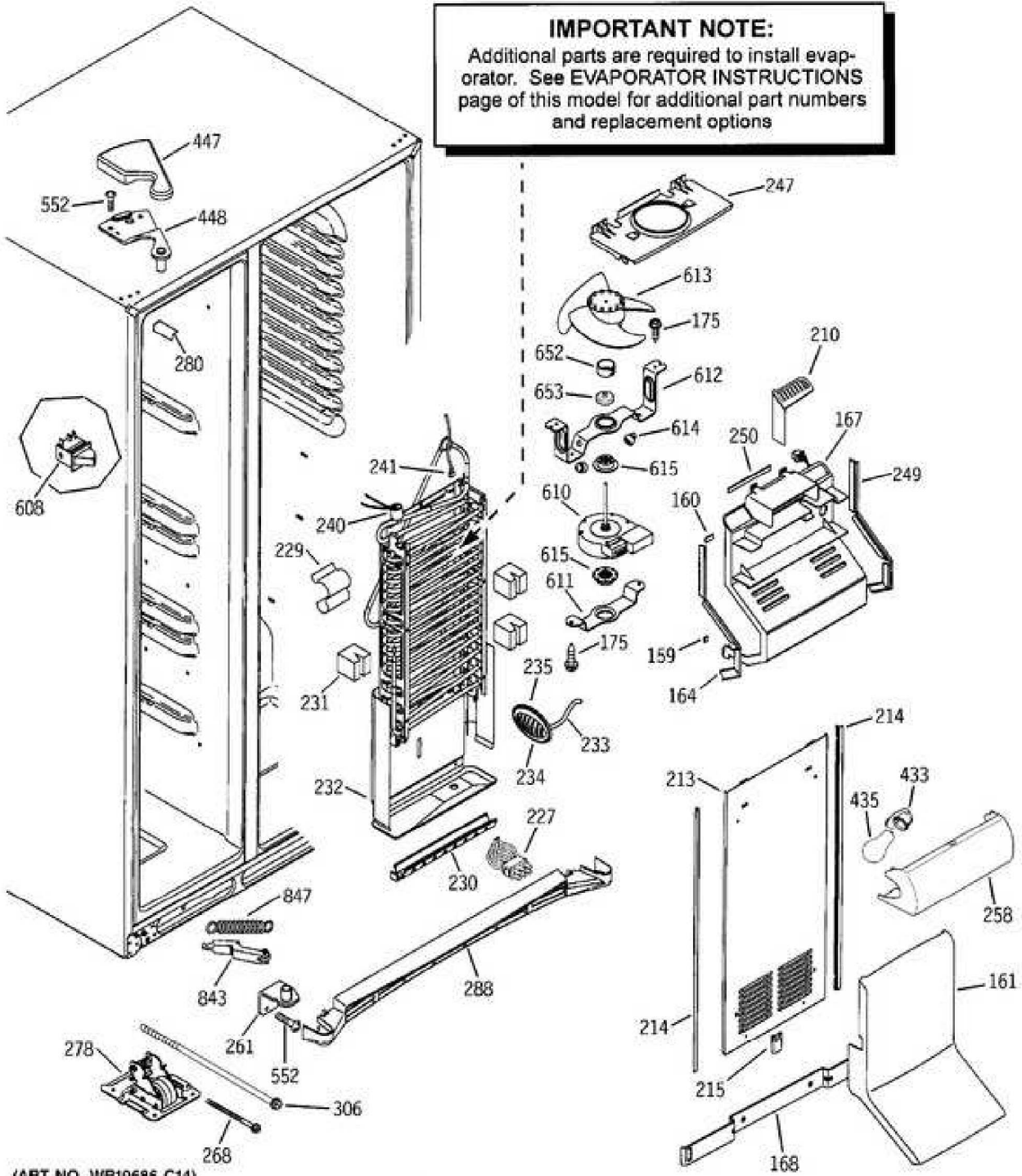




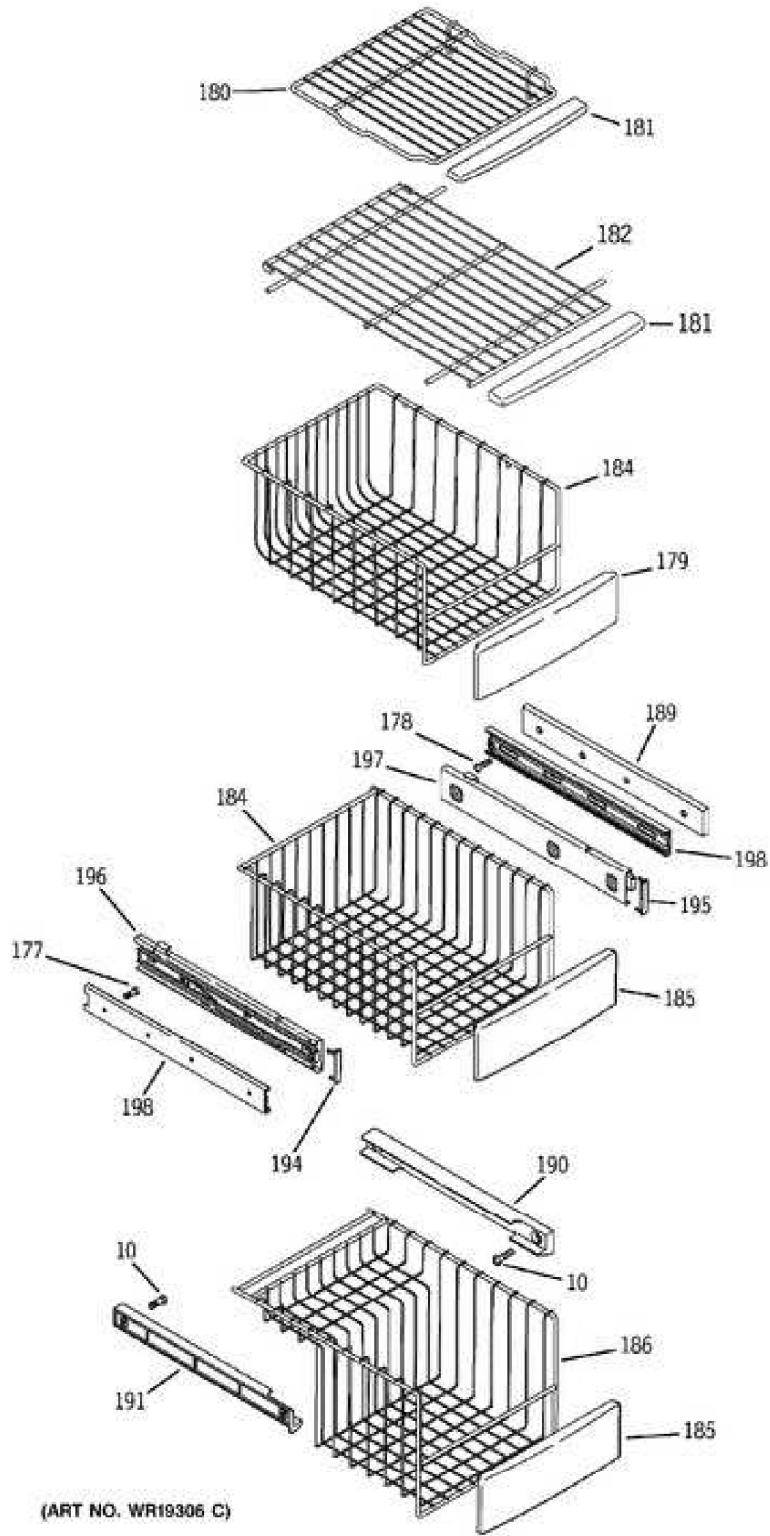


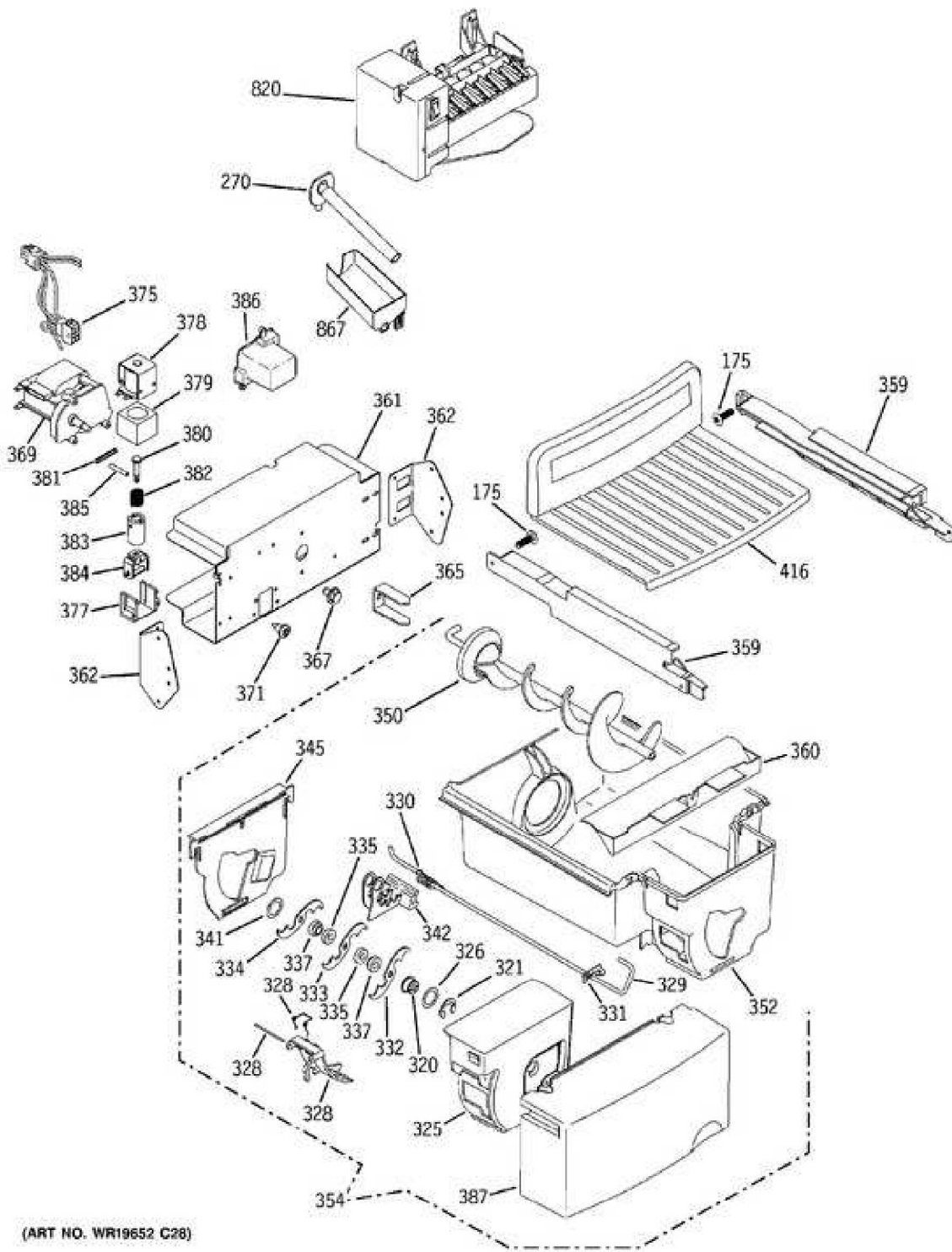
(ART NO. WR19553 C4)

**IMPORTANT NOTE:**  
 Additional parts are required to install evaporator. See EVAPORATOR INSTRUCTIONS page of this model for additional part numbers and replacement options

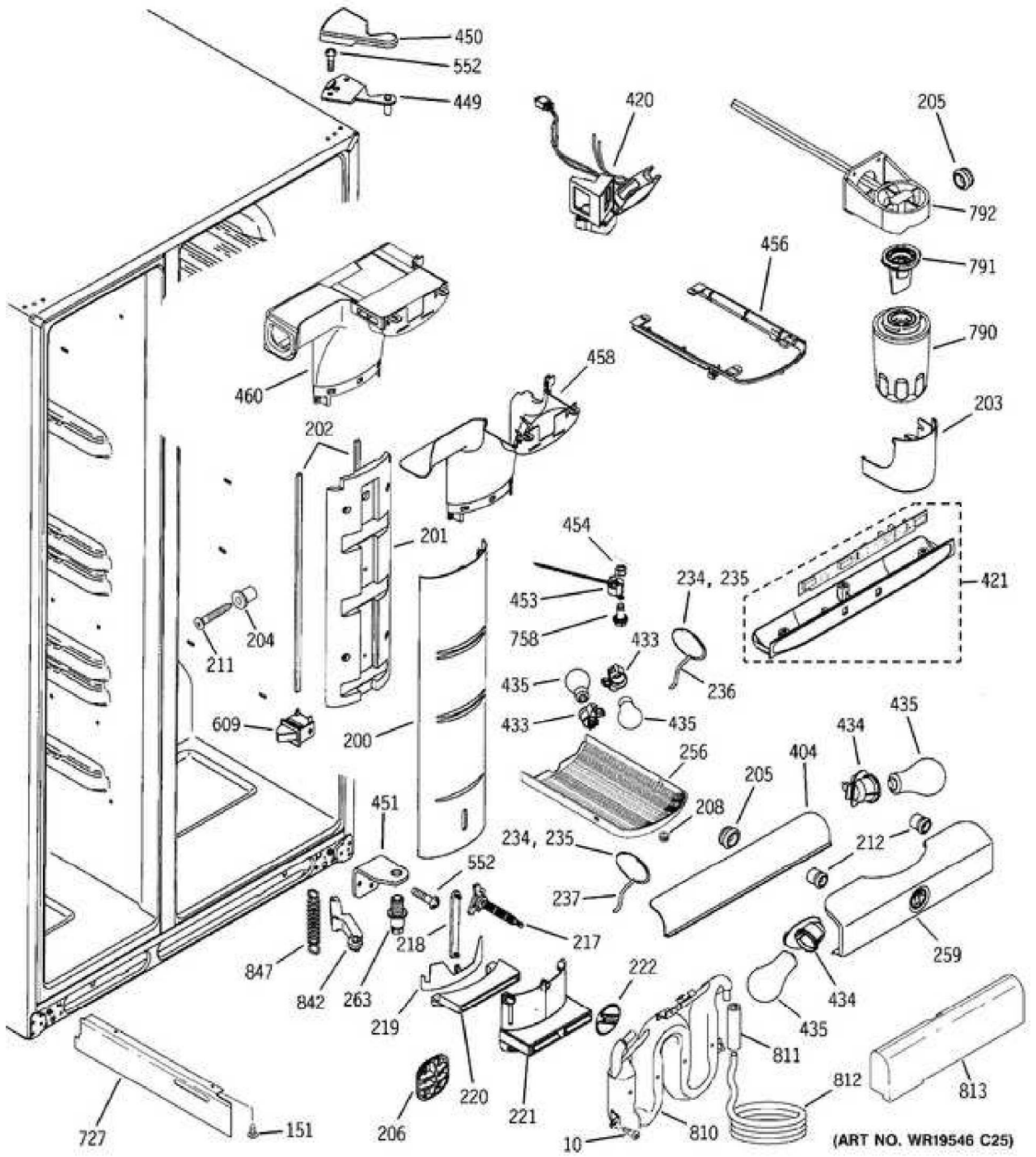


(ART NO. WR19686 C14)

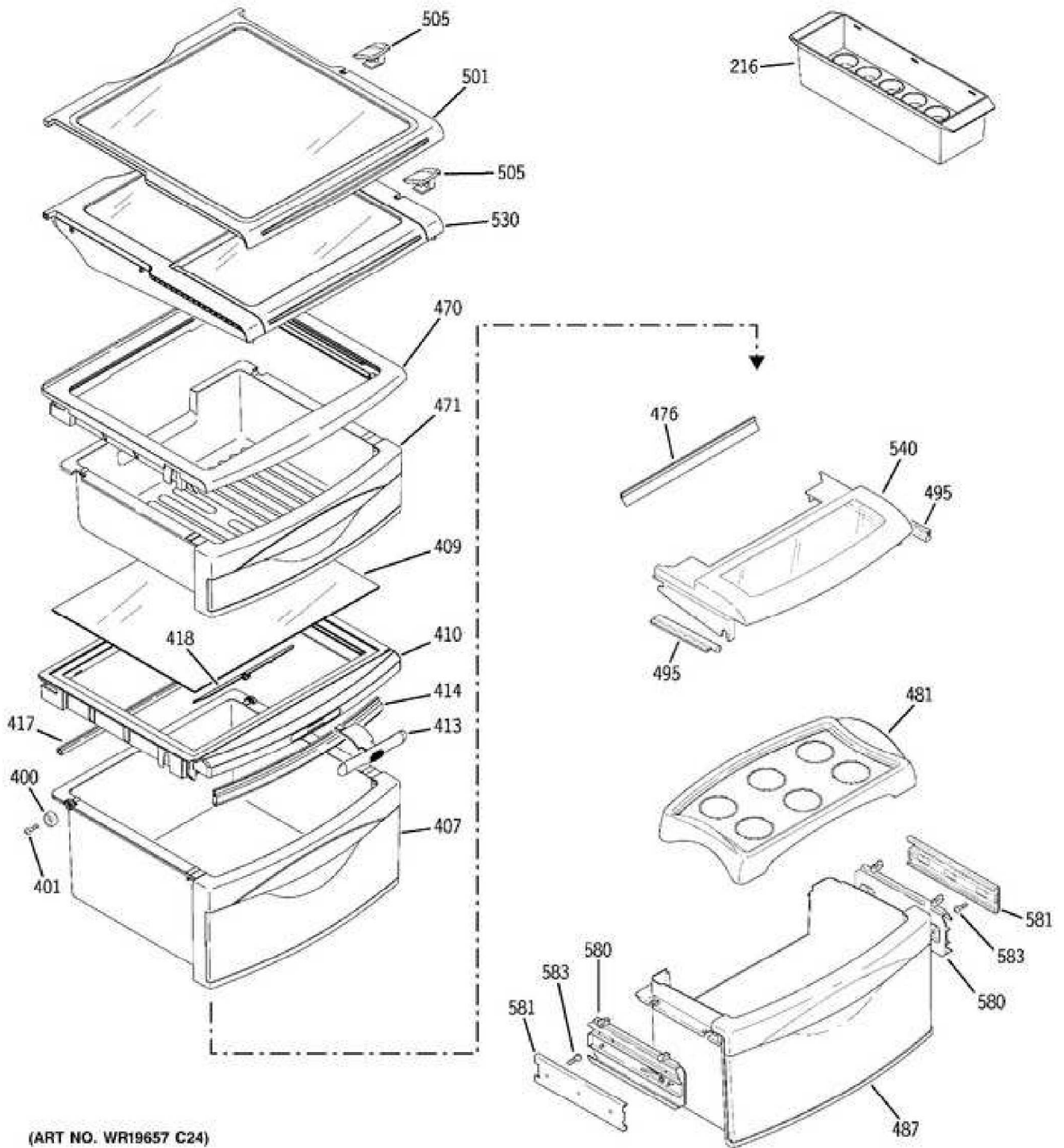




(ART NO. WR19652 C28)







(ART NO. WR19657 C24)