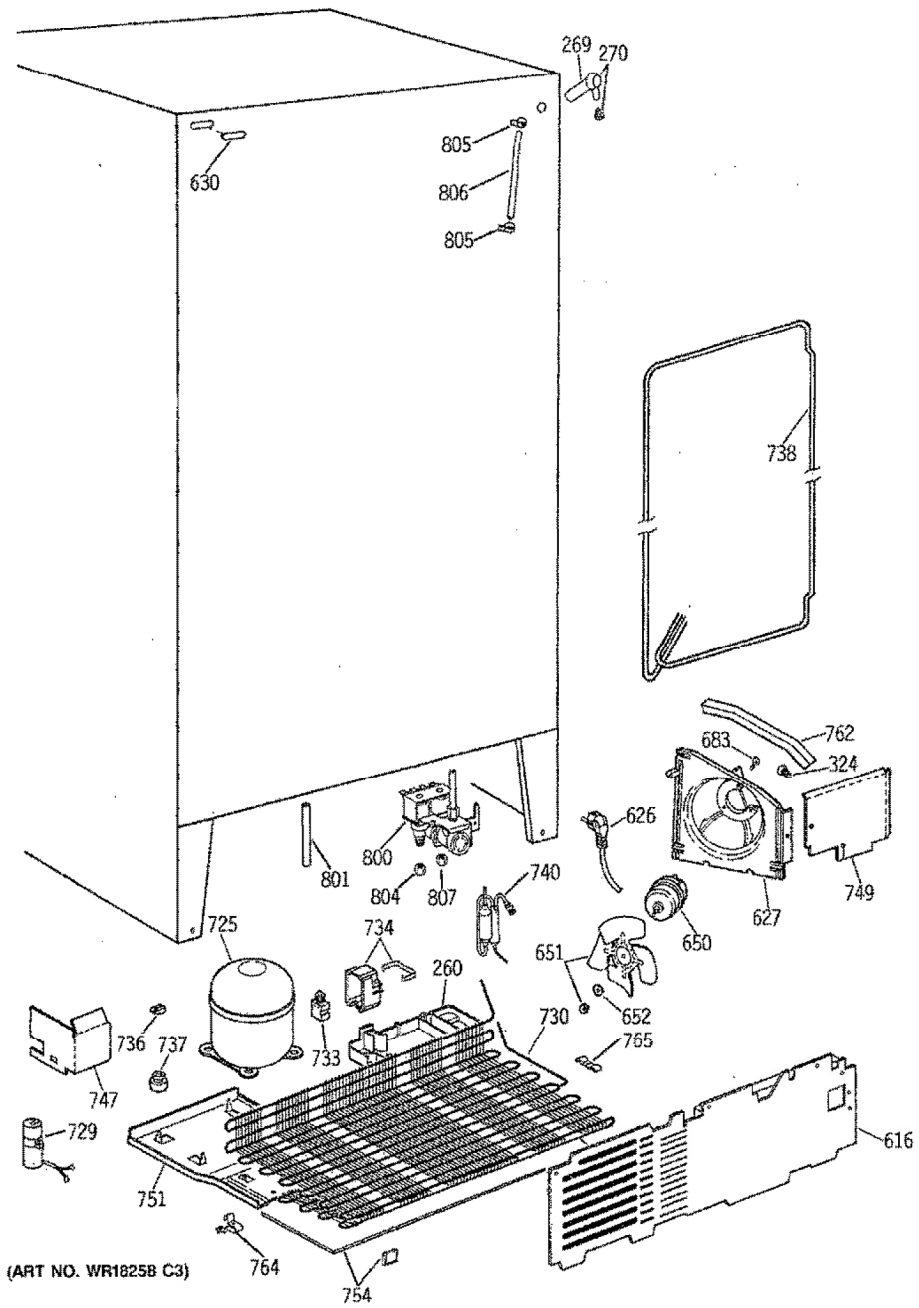
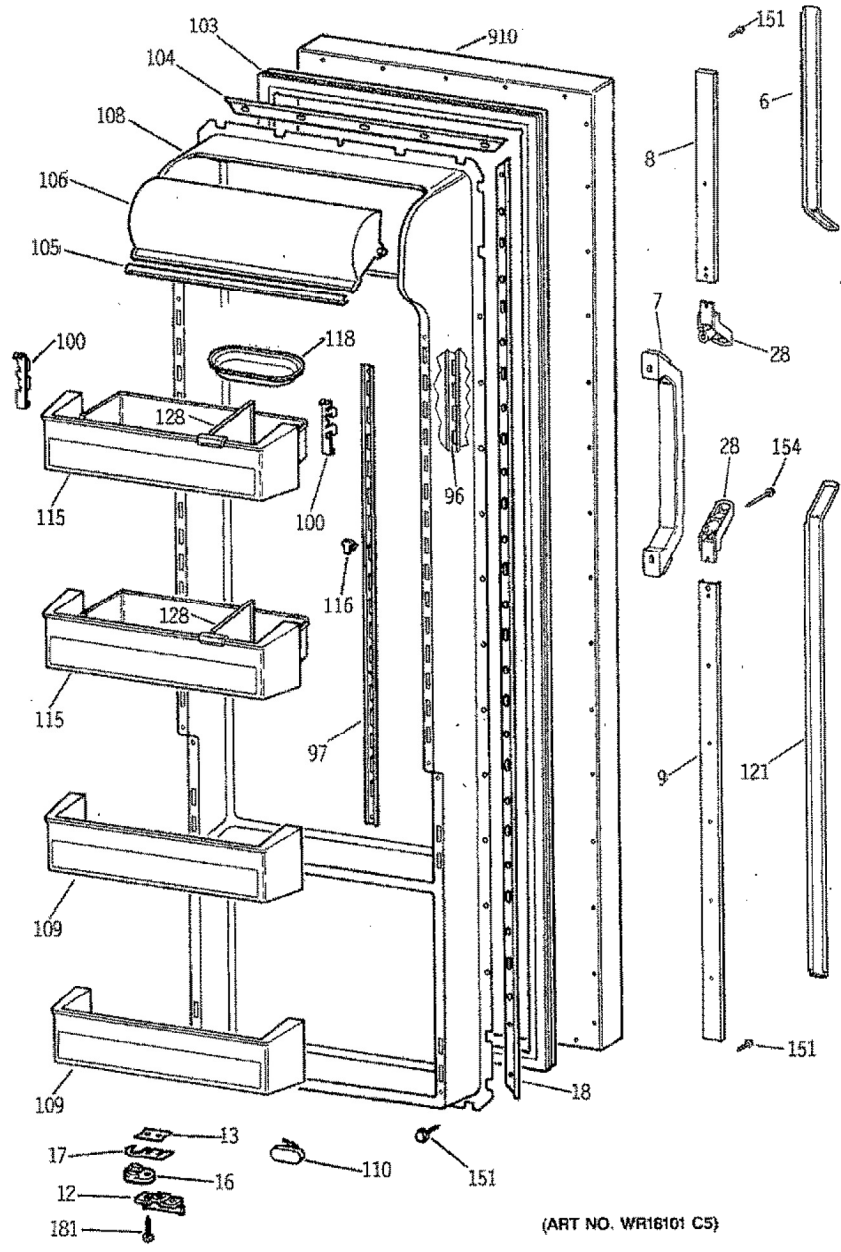
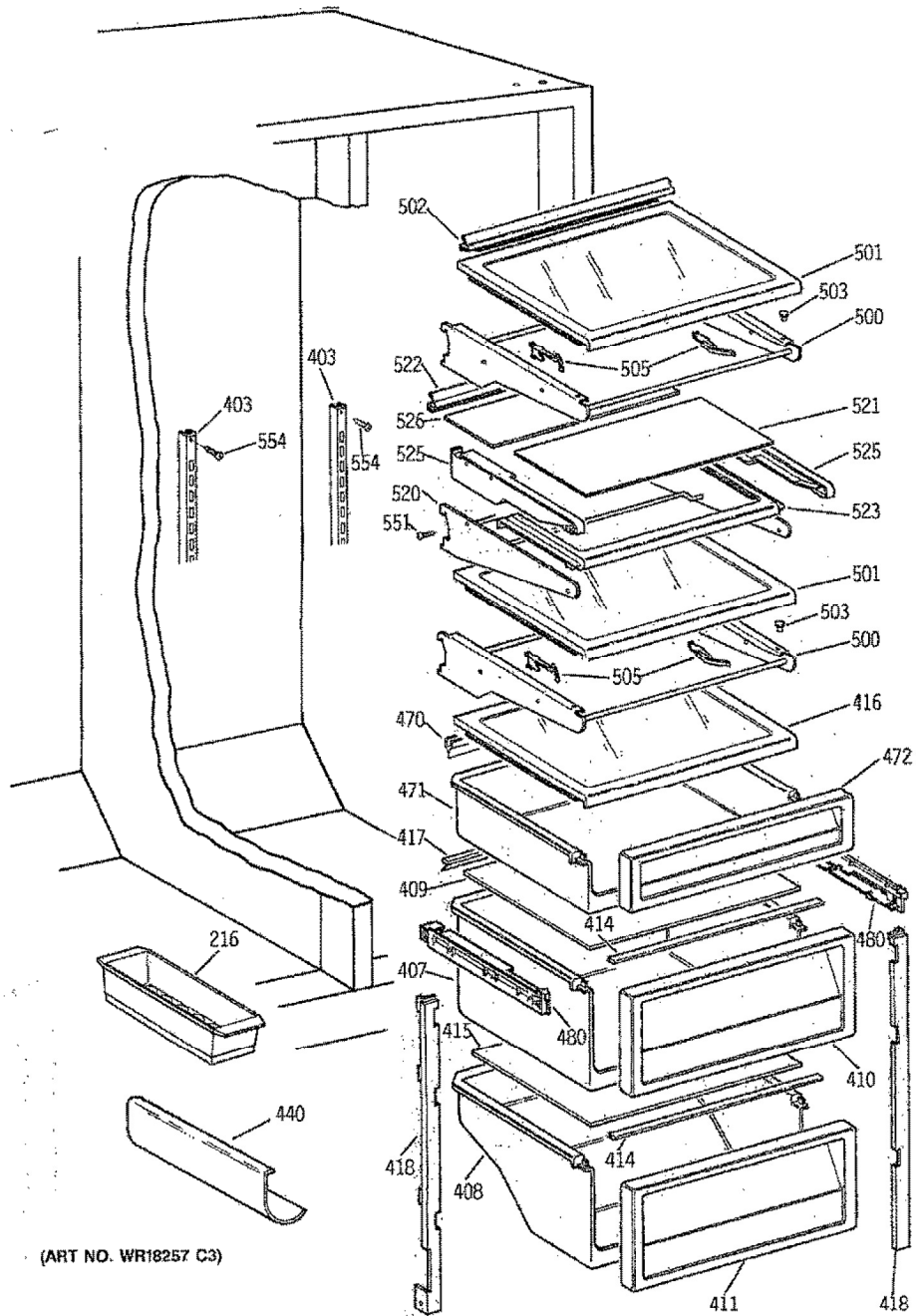
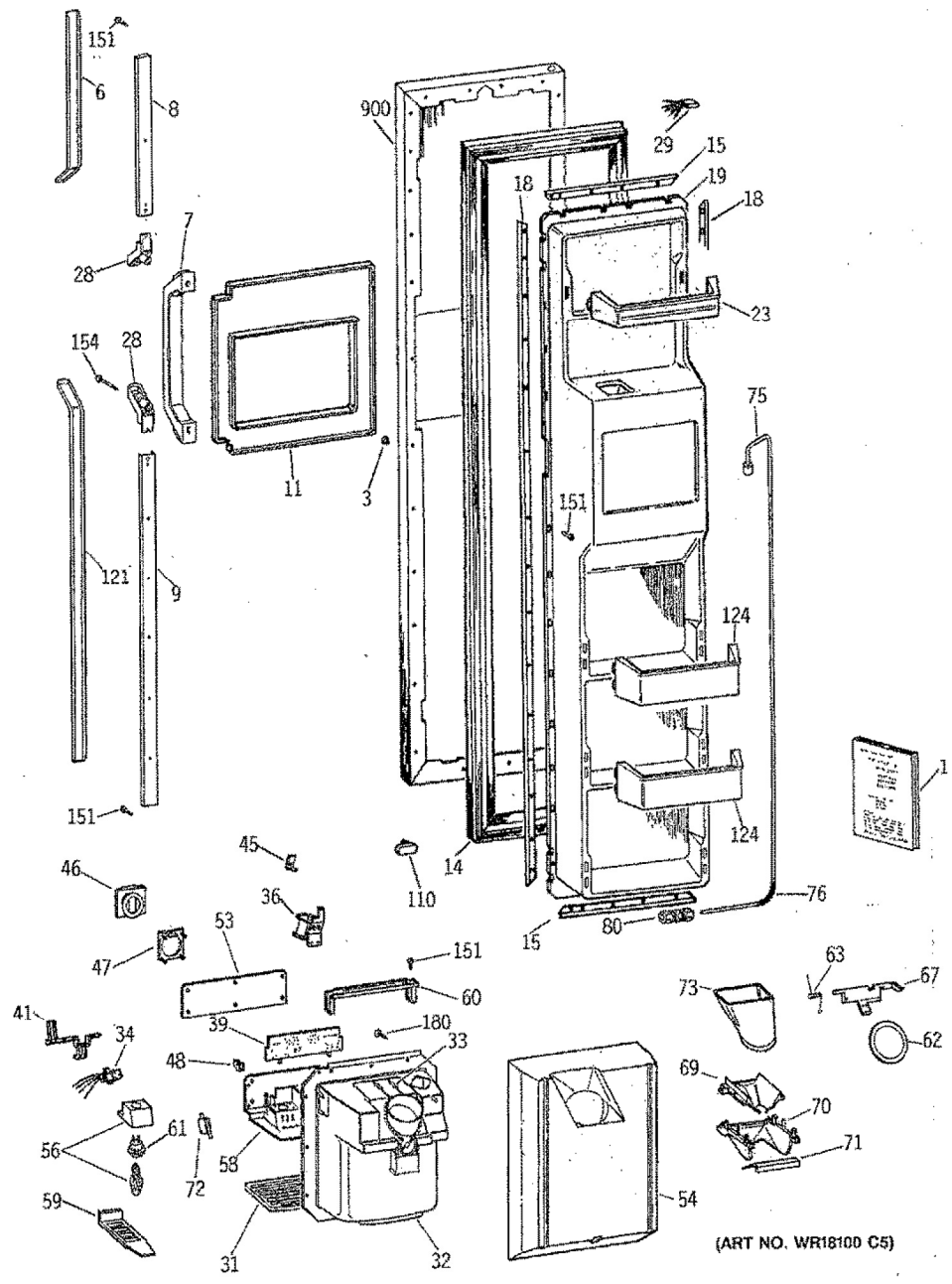


(ART NO. WR18088 C2)









(ART NO. WR18100 C5)