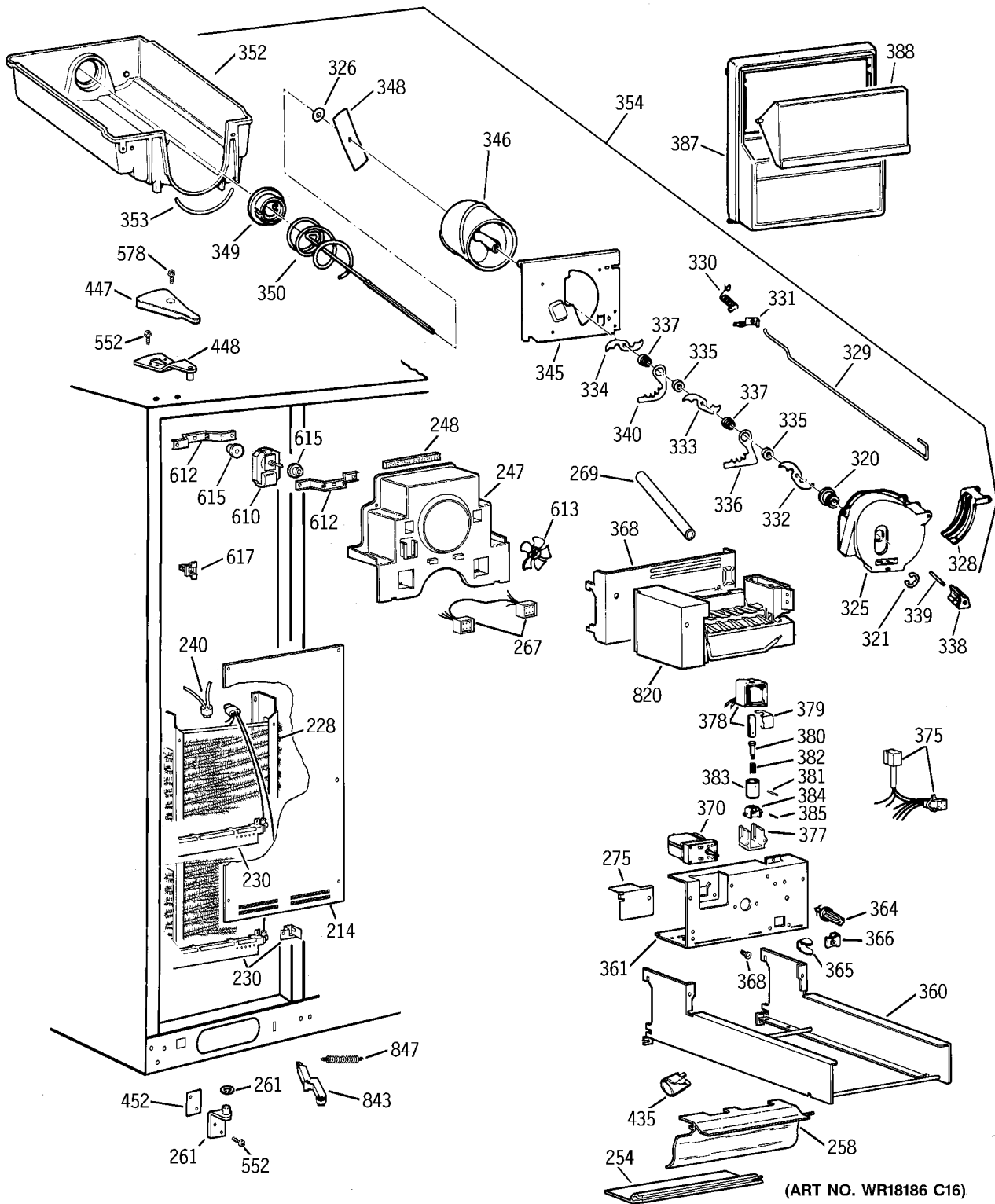
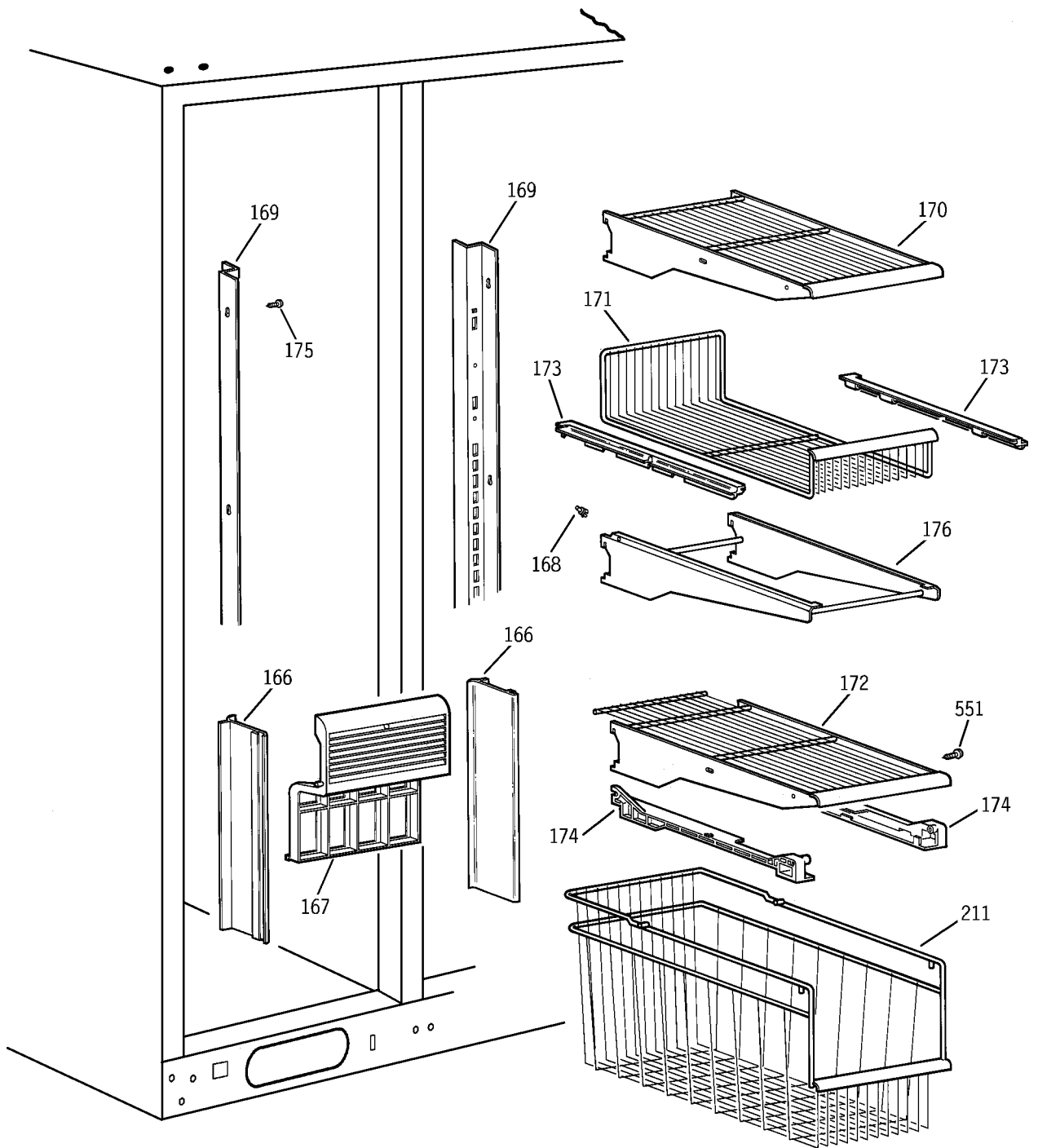


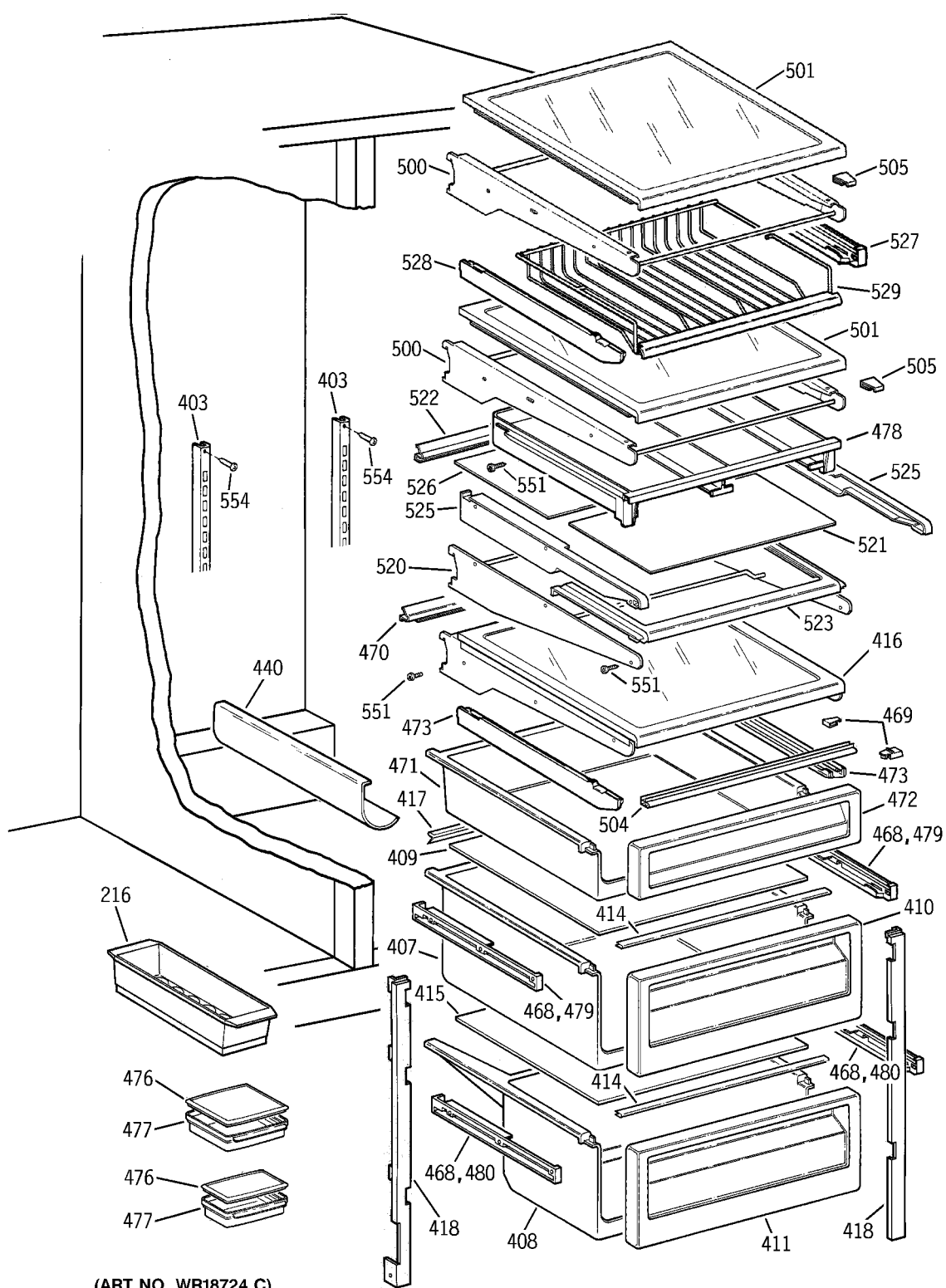
(ART NO. WR18564 C30)



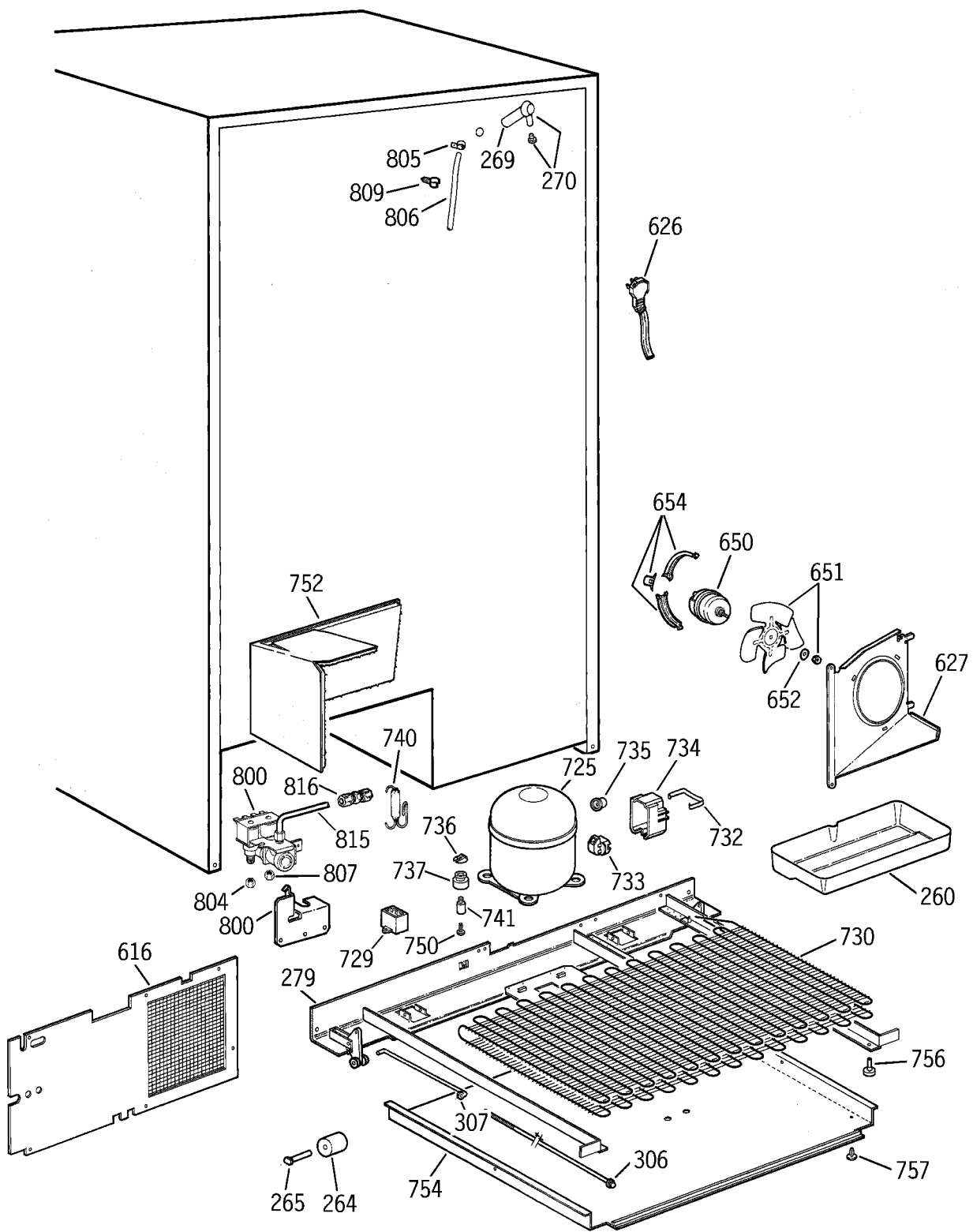


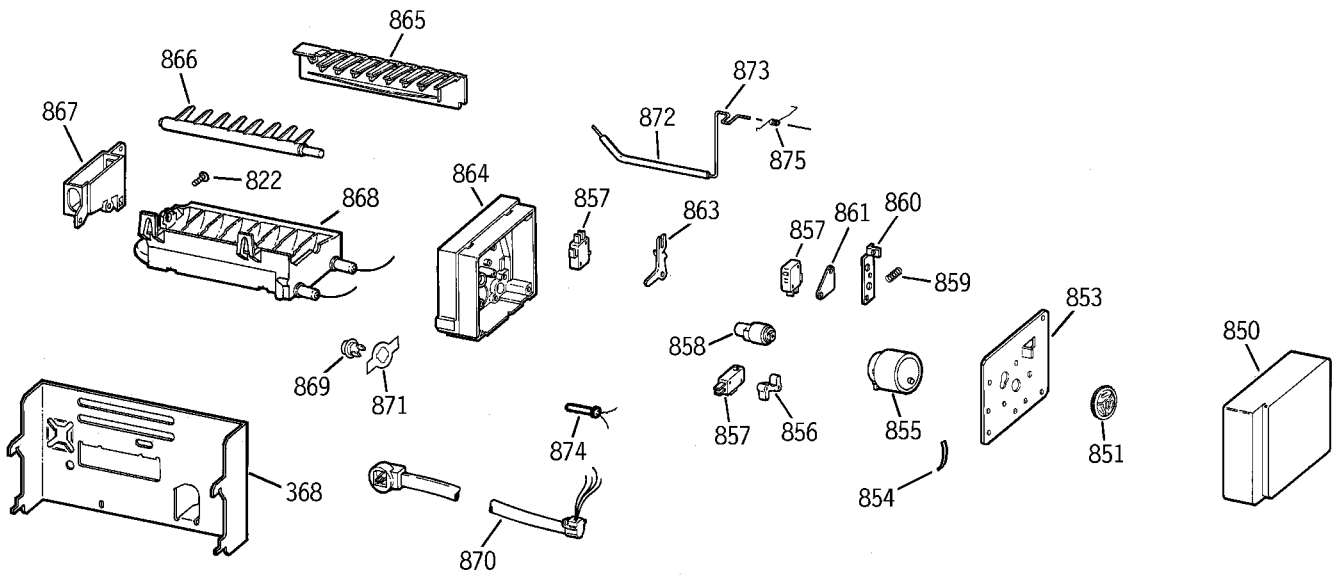






(ART NO. WR18724 C)





(ART NO. WR18599 C2)