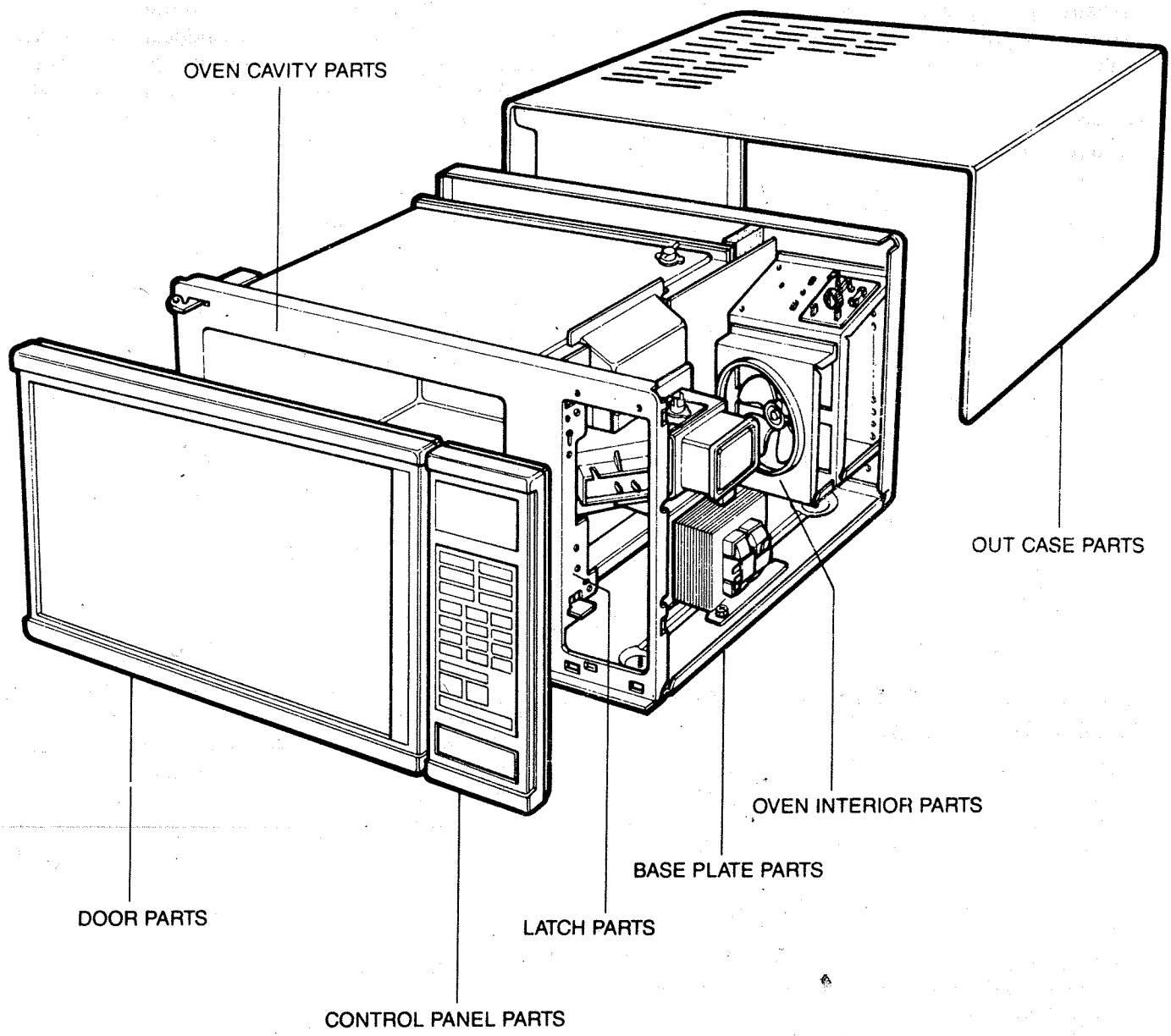
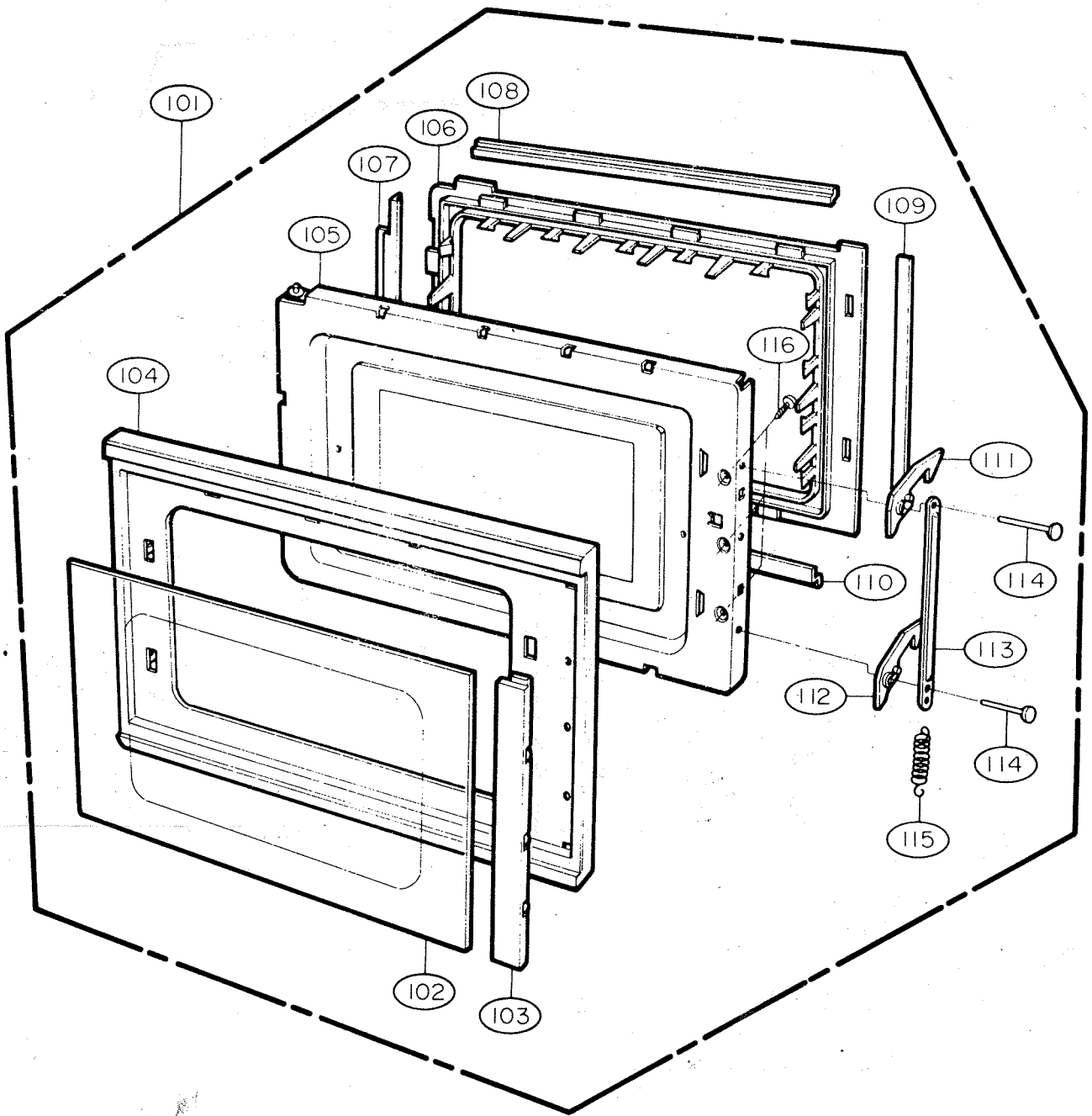


EXPLODED VIEW AND PARTS LIST

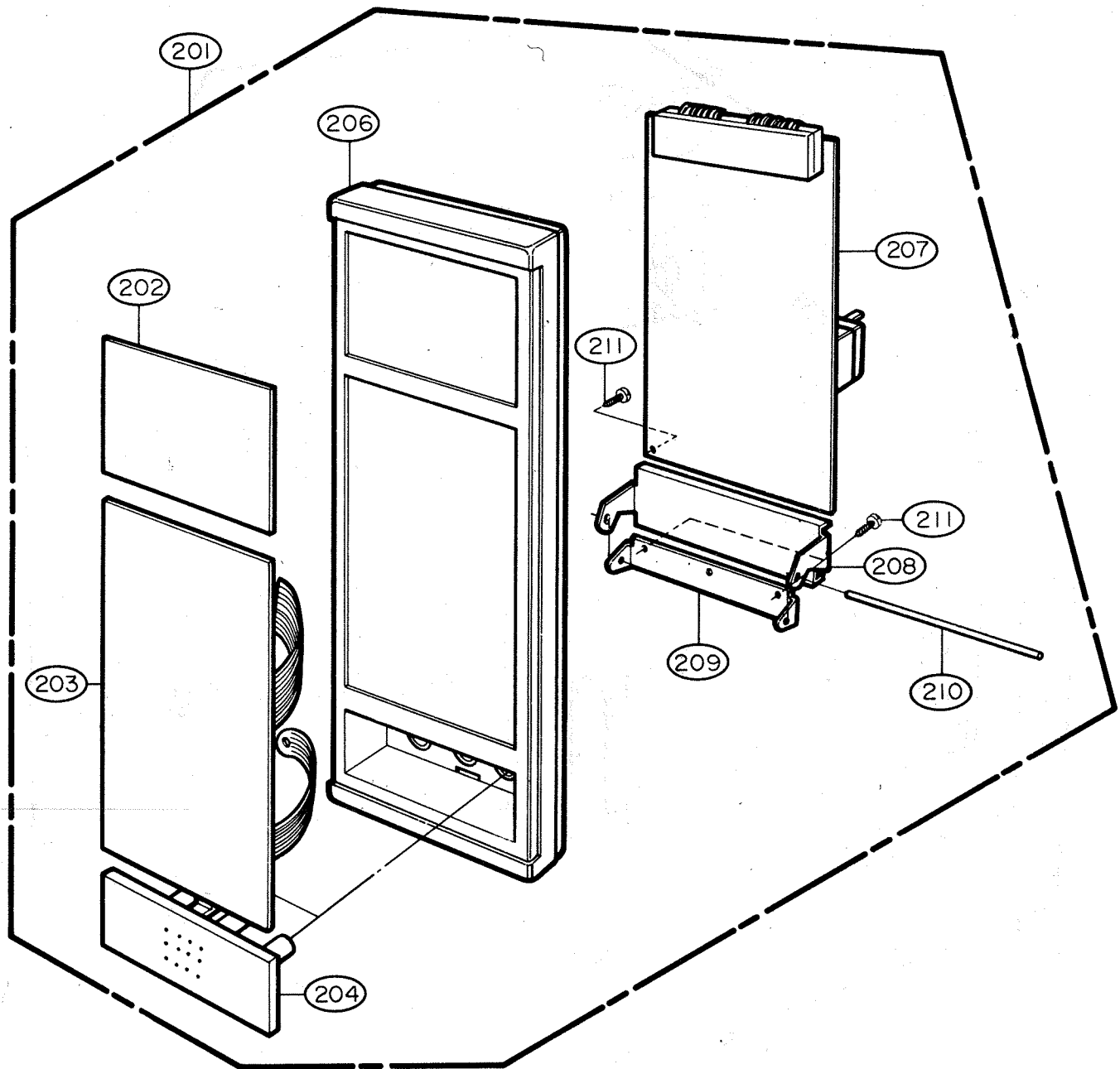
INTRODUCTION



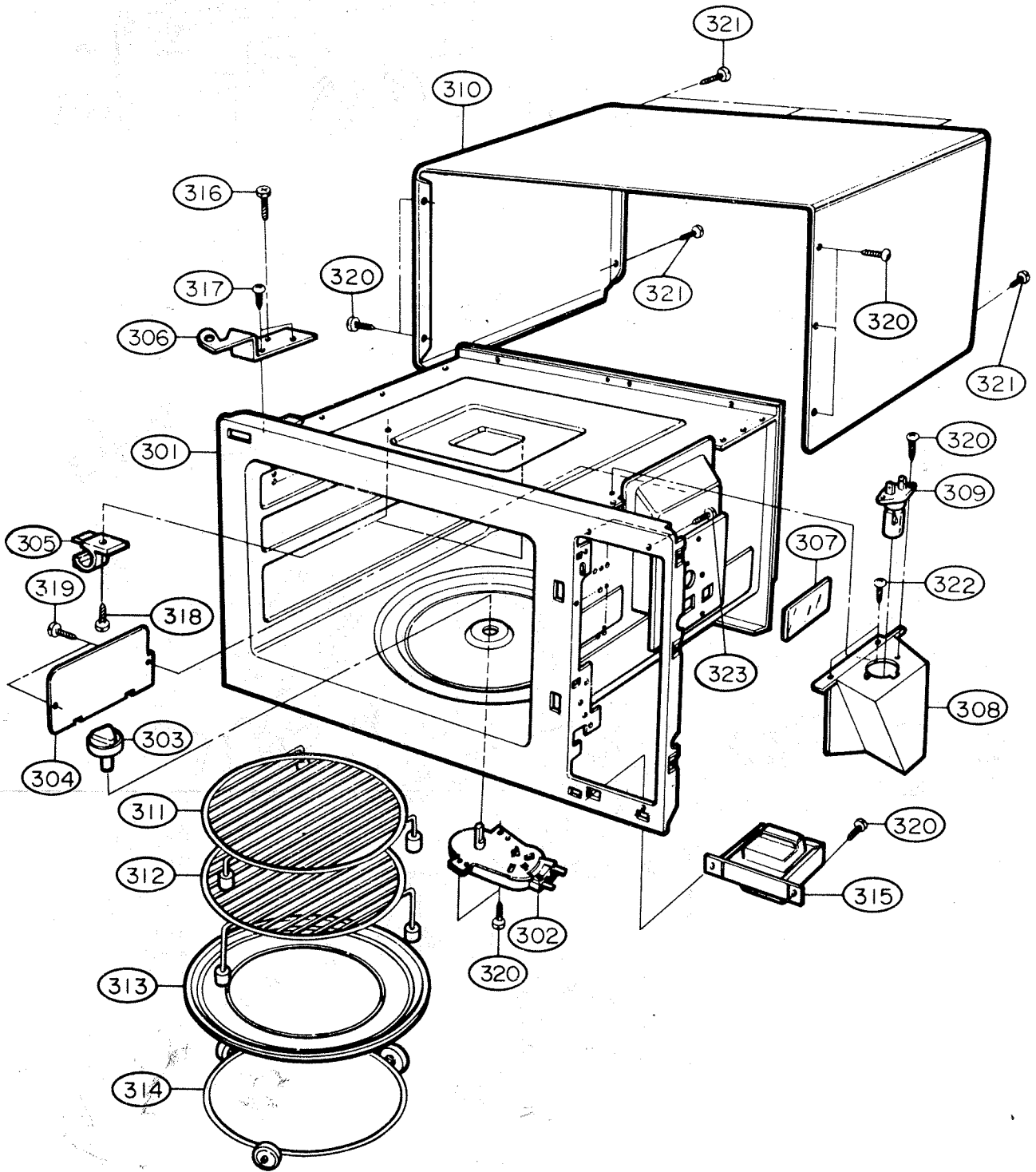
1. DOOR PARTS



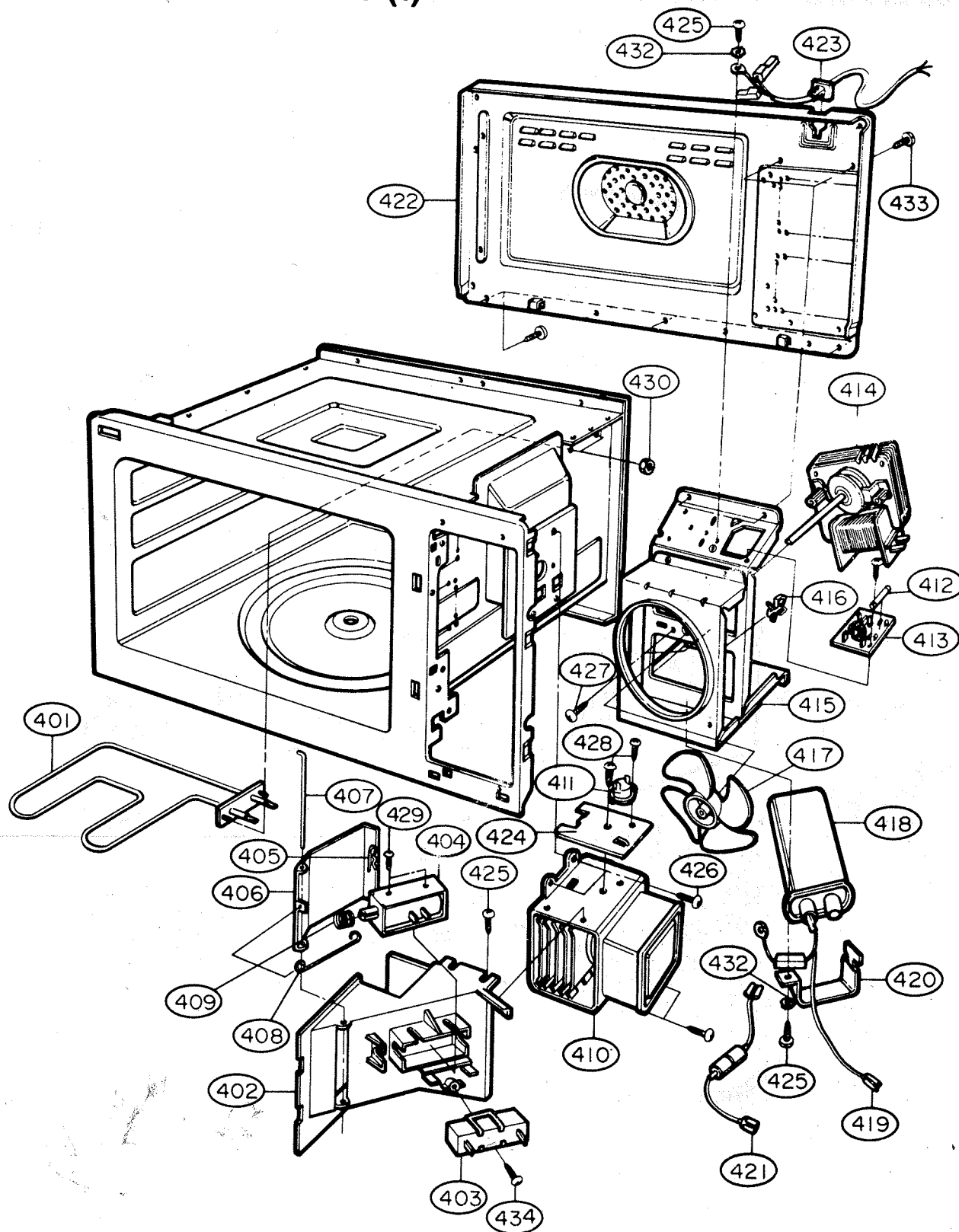
2. CONTROL PANEL PARTS



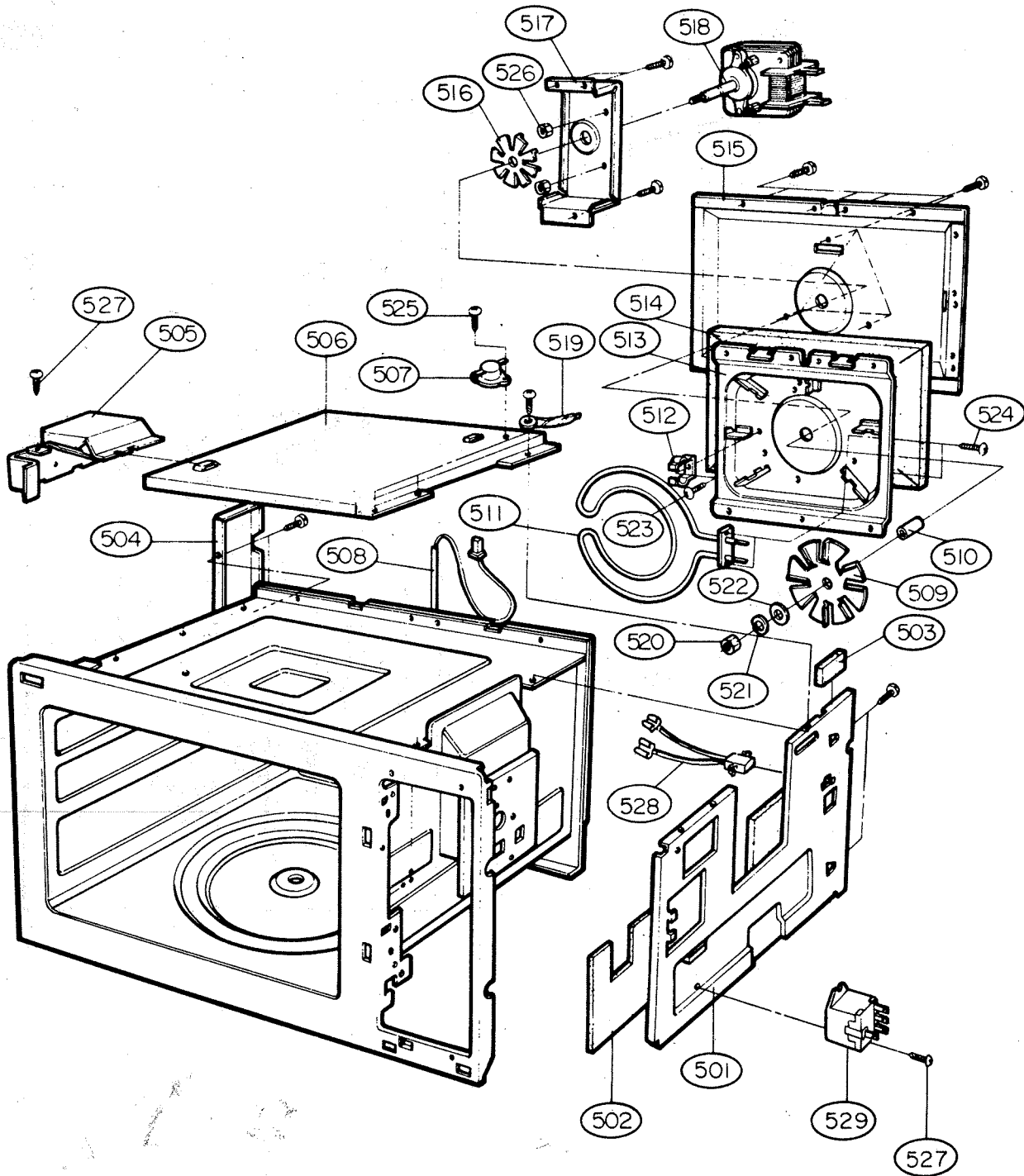
3. OVEN CAVITY PARTS



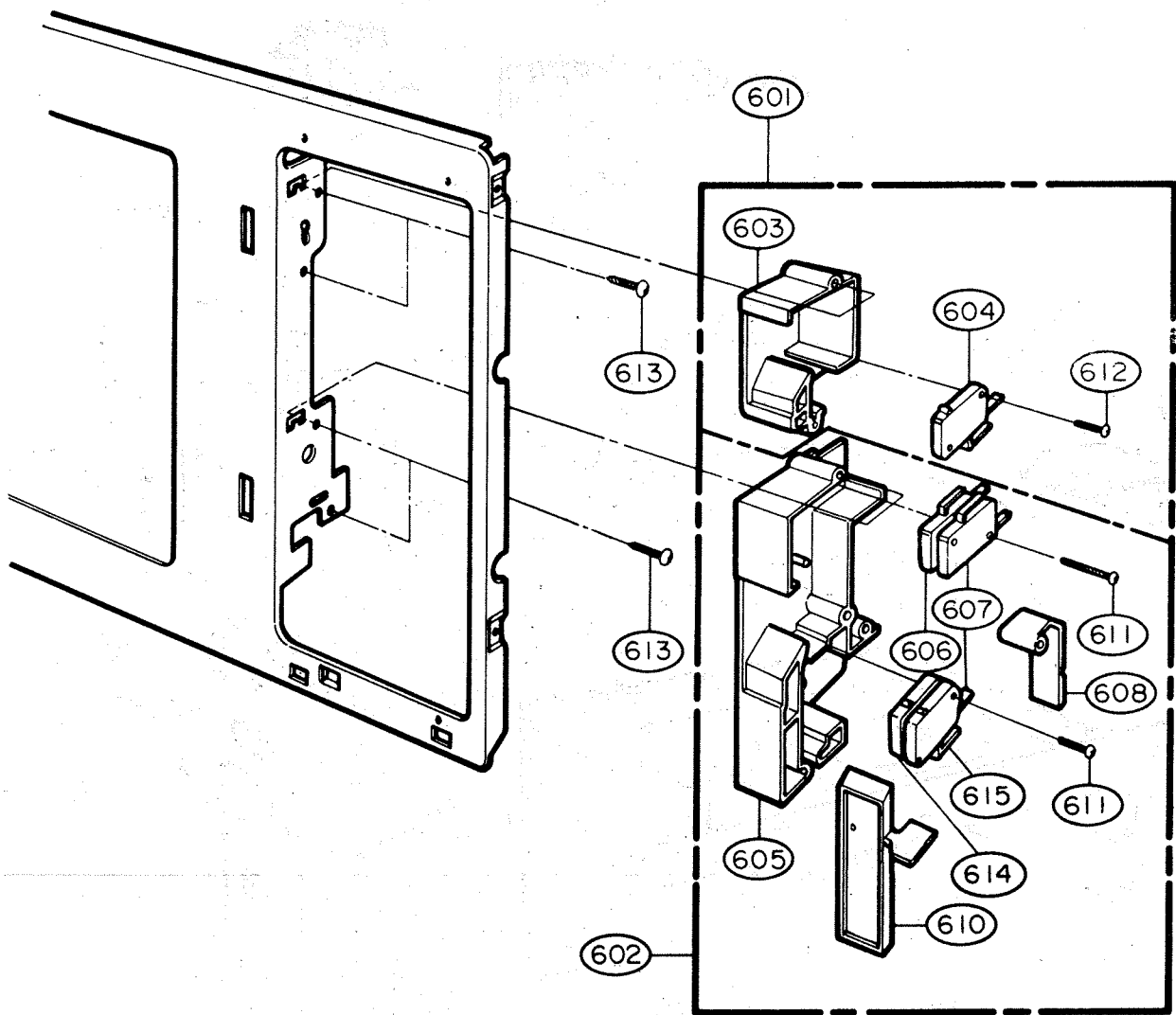
4. OVEN INTERIOR PARTS (1)



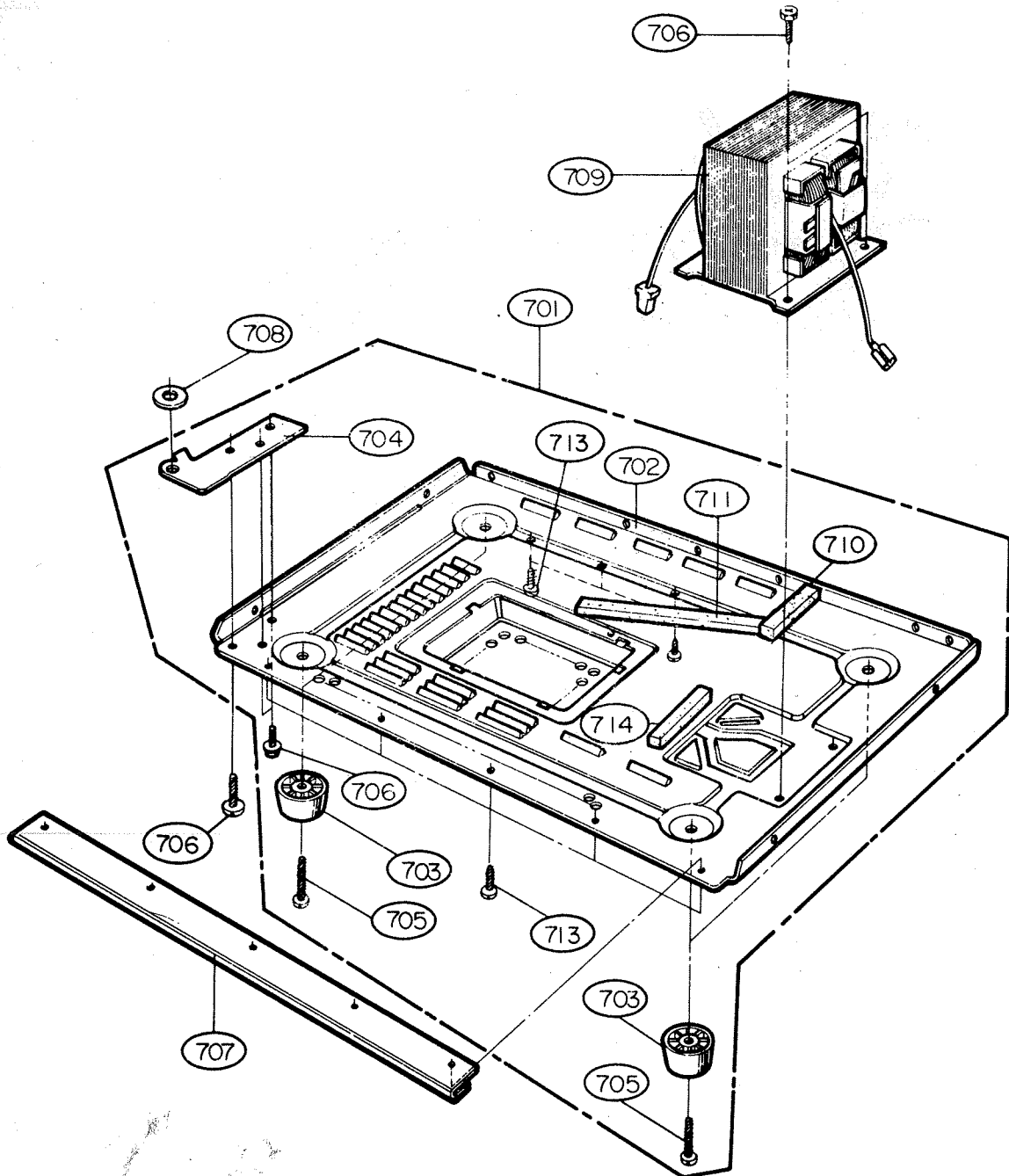
5. OVEN INTERIOR PARTS (2)



6. LATCH PARTS

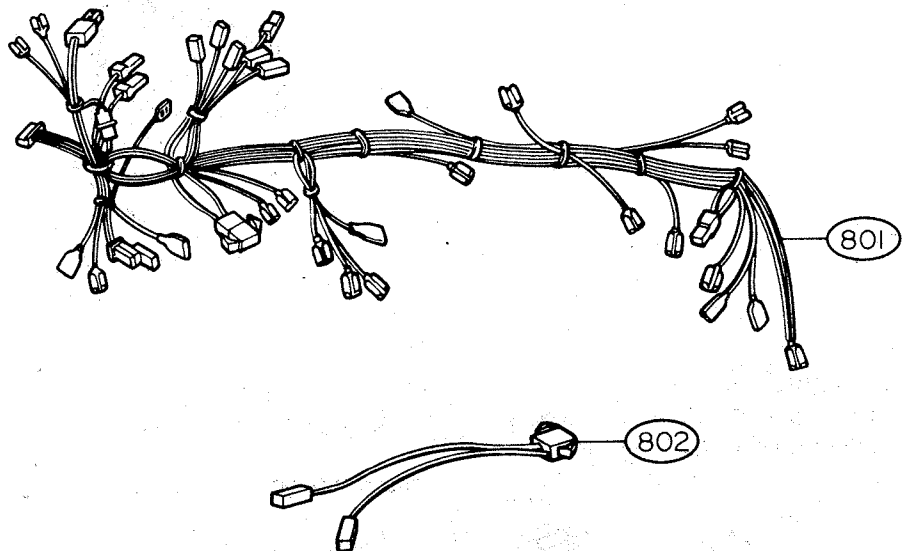


7. BASE PLATE PARTS



8. WIRING HARNESS PARTS

810001-2 (ALPHA) SEAS 2



REPLACEMENT PARTS LIST

CAUTION: The ★ marks in the parts list designate components which have special characteristics important for safety, and should be replaced only with types identical to those in the original circuit or specified in the parts list. Do not risk the safety of the appliance through improper servicing.

KEY NO.	PART NO.	DESCRIPTION	Q'TY	REMARKS
1. DOOR PARTS				
101	0B70897R	DOOR GROSS ASM(MA/WH)	1	S
102	2B72123S	OUTER GLASS	1	
103	3B72911A	DOOR DECO(BK)	1	
104	0B70871A	DOOR PANEL(MA/WH)	1	
105	1B71582C	DOOR FRAME ASM	1	
106	1B71371A	CHOKE COVER	1	
107	4B74139B	FERRITE-H	1	
108	4B74142B	FERRITE-T	1	
109	4B74140B	FERRITE-L	1	
110	4B74141B	FERRITE-U	1	
111	3B71929A	LATCH-U	1	
112	3B71930A	LATCH-L	1	
113	3B72692A	LATCH LEVER	1	
114	4B70898A	LATCH PIN	2	
115	4B73100A	LATCH SPRING	1	
116	TPQ2230J	SCREW (4x6)	3	
2. CONTROL PANEL PARTS				
201	1B71594L	MICOM CONTROLLER(MA/WH)	1	S
202	3B73019K	DIGITRON FILM (MA/WH)	1	S
203	2Q60384E	KEY PAD(MA/WH)	1	S
204	3B72868A	RELEASE BUTTON(MA/WH)	1	S
206	1B71372F	CONTROL PANEL(MA/WH)	1	
207	2Q10400A	PCB SUB ASM	1	EM-2094B
208	3B72153A	RELEASE LEVER	1	S
209	4B73123A	LEVER BASE	1	S
210	4B73340A	LEVER PIN	1	S
211	TTQ2236L	SCREW (4x8)	1	PCB SUB ASM S
	TTQ2236L	SCREW (4x8)	2	LEVER BASE S
3. OVEN CAVITY PARTS				
301	0B70896A	OVEN CAVITY ASM	1	
302	2B70767G	TURNTABLE MOTOR	1	S
303	4B73908A	TURNTABLE SHAFT	1	S
304	4B73904A	OUTLET COVER	1	S
305	4B74483A	G-HEATER HANGER	2	S
306	4B73896A	HINGE PLATE-U	1	S
307	4B72492A	LAMP GLASS	1	S
308	3B72869A	LAMP COVER	1	S
309	3B71543G	BASELESS LAMP	1	S
310	0B70793C	OUT CASE(MA/WH)	1	
311	2B72280B	RACK-C ASM	1	
312	2B72280A	RACK-G ASM	1	
313	2B72301A	TURNTABLE ASM	1	S

KEY NO.	PART NO.	DESCRIPTION	Q'TY	REMARKS
3. OVEN CAVITY PARTS				
314	2B72237A	ROTATING RING ASM	1	S
315	2Q71018G	L.V. TRANS★	1	220V 50Hz S
316	4B73763A	SPECIAL SCREW	1	S
317	TPQ2641J	SCREW (5x12)	2	HINGE PLATE-U S
318	4B72393A	SPECIAL SCREW	2	S
319	4B70572A	SPECIAL SCREW	2	S
320	TTQ2236L	SCREW (4x8)	2	TURNTABLE MOTOR S
	TTQ2236L	SCREW (4x8)	1	BASELESS LAMP S
	TTQ2236L	SCREW (4x8)	1	L.V. TRANS S
	TTQ2236L	SCREW (4x8)	4	OUT CASE S
321	TTQ2236J	SCREW (4x8)	7	OUT CASE S
322	TTQ2239J	SCREW (4x10)	2	S
323	TTQ2241J	SCREW (4x12)	2	MICOM CONTROLLER S
4. OVEN INTERIOR PARTS(1)				
401	1B71183B	HEATER-G ASM	1	220V/1200W S
402	1B71483A	AIR DUCT	1	S
403	3B71807A	MONITOR RESISTOR	1	30Ω/20W S
404	3B72012A	SOLENOID	1	24V S
405	4W50028F	SNAP PIN	1	S
406	4B73907A	DAMPER BRACKET	1	S
407	4B74088A	DAMPER SHAFT	1	S
408	4B74087A	DAMPER CONNECTOR	1	S
409	4B70923A	SOLENOID SPRING	1	S
410	2B71165E	MAGNETRON★	1	2M214-19F S
411	3B70068J	THERMOSTAT-M.G.T	1	N145 S
412	3B70856G	FUSE ★	1	250V 15A S
413	2B72708A	NOISE FILTER ASM	1	S
414	2B72358B	FAN MOTOR	1	220V 50Hz S
415	1B71516A	FAN GUIDE SUB ASM	1	S
416	4B72944B	WIRE HOLDER	1	S
417	2B72279A	FAN	1	S
418	3B71774V	H.V. CAPACITOR★	1	1.0μF 2100V S
419	3B73348F	H.V.D CABLE ASM ★	1	S
420	4B74207A	CAPACITOR BRACKET	1	S
421	3B72892E	H.V. FUSE	1	5.0KV 0.7A S
422	1B71586A	BACK COVER ASM	1	
423	2B72088D	POWER CORD ASM	1	C-4 S
424	4B74584A	THERMO-BRACKET	1	S
425	TTR2236J	SCREW (4x8)	1	H.V.D & CAPA. BRACKET S
	TTR2236J	SCREW (4x8)	1	POWER CORD EARTH S
	TTR2236J	SCREW (4x8)	1	NOISE FILTER ASM S
426	4B73763A	SPECIAL SCREW	4	S

S: SERVICE PARTS

KEY NO.	PART NO.	DESCRIPTION	Q'TY	REMARKS
4. OVEN INTERIOR PARTS(1)				
427	MTC2239J	SCREW (4x10)	2	S
428	TPQ1830J	SCREW (3x6)	2	S
429	MTC1826J	SCREW (3x4)	2	S
430	4B71028A	NUT	2	S
431	TTQ2239J	SCREW (4x10)	1	S
432	4H00056B	TOOTH WASHER	1	POWER CORD EARTH S
	4H00056B	TOOTH WASHER	1	H.V. DIODE S
433	TTQ2236J	SCREW (4x8)	4	BACK COVER ASM S
	TTQ2236J	SCREW (4x8)	3	FAN GUIDE ASM S
434	TTQ2236L	SCREW *4x8)	1	MONITOR RESISTOR S
5. OVEN INTERIOR PARTS(2)				
501	1B71368A	INSULATOR-R	1	S
502	2B72300A	GLASS WOOL-R	1	
503	3B72246M	CUSHION	1	
504	2B72369A	SUPPORTER BRACKET	1	S
505	2B72122A	AIR TUNNEL	1	S
506	1B71367A	INSULATOR-T	1	S
507	3B72542F	THERMOSTAT-OVEN	1	N145 S
508	2B72282A	THERMISTOR	1	S
509	3B72561A	C-FAN	1	S
510	4B73725A	SHAFT RING	1	S
511	1B71187B	C-HEATER ASM	1	220V 1500W S
512	4B73754A	C-HEATER HANGER	1	S
513	1B71513B	CHAMBER SUB ASM	1	S
514	2B72302A	GLASS WOOL-C	1	S
515	1B71278A	CHAMBER WALL	1	S
516	3B72559A	ANTIC-FAN	1	S
517	3B72717A	MOTOR BRACKET	1	S
518	2B72063B	C-MOTOR	1	220V 50Hz S
519	4B72510E	LUG	1	S
520	NHA2200P	NUT	1	S
521	WSB2200P	SPRING WASHER	1	S
522	WPL2600P	PLAIN WASHER	1	S
523	TTQ2236P	SCREW (4x8)	1	C-HEATER HANGER S
	TTQ2236P	SCREW (4x8)	3	CHAMBER WALL S
	TTQ2236P	SCREW (4x8)	3	MOTOR BRACKET S
524	MTC2236P	SCREW (4x8)	2	S
525	TPQ1830J	SCREW (3x6)	1	S
526	NHA2200J	NUT	2	S
527	TTQ2236L	SCREW (4x8)	7	CHAMBER GROSS ASM S
	TTQ2236L	SCREW (4x8)	3	INSULATOR-R S
	TTQ2236L	SCREW (4x8)	1	LUG & INSULATOR-R S
	TTQ2236L	SCREW (4x8)	1	INSULATOR-T S
	TTQ2236L	SCREW (4x8)	1	LUG & INSULATOR-T S

KEY NO.	PART NO.	DESCRIPTION	Q'TY	REMARKS
5. OVEN INTERIOR PARTS(2)				
527	TTQ2236L	SCREW (4x8)	2	AIR TUNNEL S
	TTQ2236L	SCREW (4x8)	1	A.C RELAY S
	TTQ2236L	SCREW (4x8)	3	SUPPORTER BRACKET S
528	4B74175A	C-MOTOR WIRE ASM	1	S
529	3B70211B	A.C RELAY	1	220V S
6. LATCH PARTS				
601	3B72277F	LATCH BOARD-U ASM	1	S
602	3B72278G	LATCH BOARD-L ASM	1	S
603	3B71933A	LATCH BOARD-U	1	S
604	3B73362G	MICRO S/W-PRIMARY	1	S
	3B73362H	MICRO S/W-PRIMARY	1	ALTER R
605	3B71931A	LATCH BOARD-L	1	S
606	3B73360B	MICRO S/W-OVEN LAMP	1	S
	3B70037N	MICRO S/W-OVEN LAMP	1	ALTER R
607	3B70374A	MICRO S/W-MONITOR	1	S
	3B73360F	MICRO S/W-MONITOR	1	ALTER R
608	4B70698A	SWITCH LEVER	1	S
610	4B74858A	RELEASE ROD	1	S
611	TPQ1850J	SCREW (3x25)	2	S
612	TPQ1844J	SCREW (3x16)	1	S
613	4B70188A	SPECIAL SCREW	2	S
614	3B73362A	MICRO S/W-SECONDARY	1	S
	3B73362B	MICRO S/W-SECONDARY	1	ALTER R
615	3B73362G	MICRO S/W-GRILL	1	S
	3B73362H	MICRO S/W-GRILL	1	ALTER R
7. BASE PLATE PARTS				
701	0B70876A	BASE PLATE SUB ASM	1	
702	0B70792A	BASE PLATE	1	
703	4B73900A	LEG	4	
704	4B73895A	HINGE PLATE-L	1	
705	TTQ2241J	SCREW (4x12)	4	S
706	4B73763A	SPECIAL SCREW	3	HINGE PLATE-L S
	4B73763A	SPECIAL SCREW	2	H.V. TRANS S
707	3B70060C	FRONT DECO-B	1	S
708	4B70045A	HINGE WASHER	1	S
709	2B72072B	H.V. TRANS *	1	S
710	3B72246G	CUSHION	1	
711	3B72246H	CUSHION	1	
713	TTQ2236J	SCREW (4x8)	7	S
714	3B72246F	CUSHION	1	
8. WIRING HARNESS PARTS				
801	1B71818A	LEAD WIRE ASM	1	S
802	4B7422A	T.T.M WIRE ASM	1	S

S: SERVICE PARTS