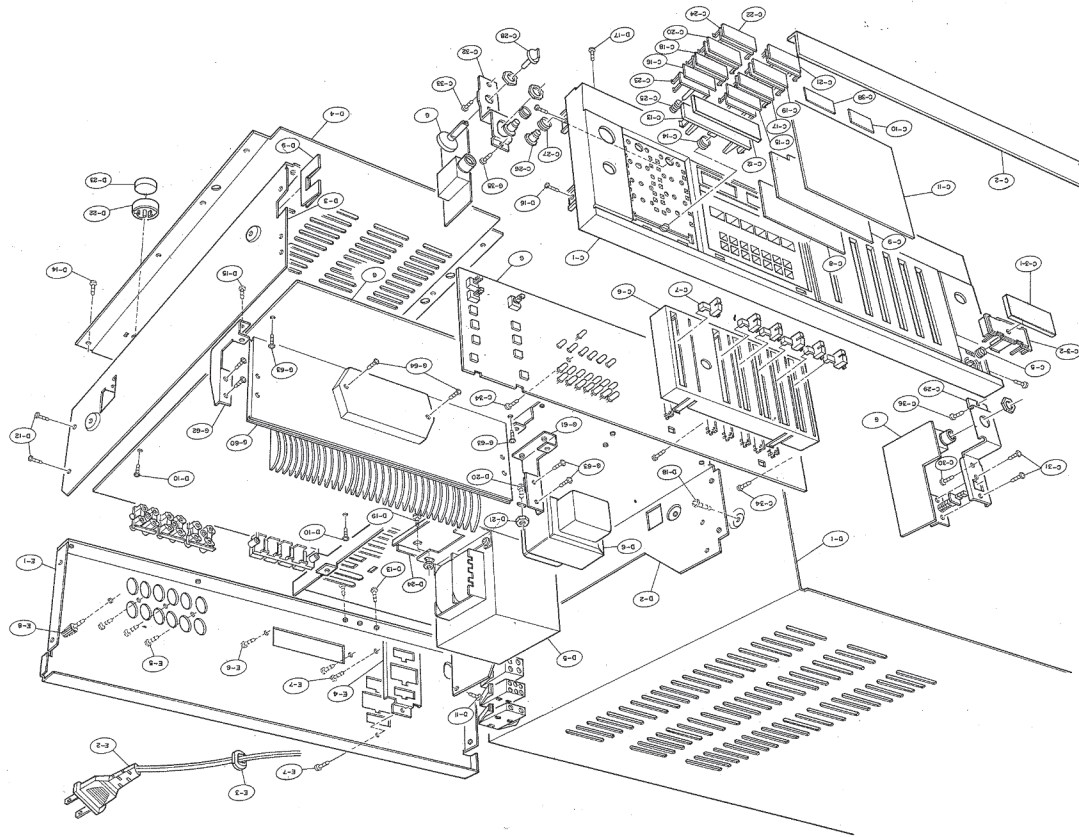


EXPLODED VIEW



REPLACEMENT PARTS LIST

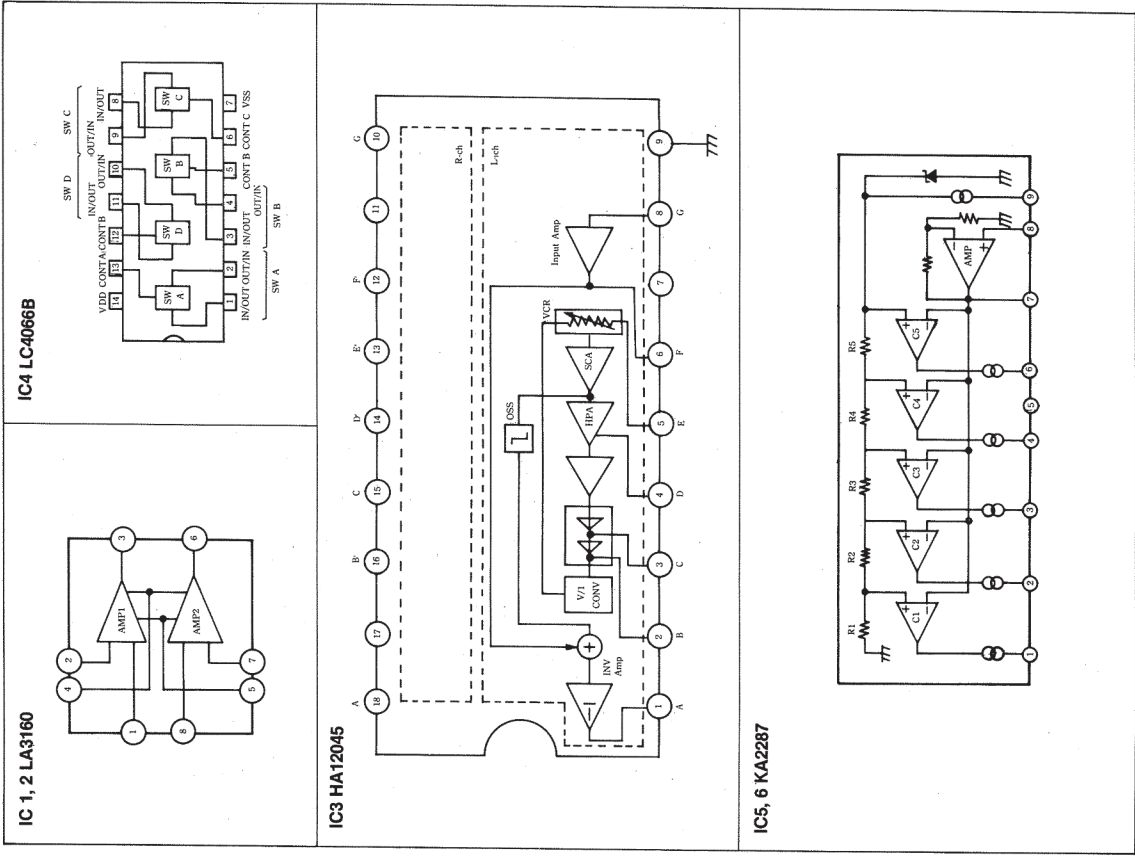
PRODUCT SAFETY NOTICE: Products marked with a Δ have special characteristics important to safety. Before replacing any of these components, read carefully the safety precaution of this service manual, don't degrade the safety of the receiver through improper servicing.

NOTE: "R" marked parts at the remark mean parts which are the serviceable parts. "S" marked parts at the remark mean parts which are the spare parts and the serviceable parts.

• ELECTRICAL

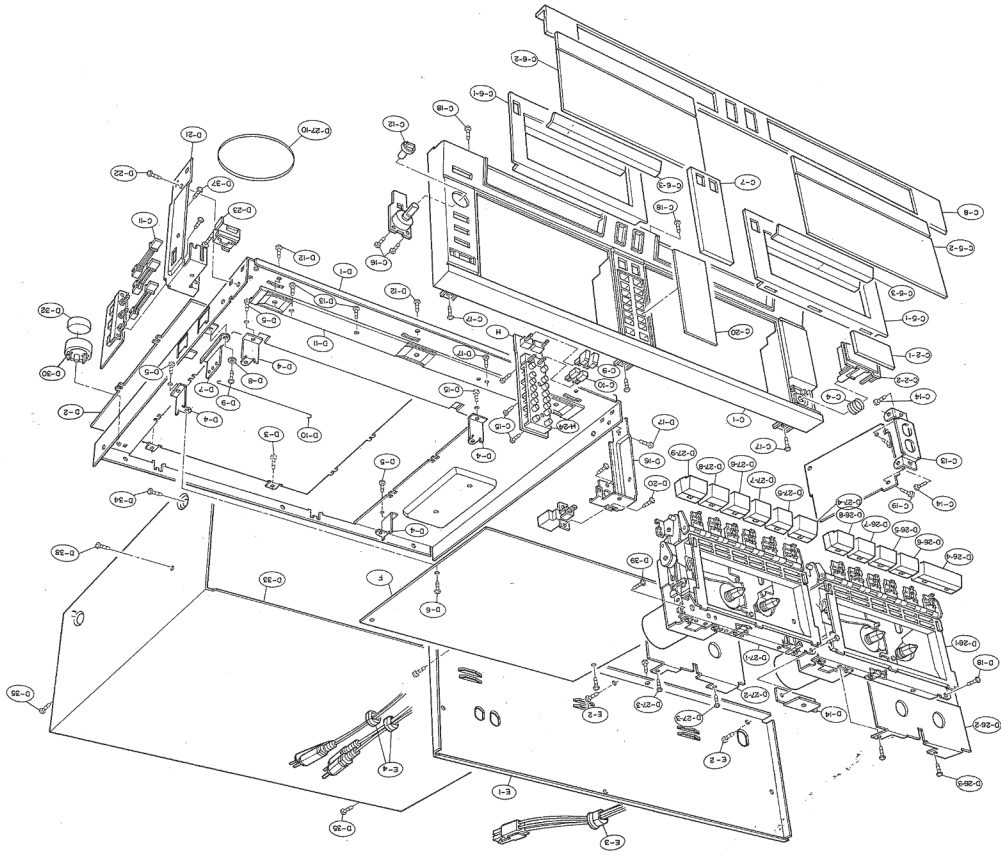
Location No.	Part No.	Description	Remark	Location No.	Part No.	Description	Remark
INTEGRATED CIRCUITS							
IC101	668-051D	KA4558-OP Amp	S	D108-111	652-605B	Switch, IS2472	S
IC102	668-661C	LC7818-Function	S	D201	653-642A	LED, EL-1L1	S
IC103	668-681A	TC9153AP-Electronic Volume	S	D202	653-642B	LED, EL-1L2	S
IC104	668-051D	KA4558-OP Amp	S	D203, 204	652-605B	Switch, IS2472	S
IC105	668-090B	TC9149P-Function	S	D205	653-617A	LED, SLC-26UR RD	S
IC106	668-057A	MC14013BCP-D Flip Flop	S	D207	653-636A	LED, SLR54URC3-M RD	S
IC201	668-051D	KA4558-OP Amp	S	D301-305	653-636D	LED, SLR54G3-P	S
IC202	668-089B	TC9148P-Function	S	D306	653-636A	LED, SLR54URC3-M RD	S
IC301, 302	668-665D	KA2223-5 Dot G EQ	S	D308-317	653-636D	LED, SLR54G3-P	S
IC303, 304	668-673A	KIA7666P-LED Driver	S	D318-321	653-636A	LED, SLR54URC3-M RD	S
IC308	668-051D	KA4558-OP Amp	S	D322-328	652-605B	Switch, IS2472	S
IC401	668-561C	STK4191-Power Modulation	S	D401-403	652-005C	Switch, IS2472	S
XR305	668-090C	SG05-Remocon	S	D404	652-005C	Rect, DS4001	S
TRANSISTORS							
Q101	665-812B	KTC1815-Y	S	D410	654-724C	Zener, DZ19B	S
Q102	665-813C	KTA1015-GR	S	D501	652-611A	Rect, KBP0604	S
Q103	665-812B	KTC1815-Y	S	D502	652-013A	Rect, W0050M	S
Q107	665-812B	KTC1815-Y	S	D503, 504	652-005C	Rect, DS4001	S
Q108	665-812B	KTC1815-Y	S	D505, 506	654-724D	Zener, DZ19B	S
Q151	665-812B	KTC1815-Y	S	D512	654-723A	Zener, DZ5.6B	S
Q152	665-813C	KTA1015-GR	S	D523	652-005C	Rect, DS4001	S
Q153	665-812B	KTC1815-Y	S	MISCELLANEOUS			
Q201	665-814B	KTC1959-Y	S	VR301-305	612-610W	VR, 50KW-G EQ	S
Q202	665-813C	KTA1015-GR	S	VR306	612-610V	VR, 250KW-Balance	S
Q203	665-814B	KTC1959-Y	S	611-649I	VR, 100KB-Mic Mixing	VR, KH10902	S
Q301-303	665-812B	KTC1815-Y	S	558-908A	SW, KH10902	SW, SEA12A-Hi Filter	R
Q401-403	666-421A	KTA949-0	S	554-633A	SW, SEA12A-Meter	SW, SEA12A-Meter	R
Q404, 405	665-812B	KTC1815-Y	S	554-624A	SW, SUN12-Power	SW, SUN12-Power	S
Q406	665-834A	KTC2229-0	S	572-134A	Jack, D = 6.4-Mic	Jack, D = 6.4-Mic	S
C501	664-602C	KTBB34-Y	S	572-059D	Jack, Block S-437P	Jack, Block S-437P	R
C502	665-708B	KTD526-Y	S	576-002A	Relay, VS24MB-Power On/Off	Relay, VS24MB-Power On/Off	R
C503, 504	665-814B	KTC1959-Y	S	561-100B	Speaker Terminal	Speaker Terminal	R
DIODES							
D102-106	652-505B	Switch, IS2472	S	595-512A	Fuse, 250V 1.6V	Fuse, 250V 1.6V	R
				596-001C	Fuse Clip 5 x 20	Fuse Clip 5 x 20	R
				616-020B	Resonator Ceramic CSB455	Resonator Ceramic CSB455	R
				636-603B	Coil, Choke 2.7uH	Coil, Choke 2.7uH	R

IC INTERNAL DIAGRAM



EXPLODED VIEW

• CABINET



REPLACEMENT PARTS LIST

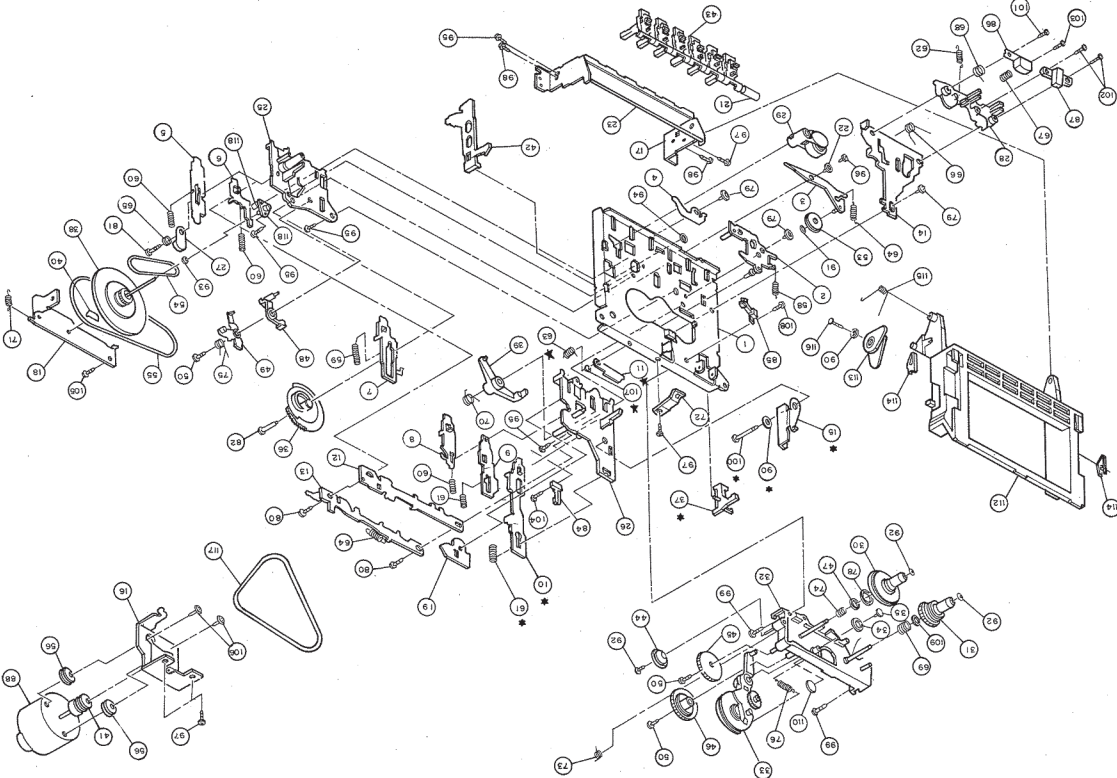
PRODUCT SAFETY NOTICE: Products marked with a Δ have special characteristics important to safety. Before replacing any of these components, read carefully the safety precaution of this service manual, don't degrade the safety of the receiver through improper servicing.

NOTE: "R" marked parts at the remark mean parts which are the serviceable.
 "S" marked parts at the remark mean parts which are the spare parts and the serviceable parts.

• ELECTRICAL

Location No.	Part No.	Description	Remark	Location No.	Part No.	Description	Remark
INTEGRATED CIRCUITS							
IC1, 2	668-145A	LA3160, Pre Amp	S	TR622, 623	665-812B	KTD1815-Y	S
IC3	668-664A	HA12045-Dolby	S	TR624, 625	665-812B	KTA1015-Y	S
IC4	668-662A	LC4066B-Analog Switch	S	TR626-630	665-812B	KTC1815-Y	S
IC5, 6	668-666D	KA2287-5 Dot LED Door	S	TR631	665-813B	KTA1015-Y	S
				TR632-642	665-815-Y	KTC1815-Y	S
TRANSISTORS							
TR101, 102	665-812B	KTC1815-Y	S	D301, 302	652-605B	Switch, IS2742	S
TR104-107	665-812B	KTC1815-Y	S	D601-607	652-605B	Switch, IS2472	S
TR109	662-606C	MPS9635C	S	D610-613	652-605B	Switch, IS2472	S
TR110	665-812B	KTC1815-Y	S	LD1-4	653-636B	LED, SLR54GC3-M GN	S
TR111, 112	665-812B	KTC1815-Y	S	LD5, 6	653-636A	LED, SLR54JRC3-M RD	S
TR113	665-812B	KTC1815-Y	S	LD7-10	653-636B	LED, SLR54GC3-M GN	S
TR201, 202	665-812B	KTC1815-Y	S	LD11-16	653-636A	LED, SLR54JRC3-M RD	S
TR204-207	665-812B	KTC1815-Y	S	ZD501	654-724F	Zener, DZ24B	S
TR209	662-606C	MPS9635C	S	ZD502	654-724C	Zener, DZ13B	S
TR210	665-812B	KTC1815-Y	S	ZD601	654-724E	Zener, DZ18B	S
TR211	665-708B	KTD526-Y	S	BD501, 502	652-013A	Rect, W005M	S
TR212	665-812B	KTC1815-Y	S	COILS			
TR213	665-812B	KTC1815-Y	S	L101, 102	638-601C	Coil, Trap	S
TR301, 302	665-887C	KTC2236AY	S	L201, 202	638-601C	Coil, Trap	S
TR303	665-708B	KTD526-Y	S	L301	634-608C	Coil, Bias Osc.	S
TR304	665-812B	KTD526-Y	S	L401-403	638-601C	Coil, Trap	S
TR402	665-812B	KTC1815-Y	S	L451-453	638-601C	Coil, Trap	S
TR403-405	665-812B	KTC1815-Y	S	L601-602	638-003G	Coil, padding 1uH	S
TR408	665-812B	KTC1815-Y	S	SWITCHES AND VOLUMES			
TR452	665-816B	KTC732TM-BL	S	SW1	552-608A	Switch, Slide CL114K	S
TR453-455	665-812B	KTC1815-Y	S	SW2	554-636A	Switch, Push, SJUY31A	S
TR458	665-812B	KTC1815-Y	S	SW3-6	554-635A	Switch, Push, SPH121A	S
TR501, 502	665-708B	KTD526-Y	S	R109	613-002G	VR, Semi-Fixed 47KB	S
TR608, 609	665-812B	KTA1015-Y	S	R128, 129	613-002G	VR, Semi-Fixed 47KB	S
TR611, 612	665-712A	K7A966A-Y	S	R149	611-640A	VR, 100KA	S
TR613	665-812B	KTC1815-Y	S	R209	613-002G	VR, Semi-Fixed 47KB	S
TR614	665-812B	KTC1815-Y	S	R228, 229	613-002G	VR, Semi-Fixed 47KB	S
TR615, 616	665-812B	KTC1815-Y	S	R249	611-640A	VR, 100KA	S
TR618	665-812B	KTC1815-Y	S	R301, 302	613-002E	VR, Semi-Fixed 150KB	S
TR620	665-812B	KTC1815-Y	S	R401, 451	613-002G	VR, Semi-Fixed 47KB	S
TR621	665-813B	KTA1015-Y	S				

• DECK MECHANISM



NOTE: 1. Record play back deck mechanism is consisted of all of parts and play back mechanism is consisted of the others except expressing with "★".
 2. Excluded parts in the parts list are not available as replacement parts.