

<i>SPARE PARTS LIST</i>

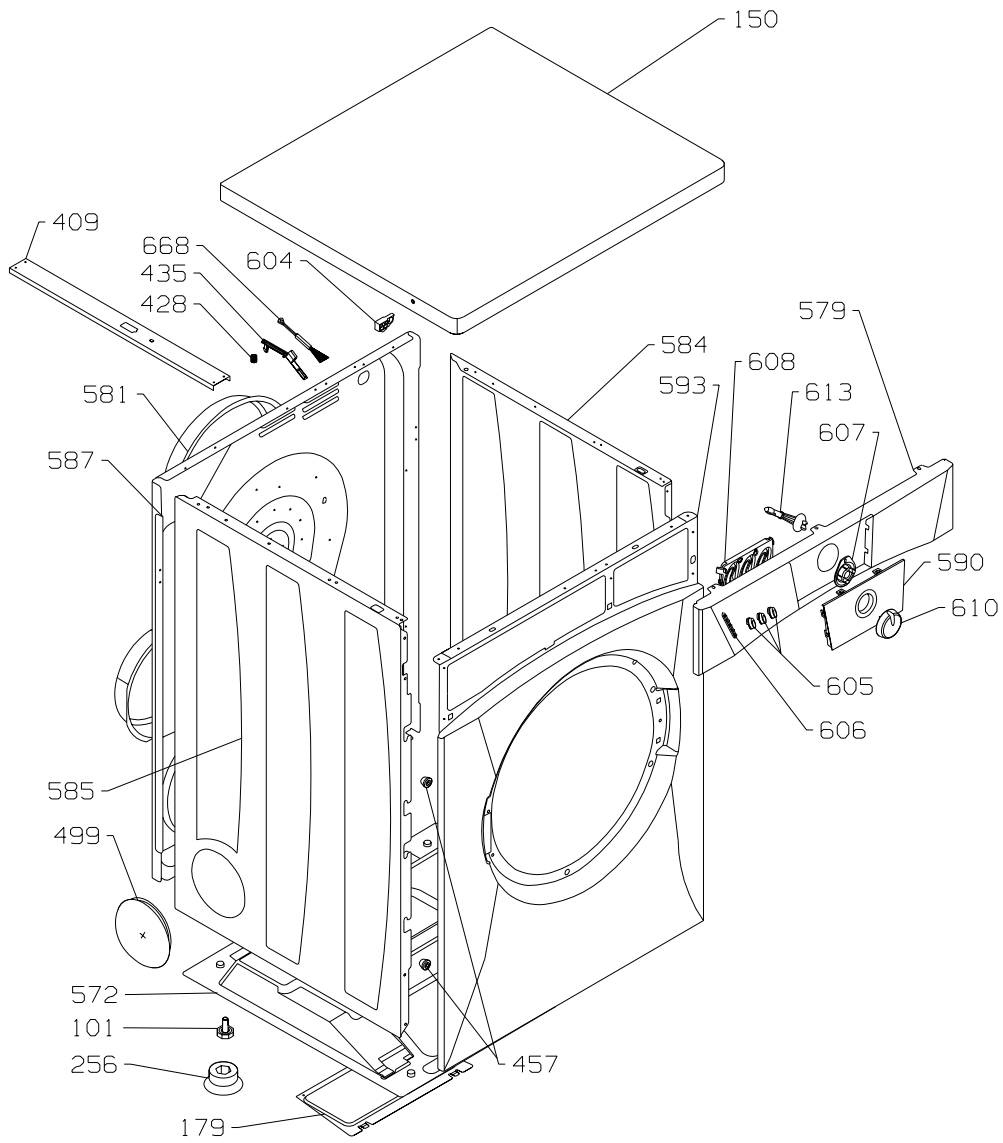
Spare parts list 0210302

Last revision: 2007-07-03

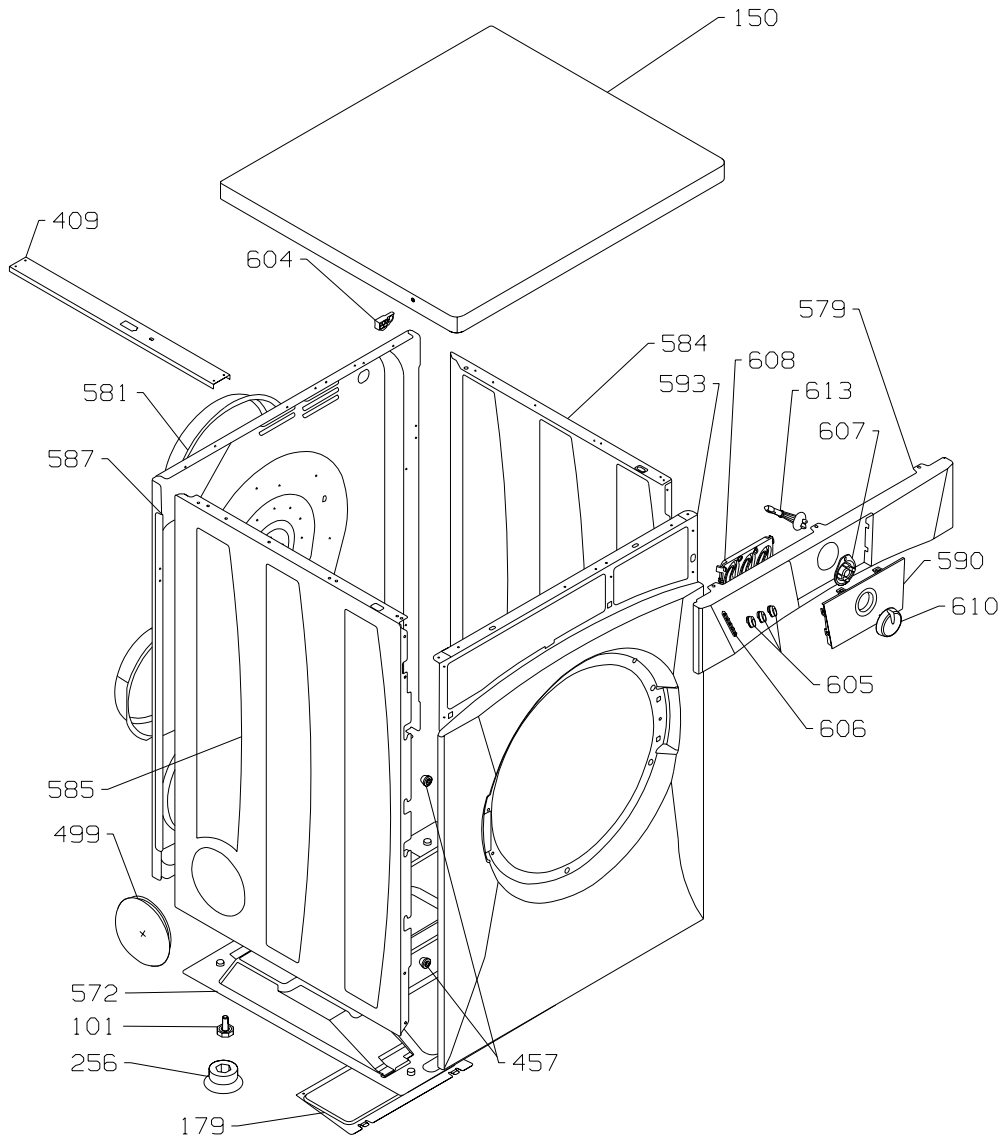
K101869

WASHING MACHINES AND TUMBLE DRYERS

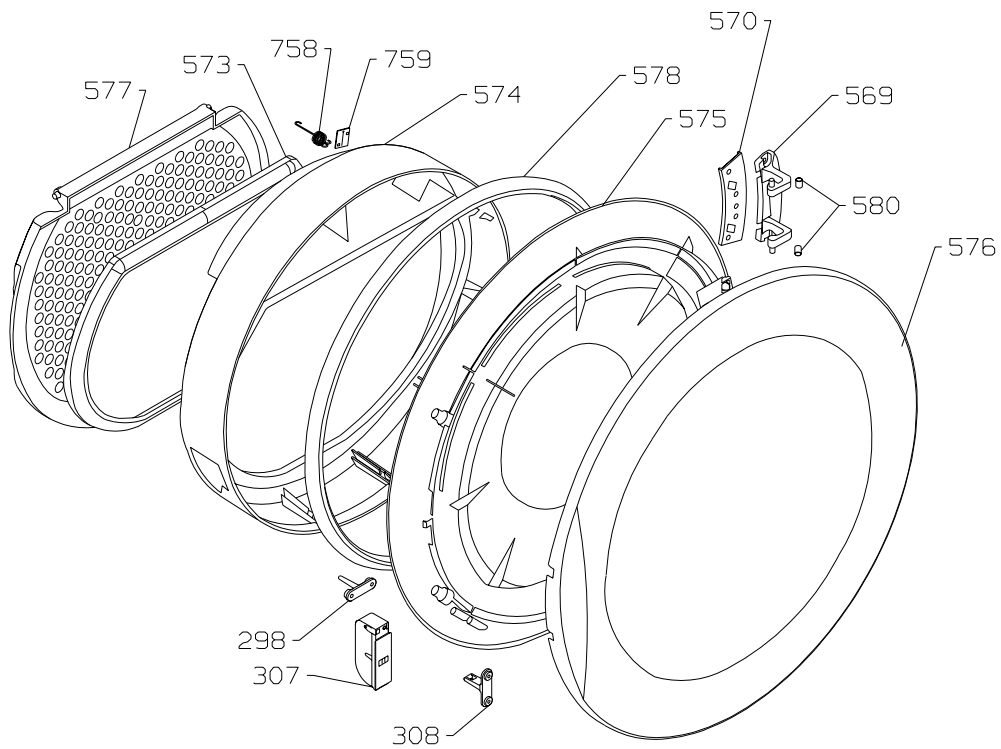
Tip	Model	Art. Number	Brand name	Modification:
SPO1	D61112	101869	GORENJE	Jun-2004



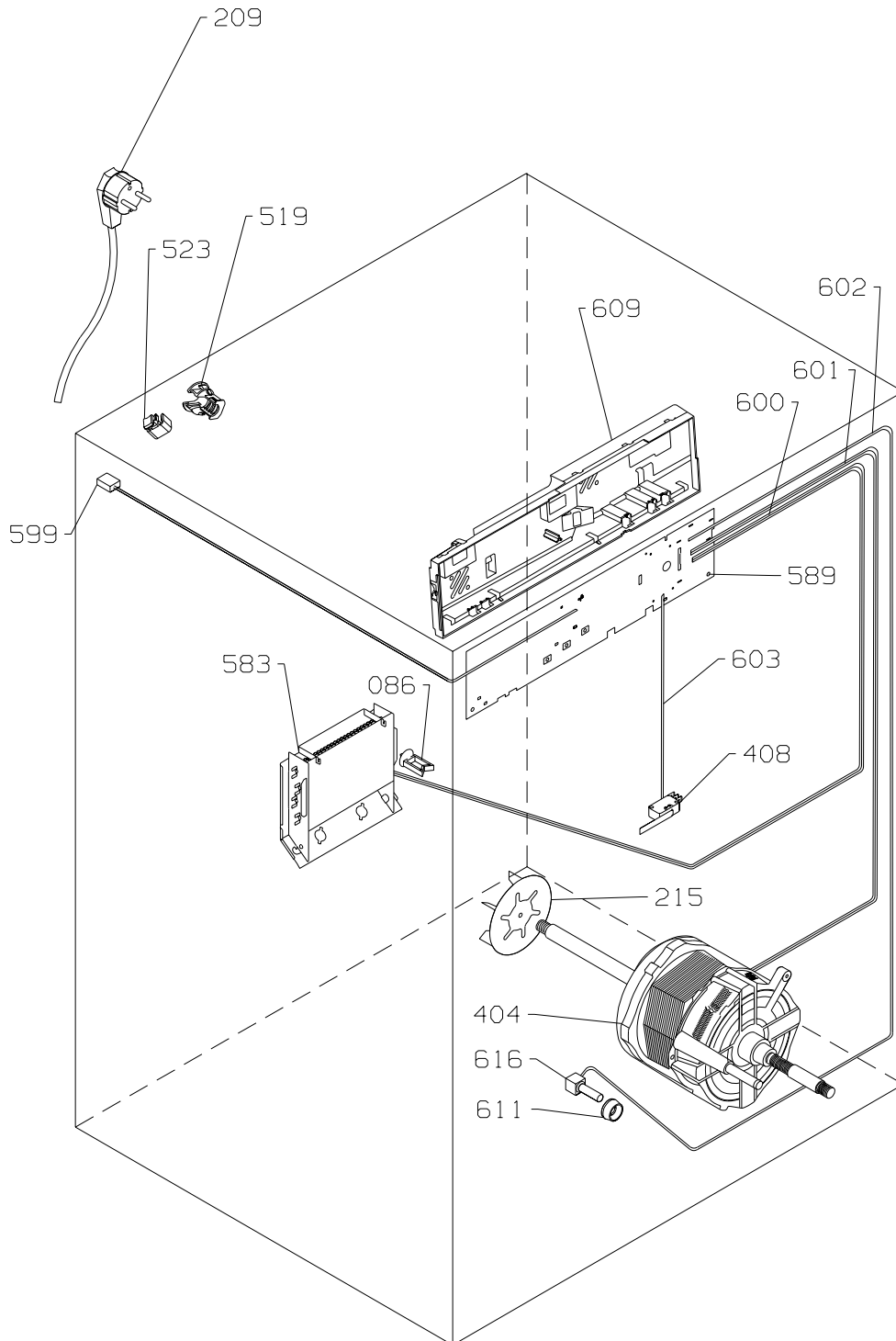
021B2
BEFORE
52730001

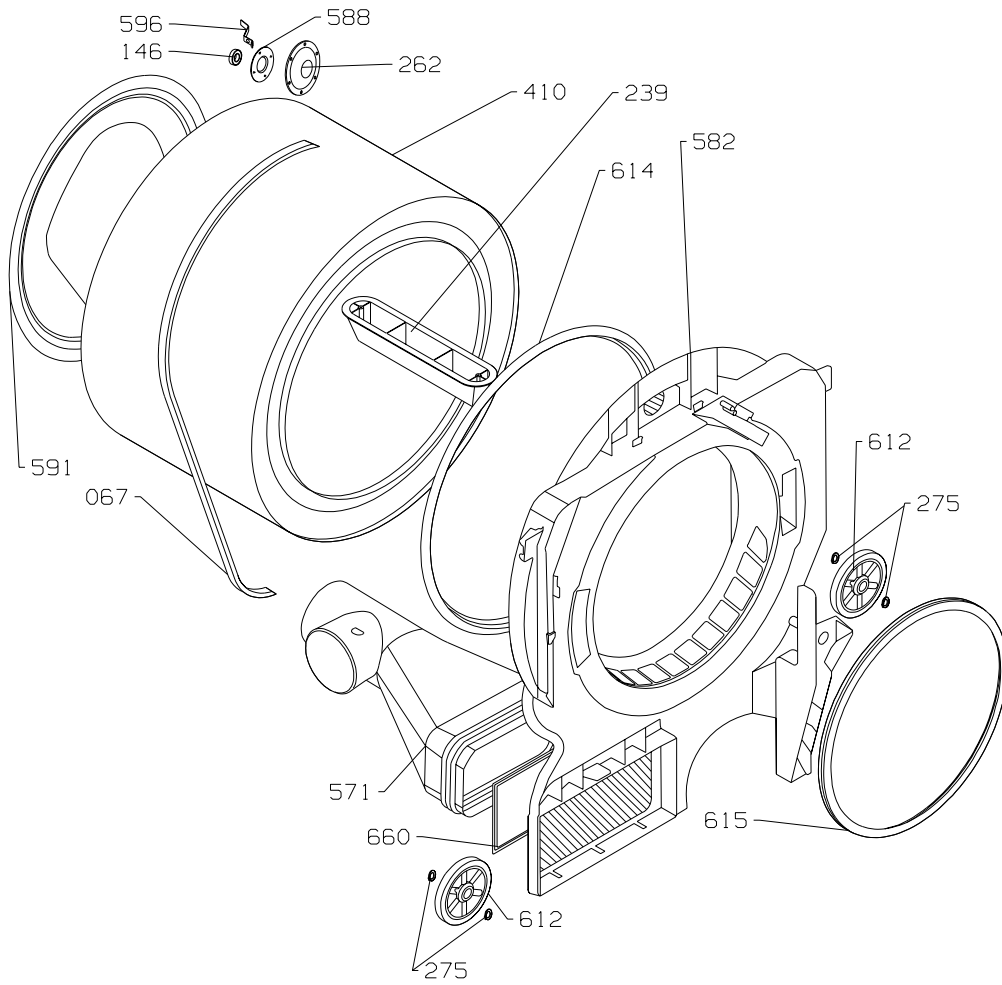


021B2
AFTER
52730001

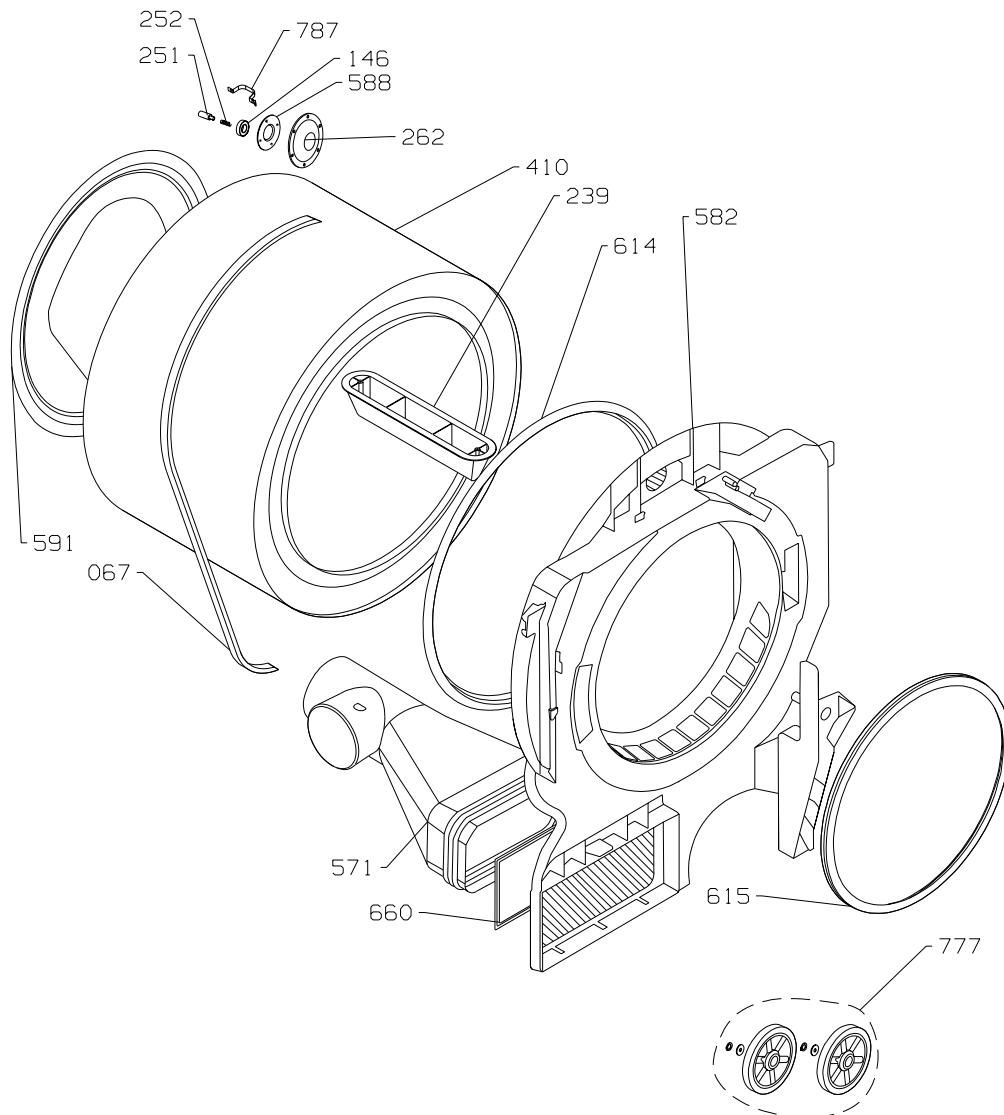


02216





02622
BEFORE
52730001



02622
AFTER
52730001

Position	Ident	Name of spare part	Number of	Validity
067	104265	BELT	1	
086	547104	CLAMP	7	
101	619600	ADJUSTABLE FOOT	4	
146	660207	BEARING	1	
150	581188	COVER	1	
179	546240	BOTTON COVER	1	
209	104644	CABLE AND PLUG	1	
215	581244	VENTILATOR	1	
239	590552	DRUM RIB	2	BEFORE 15.6.07
239	183273	DRUM RIB	2	AFTER 15.6.07
251	387331	EARTHENING PIN	1	AFTER 52730001
252	387330	SPRING	1	AFTER 52730001
256	619601	PAD SUCTION RUBBER	4	
262	581145	FLANGE WITH SHAFT	1	BEFORE 52730001
262	129065	FLANGE WITH SHAFT	1	AFTER 52730001
298	607626	SWITCH BUNG	1	
307	607636	DOOR STUCKER	1	
308	607628	DOOR STUCKER BUNG	1	
404	581283	ELECTOMOTOR	1	
408	581700	SWITCH	1	
409	123645	PROFILE	4	
410	581247	DRUM	1	BEFORE 52730001
410	131545	DRUM	1	AFTER 52730001
410	170210	DRUM	1	AFTER 64230001
410	183274	DRUM	1	AFTER 15.6.07
428	609859	COLLECTOR SUPPORT SPRING	1	BEFORE 52730001
435	609867	COLLECTOR SUPPORT	1	BEFORE 52730001
457	620991	PLUG	4	BEFORE 64030001
457	169088	PLUG	4	AFTER 64030001
499	617221	SIEVE COVER	1	
519	667400	INITIATION SLEEVE	1	
523	667401	CLIP FOR INITIATION SLEEVE	1	
569	581113	DOOR HINGE	1	
570	581131	HINGE PLATE	1	
571	581112	HOSE	1	
572	581285	BOTTOM	1	
573	581102	FILTER	1	
574	581100	FILTER CASE	1	
575	581106	DOOR COVER-INNER	1	
576	113519	FRAME OF GLASS DOOR	1	
577	581101	FILTER COVER	1	

Position	Ident	Name of spare part	Number of	Validity
578	581103	DOOR SEAL	1	
579	581656	FRONT PANEL	1	
580	581115	HINGE BUSHING	2	
581	581159	REAR PANEL COVER	1	
582	581120	AIR DIRECTER	1	
583	103735	HEATER	1	
584	581154	PANEL	1	
585	581151	PANEL	1	
587	581157	REAR WALL	1	
588	581147	BEARING HOUSING	1	
589	581234	RUDDER-CONTROL UNIT	1	BEFORE 15.6.07
589	183504	RUDDER-CONTROL UNIT	1	AFTER 15.6.07
590	581455	FRONT PANEL INSERTED PIECE	1	
591	581164	DRUM GASKET-REAR	1	
593	581137	FRONT WALL	1	
596	581146	EARTHENING STRIP	1	BEFORE 52730001
599	581206	WIRING HARNESS POWER SUPPLY	1	
600	118553	WIRING HARNESS HEATER	1	
601	118552	WIRING HARNESS ELECTRICMOTOR	1	
602	118555	WIRING HARNESS TEMPERATURE SENSOR	1	
603	118554	WIRING HARNESS DOOR SWITCH	1	
604	581135	COVERSUPPORT	4	
605	581267	KEY	3	
606	581277	PHAZE DISPLAY	1	
607	581281	ILLUMINATION PLATE	1	
608	581272	KEY SUPPORT	1	
609	581201	ELECTRONIC SUPPORT	1	
610	581266	CONTROL KNOB	1	
611	581189	INITIATION SLEEVE	1	
613	581268	BUTTONJOINT	1	
614	581126	DRUM GASKET-FRONT	1	
615	581104	WASHER	1	
616	581213	TEMPERATURE SENSOR	1	
660	106941	AIR DIRECTER SEAL	1	
668	110382	DRUM EARTHENING BRUSH	1	BEFORE 52730001
758	115105	SPRING	1	
759	117221	PROTECTIVE RUBBER	1	
777	128961	SUPPORT WHEEL	2	
787	129064	EARTHENING STRIP	1	AFTER 52730001