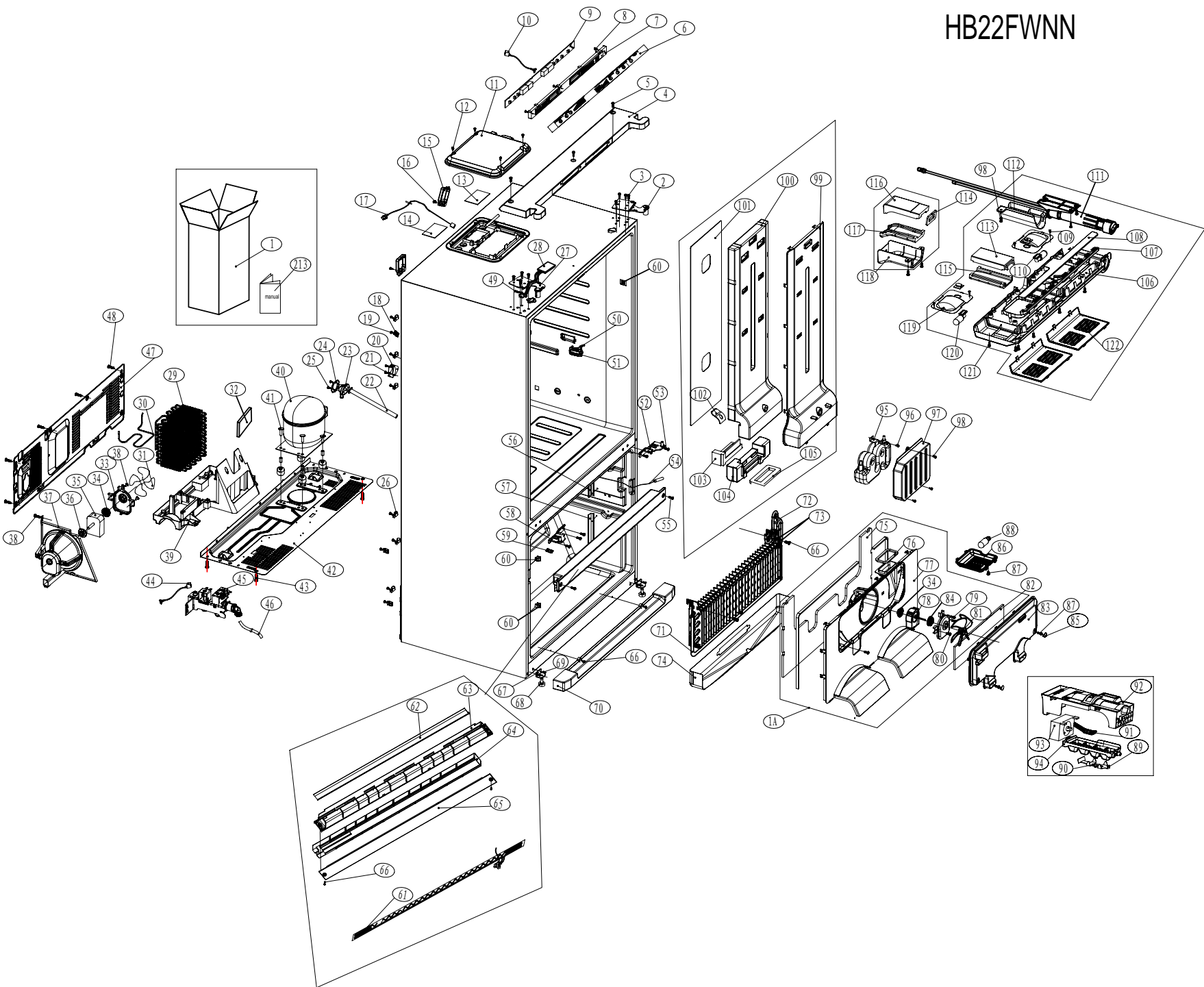
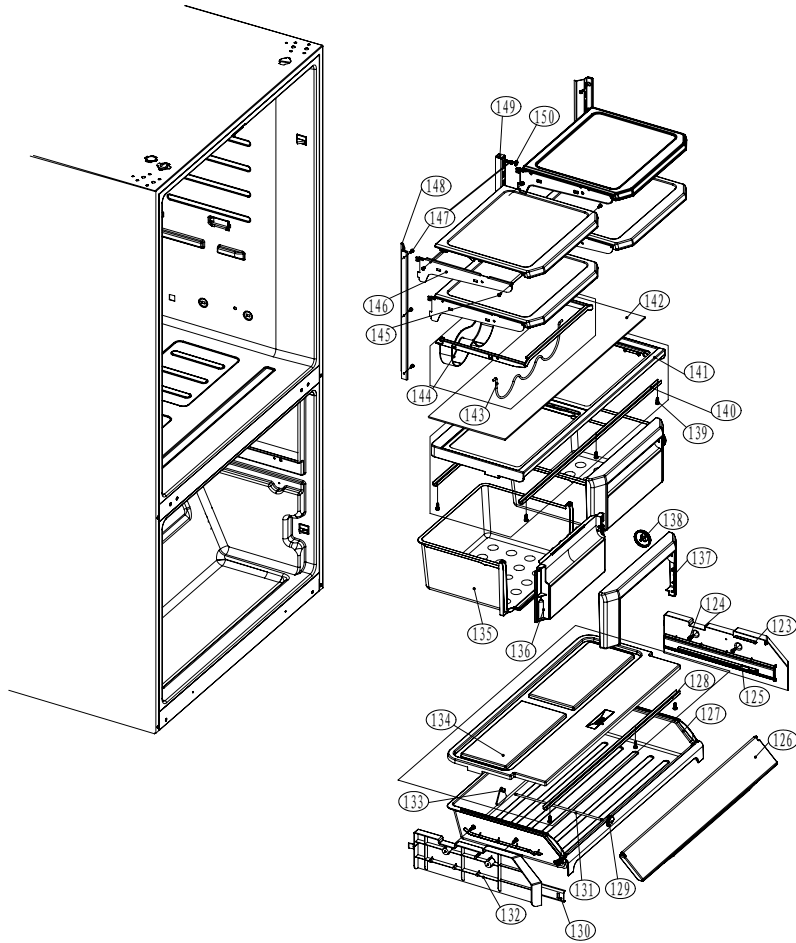


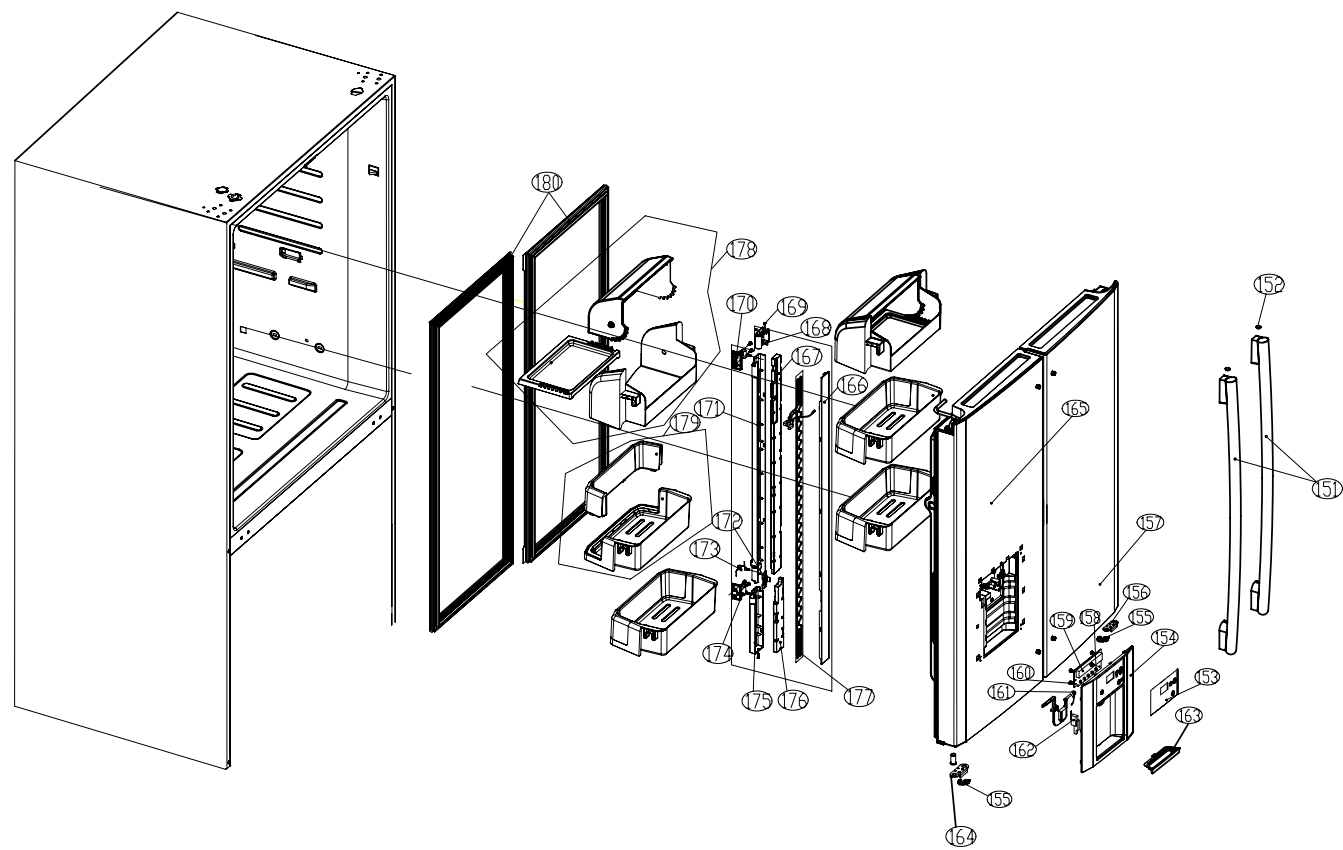
HB22FWNN



# Shelves and drawers



## REF compartment



# FRZ compartment

