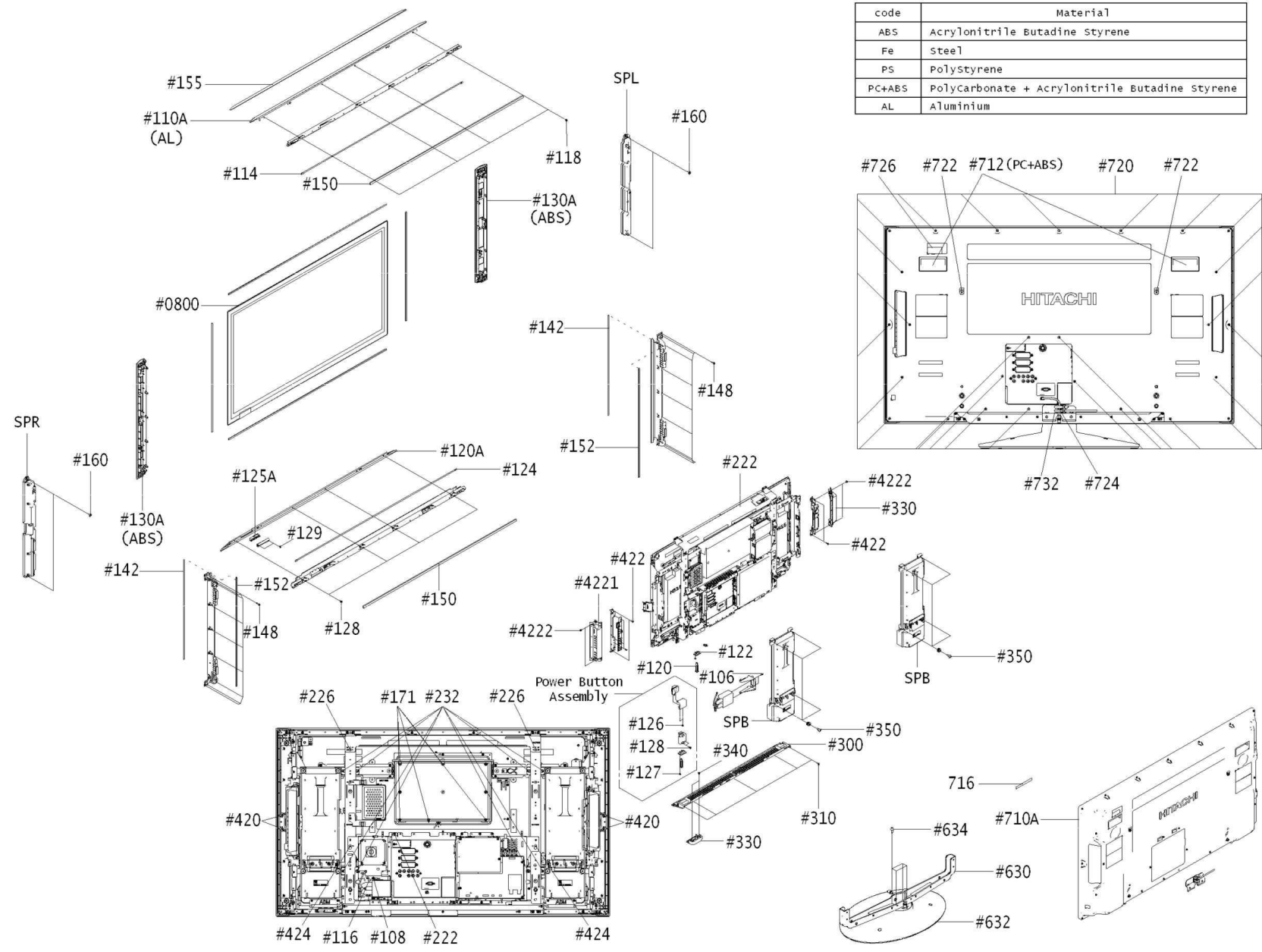


code	Material
ABS	Acrylonitrile Butadine Styrene
Fe	Steel
PS	Polystyrene
PC+ABS	PolyCarbonate + Acrylonitrile Butadine Styrene
AL	Aluminium



SM 011

ASSEMBLY DIAGRAM

**HITACHI**