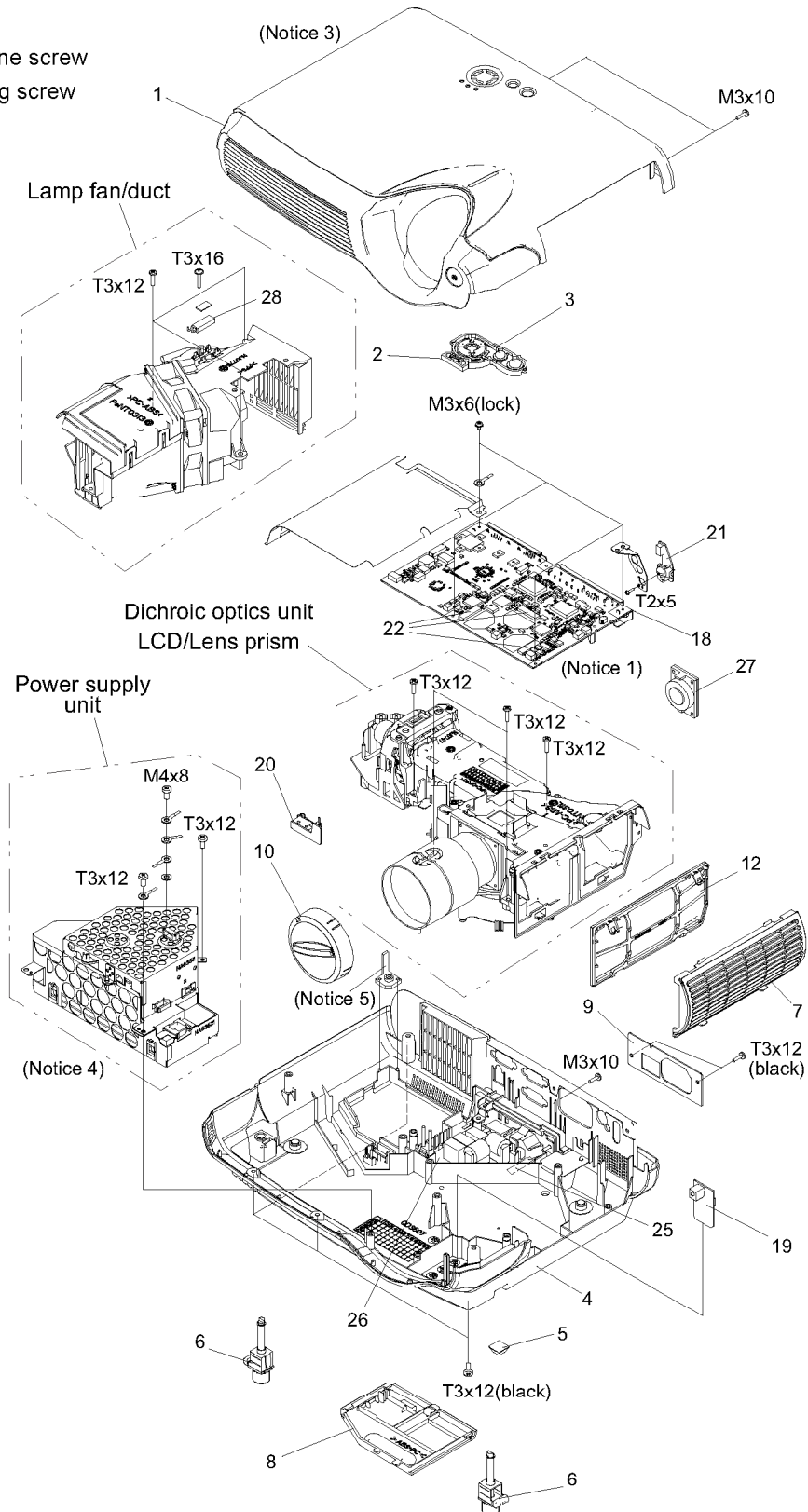


CP-S235 (C10SM2)

8. Disassembly diagram

M: Machine screw
T: Tapping screw



CP-S235 (C10SM2)

M: Machine screw

T: Tapping screw

