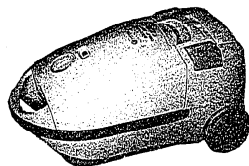




TG	No. 558E
<b>CV-4700</b> <b>CV-4800</b>	

### CONTENTS

1. ATTACHMENTS .....	2
2. REPLACEMENT INSTRUCTIONS .....	2
3. CARE OF DUST BAG .....	4
4. CARE OF AIR FILTERS .....	5
5. FINAL TEST .....	5
6. GENERAL INSTRUCTIONS FOR OPERATION .....	6
7. PARTS LIST .....	7
7.1 240V, SIEMENS PLUG TYPE .....	7
7.2 240V, NZ PLUG TYPE .....	11
7.3 230V, SIEMENS PLUG TYPE .....	15
7.4 230V, VDE PLUG TYPE .....	19
7.5 220V, SIEMENS PLUG TYPE .....	23
7.6 127V, EDISON PLUG TYPE .....	27
7.7 110V, EDISON PLUG TYPE .....	31
8. CONSTRUCTION DIAGRAM AND CONNECTION DIAGRAM .....	35



### SPECIFICATIONS

Rated voltage	: AC 240V, 50-60Hz (CV-4700), 50Hz (CV-4800)
	AC 230V, 50-60Hz " , 50Hz "
	AC 220V, 50-60Hz " , 50Hz "
	AC 127V, 50-60Hz " , 60Hz "
	AC 110V, 50-60Hz " , 60Hz "
Rated input	: 1,000W
Motor	: Commutator motor
Fan	: Turbo type 1 stage
Speed	: 27,000 rpm
Insulation class of materials	: Class E
Maximum air flow (without attachment)	: 2.0 m <sup>3</sup> /min (70 cu. ft/min)
Maximum static pressure	: 1,700 mmAq.
Weight (without attachment)	: 4.8 kg (10.6 lbs) (CV-4700)
	4.9 kg (10.8 lbs) (CV-4800)
Dimensions	: 462mm (L) × 266mm (W) × 212mm (H)

SPECIFICATIONS AND PARTS ARE SUBJECT TO CHANGE FOR IMPROVEMENT

## VACUUM CLEANER

JANUARY 1992 TAGA WORKS

## 1. ATTACHMENTS

Flexible hose (crush proof hose) .....	1
{ Flexible crush proof hose .....	1
{ Curved joint pipe .....	1
{ Joint pipe .....	1
Rug and floor tool .....	1
Extension pipe (CV-4700 only) .....	2
Extension pipe (CV-4800 only) .....	2
Extension pipe (with pipe hook) (CV-4800 only) .....	1
Dusting brush .....	1
Crevice nozzle .....	1

## 2. REPLACEMENT INSTRUCTIONS

### 2.1 HOW TO REPLACE THE POWER CONTROL PWB ASSEMBLY AND TRIAC PWB ASSEMBLY (CV-4800 only)

- (1) Undo clamp and remove the dust case assembly (39), and open the pocket cover (41), and remove the filter case (42).
- (2) Take off five tapping screws 4x25 (48), then the upper case assembly can be removed.
- (3) Take out the power control PWB assembly (74) from the motor cover assembly.
- (4) Release the triac PWB (73) assembly by taking off the FLS cap assembly (22) from the lower case assembly (1).

### 2.2 HOW TO REPLACE THE CORD REEL ASSEMBLY, MOTOR ASSEMBLY AND THE SWITCH

- (1) Undo clamp and remove the dust case assembly (30) and open the pocket cover (41), and remove the filter case (42).
- (2) Take off five tapping screws 4x25 (48), then the upper case assembly can be removed.
- (3) Take off two tapping screws 4x25 (39), then the motor cover assembly (37) can be removed.
- (4) The cord reel assembly can be removed from the lower case assembly (1).

**CAUTION!** If the cord reel assembly is taken out of the lower case assembly without holding the slip ring supporter assembly (22), the slip ring supporter rotates suddenly and the damage or disconnection is caused since the cord reel is prewound. So, pay full attention to handling.

- (5) Take out the motor assembly (6).
- (6) Pull out the switch (38) from the motor cover assembly.

### 2.3 HOW TO REPLACE THE CARBON BRUSH ASSEMBLY

- (1) Take off four screws M4x14 (8), then the carbon brush assemblies (7) can be removed.
- (2) Put the new carbon brush assembly (7) in place, and release the carbon brush by pushing up the holder pin toward the motor center.
- (3) Connect the lead wire with the terminal on carbon brush assembly.

#### CAUTION!

- (1) When replacing carbon brush assemblies, be sure to replace the worn-out carbon brush assembly with new one on both sides.
- (2) Be sure to connect the lead wire in the proper way as shown in Fig. 1, 2, 3.

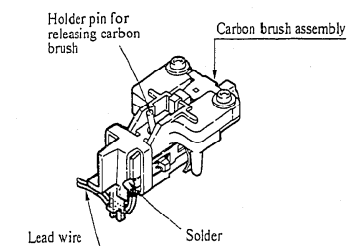


Fig. 1

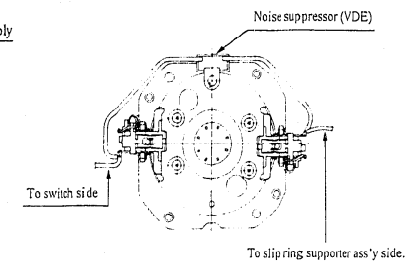


Fig. 2 (CV-4700)

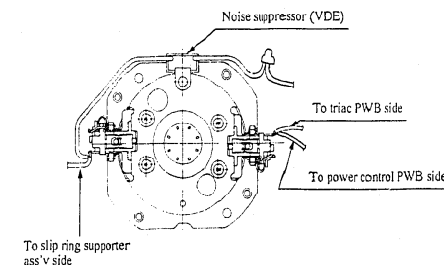


Fig. 3 (CV-4800)

## 2.4 HOW TO REPLACE THE DUST INDICATOR ASSEMBLY

- (1) Take off three tapping screws 4×16 (33), the inner cover (33) can be removed.
- (2) Take out the dust indicator (35).

## 2.5 HOW TO DISASSEMBLE THE RUG AND FLOOR TOOL

- (1) Take off six tapping screws 4×14 (59).
- (2) Remove the base.
- (3) Now the bumper (62), two roller assemblies (63), the brush (B) (64) and the suction keeper (66) can be removed. Also, the curved pipe (55) can be taken off.

## 2.6 HOW TO REPLACE THE HOSE

- (1) You can separate the curved pipe from the hose.
- (2) Pull the hose pressing two claws clicked into the holes on both sides of the curved pipe assembly.
- (3) Remove the seal ring and the stopper ring from the hose end by turning the seal ring (left-handed screw).
- (4) As to removing the hose connector (B) assembly (65) from the other side's hose end, do it as same as the curved pipe assembly removal.

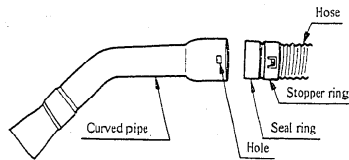


Fig. 4

## 3. CARE OF DUST BAG (CLOTH BAG TYPE ONLY)

Once or twice a year, to ensure good suction power, after disposing of the dust, clean the dust bag using the following method.

- (1) Wash the dust bag in warm water or a neutral detergent. If detergent is used, ensure the dust bag is thoroughly rinsed in clean water.
- (2) Allow the dust bag to dry naturally.

## 4. CARE OF AIR FILTERS

### 4.1 MOTOR PROTECTION FILTER

Your vacuum cleaner features air filter to protect the motor.

Once or twice a year, or when they become visibly soiled, clean up the air filter.

- (1) Remove the filter as shown in Fig. 5 and wash in warm water.
- (2) After washing the filter, dry thoroughly away from direct sunlight and fit them back into the cleaner.

### 4.2 HYGIENIC AIR FILTER (CV-4800 only)

Your vacuum cleaner has a highly efficient electrostatic exhaust air filter (clean filter (43)) to trap even the finest dust particles in the exhaust air.

Once or twice a year, when the filter gets dirty, change the filter as follows.

- (1) Remove the old filter from the cage as shown in Fig. 6, and throw it away.
- (2) Position the new filter in the cage, and replace the cage in the cleaner.

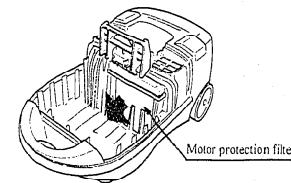


Fig. 5

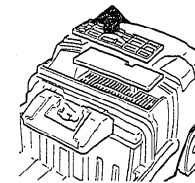


Fig. 6

## 5. FINAL TEST

- (1) After reassembly, run the cleaner for at least 15 minutes without joining the hose to its main body and be certain that there is no abnormal vibration.
- (2) Measure the insulation resistance between the power supply plug and the metal surface by 500V DC insulation resistance tester and be certain that the insulation resistance is not less than 10M ohm.

## 6. GENERAL INSTRUCTIONS FOR OPERATION

- (1) The plug of the power supply cord should be removed from the socket outlet before cleaning the appliance or under-taking maintenance operations.
- (2) Be sure that a paper bag or a cloth bag is in place.  
There is a device which prevents the bag compartment lid from being closed when the bag has not been in place. Do not tamper with this to use without bag as dust will be sucked directly into the mechanical parts and may damage the motor.
- (3) Do not use the cleaner to pick up wet dirt, and avoid using the cleaner in a wet and moist place as moisture may damage the motor and other mechanical parts.
- (4) The carbon brushes of the motor are of special composition.  
When replacing the defaced carbon brushes, it is necessary to use the Hitachi special carbon brushes for the Hitachi Vacuum Cleaner.
- (5) Do not block the air flow.  
Blockages or obstructions to the suction inlet, rug and floor tool, extension pipe, hose, or the exhaust air outlet, can cause loss of power and overheat the motor.
- (6) Do not pick up matches, ashes, or smoking material with the cleaner. These are potential fire hazards.
- (7) To clean the vacuum cleaner body and attachments, wipe them with a moist soapy cloth, and avoid using spirits.
- (8) Avoid cleaning the switch part with a wet cloth and avoid splashing water on it. Moisture and water may cause a short circuit which can be dangerous.
- (9) Your vacuum cleaner is not a toy. Do not allow children to play with the cleaner. Do not leave the vacuum cleaner connected to an electrical outlet and unattended.

**Warning:** Electric shock could occur if used outdoors or on wet surfaces.

## 7. PARTS LIST

### 7.1 240V SIEMENS PLUG TYPE

#### 7.1.1 TABLE OF PARTS MODEL CV-4700

NO.	PARTS NO.	DESCRIPTION	Q' TY	PACKED Q' TY	REMARKS	ONLY FOR USE AT THE WORKS
1	CV-4700 901	Lower Case Ass'y	1	1	INC 4,5	1V1ZA5604 D
2	—	Lower Case	1			OV1BA0860 1
3	CV-4700 902	Bumper	1	1		0A8LA0863 1
4	CV-F195 003	Caster Ass'y	1	1		3V1ZC5291 C
5	CV-F190T 003	Wheel 100(GRAY)	2	1		2L9333324 J
* 6	CV-4700 927	Motor Ass'y	1	1	INC 7,11,12	2K55C1388 A
7	CV-2500 911	Carbon Brush Ass'y	2	1		2C6ZA2991 C
8	—	Screw M4x14	4			4M6455150 1
9	CV-2500 912	Noise Suppressor(VDE)	1	1		2J1833291 2
10	—	Tapping Screw 4x8	1			M7202200
11	CV-4700 904	Gasket(LG)	1	1		3A8LE3878 1
12	CV-FX310T 026	Gasket (R)	1	1		3A8LA1668 1
13	CV-7501 011	Silencer	1	1		3A8P44176 1
14	CV-4700 905	Cord Reel Ass'y(WITHOUT CORD)	1	1	INC 15-22	2A9ZB9862 G
15	—	Reel(A)Ass'y	1			2A9ZB9858 A
16	CV-2500 915	Contact Supporter Ass'y	1	1	INC 17,18	2A9ZA3742 A
17	CV-7501 014	Contact Ass'y	2	2		4B1Z53727 A
18	—	Tapping Screw 4x12	2			M7201422
19	CV-2650 922	Reel (B) EX2	1	1		1A9HA1221 2
20	CV-PF40WD 041	Fiber Plate	1	1		4A3PA3268 1
21	—	Tapping Screw 4x16	4			M7201424
22	—	Slip Ring Supporter Ass'y	1			2V1ZC0569 C
23	CV-4700 906	Cord Stopper	1	1		2A9LB9869 1
24	CV-4700 907	Cord(SIEMENS)	1	1		2B1XC0116 4
25	CV-4700 908	Filter Supporter	1	1		1V1YA5484 1
26	CV-2500 925	Blower Spring	1	1		4A4VA5773 1
27	CV-4700 909	FS Holder	1	1		1V1YA5577 1
28	—	Tapping Screw 4x25	1			M7201426
29	CV-4700 910	P Filter	1	1		3A8SF3946 1
30	CV-4700 911	Dust Case Ass'y	1	1	INC 31,32	1V1ZA5603 E
31	—	Dust Case Finishing	1			2V1ZC1348 A
32	CV-4700 912	Clamp	1	1		1A39A5485 1
33	CV-4700 913	Inner Cover	1	1		1V1YA5483 1
34	CV-FX310T 012	Inlet Packing (P)	1	1		3L4A11671 1
35	CV-4700 914	Dust Indicator	1	1		3A4GE3019 A
36	—	Tapping Screw 4x16	3			M7201424
37	CV-4700 915	Motor Cover Ass'y	1	1		2V1ZC0396 A
38	CV-4700 916	Switch Ass'y	1	1		3J8ZE4160 A
39	—	Tapping Screw 4x25	2			M7201426
40	CV-4700 917	Upper Case	1	1		OV1BA0861 1
41	CV-4700 918	Pocket Cover	1	1		1V1YA5481 1
42	CV-4700 919	Filter Case	1	1		1V1YA5486 1

7.1.2 TABLE OF PARTS MODEL CV-4800

NO.	PARTS NO.	DESCRIPTION	Q'TY	PACKED Q'TY	REMARKS	ONLY FOR USE AT THE WORKS
43	CV-4700 920	R Filter	1	1		3A8SE4032 1
44	CV-4700 921	Reel Pedal	1	1		2A4FB9968 1
45	CV-4700 922	Switch Pedal	1	1		2A4FB9967 1
46	CV-F100 026	Pedal Spring	2	1		4A4T84206 1
47	CV-4700 923	Roller Lever Ass'y	1	1		3A9ZE4159 A
48	---	Tapping Screw 4x25	5			M7201426
49	CV-EX5300 045	Dusting Brush (U37)	1	1		3V2ZA5700 J
50	CV-EX5300 046	Crevice Nozzle(C40)	1	1		2V2EA7643 4
51	CV-5100 932	Rug And Floor Tool(D-321)	1	1	INC 52-59	1V2Z06592 S
52	CV-EX5300 044	Bumper	1	1		2A8L17858 2
53	CV-7501 046	Roller Ass'y	2	2		4L9Z53928 B
54	CV-7501 045	Brush (B)	1	1		4V2Z53929 B
55	CV-5100 934	Curvied Pipe	1	1		2L36A3034 3
56	CV-7501 044	Suction Keeper Ass'y	1	1		4V2Z54931 A
57	CV-6500 023	Spring	2	2		4A4T38251 1
58	---	Wire	1			4A3W54024 1
59	---	Tapping Screw 4x14	6			M7201423
60	CV-2500 958	Extension Pipe	2	1		2A1N22597 E
61	CV-4700 924	Hose Ass'y	1	1	INC 62-65,69,70	1A1ZA3203 G
62	CV-EX5300 050	Curved Pipe Ass'y	1	1	INC 63,69,70	2V2ZA8751 B
63	---	Suction Control	1			3A2U55920 9
64	CV-4300 928	Hose	1	1		2A1UA0123 5
65	CV-4700 925	Hose Connector(B)Ass'y	1	1	INC 69,70	1A1ZE4136 B
66	CV-4300 931	Fuse (6.3A)	1	1		2J82A7244 F
67	Sales Item	Paper Bag(5pes)	1			3L4ZD2095 A
68	CV-4700 926	Cloth Bag	1	1		2L4ZC1894 A
69	---	Seal Ring	2			3A2RC7604 I
70	---	Stopper Ring	2			3A2QC7605 I

NO.	PARTS NO.	DESCRIPTION	Q'TY	PACKED Q'TY	REMARKS	ONLY FOR USE AT THE WORKS
1	CV-4800 901	Lower Case Ass'y	1	1	INC 4,5	1V1ZA5604 C
2	---	Lower Case	1			1V1ZA5605 A
3	CV-4700 902	Bumper	1	1		0A8LA0863 J
4	CV-F195 003	Caster Ass'y	1	1		3V1ZC5291 C
5	CV-F190T 003	Wheel 100(GRAY)	2	1		2L9333324 J
6	CV-4700 927	Motor Ass'y	1	1	INC 7,11,12	2K55C1388 A
7	CV-2500 911	Carbon Brush Ass'y	2	1		2C6ZA2991 C
8	---	Screw M4x14	4			4M6455150 I
9	CV-2500 912	Noise Suppressor(VDE)	1	1		2J1833291 2
10	---	Tapping Screw 4x8	1			M7202200
11	CV-4700 904	Gasket(LG)	1	1		3A8LE3878 1
12	CV-FX310T 026	Gasket (R)	1	1		3A8LA1668 1
13	CV-7501 011	Silencer	1	1		3A8P44176 1
14	CV-4700 905	Cord Reel Ass'y(WITHOUT CORD)	1	1	INC 15-22	2A9ZB9862 G
15	---	Reel(A)Ass'y	1			2A9ZB9868 A
16	CV-2500 915	Contact Supporter Ass'y	1	1	INC 17,18	2A9ZA3742 A
17	CV-7501 014	Contact Ass'y	2	2		4B1Z53727 A
18	---	Tapping Screw 4x12	2			M7201422
19	CV-2650 922	Reel (B) EX2	1	1		1A9HA1221 2
20	CV-PF40WD 041	Fiber Plate	1	1		4A3PA3268 1
21	---	Tapping Screw 4x16	4			M7201424
22	---	Slip Ring Supporter Ass'y	1			2V1ZC0569 C
23	CV-4700 906	Cord Stopper	1	1		2A9LB9969 1
24	CV-4700 907	Cord(SIEMENS)	1	1		2B1XC0116 4
25	CV-4700 908	Filter Supporter	1	1		1V1YA5484 1
26	CV-2500 925	Blower Spring	1	1		4A4VA5773 1
27	CV-4700 909	FS Holder	1	1		1V1YA5577 1
28	---	Tapping Screw 4x25	1			M7201426
29	CV-4700 910	P Filter	1	1		3A8SE3946 1
30	CV-4700 911	Dust Case Ass'y	1	1	INC 31,32	1V1ZA5603 E
31	---	Dust Case Finising	1			2V1ZC1348 A
32	CV-4700 912	Clamp	1	1		1A39A5485 1
33	CV-4700 913	Inner Cover	1	1		1V1YA5483 1
34	CV-FX310T 012	Inlet Packing (P)	1	1		3L44A1671 1
35	CV-4700 914	Dust Indicator	1	1		3M4GE3019 A
36	---	Tapping Serew 4x16	3			M7201424
37	CV-4700 915	Motor Cover Ass'y	1	1		2V1ZC0396 A
38	CV-4700 916	Switch Ass'y	1	1		3J8ZE4160 A
39	---	Tapping Serew 4x25	2			M7201426
40	CV-4800 902	Upper Case	1	1		2V1ZC0362 A
41	CV-4700 918	Poket Cover	1	1		1V1YA5481 1
42	CV-4700 919	Filter Case	1	1		1V1YA5486 1

NO.	PARTS NO.	DESCRIPTION	Q' TY	PACKED Q' TY	REMARKS	ONLY FOR USE AT THE WORKS
43	CV-4800 903	Clean Filter	1	1		3L47E4033 A
44	CV-4700 921	Reel Pedal	1	1		2A4FB9968 1
45	CV-4700 922	Switch Pedal	1	1		2A4FB9967 1
46	CV-F100 026	Pedal Spring	2	1		4A4T84206 1
47	CV-4700 923	Roller Lever Ass'y	1	1		3A9ZE4159 A
48	—	Tapping Screw 4x25	5			M7201426
49	CV-EX5300 045	Dusting Brush (U37)	1	1		3V2Z45700 J
50	CV-EX5300 046	Crevice Nozzle(C40)	1	1		2V2EA7643 4
51	CV-5100 932	Rug And Floor Tool(D-321)	1	1	INC 52-59	1V2Z06592 S
52	CV-EX5300 044	Bumper	1	1		2A8L17858 2
53	CV-7501 046	Roller Ass'y	2	2		4L9Z53928 B
54	CV-7501 045	Brush (B)	1	1		4V2Z53929 B
55	CV-5100 934	Curved Pipe	1	1		2L36A3034 3
56	CV-7501 044	Suction Keeper Ass'y	1	1		4V2Z54931 A
57	CV-6500 023	Spring	2	2		4A4T38251 1
58	—	Wire	1			4A3W54024 1
59	—	Tapping Screw 4x14	6			M7201423
60	CV-590 904	Extension Pipe(CS)	2	1		2A1NA4274 2
61	CV-4700 924	Hose Ass'y	1	1	INC 62-65,69,70	1A1ZA3203 G
62	CV-EX5300 050	Curved Pipe Ass'y	1	1	INC 63,69,70	2V2Z88751 B
63	—	Suction Control	1			3A2U58920 9
64	CV-4300 928	Hose	1	1		2A1UA0123 5
65	CV-4700 925	Hose Connector(B)Ass'y	1	1	INC 69,70	1A1ZE4136 B
66	CV-4300 931	Fuse (6.3A)	1	1		2J82A7244 F
67	Sales Item	Paper Bag(5pcs)	1			3L4ZD2095 A
68	CV-4700 926	Cloth Bag	1	1		2L4ZC1894 A
69	—	Seal Ring	2			3A2RC7604 1
70	—	Stopper Ring	2			3A2QC7605 1
71	CV-4800 904	Volume Knob	1	1		2A3JB9971 1
72	CV-4800 905	FLS Cap Assy	1	1		3V1ZE6408 A
73	CV-4800 906	Triac PWB	1	1		2J4ZB3486 H
74	CV-4800 907	Power Control PWB	1	1		2J4ZB3484 D
75	CV-5300 910	Noise Suppressor Coil	1	1		3B1ZD1825 A
76	CV-4800 908	Extension Pipe Ass'y	1	1	INC 77	2V2ZC0403 C
77	—	Pile Hook Ass'y	1		INC 78	2V2ZC0403 B
78	—	LH Screw 4x16	1			4A3F71212 2

7.2 240V NZ PLUG TYPE

7.2.1 TABLE OF PARTS MODEL CV-4700

NO.	PARTS NO.	DESCRIPTION	Q' TY	PACKED Q' TY	REMARKS	ONLY FOR USE AT THE WORKS
1	CV-4700 901	Lower Case Ass'y	1	1	INC 4,5	1V1ZA5604 D
2	—	Lower Case	1			0V1BA0860 1
3	CV-4700 902	Bumper	1	1		0A8LA0863 1
4	CV-F195 003	Caster Ass'y	1	1		3V1ZC5291 C
5	CV-F190T 003	Wheel 100(GRAY)	2	1		2L9333324 J
6	CV-4700 927	Motor Ass'y	1	1	INC 7,11,12	2K55C1388 A
7	CV-2500 911	Carbon Brush Ass'y	2	1		2C6ZA2991 C
8	—	Screw M4x14	4			4M6455150 1
9	CV-2500 912	Noise Suppressor(VDE)	1	1		2J1833291 2
10	—	Tapping Screw 4x8	1			M7202200
11	CV-4700 904	Gasket(LG)	1	1		3A8LE3878 1
12	CV-FX310T 026	Gasket (R)	1	1		3A8LA1668 1
13	CV-7501 011	Silencer	1	1		3A8P44176 1
14	CV-4700 905	Cord Reel Ass'y(WITHOUT CORD)	1	1	INC 15-22	2A9ZB9862 G
15	—	Reel(A)Ass'y	1			2A9ZB9858 A
16	CV-2500 915	Contact Supporter Ass'y	1	1	INC 17,18	2A9ZA3742 A
17	CV-7501 014	Contact Ass'y	2	2		4B1Z53727 A
18	—	Tapping Screw 4x12	2			M7201422
19	CV-2650 922	Reel (B) EX2	1	1		1A9HA1221 2
20	CV-PF40WD 041	Fiber Plate	1	1		4A3PA3268 1
21	—	Tapping Screw 4x16	4			M7201424
22	—	Slip Ring Supporter Ass'y	1			2V1ZC0569 C
23	CV-4700 906	Cord Stopper	1	1		2A9LB9969 1
24	CV-50D 931	Cord(NZ)	1	1		3B1X68930 6
25	CV-4700 908	Filter Supporter	1	1		1V1YA5484 1
26	CV-2500 925	Blower Spring	1	1		4A4VA5773 1
27	CV-4700 909	FS Holder	1	1		1V1YA5577 1
28	—	Tapping Screw 4x25	1			M7201426
29	CV-4700 910	P Filter	1	1		3A8SE3946 1
30	CV-4700 911	Dust Case Ass'y	1	1	INC 31,32	1V1ZA5603 E
31	—	Dust Case Finishing	1			2V1ZC1348 A
32	CV-4700 912	Clamp	1	1		1A39A5485 1
33	CV-4700 913	Inner Cover	1	1		1V1YA5483 1
34	CV-FX310T 012	Inlet Packing (P)	1	1		3L4A41671 1
35	CV-4700 914	Dust Indicator	1	1		3A4GE3019 A
36	—	Tapping Screw 4x16	3			M7201424
37	CV-4700 915	Motor Cover Ass'y	1	1		2V1ZC0396 A
38	CV-4700 916	Switch Ass'y	1	1		3J8ZE4160 A
39	—	Tapping Screw 4x25	2			M7201426
40	CV-4700 917	Upper Case	1	1		0V1BA0861 1
41	CV-4700 918	Pocket Cover	1	1		1V1YA5481 1
42	CV-4700 919	Filter Case	1	1		1V1YA5486 1

7.2.2 TABLE OF PARTS MODEL CV-4800

NO.	PARTS NO.	DESCRIPTION	Q' TY	PACKED Q' TY	REMARKS	ONLY FOR USE AT THE WORKS
43	CV-4700 920	R Filter	1	1		3A8SE4032 1
44	CV-4700 921	Reel Pedal	1	1		2A4FB9868 1
45	CV-4700 922	Switch Pedal	1	1		2A4FB9867 1
46	CV-F100 026	Pedal Spring	2	1		4A4T84206 1
47	CV-4700 923	Roller Lever Ass'y	1	1		3A9ZE4159 A
48	—	Tapping Screw 4x25	5			M7201426
49	CV-EX5300 045	Dusting Brush (U37)	1	1		3V2ZA8700 J
50	CV-EX5300 046	Crevice Nozzle(C40)	1	1		2V2EA7643 4
51	CV-5100 932	Rug And Floor Tool(D-321)	1	1	INC 52-59	1V2Z06592 S
52	CV-EX5300 044	Bumper	1	1		2A8L17858 2
53	CV-7501 046	Roller Ass'y	2	2		4L9Z53928 B
54	CV-7501 045	Brush (B)	1	1		4V2Z53929 B
55	CV-5100 934	Curved Pipe	1	1		2L36A3034 3
56	CV-7501 044	Suction Keeper Ass'y	1	1		4V2Z54831 A
57	CV-6500 023	Spring	2	2		4A4T38251 1
58	—	Wire	1			4A3W54024 1
59	—	Tapping Screw 4x14	6			M7201423
60	CV-2500 958	Extension Pipe	2	1		2A1N22597 E
61	CV-4700 924	Hose Ass'y	1	1	INC 62-65,69,70	1A1ZA3203 G
62	CV-EX5300 050	Curved Pipe Ass'y	1	1	INC 63,69,70	2V2ZA8751 B
63	—	Suction Control	1			3A2U58920 9
64	CV-4300 928	Hose	1	1		2A1UA0123 5
65	CV-4700 925	Hose Connector(B)Ass'y	1	1	INC 69,70	1A1ZE4136 B
66	CV-4300 931	Fuse (6.3A)	1	1		2J82A7244 F
67	Sales Item	Paper Bag(5pes)	1			3L4ZD2095 A
68	CV-4700 926	Cloth Bag	1	1		2L4ZC1854 A
69	—	Seal Ring	2			3A2RC7804 1
70	—	Stopper Ring	2			3A2QC7605 1

NO.	PARTS NO.	DESCRIPTION	Q' TY	PACKED Q' TY	REMARKS	ONLY FOR USE AT THE WORKS
1	CV-4800 901	Lower Case Ass'y	1	1	INC 4,5	1V1ZA5604 C
2	—	Lower Case	1			1V1ZA5605 A
3	CV-4700 902	Bumper	1	1		0A8LA0863 1
4	CV-F195 003	Caster Ass'y	1	1		3V1ZC5291 C
5	CV-F190T 003	Wheel 100(GRAY)	2	1		2L9333324 J
6	CV-4700 927	Motor Ass'y	1	1	INC 7,11,12	2K55C1388 A
7	CV-2500 911	Carbon Brush Ass'y	2	1		2C6ZA2991 C
8	—	Screw M4x14	4			4M6455150 1
9	CV-2500 912	Noise Suppressor(VDE)	1	1		2J1833291 2
10	—	Tapping Screw 4x8	1			M7202200
11	CV-4700 904	Gasket(LG)	1	1		3A8LE3878 1
12	CV-FX310T 026	Gasket (R)	1	1		3A8LA1698 1
13	CV-7501 011	Silencer	1	1		3A8P44176 1
14	CV-4700 905	Cord Reel Ass'y(WITHOUT CORD)	1	1	INC 15-22	2A9ZB9862 G
15	—	Reel(A)Ass'y	1			2A9ZB9858 A
16	CV-2500 915	Contact Supporter Ass'y	1	1	INC 17,18	2A9ZA3742 A
17	CV-7501 014	Contact Ass'y	2	2		4B1Z53727 A
18	—	Tapping Screw 4x12	2			M7201422
19	CV-2650 922	Reel (B) EX2	1	1		1A9HA1221 2
20	CV-PF40WD 041	Fiber Plate	1	1		4A3PA3288 1
21	—	Tapping Screw 4x16	4			M7201424
22	—	Slip Ring Supporter Ass'y	1			2V1ZC0589 C
23	CV-4700 906	Cord Stopper	1	1		2A9LB9969 1
24	CV-50D 931	Cord(NZ)	1	1		3B1X68930 6
25	CV-4700 908	Filter Supporter	1	1		1V1YA5484 1
26	CV-2500 925	Blower Spring	1	1		4A4YA5773 1
27	CV-4700 909	FS Holder	1	1		1V1YA5577 1
28	—	Tapping Screw 4x25	1			M7201425
29	CV-4700 910	P Filter	1	1		3A8SE3946 1
30	CV-4700 911	Dust Case Ass'y	1	1	INC 31,32	1V1ZA5603 E
31	—	Dust Case Finishing	1			2V1ZC1348 A
32	CV-4700 912	Clamp	1	1		1A39A5485 1
33	CV-4700 913	Inner Cover	1	1		1V1YA5483 1
34	CV-FX310T 012	Inlet Packing (P)	1	1		3L44A1671 1
35	CV-4700 914	Dust Indicator	1	1		3A4GE3019 A
36	—	Tapping Serew 4x16	3			M7201424
37	CV-4700 915	Motor Cover Ass'y	1	1		2V1ZC0396 A
38	CV-4700 916	Switch Ass'y	1	1		3J8ZE4160 A
39	—	Tapping Serew 4x25	2			M7201426
40	CV-4800 902	Upper Case	1	1		2V1ZC0382 A
41	CV-4700 918	Poket Cover	1	1		1V1YA5481 1
42	CV-4700 919	Filter Case	1	1		1V1YA5486 1

NO.	PARTS NO.	DESCRIPTION	Q' TY	PACKED Q' TY	REMARKS	ONLY FOR USE AT THE WORKS
43	CV-4800 903	Clean Filter	1	1		3L47E4033 A
44	CV-4700 921	Reel Pedal	1	1		2A4FB9968 1
45	CV-4700 922	Switch Pedal	1	1		2A4FB9967 1
46	CV-F100 026	Pedal Spring	2	1		4A4T84206 1
47	CV-4700 923	Roller Lever Ass'y	1	1		3A9ZE4159 A
48	—	Tapping Screw 4x25	5			M7201426
49	CV-EX5300 045	Dusting Brush (U37)	1	1		3V2ZA5700 J
50	CV-EX5300 046	Crevice Nozzle(C40)	1	1		2V2EA7643 4
51	CV-5100 932	Rug And Floor Tool(D-321)	1	1	INC 52-59	1V2Z06592 S
52	CV-EX5300 044	Bumper	1	1		2A8L17858 2
53	CV-7501 046	Roller Ass'y	2	2		4L9Z53928 B
54	CV-7501 045	Brush (B)	1	1		4V2Z53929 B
55	CV-5100 934	Curved Pipe	1	1		2L36A3034 3
56	CV-7501 044	Suction Keeper Ass'y	1	1		4V2Z54931 A
57	CV-6500 023	Spring	2	2		4A4T38251 1
58	—	Wire	1			4A3W54024 1
59	—	Tapping Screw 4x14	6			M7201423
60	CV-590 904	Extension Pipe(CS)	2	1		2A1NA4274 2
61	CV-4700 924	Hose Ass'y	1	1	INC 62-65,69,70	1A1ZA3203 G
62	CV-EX5300 050	Curved Pipe Ass'y	1	1	INC 63,69,70	2V2ZA8751 B
63	—	Suction Control	1			3A2U58920 9
64	CV-4300 928	Hose	1	1		2A1UA0123 5
65	CV-4700 925	Hose Connector(B)Ass'y	1	1	INC 69,70	1A1ZE4136 B
66	CV-4300 931	Fuse (6.3A)	1	1		2J82A7244 F
67	Sales Item	Paper Bag(5pcs)	1			3L4ZD2095 A
68	CV-4700 926	Cloth Bag	1	1		2L4ZC1894 A
69	—	Seal Ring	2			3A2RC7604 1
70	—	Stopper Ring	2			3A2QC7605 1
71	CV-4800 904	Volume Knob	1	1		2A3JB9971 1
72	CV-4800 905	FLS Cap Assy	1	1		3V1ZE6408 A
73	CV-4800 906	Triac PWB	1	1		2J4ZB3486 H
74	CV-4800 907	Power Control PWB	1	1		2J4ZB3484 D
75	CV-5300 910	Noise Suppressor Coil	1	1		3B1ZD1825 A
76	CV-4800 908	Extention Pipe Ass'y	1	1	INC 77	2V2ZC0403 C
77	—	Pile Hook Ass'y	1		INC 78	2V2ZC0403 B
78	—	LH Screw 4x16	1			4A3F71212 2

7.3 230V SIEMENS PLUG TYPE  
7.3.1 TABLE OF PARTS MODEL CV-4700

NO.	PARTS NO.	DESCRIPTION	Q' TY	PACKED Q' TY	REMARKS	ONLY FOR USE AT THE WORKS
1	CV-4700 901	Lower Case Ass'y	1	1	INC 4,5	1V1ZA5604 D
2	—	Lower Case	1			CV1BA0860 1
3	CV-4700 902	Bumper	1	1		0A8LA0863 1
4	CV-F195 003	Caster Ass'y	1	1		3V1ZC5291 C
5	CV-F190T 003	Wheel 100(GRAY)	2	1		2L9333324 J
*6	CV-4700 928	Motor Ass'y	1	1	INC 7,11,12	2K55C1388 B
7	CV-2500 911	Carbon Brush Ass'y	2	1		2C6ZA2991 C
8	—	Screw M4X14	4			4M6455150 1
9	CV-2500 912	Noise Suppressor(VDE)	1	1		2J1833291 2
10	—	Tapping Screw 4x8	1			M7202200
11	CV-4700 904	Gasket(LG)	1	1		3A8LE3878 1
12	CV-FX310T 028	Gasket (R)	1	1		3A8LA1668 1
13	CV-7501 011	Silencer	1	1		3A8P44176 1
14	CV-4700 905	Cord Reel Ass'y(WITHOUT CORD)	1	1	INC 15-22	2A9ZB9862 G
15	—	Reel(A)Ass'y	1			2A9ZB9868 A
16	CV-2500 915	Contact Supporter Ass'y	1	1	INC 17,18	2A9ZA9742 A
17	CV-7501 014	Contact Ass'y	2	2		4B1Z53727 A
18	—	Tapping Screw 4x12	2			M7201422
19	CV-2650 922	Reel (B) EX2	1	1		1A9HA1221 2
20	CV-PF40WD 041	Fiber Plate	1	1		4A3PA3268 1
21	—	Tapping Screw 4x16	4			M7201424
22	—	Slip Ring Supporter Ass'y	1			2V1ZC0569 C
23	CV-4700 906	Cord Stopper	1	1		2A9LB9869 1
24	CV-4700 907	Cord(SIEMENS)	1	1		2B1XC0116 4
25	CV-4700 908	Filter Supporter	1	1		1V1YA5484 1
26	CV-2500 925	Blower Spring	1	1		4A4VA5773 1
27	CV-4700 909	FS Holder	1	1		1V1YA5577 1
28	—	Tapping Screw 4x25	1			M7201426
29	CV-4700 910	P Filter	1	1		3A8SE3946 1
30	CV-4700 911	Dust Case Ass'y	1	1	INC 31,32	1V1ZA5603 E
31	—	Dust Case Finishing	1			2V1ZC1348 A
32	CV-4700 912	Clamp	1	1		1A39A5485 1
33	CV-4700 913	Inner Cover	1	1		1V1YA5483 1
34	CV-FX310T 012	Inlet Packing (P)	1	1		3L44A1671 1
35	CV-4700 914	Dust Indicator	1	1		3A4GE3019 A
36	—	Tapping Screw 4x16	3			M7201424
37	CV-4700 915	Motor Cover Ass'y	1	1		2V1ZC0396 A
38	CV-4700 916	Switch Ass'y	1	1		3J8ZE4160 A
39	—	Tapping Screw 4x25	2			M7201426
40	CV-4700 917	Upper Case	1	1		0V1BA0861 1
41	CV-4700 918	Poket Cover	1	1		1V1YA5481 1
42	CV-4700 919	Filter Case	1	1		1V1YA5486 1





NO.	PARTS NO.	DESCRIPTION	Q'TY	PACKED Q'TY	REMARKS	ONLY FOR USE AT THE WORKS
43	CV-4800 903	Clean Filter	1	1		3L47E4033 A
44	CV-4700 921	Reel Pedal	1	1		2A4FB9968 1
45	CV-4700 922	Switch Pedal	1	1		2A4FB9967 1
46	CV-F100 026	Pedal Spring	2	1		4A4T84206 1
47	CV-4700 923	Roller Lever Ass'y	1	1		3A9ZE4159 A
48	—	Tapping Screw 4x25	5			M7201426
49	CV-EX5300 045	Dusting Brush (U37)	1	1		3V2ZA5700 J
50	CV-EX5300 046	Crevice Nozzle(C40)	1	1		2V2EA7643 4
51	CV-5100 932	Rug And Floor Tool(D-321)	1	1	INC 52-59	1V2Z06592 S
52	CV-EX5300 044	Bumper	1	1		2A8L17858 2
53	CV-7501 046	Roller Ass'y	2	2		4L9Z53928 B
54	CV-7501 045	Brush (B)	1	1		4V2Z53929 B
55	CV-5100 934	Curved Pipe	1	1		2L36A3034 3
56	CV-7501 044	Suction Keeper Ass'y	1	1		4V2Z54931 A
57	CV-6500 023	Spring	2	2		4A4T38251 1
58	—	Wire	1			4A3W54024 1
59	—	Tapping Screw 4x14	6			M7201423
60	CV-590 904	Extension Pipe(CS)	2	1		2A1NA4274 2
61	CV-4700 924	Hose Ass'y	1	1	INC 62-65,69,70	1A1ZA3203 G
62	CV-EX5300 050	Curved Pipe Ass'y	1	1	INC 63,69,70	2V2ZA8751 B
63	—	Suction Control	1			3A2U58920 9
64	CV-4300 928	Hose	1	1		2A1UA0123 5
65	CV-4700 925	Hose Connector(B)Ass'y	1	1	INC 69,70	1A1ZE4136 B
66	CV-4300 931	Fuse (6.3A)	1	1		2J82A7244 F
67	Sales Item	Paper Bag(5pcs)	1			3LAZD2095 A
68	CV-4700 926	Cloth Bag	1	1		2LAZC1894 A
69	—	Seal Ring	2			3A2RC7604 1
70	—	Stopper Ring	2			3A2QC7605 1
71	CV-4800 904	Volume Knob	1	1		2A3JB9971 1
72	CV-4800 905	FLS Cap Assy	1	1		3V1ZE6408 A
73	CV-4800 906	Triac PWB	1	1		2J4ZB3486 H
74	CV-4800 907	Power Control PWB	1	1		2J4ZB3484 D
75	CV-5300 910	Noise Suppressor Coil	1	1		3B1ZD1825 A
76	CV-4800 908	Extention Pipe Ass'y	1	1	INC 77	2V2ZC0403 C
77	—	Pile Hook Ass'y	1		INC 78	2V2ZC0403 B
78	—	L.H Screw 4x16	1			4A3F71212 2

7.4 230V VDE PLUG TYPE

7.4.1 TABLE OF PARTS MODEL CV-4700

NO.	PARTS NO.	DESCRIPTION	Q'TY	PACKED Q'TY	REMARKS	ONLY FOR USE AT THE WORKS
1	CV-4700 901	Lower Case Ass'y	1	1	INC 4,5	1V1ZA5604 D
2	—	Lower Case	1			0V1BA0860 1
3	CV-4700 902	Bumper	1	1		0A8LA0863 1
4	CV-F195 003	Caster Ass'y	1	1		3V1ZC5291 C
5	CV-F190T 003	Wheel 100(GRAY)	2	1		2L9333324 J
6	CV-4700 928	Motor Ass'y	1	1	INC 7,11,12	2K55C1388 B
7	CV-2500 911	Carbon Brush Ass'y	2	1		2C6ZA2991 C
8	—	Screw M4x14	4			4M6455150 1
9	CV-2500 912	Noise Suppressor(VDE)	1	1		2J1833291 2
10	—	Tapping Screw 4x8	1			M7202200
11	CV-4700 904	Gasket(LG)	1	1		3A8LE3878 1
12	CV-FX310T 026	Gasket (R)	1	1		3A8LA1668 1
13	CV-7501 011	Silencer	1	1		3A8P41176 1
14	CV-4700 905	Cord Reel Ass'y(WITHOUT CORD)	1	1	INC 15-22	2A9ZB9862 G
15	—	Reel(A)Ass'y	1			2A9ZB9858 A
16	CV-2500 915	Contact Supporter Ass'y	1	1	INC 17,18	2A9ZA3742 A
17	CV-7501 014	Contact Ass'y	2	2		4B1Z53727 A
18	—	Tapping Screw 4x12	2			M7201422
19	CV-2650 922	Reel (B) EX2	1	1		1A9HA1221 2
20	CV-PF40WD 041	Fiber Plate	1	1		4A3PA3268 1
21	—	Tapping Screw 4x16	4			M7201424
22	—	Slip Ring Supporter Ass'y	1			2V1ZC0569 C
23	CV-4700 906	Cord Stopper	1	1		2A9LB9969 1
24	CV-2500 941	Cord(VDE)	1	1		2B1XA3818 2
25	CV-4700 908	Filter Supporter	1	1		1V1YA5484 1
26	CV-2500 925	Blower Spring	1	1		4A4VA5773 1
27	CV-4700 909	FS Holder	1	1		1V1YA5577 1
28	—	Tapping Screw 4x25	1			M7201426
29	CV-4700 910	P Filter	1	1		3A8SE3946 1
30	CV-4700 911	Dust Case Ass'y	1	1	INC 31,32	1V1ZA5603 E
31	—	Dust Case Finishing	1			2V1ZC1348 A
32	CV-4700 912	Clamp	1	1		1A39A5485 1
33	CV-4700 913	Inner Cover	1	1		1V1YA5483 1
34	CV-FX310T 012	Inlet Packing (P)	1	1		3L44A1671 1
35	CV-4700 914	Dust Indicator	1	1		3A4GE3019 A
36	—	Tapping Screw 4x16	3			M7201424
37	CV-4700 915	Motor Cover Ass'y	1	1		2V1ZC0396 A
38	CV-4700 916	Switch Ass'y	1	1		3J8ZF4160 A
39	—	Tapping Screw 4x25	2			M7201426
40	CV-4700 917	Upper Case	1	1		0V1BA0861 1
41	CV-4700 918	Pocket Cover	1	1		1V1YA5481 1
42	CV-4700 919	Filter Case	1	1		1V1YA5486 1

7.4.2 TABLE OF PARTS MODEL CV-4800

NO.	PARTS NO.	DESCRIPTION	Q'TY	PACKED Q'TY	REMARKS	ONLY FOR USE AT THE WORKS
43	CV-4700 920	R Filter	1	1		3A8SE4032 1
44	CV-4700 921	Reel Pedal	1	1		2M4FB9968 1
45	CV-4700 922	Switch Pedal	1	1		2M4FB9967 1
46	CV-F100 026	Pedal Spring	2	1		4A4T84206 1
47	CV-4700 923	Roller Lever Ass'y	1	1		3A8ZE4169 A
48	—	Tapping Screw 4x25	5			M7201426
49	CV-EX5300 045	Dusting Brush (U37)	1	1		3V2ZA5700 J
50	CV-EX5300 046	Crevice Nozzle(CAO)	1	1		2V2EA7643 4
51	CV-5100 932	Rug And Floor Tool(D-321)	1	1	INC 52-59	1V2Z06592 S
52	CV-EX5300 044	Bumper	1	1		2A8L17858 2
53	CV-7501 046	Roller Ass'y	2	2		4L9Z53928 B
54	CV-7501 045	Brush (B)	1	1		2V2Z53929 B
55	CV-5100 934	Curved Pipe	1	1		2L36A3034 3
56	CV-7501 044	Suction Keeper Ass'y	1	1		4V2Z54931 A
57	CV-6500 023	Spring	2	2		4A4T38251 1
58	—	Wire	1			4A3W54024 1
59	—	Tapping Screw 4x14	6			M7201423
60	CV-2500 958	Extension Pipe	2	1		2A1W22597 E
61	CV-4700 924	Hose Ass'y	1	1	INC 62-65,69,70	1A1ZA3203 G
62	CV-EX5300 050	Curved Pipe Ass'y	1	1	INC 63,69,70	2V2ZA8751 B
63	—	Suction Control	1			3A2U58920 9
64	CV-4300 928	Hose	1	1		2A1UA0123 5
65	CV-4700 925	Hose Connector(B)Ass'y	1	1	INC 63,70	1A1ZE4136 B
66	CV-4300 931	Fuse (6.3A)	1	1		2J82A7244 F
67	Sales Item	Paper Bag(5pes)	1			3LAZD2095 A
68	CV-4700 926	Cloth Bag	1	1		2L4ZC1894 A
69	—	Seal Ring	2			3A2RC7604 1
70	—	Stopper Ring	2			3A2QC7605 1

NO.	PARTS NO.	DESCRIPTION	Q'TY	PACKED Q'TY	REMARKS	ONLY FOR USE AT THE WORKS
1	CV-4800 901	Lower Case Ass'y	1	1	INC 4,5	1V1ZA5604 C
2	—	Lower Case	1			1V1ZA5605 A
3	CV-4700 902	Bumper	1	1		0A8LA0863 1
4	CV-F195 003	Caster Ass'y	1	1		3W1ZC5291 C
5	CV-F190T 003	Wheel 100(GRAY)	2	1		2L9333324 J
6	CV-4700 928	Motor Ass'y	1	1	INC 7,11,12	2K55C1388 B
7	CV-2500 911	Carbon Brush Ass'y	2	1		2C6ZA2991 C
8	—	Screw M4x14	4			4M6455150 1
9	CV-2500 912	Noise Suppressor(VDE)	1	1		2J1833291 2
10	—	Tapping Screw 4x8	1			M7202200
11	CV-4700 904	Gasket(LG)	1	1		3A8L33878 1
12	CV-FX310T 026	Gasket (R)	1	1		3A8LA1668 1
13	CV-7501 011	Silencer	1	1		3A8P44176 1
14	CV-4700 905	Cord Reel Ass'y(WITHOUT CORD)	1	1	INC 15-22	2A9ZB9862 G
15	—	Reel(A)Ass'y	1			2A9ZB9858 A
16	CV-2500 915	Contact Supporter Ass'y	1	1	INC 17,18	2A9ZA3742 A
17	CV-7501 014	Contact Ass'y	2	2		4B1Z53727 A
18	—	Tapping Screw 4x12	2			M7201422
19	CV-2650 922	Reel (B) EX2	1	1		1A9HA1221 2
20	CV-PF40WD 041	Fiber Plate	1	1		4A3PA3268 1
21	—	Tapping Screw 4x16	4			M7201424
22	—	Slip Ring Supporter Ass'y	1			2V1ZC05669 C
23	CV-4700 906	Cord Stopper	1	1		2A9LB9969 1
24	CV-2500 941	Cord(VDE)	1	1		2B1XA3818 2
25	CV-4700 908	Filter Supporter	1	1		1V1YA5484 1
26	CV-2500 925	Blower Spring	1	1		4A4VA5773 1
27	CV-4700 909	FS Holder	1	1		1V1YA5577 1
28	—	Tapping Screw 4x25	1			M7201426
29	CV-4700 910	P Filter	1	1		3A8SE3946 1
30	CV-4700 911	Dust Case Ass'y	1	1	INC 31,32	1V1ZA5603 E
31	—	Dust Case Finishing	1			2V1ZC1348 A
32	CV-4700 912	Clamp	1	1		1A39A5485 1
33	CV-4700 913	Inner Cover	1	1		1V1YA5483 1
34	CV-FX310T 012	Inlet Packing (P)	1	1		3L44A1671 1
35	CV-4700 914	Dust Indicator	1	1		3A4GE3019 A
36	—	Tapping Screw 4x16	3			M7201424
37	CV-4700 915	Motor Cover Ass'y	1	1		2V1ZC0396 A
38	CV-4700 916	Switch Ass'y	1	1		3J8ZE4160 A
39	—	Tapping Screw 4x25	2			M7201426
40	CV-4800 902	Upper Case	1	1		2V1ZC0362 A
41	CV-4700 918	Poket Cover	1	1		1V1YA5481 1
42	CV-4700 919	Filter Case	1	1		1V1YA5486 1

NO.	PARTS NO.	DESCRIPTION	Q' TY	PACKED Q' TY	REMARKS	ONLY FOR USE AT THE WORKS
43	CV-4800 903	Clean Filter	1	1		3L47E4033 A
44	CV-4700 921	Reel Pedal	1	1		2A4FB9968 1
45	CV-4700 922	Switch Pedal	1	1		2A4FB9967 1
46	CV-F100 026	Pedal Spring	2	1		4A4T84206 1
47	CV-4700 923	Roller Lever Ass'y	1	1		3A9ZE4159 A
48	-----	Tapping Screw 4x25	5			M7201426
49	CV-EX5300 045	Dusting Brush (U37)	1	1		3V2ZA5700 J
50	CV-EX5300 046	Crevice Nozzle(C40)	1	1		2V2EA7643 4
51	CV-5100 932	Rug And Floor Tool(D-321)	1	1	INC 52-59	1V2Z06592 S
52	CV-EX5300 044	Bumper	1	1		2A8L17858 2
53	CV-7501 046	Roller Ass'y	2	2		4L9Z53928 B
54	CV-7501 045	Brush (B)	1	1		4V2Z53929 B
55	CV-5100 934	Curved Pipe	1	1		2L36A3034 3
56	CV-7501 044	Suction Keeper Ass'y	1	1		4V2Z54931 A
57	CV-6500 023	Spring	2	2		4A4T38251 1
58	-----	Wire	1			4A3W54024 1
59	-----	Tapping Screw 4x14	6			M7201423
60	CV-590 904	Extension Pipe(CS)	2	1		2A1NA4274 2
61	CV-4700 924	Hose Ass'y	1	1	INC 62-65,69,70	1A1ZA3203 G
62	CV-EX5300 050	Curved Pipe Ass'y	1	1	INC 63,69,70	2V2ZA8751 B
63	-----	Suction Control	1			3A2U58920 9
64	CV-4300 928	Hose	1	1		2A1UA0123 5
65	CV-4700 925	Hose Connector(B)Ass'y	1	1	INC 69,70	1A1ZE4136 B
66	CV-4300 931	Fuse (6.3A)	1	1		2J82A7244 F
67	Sales Item	Paper Bag(5pcs)	1			3LAZD2095 A
68	CV-4700 926	Cloth Bag	1	1		2L4ZC1894 A
69	-----	Seal Ring	2			3A2RC7604 1
70	-----	Stopper Ring	2			3A2QC7605 1
71	CV-4800 904	Volume Knob	1	1		2A3JB9971 1
72	CV-4800 905	FLS Cap Assy	1	1		3V1ZE6408 A
73	CV-4800 906	Triac PWB	1	1		2J4ZB3486 H
74	CV-4800 907	Power Control PWB	1	1		2J4ZB3484 D
75	CV-5300 910	Noise Suppressor Coil	1	1		3B1ZD1825 A
76	CV-4800 908	Extention Pipe Ass'y	1	1	INC 77	2V2ZC0403 C
77	-----	Pile hook Ass'y	1		INC 78	2V2ZC0403 B
78	-----	LH Screw 4x16	1			4A3F71212 2

7.5 220V SIEMENS PLUG TYPE

7.5.1 TABLE OF PARTS MODEL CV-4700

NO.	PARTS NO.	DESCRIPTION	Q' TY	PACKED Q' TY	REMARKS	ONLY FOR USE AT THE WORKS
* 1	CV-4700 901	Lower Case Ass'y	1	1	INC 4,5	1V1ZA5604 D
2	-----	Lower Case	1			0V1BA0860 1
* 3	CV-4700 902	Bumper	1	1		0A8LA0863 1
4	CV-F195 003	Caster Ass'y	1	1		3V1ZC5291 C
5	CV-F190T 003	Wheel 100(GRAY)	2	1		2L9333324 J
* 6	CV-4700 903	Motor Ass'y	1	1	INC 7,11,12	2K55C1388 C
7	CV-2500 911	Carbon Brush Ass'y	2	1		2C67A2991 G
8	-----	Screw M4x14	4			4M6455150 1
9	CV-2500 912	Noise Suppressor(VDE)	1	1		2J1833291 2
10	-----	Tapping Screw 4x8	1			M7202200
* 11	CV-4700 904	Gasket(LG)	1	1		3A8LE3878 1
12	CV-FX310T 026	Gasket (R)	1	1		3A8LA1668 1
13	CV-7501 011	Silencer	1	1		3A8P44176 1
* 14	CV-4700 905	Cord Reel Ass'y(WITHOUT CORD)	1	1	INC 15-22	2A9ZB9862 G
15	-----	Reel(A)Ass'y	1			2A9ZB9858 A
16	CV-2500 915	Contact Supporter Ass'y	1	1	INC 17,18	2A9ZA3742 A
17	CV-7501 014	Contact Ass'y	2	2		4B1Z53727 A
18	-----	Tapping Screw 4x12	2			M7201422
19	CV-2650 922	Reel (B) EX2	1	1		1A9HA1221 2
20	CV-PF40WD 041	Fiber Plate	1	1		4A3PA3268 1
21	-----	Tapping Screw 4x16	4			M7201424
22	-----	Slip Ring Supporter Ass'y	1			2V1ZC0569 C
* 23	CV-4700 906	Cord Stopper	1	1		2A9LB9969 1
* 24	CV-4700 907	Cord(SIEMENS)	1	1		2B1XC0116 4
* 25	CV-4700 908	Filter Supporter	1	1		1V1YA5484 1
26	CV-2500 925	Blower Spring	1	1		4A4VA5773 1
* 27	CV-4700 909	FS Holder	1	1		1V1YA5577 1
28	-----	Tapping Screw 4x25	1			M7201426
* 29	CV-4700 910	P Filter	1	1		3A8SE3946 1
30	CV-4700 911	Dust Case Ass'y	1	1	INC 31,32	1V1ZA5603 E
31	-----	Dust Case Finishing	1			2V1ZC1348 A
* 32	CV-4700 912	Clamp	1	1		1A39A5485 1
* 33	CV-4700 913	Inner Cover	1	1		1V1YA5483 1
34	CV-FX310T 012	Inlet Packing (P)	1	1		3L44A1671 1
* 35	CV-4700 914	Dust Indicator	1	1		3A4GE3019 A
36	-----	Tapping Screw 4x16	3			M7201424
* 37	CV-4700 915	Motor Cover Ass'y	1	1		2V1ZC0396 A
* 38	CV-4700 916	Switch Ass'y	1	1		3J8ZE4160 A
39	-----	Tapping Screw 4x25	2			M7201426
* 40	CV-4700 917	Upper Case	1	1		0V1BA0861 1
* 41	CV-4700 918	Poket Cover	1	1		1V1YA5481 1
* 42	CV-4700 919	Filter Case	1	1		1V1YA5486 1

7.5.2 TABLE OF PARTS MODEL CV-4800

NO.	PARTS NO.	DESCRIPTION	Q' TY	PACKED Q' TY	REMARKS	ONLY FOR USE AT THE WORKS
* 43	CV-4700 920	R Filter	1	1		3A8SE4032 1
* 44	CV-4700 921	Reel Pedal	1	1		2A4FB9968 1
* 45	CV-4700 922	Switch Pedal	1	1		2A4FB9967 1
46	CV-F100 026	Pedal Spring	2	1		4A4T84206 1
* 47	CV-4700 923	Roller Lever Ass'y	1	1		3A9ZE4159 A
48	-----	Tapping Screw 4x25	5			H7201426
49	CV-EX5300 045	Dusting Brush (U37)	1	1		3V22A5700 J
50	CV-EX5300 046	Crevice Nozzle(C40)	1	1		2V2EA7643 4
51	CV-5100 932	Rug And Floor Tool(D-321)	1	1	INC 52-50	1V2206592 S
52	CV-EX5300 044	Bumper	1	1		2A8L17858 B
53	CV-7501 046	Roller Ass'y	2	2		4L9Z53928 B
54	CV-7501 045	Brush (B)	1	1		4V2253929 B
55	CV-5100 934	Curved Pipe	1	1		2L36A3034 3
56	CV-7501 044	Suction Keeper Ass'y	1	1		4V2254931 A
57	CV-6500 023	Spring	2	2		4A4T38251 1
58	-----	Wire	1			4A3W54024 1
59	-----	Tapping Screw 4x14	6			H7201423
60	CV-2500 958	Extension Pipe	2	1		2A1N22597 E
* 61	CV-4700 924	Hose Ass'y	1	1	INC 62-65,69,70	1A1ZA3203 G
62	CV-5100 937	Curved Pipe Ass'y	1	1	INC 63,69,70	2V2A8751 B
63	-----	Suction Control	1			3A2U58920 9
64	CV-4300 928	Hose	1	1		2A1UA0123 5
* 65	CV-4700 925	Hose Connector(B)Ass'y	1	1	INC 69,70	1A1ZE4136 B
66	CV-4300 931	Fuse (6.3A)	1	1		2J82A7244 F
67	Sales Item	Paper Bag(5pes)	1			3L4ZD2095 A
* 68	CV-4700 926	Cloth Bag	1	1		2L4ZC1894 A
69	-----	Seal Ring	2			3A2RC7604 1
70	-----	Stopper Ring	2			3A2QC7605 1

NO.	PARTS NO.	DESCRIPTION	Q' TY	PACKED Q' TY	REMARKS	ONLY FOR USE AT THE WORKS
* 1	CV-4800 901	Lower Case Ass'y	1	1	INC 4,5	1V1ZA5604 C
2	-----	Lower Case	1			1V1ZA5605 A
3	CV-4700 902	Bumper	1	1		0A8LA0863 1
4	CV-F195 003	Caster Ass'y	1	1		3V1ZC5291 C
5	CV-F190T 003	Wheel 100(GRAY)	2	1		2L9333324 J
6	CV-4700 903	Motor Ass'y	1	1	INC 7,11,12	2K55C1388 C
7	CV-2500 911	Carbon Brush Ass'y	2	1		2C6Z42991 C
8	-----	Screw M4x14	4			4W6455150 1
9	CV-2500 912	Noise Suppressor(VDE)	1	1		2J1833291 2
10	-----	Tapping Screw 4x8	1			H7202200
11	CV-4700 904	Gasket(LG)	1	1		3A8LE3878 1
12	CV-FX310T 026	Gasket (R)	1	1		3A8LA1668 1
13	CV-7501 011	Silencer	1	1		3A8P44176 1
14	CV-4700 905	Cord Reel Ass'y(WITHOUT CORD)	1	1	INC 15-22	2A9ZB9862 G
15	-----	Reel(A)Ass'y	1			2A9ZB9858 A
16	CV-2500 915	Contact Supporter Ass'y	1	1	INC 17,18	2A9ZA3742 A
17	CV-7501 014	Contact Ass'y	2	2		4B1Z53727 A
18	-----	Tapping Screw 4x12	2			H7201422
19	CV-2650 922	Reel (B) EX2	1	1		1A9HA1221 2
20	CV-PF40WD 041	Fiber Plate	1	1		4A3PA3268 1
21	-----	Tapping Screw 4x16	4			H7201424
22	-----	Slip Ring Supporter Ass'y	1			2V1ZC0569 C
23	CV-4700 906	Cord Stopper	1	1		2A9LB9969 1
24	CV-4700 907	Cord(SIEMENS)	1	1		2B1XC0116 4
25	CV-4700 908	Filter Supporter	1	1		1V1YA5484 1
26	CV-2500 925	Blower Spring	1	1		4MVA5773 1
27	CV-4700 909	FS Holder	1	1		1V1YA5577 1
28	-----	Tapping Screw 4x25	1			H7201426
29	CV-4700 910	P Filter	1	1		3A8SE3946 1
30	CV-4700 911	Dust Case Ass'y	1	1	INC 31,32	1V1ZA5603 E
31	-----	Dust Case Finishing	1			2V1ZC1348 A
32	CV-4700 912	Clamp	1	1		1A39A5485 1
33	CV-4700 913	Inner Cover	1	1		1V1YA5483 1
34	CV-FX310T 012	Inlet Packing (P)	1	1		3L44A1671 1
35	CV-4700 914	Dust Indicator	1	1		3A6GE3019 A
36	-----	Tapping Screw 4x16	3			H7201424
37	CV-4700 915	Motor Cover Ass'y	1	1		2V1ZC0396 A
38	CV-4700 916	Switch Ass'y	1	1		3J8ZE4160 A
39	-----	Tapping Screw 4x25	2			H7201426
* 40	CV-4800 902	Upper Case	1	1		2V1ZC0362 A
41	CV-4700 918	Pocket Cover	1	1		1V1YA5481 1
42	CV-4700 919	Filter Case	1	1		1V1YA5486 1

NO.	PARTS NO.	DESCRIPTION	Q' TY	PACKED Q' TY	REMARKS	ONLY FOR USE AT THE WORKS
* 43	CV-4800 903	Clean Filter	1	1		3L47E4033 A
44	CV-4700 921	Reel Pedal	1	1		2A4FB9968 1
45	CV-4700 922	Switch Pedal	1	1		2A4FB9967 1
46	CV-F100 026	Pedal Spring	2	1		4A4T84206 1
47	CV-4700 923	Roller Lever Ass'y	1	1		3A92E4159 A
48	—	Tapping Screw 4x25	5			M7201426
49	CV-EX5300 045	Dusting Brush (U37)	1	1		3V22A5700 J
50	CV-EX5300 046	Crevice Nozzle(CAO)	1	1		2V2EA7643 4
51	CV-5100 932	Rug And Floor Tool(D-321)	1	1	INC 52-59	1V2206592 S
52	CV-EX5300 044	Bumper	1	1		2A8L17858 2
53	CV-7501 046	Roller Ass'y	2	2		4L9253928 B
54	CV-7501 045	Brush (B)	1	1		4V2253929 B
55	CV-5100 934	Curved Pipe	1	1		2L36A3034 3
56	CV-7501 044	Suction Keeper Ass'y	1	1		4V2254931 A
57	CV-6500 023	Spring	2	2		4A4T38251 1
58	—	Wire	1			4A3W54024 1
59	—	Tapping Screw 4x14	6			M7201423
60	CV-590 904	Extension Pipe(CS)	2	1		2A1NA4274 2
61	CV-4700 924	Hose Ass'y	1	1	INC 62-65,69,70	1A12A3203 G
62	CV-5100 937	Curved Pipe Ass'y	1	1	INC 63,69,70	2V2ZA8751 B
63	—	Suction Control	1			3A2U58920 9
64	CV-4300 928	Hose	1	1		2A1UA0123 5
65	CV-4700 925	Hose Connector(B)Ass'y	1	1	INC 69,70	1A1ZE4136 B
66	CV-4300 931	Fuse (6.3A)	1	1		2J82A7244 F
67	Sales Item	Paper Bag(5pcs)	1			3L4ZD2095 A
68	CV-4700 926	Cloth Bag	1	1		2L4ZC1894 A
69	—	Seal Ring	2			3A2RC7604 1
70	—	Stopper Ring	2			3A2QC7605 1
* 71	CV-4800 904	Volume Knob	1	1		2A3J89971 1
* 72	CV-4800 905	FLS Cap Assy	1	1		3V17E6408 A
* 73	CV-4800 906	Triac PWB	1	1		2J4ZB3486 H
* 74	CV-4800 907	Power Control PWB	1	1		2J4ZB3484 D
75	CV-5300 910	Noise Suppressor Coil	1	1		3B1ZD1825 A
* 76	CV-4800 908	Extention Pipe Ass'y	1	1	INC 77	2V2ZC0403 C
77	—	Pile Hook Ass'y	1		INC 78	2V2ZC0403 B
78	—	LH Screw 4x16	1			4A3F71212 2

7.6 127V EDISON PLUG TYPE

7.6.1 TABLE OF PARTS MODEL CV-4700

NO.	PARTS NO.	DESCRIPTION	Q' TY	PACKED Q' TY	REMARKS	ONLY FOR USE AT THE WORKS
1	CV-4700 901	Lower Case Ass'y	1	1	INC 4,5	1V1ZA5604 D
2	—	Lower Case	1			0V1BA0860 1
3	CV-4700 902	Bumper	1	1		0A8LA0863 1
4	CV-F195 003	Caster Ass'y	1	1		3V1ZC5291 C
5	CV-F190T 003	Wheel 100(GRAY)	2	1		2L9333324 J
* 6	CV-4700 929	Motor Ass'y	1	1	INC 7,11,12	2K55C1388 D
7	CV-2500 944	Carbon Brush Ass'y	2	1		2C6ZA2991 G
8	—	Screw M4x14	4			4M6455150 1
9	CV-2500 912	Noise Suppressor(VDE)	1	1		2J1833291 2
10	—	Tapping Screw 4x8	1			M7202200
11	CV-4700 904	Gasket(LG)	1	1		3A8LE3878 1
12	CV-FX310T 026	Gasket (R)	1	1		3A8LA1668 J
13	CV-7501 011	Silencer	1	1		3A8PA4176 1
14	CV-4700 905	Cord Reel Ass'y(WITHOUT CORD)	1	1	INC 15-22	2A9ZB9862 G
15	—	Reel(A)Ass'y	1			2A9ZB9858 A
16	CV-2500 915	Contact Supporter Ass'y	1	1	INC 17,18	2A9ZA3742 A
17	CV-7501 014	Contact Ass'y	2	2		4B1Z53727 A
18	—	Tapping Screw 4x12	2			M7201422
19	CV-2650 922	Reel (B) EX2	1	1		1A9HA1221 2
20	CV-PF40WD 041	Fiber Plate	1	1		4A3PA3268 1
21	—	Tapping Screw 4x16	4			M7201424
22	—	Slip Ring Supporter Ass'y	1			2V1ZC0569 C
23	CV-4700 906	Cord Stopper	1	1		2A9LB9969 1
24	CV-2500 946	Cord(EDISON)	1	1		2B1X18948 4
25	CV-4700 908	Filter Supporter	1	1		1V1YA5484 1
26	CV-2500 925	Blower Spring	1	1		4A4VA5773 1
27	CV-4700 909	FS Holder	1	1		1V1YA5577 1
28	—	Tapping Screw 4x25	1			M7201426
29	CV-4700 910	P Filter	1	1		3A8SE3946 1
30	CV-4700 911	Dust Case Ass'y	1	1	INC 31,32	1V1ZA5603 E
31	—	Dust Case Finishing	1			2V1ZC1348 A
32	CV-4700 912	Clamp	1	1		1A39A5485 1
33	CV-4700 913	Inner Cover	1	1		1V1YA5483 1
34	CV-FX310T 012	Inlet Packing (P)	1	1		3L44A1671 1
35	CV-4700 914	Dust Indicator	1	1		3A4GE3019 A
36	—	Tapping Screw 4x16	3			M7201424
37	CV-4700 915	Motor Cover Ass'y	1	1		2V1ZC0396 A
* 38	CV-4700 930	Switch Ass'y	1	1		3J8ZE4160 B
39	—	Tapping Screw 4x25	2			M7201426
40	CV-4700 917	Upper Case	1	1		0V1BA0861 1
41	CV-4700 918	Poket Cover	1	1		1V1YA5481 1
42	CV-4700 919	Filter Case	1	1		1V1YA5486 1



NO.	PARTS NO.	DESCRIPTION	Q' TY	PACKED Q' TY	REMARKS	ONLY FOR USE AT THE WORKS
43	CV-4800 903	Clean Filter	1	1		3L47E4033 A
44	CV-4700 921	Reel Pedal	1	1		2A4FB9968 1
45	CV-4700 922	Switch Pedal	1	1		2A4FB9967 1
46	CV-F100 026	Pedal Spring	2	1		4A4T84206 1
47	CV-4700 923	Roller Lever Ass'y	1	1		3A9ZE4159 A
48	—	Tapping Screw 4x25	5			M7201426
49	CV-EX5300 045	Dusting Brush (U37)	1	1		3V2ZA5700 J
50	CV-EX5300 046	Crevice Nozzle(C40)	1	1		2V2EA7643 A
51	CV-5100 932	Rug And Floor Tool(D-321)	1	1	INC 52-59	1V2Z06592 S
52	CV-EX5300 044	Bumper	1	1		2A8L17858 2
53	CV-7501 046	Roller Ass'y	2	2		4L9Z53928 B
54	CV-7501 045	Brush (B)	1	1		4V2Z53929 B
55	CV-5100 934	Curved Pipe	1	1		2L36A3034 3
56	CV-7501 044	Suction Keeper Ass'y	1	1		4V2Z54931 A
57	CV-6500 023	Spring	2	2		4A4T38251 1
58	—	Wire	1			4A3W54024 1
59	—	Tapping Screw 4x14	6			M7201423
60	CV-590 904	Extension Pipe(GS)	2	1		2A1NA4274 2
61	CV-4700 924	Hose Ass'y	1	1	INC 62-65,69,70	1A1ZA3203 G
62	CV-EX5300 050	Curved Pipe Ass'y	1	1	INC 63,69,70	2V2ZA8751 B
63	—	Suction Control	1			3A2U58920 9
64	CV-4300 928	Hose	1	1		2A1UA0123 5
65	CV-4700 925	Hose Connector(B)Ass'y	1	1	INC 69,70	1A1ZE4136 B
66	CV-PS11ES 003	Fuse (15)	1	1		2J82A6304 C
67	Sales Item	Paper Bag(5pes)	1			3L4ZD2065 A
68	CV-4700 926	Cloth Bag	1	1		2L4ZC1894 A
69	—	Seal Ring	2			3A2RC7604 1
70	—	Stopper Ring	2			3A2QC7605 1
71	CV-4800 904	Volume Knob	1	1		2A3JB9971 1
72	CV-4800 905	FLS Cap Assy	1	1		3V1ZE3408 A
* 73	CV-4800 909	Triac PWB	1	1		2J4ZB3486 G
* 74	CV-4800 910	Power Control PWB	1	1		2J4ZB3484 E
75	CV-5300 910	Noise Suppressor Coil	1	1		3B1ZD1825 A
76	CV-4800 908	Extention Pipe Ass'y	1	1	INC 77	2V2ZD403 C
77	—	Pile Hook Ass'y	1		INC 78	2V2ZC0403 B
78	—	LH Screw 4x16	1			4A3F71212 2

7.7 110V EDISON PLUG TYPE

7.7.1 TABLE OF PARTS MODEL CV-4700

NO.	PARTS NO.	DESCRIPTION	Q' TY	PACKED Q' TY	REMARKS	ONLY FOR USE AT THE WORKS
1	CV-4700 901	Lower Case Ass'y	1	1	INC 4,5	1V1ZA5604 D
2	—	Lower Case	1			0V1BA0860 1
3	CV-4700 902	Bumper	1	1		0A8LA0863 1
4	CV-F195 003	Caster Ass'y	1	1		3V1ZC5291 C
5	CV-F190T 003	Wheel 100(GRAY)	2	1		2L9333324 J
* 6	CV-4700 931	Motor Ass'y	1	1	INC 7,11,12	2K55C1388 F
7	CV-2500 944	Carbon Brush Ass'y	2	1		2C6ZA2991 G
8	—	Screw M4X14	4			4H6455150 1
9	CV-2500 912	Noise Suppressor(VDE)	1	1		2J1833291 2
10	—	Tapping Screw 4x8	1			M7202200
11	CV-4700 904	Gasket(LG)	1	1		3A8LE3878 1
12	CV-FX310T 026	Gasket (R)	1	1		3A8LA1668 1
13	CV-7501 011	Silencer	1	1		3A8P44176 1
14	CV-4700 905	Cord Reel Ass'y(WITHOUT CORD)	1	1	INC 15-22	2A9ZB9962 G
15	—	Reel(A)Ass'y	1			2A9ZB9858 A
16	CV-2500 915	Contact Supporter Ass'y	1	1	INC 17,18	2A9ZA3742 A
17	CV-7501 014	Contact Ass'y	2	2		4B1Z53727 A
18	—	Tapping Screw 4x12	2			M7201422
19	CV-2650 922	Reel (B) EX2	1	1		1A9HA1221 2
20	CV-PF40WD 041	Fiber Plate	1	1		4A3PA3268 1
21	—	Tapping Screw 4x16	4			M7201424
22	—	Slip Ring Supporter Ass'y	1			2V1ZC0569 C
23	CV-4700 906	Cord Stopper	1	1		2A9LB9969 1
24	CV-2500 946	Cord(EDISON)	1	1		2B1X18948 4
25	CV-4700 908	Filter Supporter	1	1		1V1YA5484 1
26	CV-2500 925	Blower Spring	1	1		4A4VA5773 1
27	CV-4700 909	FS Holder	1	1		1V1YA5577 1
28	—	Tapping Screw 4x25	1			M7201426
29	CV-4700 910	P Filter	1	1		3A8SE3946 1
30	CV-4700 911	Dust Case Ass'y	1	1	INC 31,32	1V1ZA5603 E
31	—	Dust Case Finishing	1			2V1ZC1348 A
32	CV-4700 912	Clamp	1	1		1A39A5485 1
33	CV-4700 913	Inner Cover	1	1		1V1YA5483 1
34	CV-FX310T 012	Inlet Packing (P)	1	1		3L44A1671 1
35	CV-4700 914	Dust Indicator	1	1		3A4GE3019 A
36	—	Tapping Screw 4x16	3			M7201424
37	CV-4700 915	Motor Cover Ass'y	1	1		2V1ZC0396 A
38	CV-4700 930	Switch Ass'y	1	1		3J8ZE4160 B
39	—	Tapping Screw 4x25	2			M7201426
40	CV-4700 917	Upper Case	1	1		0V1BA0861 1
41	CV-4700 918	Poket Cover	1	1		1V1YA5481 1
42	CV-4700 919	Filter Case	1	1		1V1YA5486 1



7.7.2 TABLE OF PARTS MODEL CV-4800

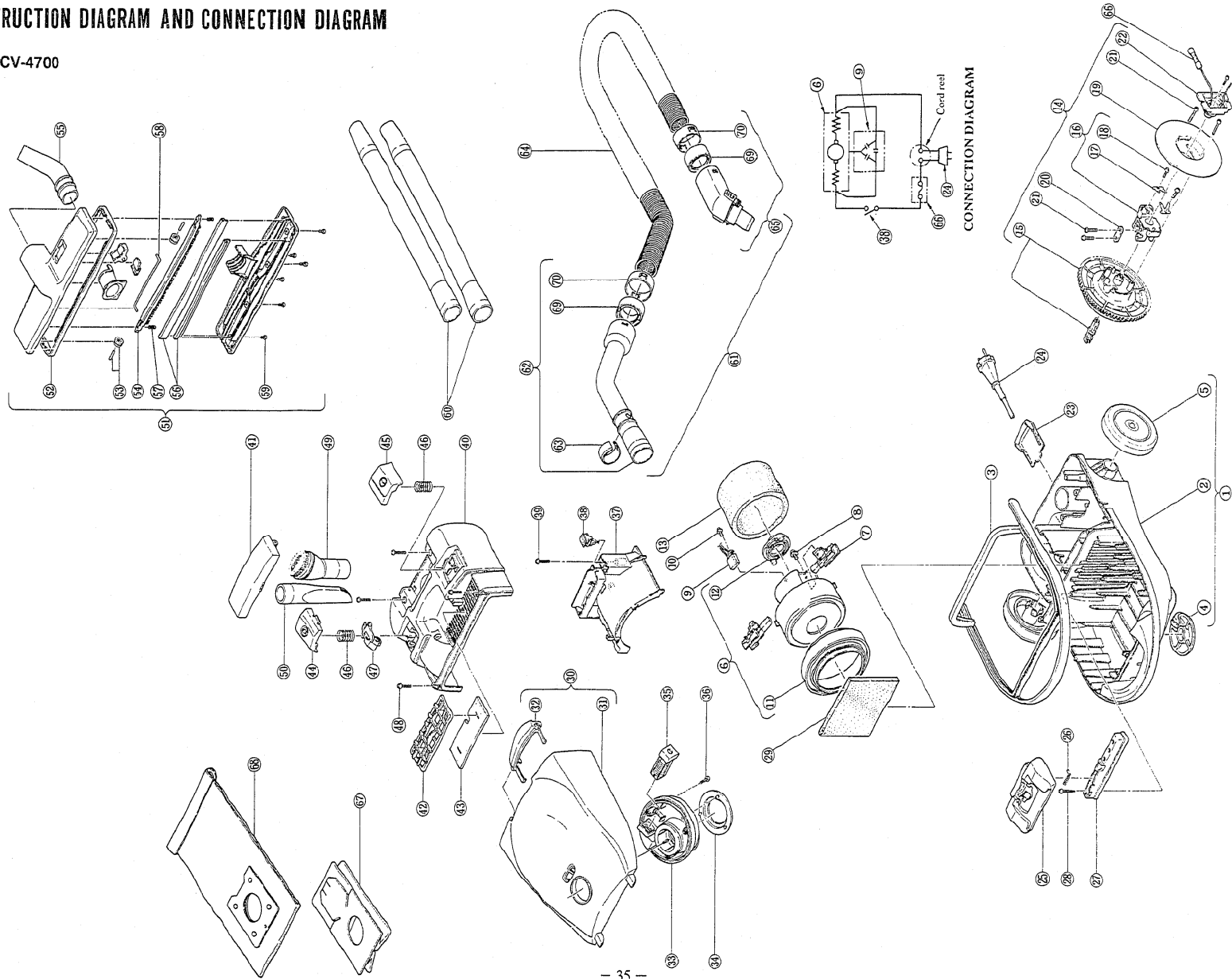
NO.	PARTS NO.	DESCRIPTION	Q'TY	PACKED Q'TY	REMARKS	ONLY FOR USE AT THE WORKS
43	CV-4700 920	R Filter	1	1		3A8SE4032 1
44	CV-4700 921	Reel Pedal	1	1		2A4FB9968 1
45	CV-4700 922	Switch Pedal	1	1		2A4FB9967 1
46	CV-F100 026	Pedal Spring	2	1		4A4T84206 1
47	CV-4700 923	Roller Lever Ass'y	1	1		3A9ZE4159 A
48	—	Tapping Screw 4x25	5			N7201426
49	CV-EX5300 045	Dusting Brush (U37)	1	1		3V2ZA5700 J
50	CV-EX5300 046	Crevice Nozzle(C40)	1	1		2V2EA7643 4
51	CV-5100 932	Rug And Floor Tool(D-321)	1	1	INC 52-59	1V2Z06592 S
52	CV-EX5300 044	Bumper	1	1		2A8L17858 2
53	CV-7501 046	Roller Ass'y	2	2		4L9Z53928 B
54	CV-7501 045	Brush (B)	1	1		4V2Z53929 B
55	CV-5100 934	Curved Pipe	1	1		2L36A3034 3
56	CV-7501 044	Suction Keeper Ass'y	1	1		4V2Z54931 A
57	CV-6500 023	Spring	2	2		4A4T38251 1
58	—	Wire	1			4A3A54024 1
59	—	Tapping Screw 4x14	6			N7201423
60	CV-2500 958	Extension Pipe	2	1		2A1N22597 E
61	CV-4700 924	Hose Ass'y	1	1	INC 62-65,69,70	1A1ZA3209 G
62	CV-EX5300 050	Curved Pipe Ass'y	1	1	INC 63,69,70	2V2ZA8751 B
63	—	Suction Control	1			3A2U58920 9
64	CV-4300 928	Hose	1	1		2A1UA0123 5
65	CV-4700 925	Hose Connector(B)Ass'y	1	1	INC 69,70	1A1ZE4136 B
66	CV-5100 943	Fuse (15)	1	1		2J82A6304 C
67	Sales Item	Paper Bag(5pes)	1			3L4ZD2095 A
68	CV-4700 926	Cloth Bag	1	1		2L4ZC1894 A
69	—	Seal Ring	2			3A2RC7604 1
70	—	Stopper Ring	2			3A2QC7605 1

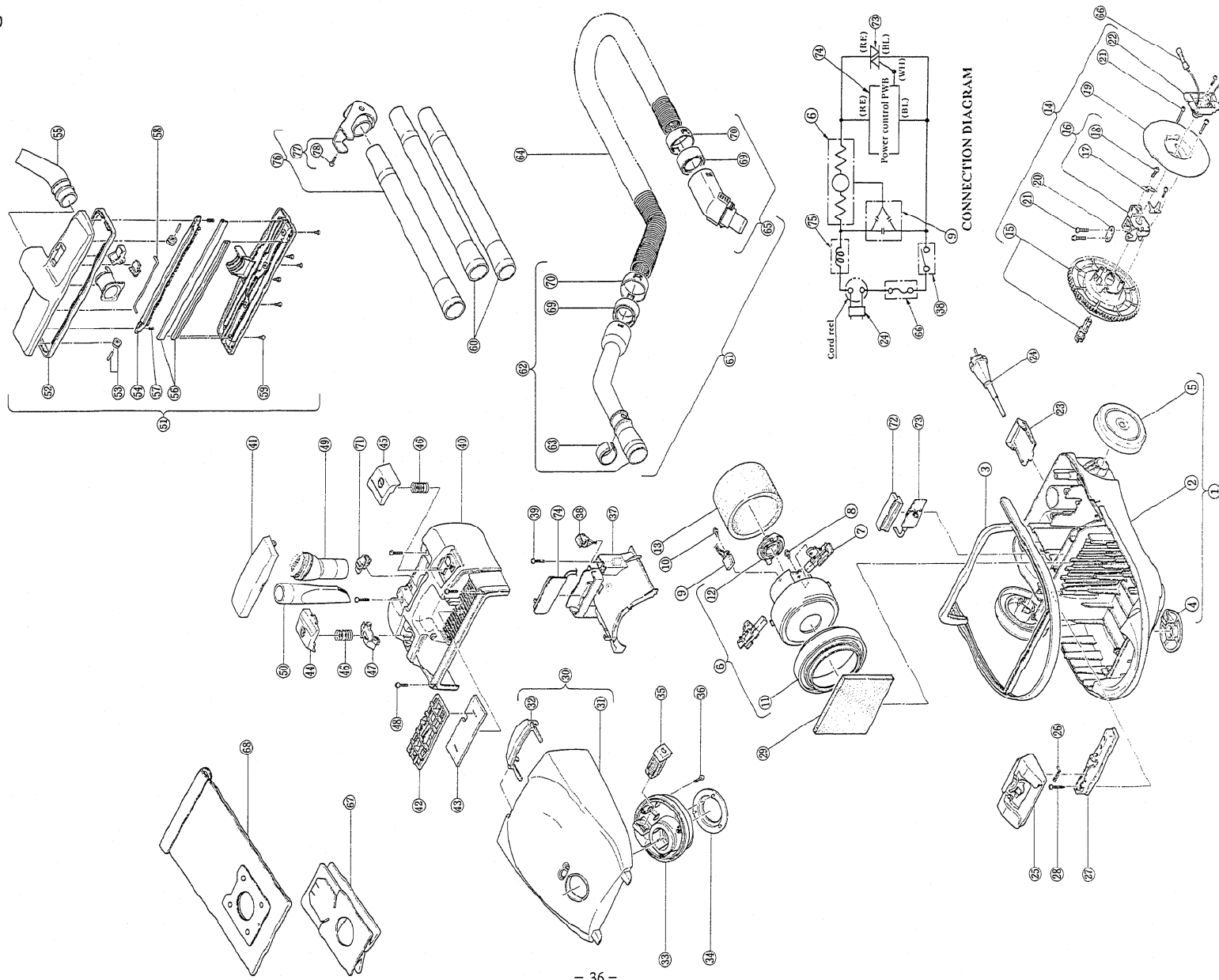
NO.	PARTS NO.	DESCRIPTION	Q'TY	PACKED Q'TY	REMARKS	ONLY FOR USE AT THE WORKS
1	CV-4800 901	Lower Case Ass'y	1	1	INC 4,5	1V1ZA5604 C
2	—	Lower Case	1			1V1ZA5605 A
3	CV-4700 902	Bumper	1	1		0A8LA0863 1
4	CV-F186 003	Caster Ass'y	1	1		3V1ZC5291 C
5	CV-F190T 003	Wheel 100(GRAY)	2	1		2L9333324 J
6	CV-4700 931	Motor Ass'y	1	1	INC 7,11,12	2A55C1388 F
7	CV-2500 944	Carbon Brush Ass'y	2	1		2C6ZA2991 G
8	—	Screw M4x14	4			4M6455150 1
9	CV-2500 912	Noise Suppressor(VDE)	1	1		2L1833291 Z
10	—	Tapping Screw 4x8	1			N7202200
11	CV-4700 904	Gasket(LG)	1	1		3A8LE3878 1
12	CV-FX310T 026	Gasket (R)	1	1		3A8LA1668 1
13	CV-7501 011	Silencer	1	1		3A8P41176 1
14	CV-4700 905	Cord Reel Ass'y(WITHOUT CORD)	1	1	INC 15-22	2A9ZB9862 G
15	—	Reel(A) Ass'y	1			2A9ZB9858 A
16	CV-2500 915	Contact Supporter Ass'y	1	1	INC 17,18	2A9ZA3742 A
17	CV-7501 014	Contact Ass'y	2	2		4B1Z53727 A
18	—	Tapping Screw 4x12	2			N7201422
19	CV-2650 922	Reel (B) EX2	1	1		1A9HA1221 2
20	CV-PF40WD 041	Fiber Plate	1	1		4A3PA3268 1
21	—	Tapping Screw 4x16	4			N7201424
22	—	Slip Ring Supporter Ass'y	1			2V1ZC0569 C
23	CV-4700 906	Cord Stopper	1	1		2A9LR9969 1
24	CV-2500 946	Cord(EDISON)	1	1		2B1X18948 4
25	CV-4700 908	Filter Supporter	1	1		1V1YA5484 1
26	CV-2500 925	Blower Spring	1	1		4A4VA5773 1
27	CV-4700 909	FS Holder	1	1		1V1YA5577 1
28	—	Tapping Screw 4x25	1			N7201426
29	CV-4700 910	P Filter	1	1		3A8SE3046 1
30	CV-4700 911	Dust Case Ass'y	1	1	INC 31,32	1V1ZA5603 E
31	—	Dust Case Finishing	1			2V1ZC1348 A
32	CV-4700 912	Clamp	1	1		1A39A5485 1
33	CV-4700 913	Inner Cover	1	1		1V1YA5483 1
34	CV-FX310T 012	Inlet Packing (P)	1	1		3L44A1671 1
35	CV-4700 914	Dust Indicator	1	1		3A4GE3019 A
36	—	Tapping Screw 4x16	3			N7201424
37	CV-4700 915	Motor Cover Ass'y	1	1		2V1ZC0386 A
38	CV-4700 930	Switch Ass'y	1	1		3J8ZE4160 B
39	—	Tapping Screw 4x25	2			N7201426
40	CV-4800 902	Upper Case	1	1		2V1ZC0362 A
41	CV-4700 918	Pocket Cover	1	1		1V1YA5481 1
42	CV-4700 919	Filter Case	1	1		1V1YA5486 1

NO.	PARTS NO.	DESCRIPTION	Q'TY	PACKED Q'TY	REMARKS	ONLY FOR USE AT THE WORKS
43	CV-4800 903	Clean Filter	1	1		3L47E4033 A
44	CV-4700 921	Reel Pedal	1	1		244FB9968 1
45	CV-4700 922	Switch Pedal	1	1		244FB9987 1
46	CV-F100 026	Pedal Spring	2	1		444T84206 1
47	CV-4700 923	Roller Lever Ass'y	1	1		3A9ZE4159 A
48	-----	Tapping Screw 4x25	5			M7201426
49	CV-EX5300 045	Dusting Brush (U37)	1	1		3V2ZA5700 J
50	CV-EX5300 046	Crevice Nozzle(C40)	1	1		2V2EA7643 4
51	CV-5100 932	Rug And Floor Tool(D-321)	1	1	INC 52-59	1V2Z06592 S
52	CV-EX5300 044	Bumper	1	1		2A8L17858 2
53	CV-7501 046	Roller Ass'y	2	2		4L9Z53928 B
54	CV-7501 045	Brush (B)	1	1		4V2Z53929 B
55	CV-5100 934	Curved Pipe	1	1		2L36A3034 3
56	CV-7501 044	Suction Keeper Ass'y	1	1		4V2Z54931 A
57	CV-6500 023	Spring	2	2		444T38251 1
58	-----	Wire	1			4A9W54024 1
59	-----	Tapping Screw 4x14	6			M7201423
60	CV-590 904	Extension Pipe(CS)	2	1		2A1NA4274 2
61	CV-4700 924	Hose Ass'y	1	1	INC 62-65,69,70	1A1ZA3203 G
62	CV-EX5300 050	Curved Pipe Ass'y	1	1	INC 63,69,70	2V2ZA8751 B
63	-----	Suction Control	1			3A2U58920 9
64	CV-4300 928	Hose	1	1		2A1UA0123 5
65	CV-4700 925	Hose Connector(B)Ass'y	1	1	INC 69,70	1A1ZE4136 B
66	CV-5100 943	Fuse (15)	1	1		2J82A6304 C
67	Sales Item	Paper Bag(5pcs)	1			3L4ZD2095 A
68	CV-4700 926	Cloth Bag	1	1		2LAZC1894 A
69	-----	Seal Ring	2			3A2RC7604 1
70	-----	Stopper Ring	2			3A2QC7605 1
71	CV-4800 904	Volume Knob	1	1		2A3JB9971 1
72	CV-4800 905	FLS Cap Assy	1	1		3V1ZE6408 A
73	CV-4800 909	Triac PWB	1	1		2J4ZB3486 G
74	CV-4800 910	Power Control PWB	1	1		2J4ZB3484 E
75	CV-5300 910	Noise Suppressor Coil	1	1		3B1ZD1825 A
76	CV-4800 908	Extention Pipe Ass'y	1	1	INC 77	2V2ZC0403 C
77	-----	Pile Hook Ass'y	1		INC 78	2V2ZC0403 B
78	-----	LH Screw 4x16	1			4A3P71212 2

# 8. CONSTRUCTION DIAGRAM AND CONNECTION DIAGRAM

8.1 CV-4700







Printed in Japan (HEC)

---

CV-4700  
CV-4800 TG No. 558E TAGA