

HITACHI

SM0103



SERVICE MANUAL MANUEL D'ENTRETIEN WARTUNGSHANDBUCH

HTA-DD3E
HTA-DD3EBS
HTA-DD3W
HTA-DD3WUN
HTA-DD3WAU

CAUTION:

Before servicing this chassis, it is important that the service technician read the "Safety Precautions" and "Product Safety Notices" in this service manual.

ATTENTION:

Avant d'effectuer l'entretien du châssis, le technicien doit lire les «Précautions de sécurité» et les «Notices de sécurité du produit» présentés dans le présent manuel.

VORSICHT:

Vor Öffnen des Gehäuses hat der Service-Ingenieur die „Sicherheitshinweise“ und „Hinweise zur Produktsicherheit“ in diesem Wartungshandbuch zu lesen.

Data contained within this Service manual is subject to alteration for improvement.

Les données fournies dans le présent manuel d'entretien peuvent faire l'objet de modifications en vue de perfectionner le produit.

Die in diesem Wartungshandbuch enthaltenen Spezifikationen können sich zwecks Verbesserungen ändern.



CONTENTS

SPECIFICATIONS.....	3
SERVICE POINTS.....	4
ADJUSTMENT.....	8
WIRING DIAGRAM.....	9
PRINTED WIRING BOARD.....	10
BLOCK DIAGRAM.....	23
SCHEMATIC DIAGRAM.....	25
EXPLODED VIEW.....	43
REPLACEMENT PARTS LIST.....	47

SPECIFICATIONS AND PARTS ARE SUBJECT TO CHANGE FOR IMPROVEMENT

AV SURROUND SYSTEM
September 2000


ENGLISH

SAFETY PRECAUTIONS

WARNING: The following precautions must be observed.

ALL PRODUCTS

Before any service is performed on the chassis an isolation transformer should be inserted between the power line and the product.

1. When replacing the chassis in the cabinet, ensure all the protective devices are put back in place.
2. When service is required, observe the original lead dressing. Extra precaution should be taken to ensure correct lead dressing in any high voltage circuitry area.
3. Many electrical and mechanical parts in HITACHI products have special safety related characteristics. These characteristics are often not evident from visual inspection, nor can the protection afforded by them necessarily be obtained by using replacement components rated for higher voltage, wattage, etc. Replacement parts which have these special safety characteristics are identified by marking with a  on the schematics and the replacement parts list.
The use of a substitute replacement component that does not have the same safety characteristics as the HITACHI recommended replacement one, shown in the parts list, may create electrical shock, fire, X-radiation, or other hazards.
4. Always replace original spacers and maintain lead lengths. Furthermore, where a short circuit has occurred, replace those components that indicate evidence of overheating.
5. Insulation resistance should not be less than 2M ohms at 500V DC between the main poles and any accessible metal parts.
6. No flashover or breakdown should occur during the dielectric strength test, applying 3kV AC or 4.25kV DC for two seconds between the main poles and accessible metal parts.
7. Before returning a serviced product to the customer, the service technician must thoroughly test the unit to be certain that it is completely safe to operate without danger of electrical shock. The service technician must make sure that no protective device built into the instrument by the manufacturer has become defective, or inadvertently damaged during servicing.

CE MARK

1. HITACHI products may contain the CE mark on the rating plate indicating that the product contains parts that have been specifically approved to provide electromagnetic compatibility to designated levels.
2. When replacing any part in this product, please use only the correct part itemised in the parts list to ensure this standard is maintained, and take care to replace lead dressing to its original state, as this can have a bearing on the electromagnetic radiation/immunity.

PICTURE TUBE

1. The line output stage can develop voltages in excess of 25kV; if the E.H.T. cap is required to be removed, discharge the anode to chassis via a high value resistor, prior to its removal from the picture tube.
2. High voltage should always be kept at the rated value of the chassis and no higher. Operating at higher voltages may cause a failure of the picture tube or high voltage supply, and also, under certain circumstances could produce X-radiation levels moderately in excess of design levels. The high voltage must not, under any circumstances, exceed 29kV on the chassis (except for projection Televisions).
3. The primary source of X-radiation in the product is the picture tube. The picture tube utilised for the above mentioned function in this chassis is specially constructed to limit X-radiation. For continued X-radiation protection, replace tube with the same type as the original HITACHI approved type
4. Keep the picture tube away from the body while handling. Do not install, remove, or handle the picture tube in any manner unless shatterproof goggles are worn. People not so equipped should be kept away while picture tubes are handled

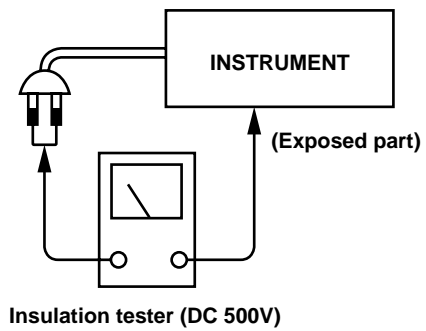
LASERS

If the product contains a laser avoid direct exposure to the beam when the cover is open or when interlocks are defeated or have failed.

Check that exposed parts are acceptably insulated from the supply circuit before returning the repaired instrument to the customer.

- Checking method

Measure the resistance value between the both poles of attachment cup (Power supply plug) and the exposed parts (Parts such as Knob, Cover, etc. where the customer is easy to touch.) and check that the resistance value is 500 kohms or more.



SAFETY PRECAUTIONS

The following precautions should be observed when servicing.

1. Since many parts in the unit have special safety-related characteristics, always use genuine Hitachi's replacement parts. Especially critical parts in the power circuit block should not be replaced with other makers. Critical parts are marked with _ in the circuit diagram and printed wiring board.
2. Before returning a repaired unit to the customer, the service technician must thoroughly test the unit to ascertain that it is completely safe to operate without danger of electrical shock.

SPECIFICATIONS

• AUDIO SECTION

(Power amplifier)	For (E, EBS)	For (W, WUN, WAU)
Rated output:	Front: 80 W + 80 W (6 Ω/ohms, 20 Hz ~ 20 kHz with 0.1 % T.H.D.) Centre: 80 W (6 Ω/ohms, 20 Hz ~ 20 kHz with 0.1 % T.H.D.) Surround: 80 W + 80 W (6 Ω/ohms, 20 Hz ~ 20 kHz with 0.1 % T.H.D.)	100 W + 100 W (EIAJ, 6 ohms) 100 W (EIAJ, 6 ohms) 100 W + 100 W (EIAJ, 6 ohms)
SINUS power:	Front: 90 W + 90 W (6 Ω/ohms, 1 kHz, 0.1 %) Centre: 90 W (6 Ω/ohms, 1 kHz, 0.1 %) Surround: 90 W + 90 W (6 Ω/ohms, 1 kHz, 0.1 %)	
Output terminals:	Front: A or B 6 to 16 Ω/ohms A + B 12 Ω/ohms or more Center/Surround: 6 to 16 Ω/ohms	
(Analog)		
LINE input		
Input sensitivity / input impedance:	200 mV / 47 kΩ/kohms	
Frequency response:	10 Hz ~ 50 kHz: +1, -3 dB	
S/N ratio:	93 dB (IHF-A weighted)	
Total harmonic distortion:	0.1% (20 Hz ~ 20 kHz)	
PHONO input-REC OUT		
Input sensitivity / input impedance:	2.5 mV / 47 kΩ/kohms	
RIAA deviation:	±1 dB (20 Hz ~ 20 kHz)	
S/N ratio:	74 dB (IHF-A weighted, with 5mV input)	
Total harmonic distortion:	0.03% (1 kHz, 3V)	
Rated output / Maximum output:	150 mV / 7V	

• VIDEO SECTION

(Composite)	
Input/output level and impedance:	1 Vp-p, 75 Ω/ohms
Frequency response:	5 Hz ~ 10 MHz +1, -3 dB
(S-Video)	
Input/output level and impedance:	Y=1 Vp-p, C=0.286 Vp-p
Frequency response:	5 Hz ~ 10 MHz +1, -3 dB
(Component)	
Input/output level and impedance:	Y=1 Vp-p, C _B =0.7 Vp-p, C _R =0.7 Vp-p
Frequency response:	5 Hz ~ 10 MHz +1, -3 dB

• TUNER SECTION

Receiving range:	[FM] (note: μV at 75Ω/ohms, 0 dBf = 1 ∞ 10 ⁻¹⁵ W) [AM]	87.50 MHz ~ 108.00 MHz (0.05 MHz step)	522 kHz ~ 1611 kHz (9 kHz step) (E, EBS) 522 kHz ~ 1611kHz (9 kHz step), 520 ~ 1710 kHz (10 kHz step) (W, WUN,WAU)
Usable sensitivity:	2.0 μV (17.2 dBf)	600 μV	
50 dB quieting sensitivity:	STEREO	23μV (38.5 dBf)	
S/N ratio:	MONO	80 dB (IHF-A weighted)	
	STEREO	75 dB (IHF-A weighted)	
Total harmonic distortion:	MONO	0.2% (1kHz)	
	STEREO	0.4% (1kHz)	

• GENERAL

Power supply:	AC 230V, 50 Hz (E,EBS), AC 110 ~ 127V/220 ~ 240V, 50/60 Hz (W, WUN,WAU)
Power consumption:	180 W (Standby mode = 1.5W)
Maximum external dimensions:	434 (W) ∞ 144 (H) ∞ 320 (D) mm
Weight:	8.1 kg

• REMOTE CONTROL UNIT (RB-DD1S)

Batteries:	R6P/AA Type (two batteries)
External dimensions:	54 (W) ∞ 172 (H) ∞ 27.2 (D) mm
Weight:	100 g (including batteries)

• Accessory supplied:	Operating instructions, Remote control unit (RB-DD1S), R6P/AA batteries, AM loop antenna and FM indoor antenna
-----------------------	---

* For purposes of improvement, specifications and design are subject to change without notice.

SERVICE POINTS

1. Removal of Top Cover

- (a) Remove 2 screws 1 from each side.
- (b) Remove 4 screws 2 from the rear plate.

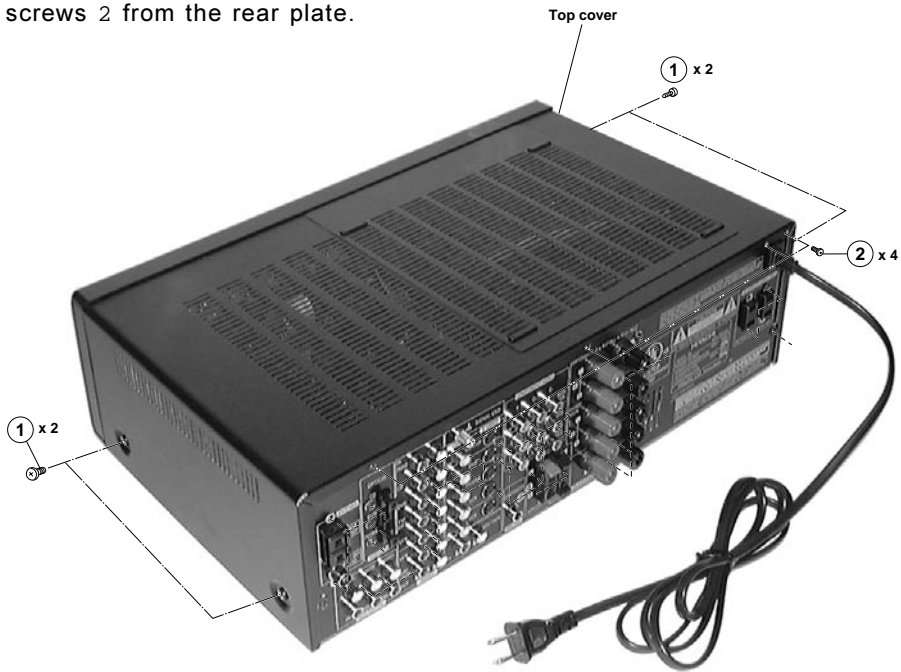


Fig. 1

2. Removal of Rear Plate

- (a) Remove 28 screws 3 and 1 screw 4 from the rear plate.
- (b) Remove 5 screws - from the Bottom Chassis.

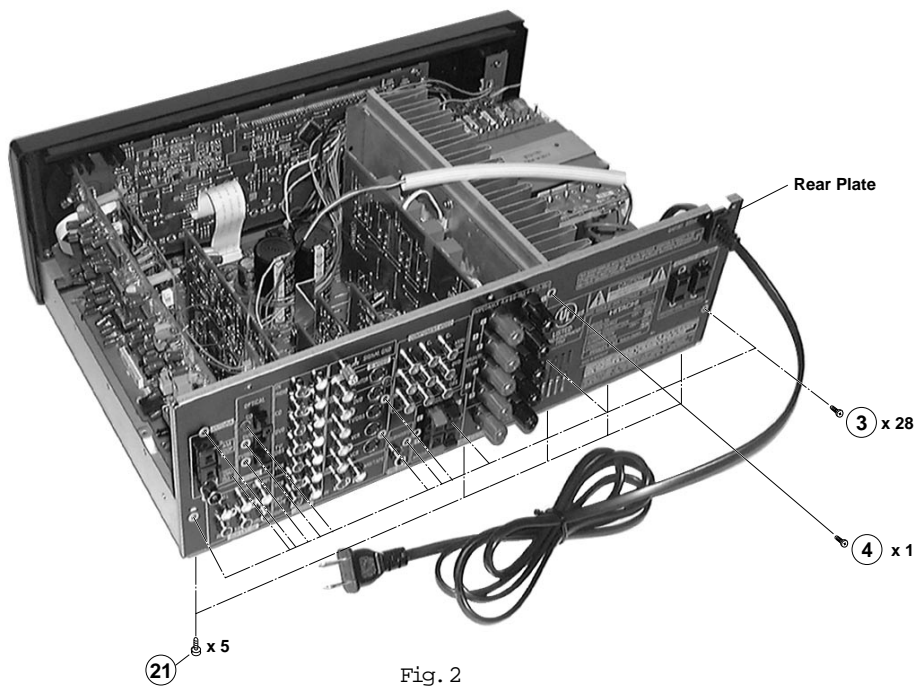


Fig. 2

3. Removal of Tuner & DSP PWB board

- (a) Remove the Push Rivet from the Holder (Front) & Holder (Back) then remove the flat cable Z at the Tuner PWB.
- (b) Remove 1 screw + to detach the shield plate from the bottom chassis.
- (c) Gently pull the Tuner & DSP PWB board upwards to detach its connectors A, B, C, D, E & F from Main PWB board.

Removal of Audio PWB board

- (a) Gently pull the Audio PWB board upwards to detach its 4 connectors H, I, J & K from Main PWB board.

Removal of S Video/Composit PWB board

- (a) Gently pull the Composit and S Video PWB board upwards to detach its 2 connectors L & M from Main PWB board.

Removal of Components PWB board

- (a) Gently pull the Components PWB board upwards to detach its connector N from Main PWB board.

Removal of Relay PWB board

- (a) Gently pull the Relay PWB board upwards to detach its 3 connectors O, P & Q from Main PWB board.

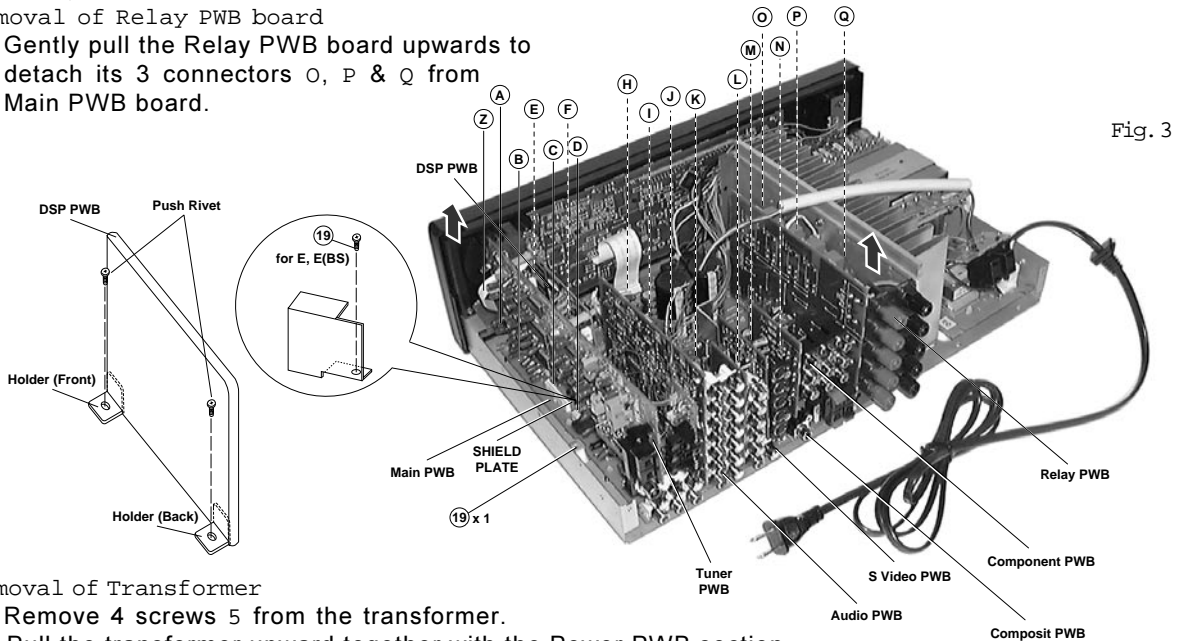


Fig. 3

4. Removal of Transformer

- (a) Remove 4 screws 5 from the transformer.
- (b) Pull the transformer upward together with the Power PWB section.

Removal of Power PWB board

- (a) Remove 1 screw 6 from the Bottom chassis at the side.
- (b) Release the Power PWB board from its 3 holding claws (PWB support) and gently pull the board free.

Removal of Main PWB board

- (a) Detach Flat Cable from FL PWB Board.
- (b) Remove 4 screws 7 to release the Power IC from the heat-sink.
- (c) Remove 3 screws , to release the bracket from the heat-sink.
- (d) Remove 1 screw 8 to release the Component from the heat-sink.

Removal of Heat-Sink

- (a) Invert the Bottom Chassis, remove 2 screws 9 connect to the heat-sink (Fig 5).

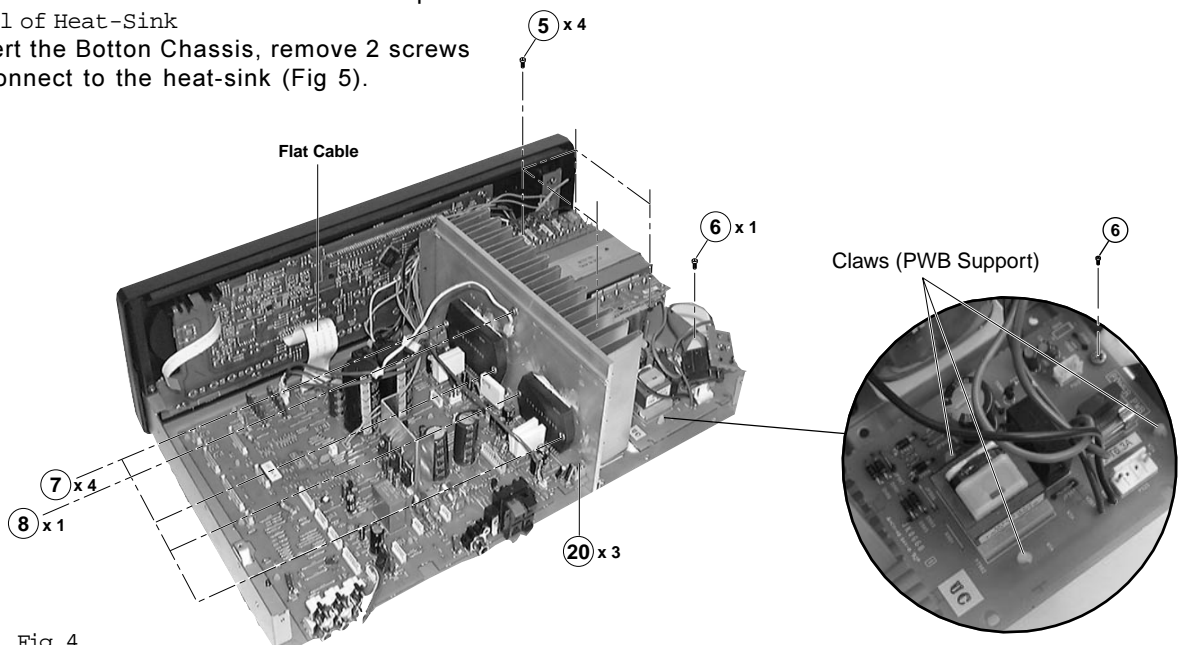


Fig. 4

5. Removal of Front Panel

- (a) Invert the Bottom Chassis and remove 4 screws !.
- (b) Remove the Master Vol. & Bass/Treble knob before remove the Front panel.

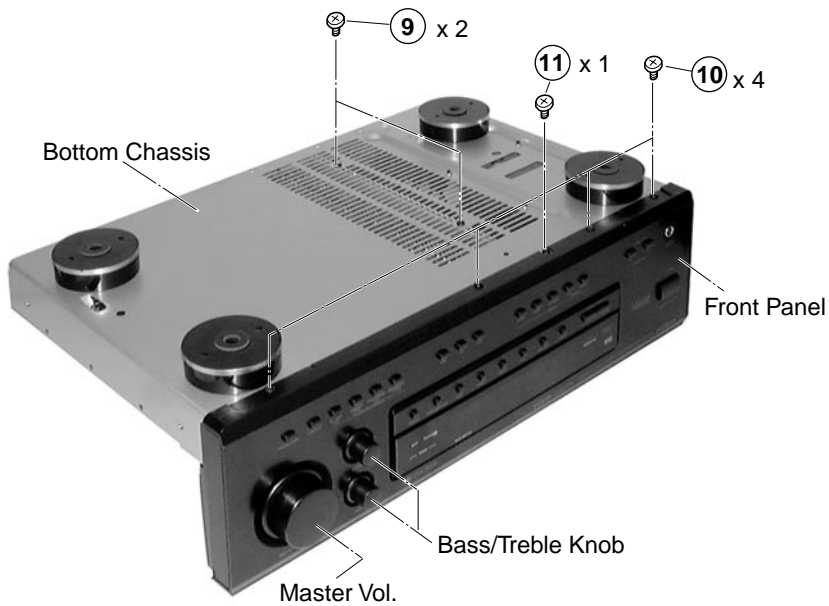


Fig. 5

6. Removal of Inner Panel, Power Switch, Phone Jack & FL board.

- (a) Release the inner panel from the bottom chassis by remove 1 screw " (Fig 5) and 2 screws #.
- (b) Remove 11 screws \$ and 3 nuts to release the FL board.
- (c) Remove 2 screws % to release the Power switch.
- (d) Remove 2 screws & to release the Phone Jack.

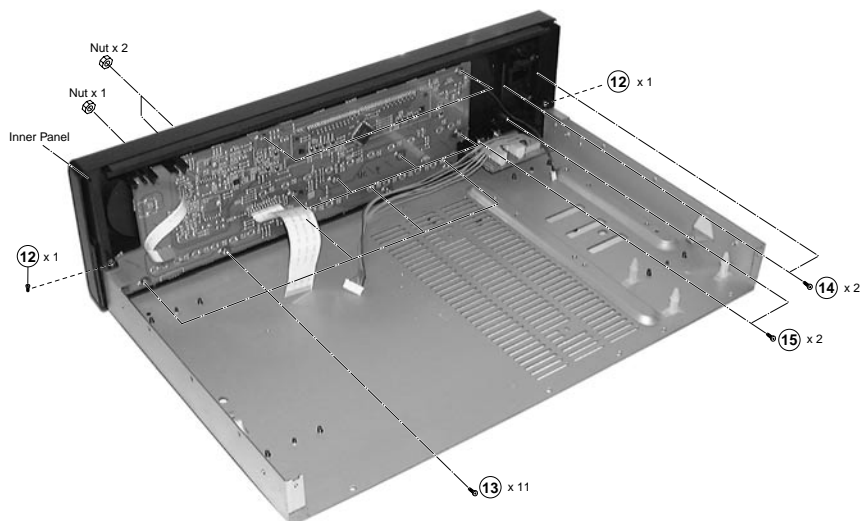


Fig. 6

7. Removal of Foot

(a) Remove 4 screws (to remove foot.

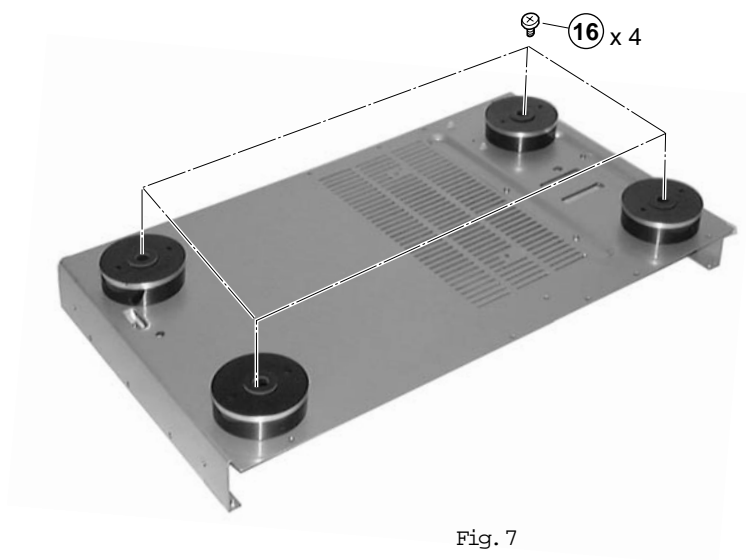


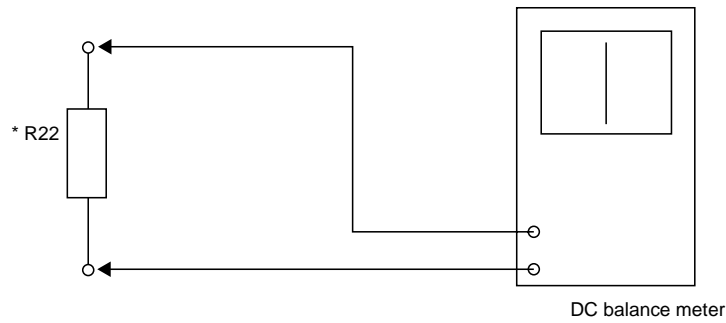
Fig. 7

ADJUSTMENTS

1) FM Discriminator

Measuring instrument and condition.

Input terminal	Output terminal	Measuring instrument	Frequency	Adjust	Reading
FM antenna 1kHz, 60dBu, 22.5kHz dev.	* R22	DC balance meter	98.1 MHz	T4	0±30mV



2) Voltage of covering (Reference)

Band	Destination	Frequency	Specification		Note
			Limit(V)	Average(V)	
FM	E/EBS (50kHz step)	87.50MHz	1.3-3.7	2.4	
		108.00MHz	6.0-9.0	7.5	
	W/WUN/WAU (50kHz step)	87.50MHz	1.3-3.7	2.4	
		108.00MHz	6.0-9.0	7.5	
AM	E/EBS (9kHz step)	522kHz	0.9-1.2	1.1	
		1,611kHz	6.0-9.0	7.5	
	W/WUN/WAU (9kHz step)	522kHz	0.9-1.2	1.1	
		1,611kHz	6.0-9.0	7.5	

3) Tuning level (dB) adjustment

Input – FM antenna, 1 KHz, 26 dB μ V, 75 KHz

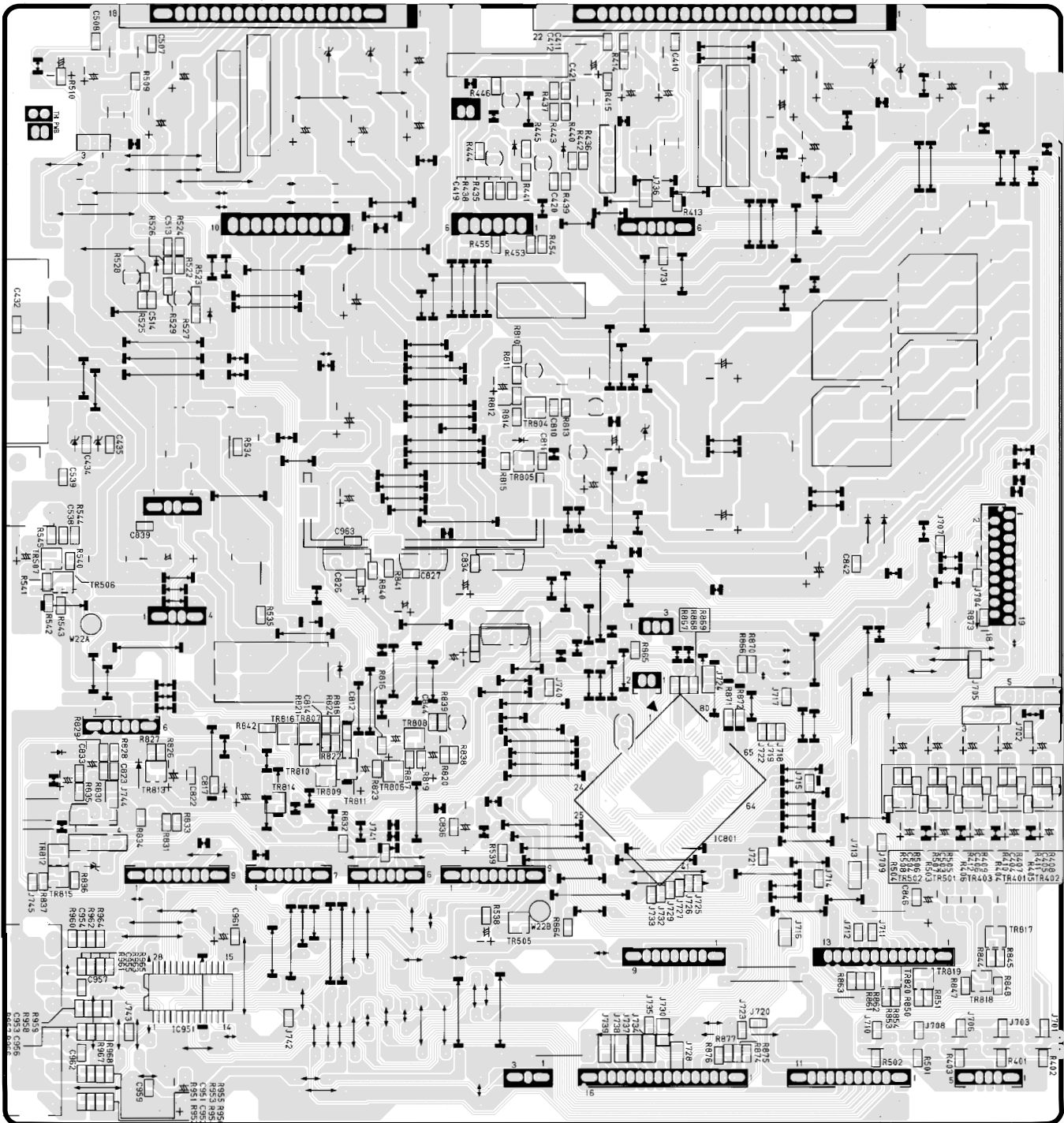
Adjust – VR1

Limit – 26±2dB

(NOTE) Adjust VRI until "Tuned" Indicator light on.

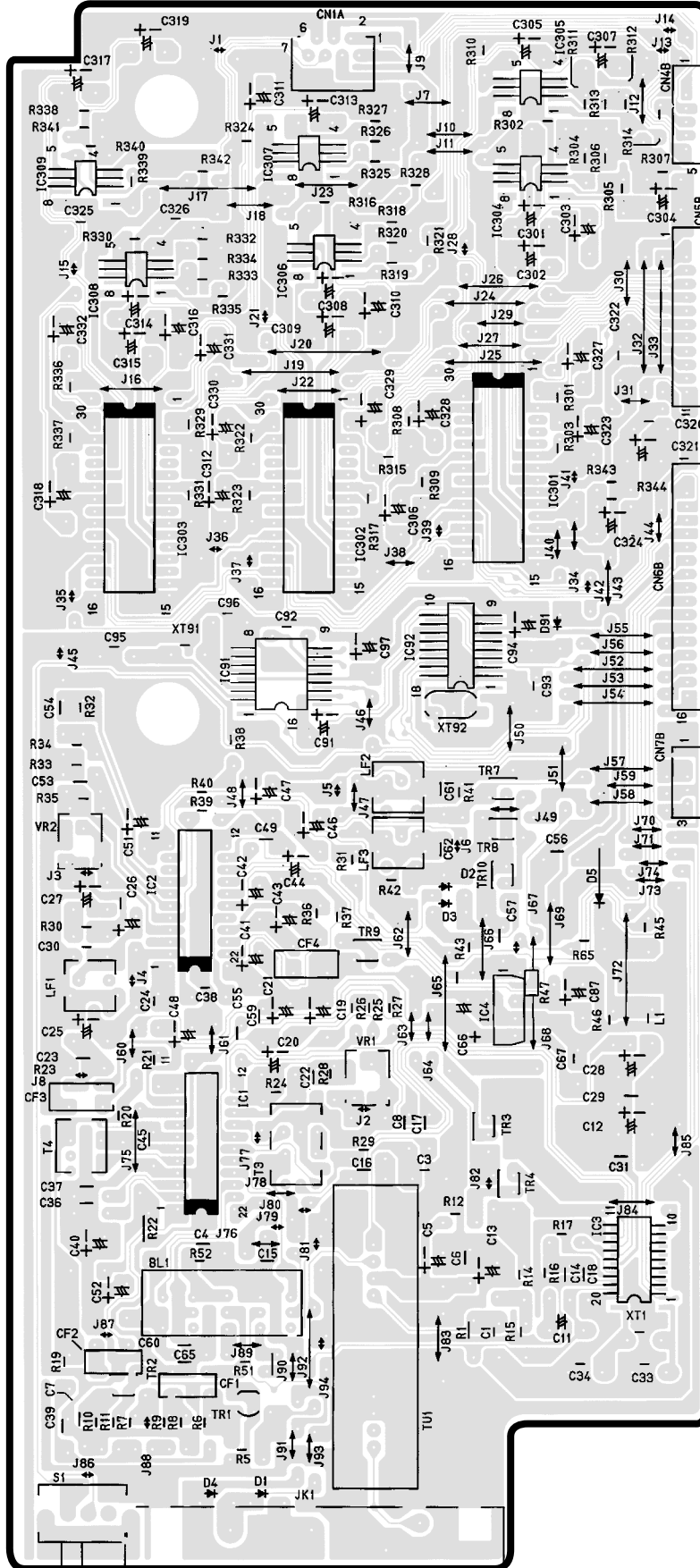
PRINTED WIRING BOARD

Soldering Side



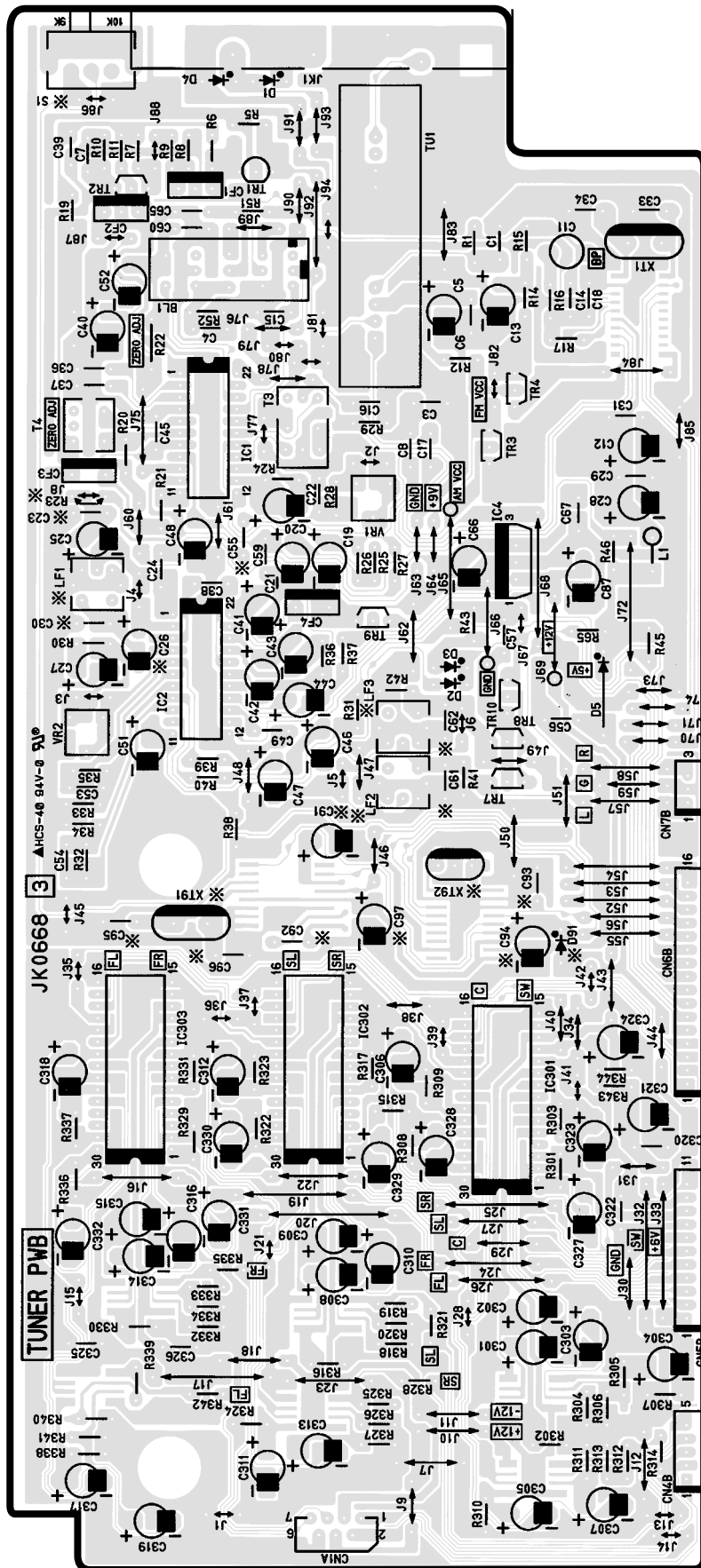
MAIN PWB

Soldering Side



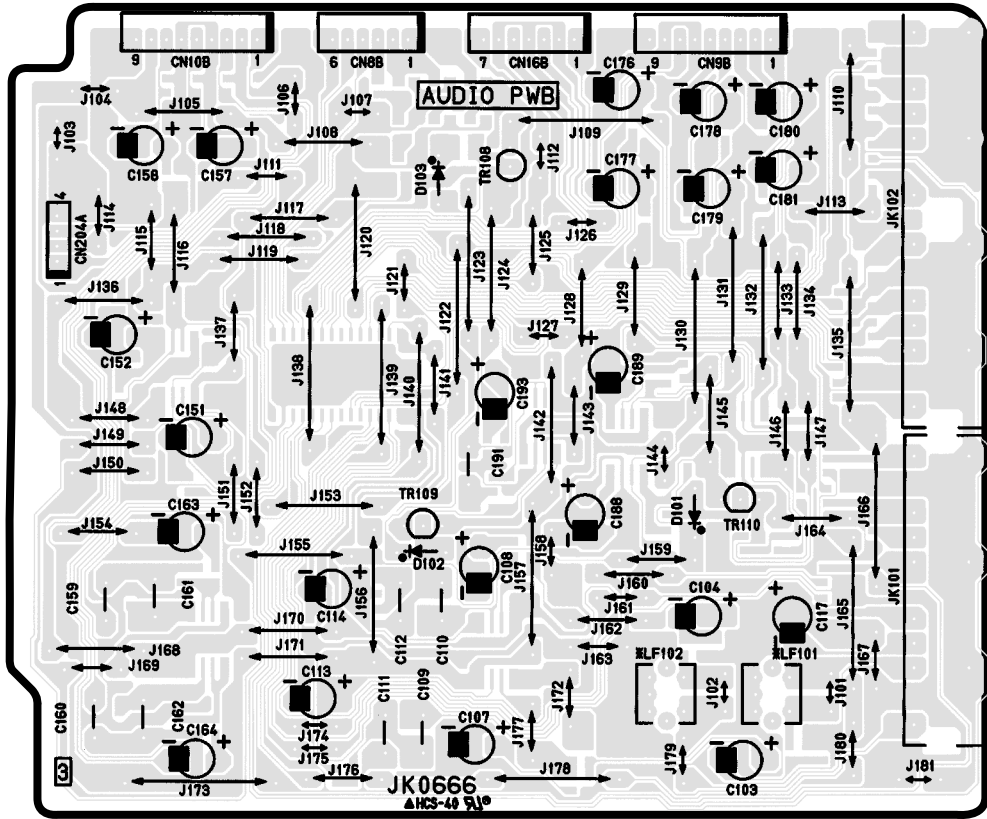
Tuner PWB

Component Side

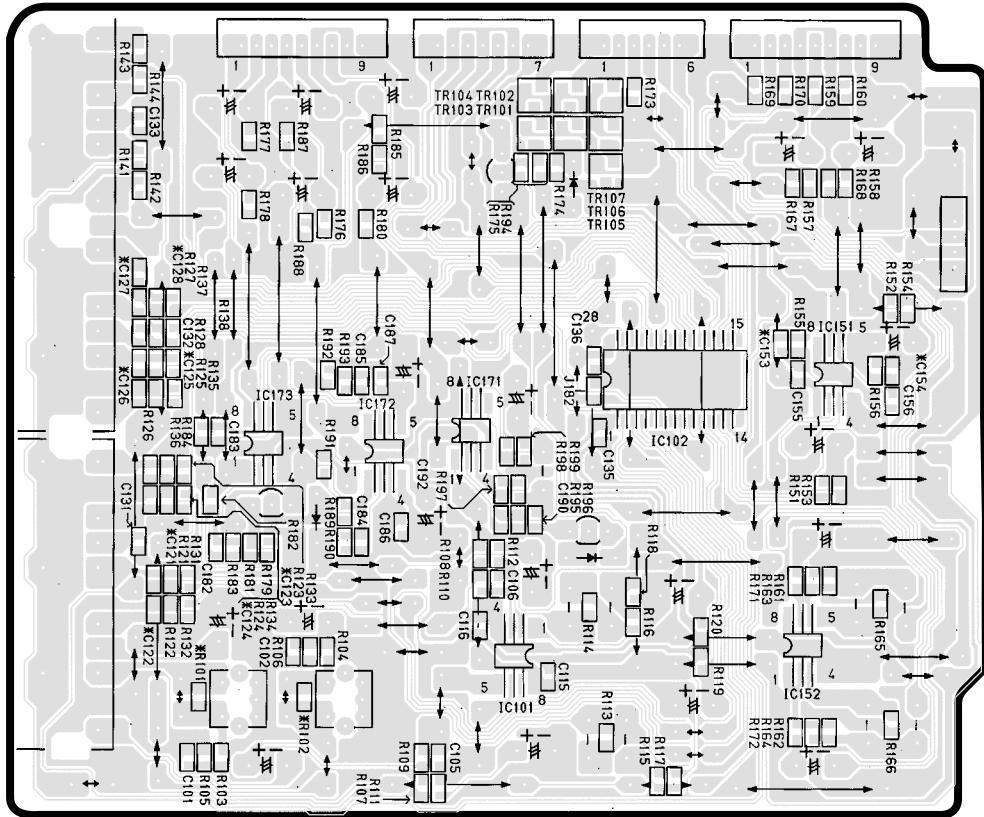


Tuner PWB

Component Side

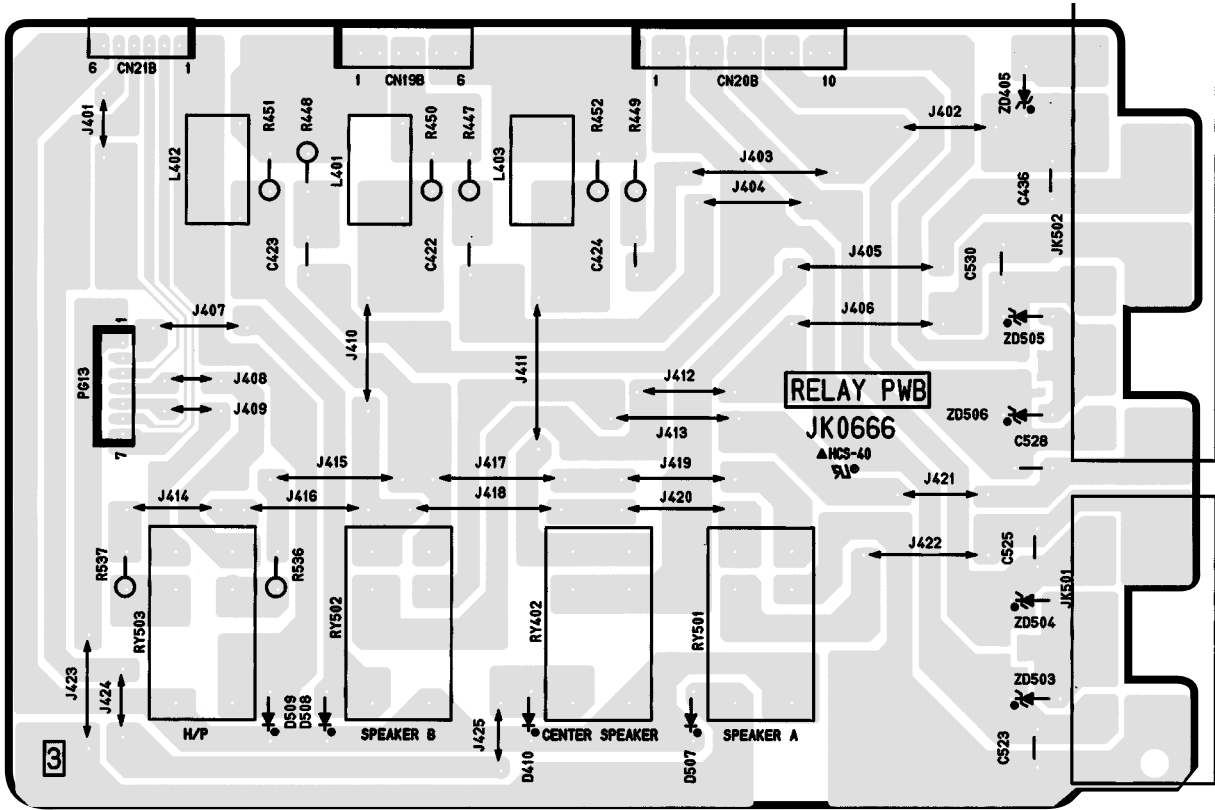


Soldering Side

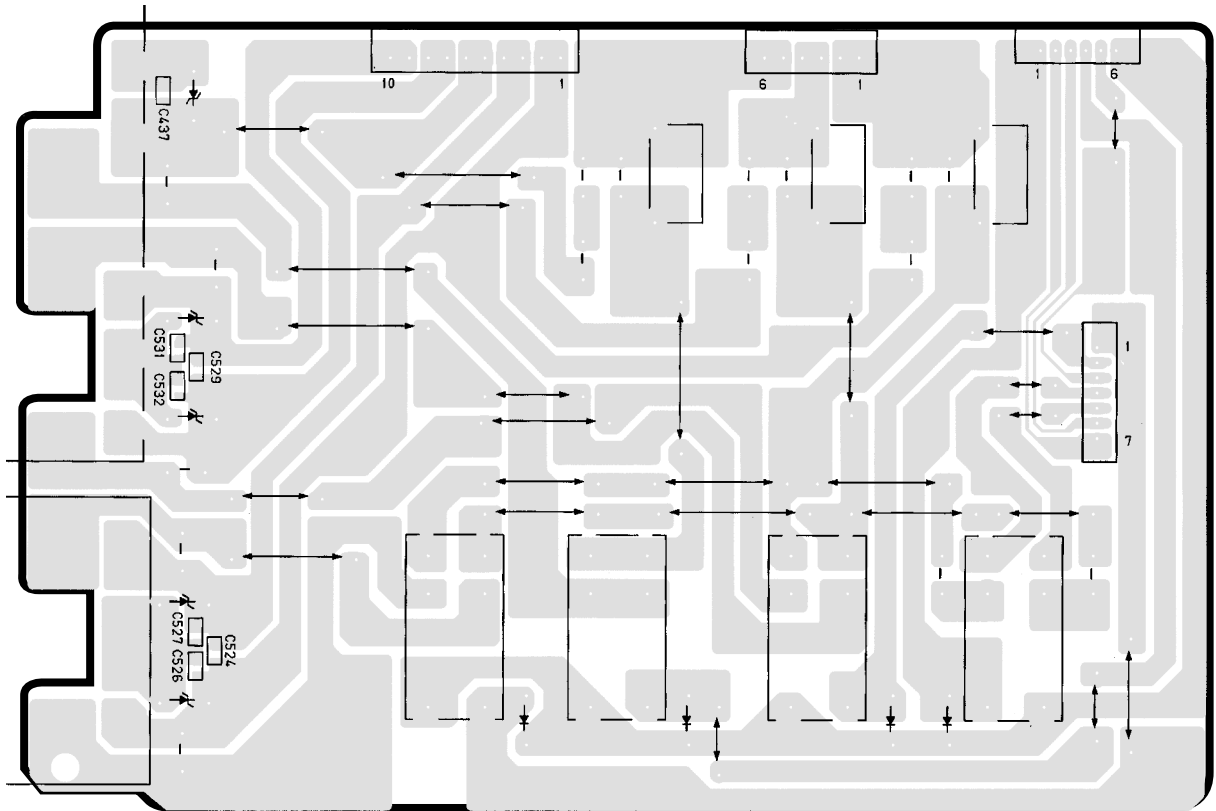


Audio PWB

Component Side

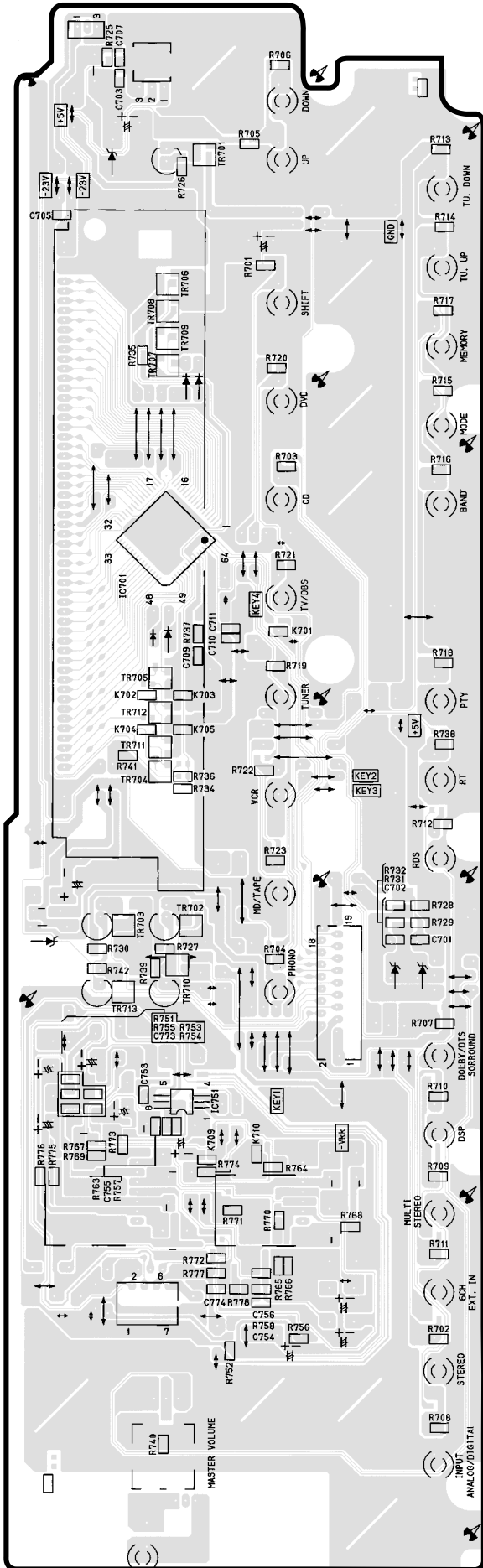


Soldering Side

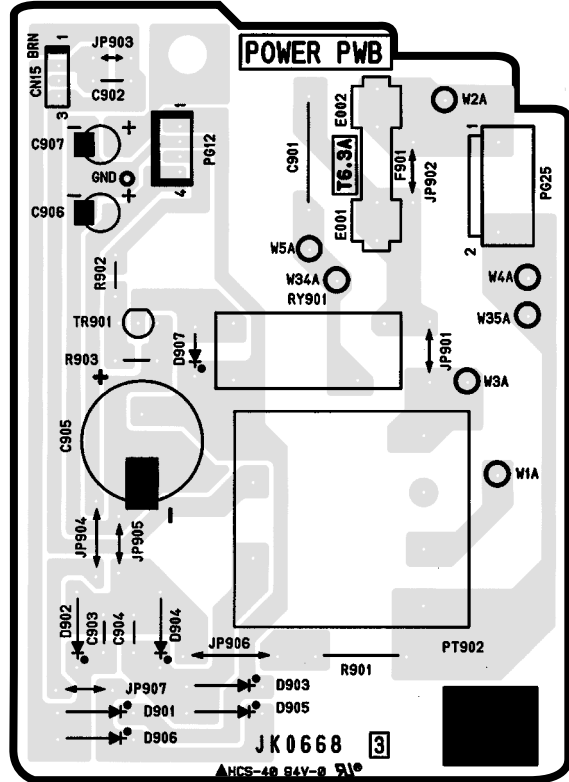


Relay PWB

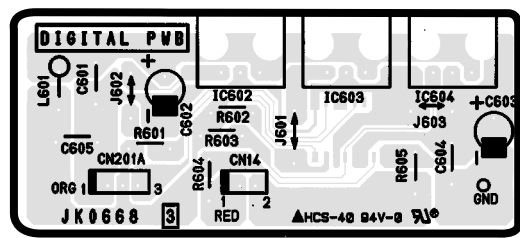
Component Side



FL PWB

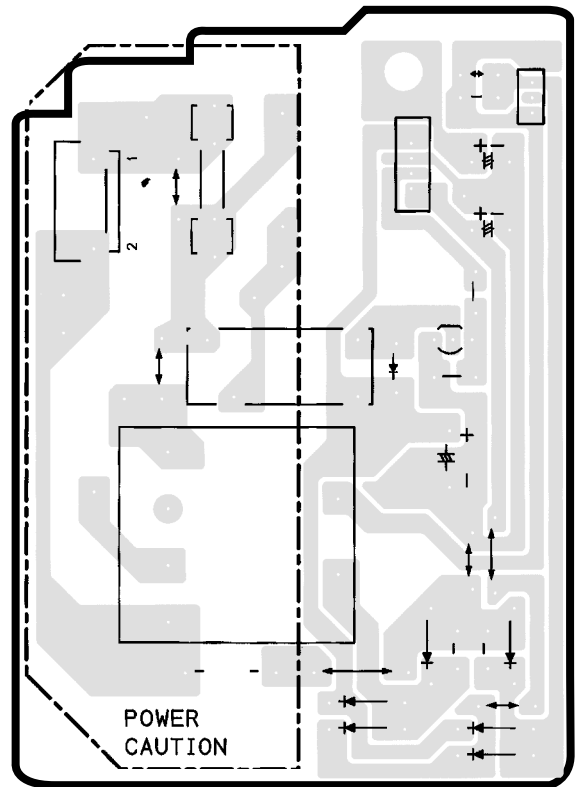
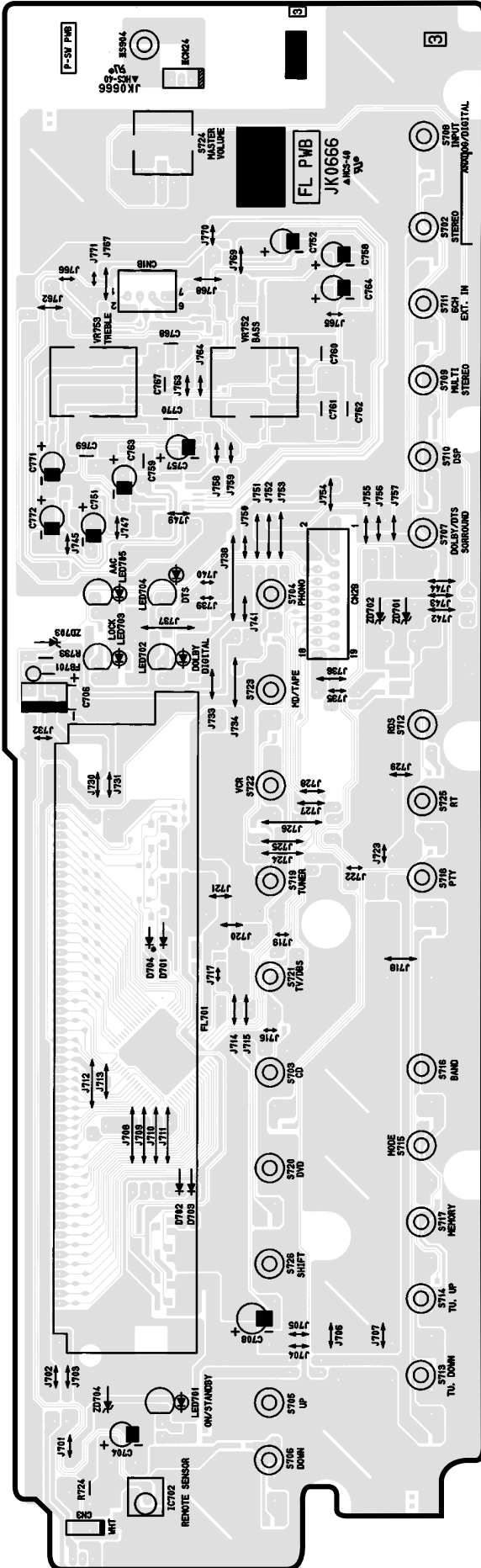


Power PWB

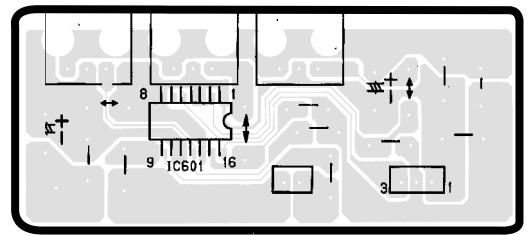


Digital PWB

Soldering Side

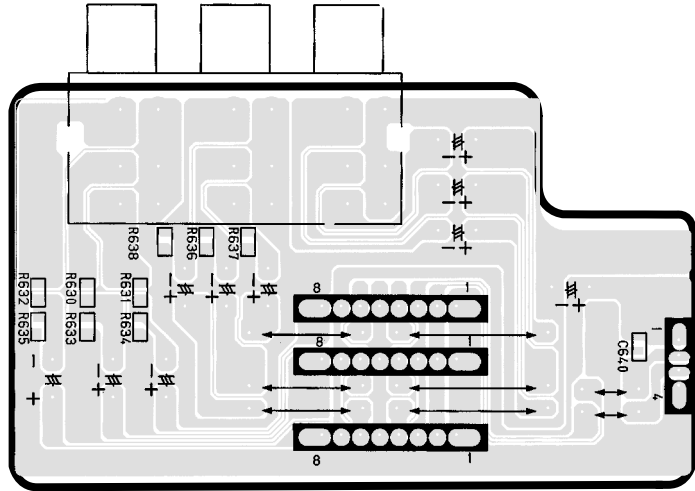


Power PWB

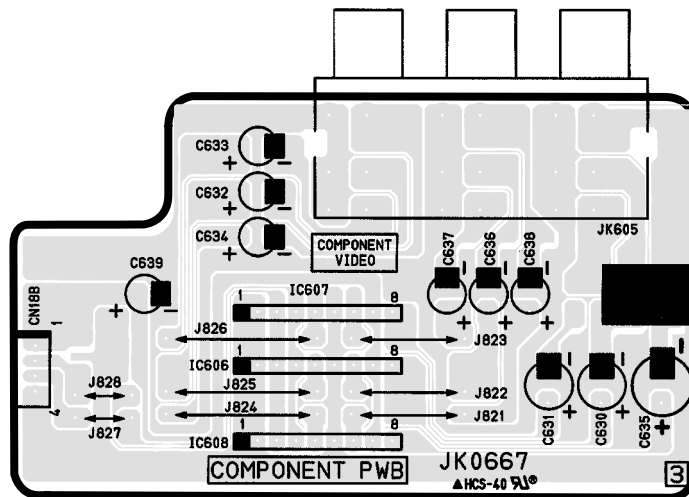


Digital PWB

Soldering Side

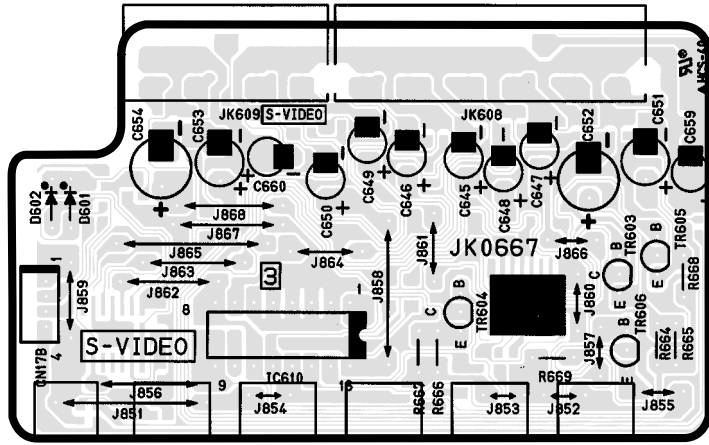


Component Side

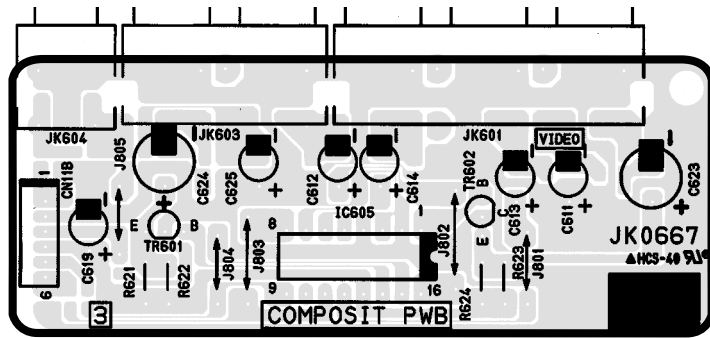


Component PWB

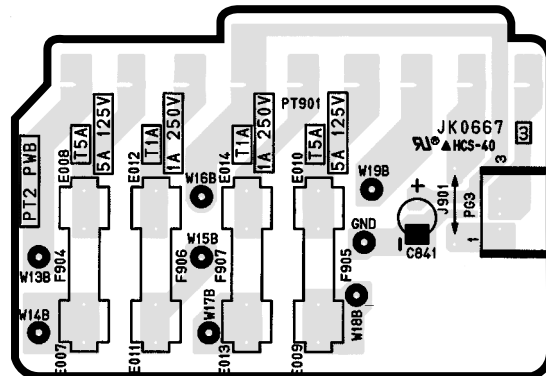
Component Side



S-Video PWB



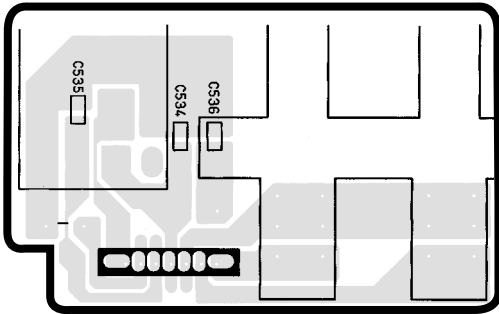
Composit PWB



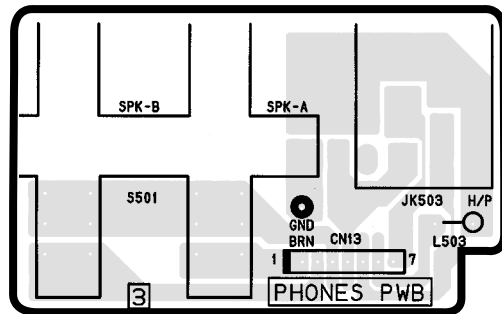
PT2 PWB

Soldering Side

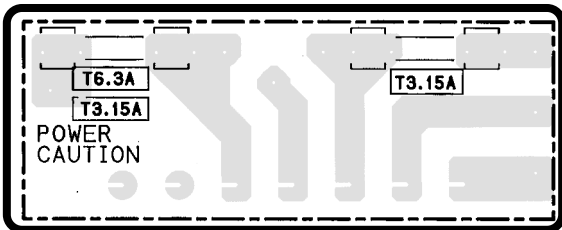
Component Side



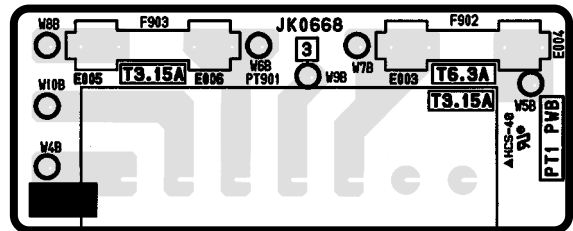
Phone PWB



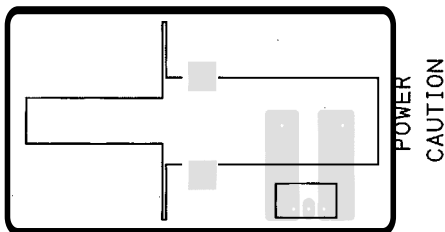
Phone PWB



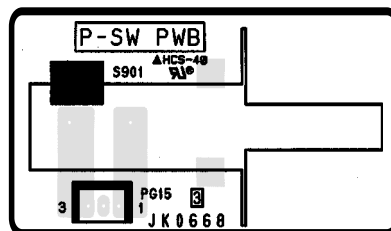
PT1 PWB



PT1 PWB

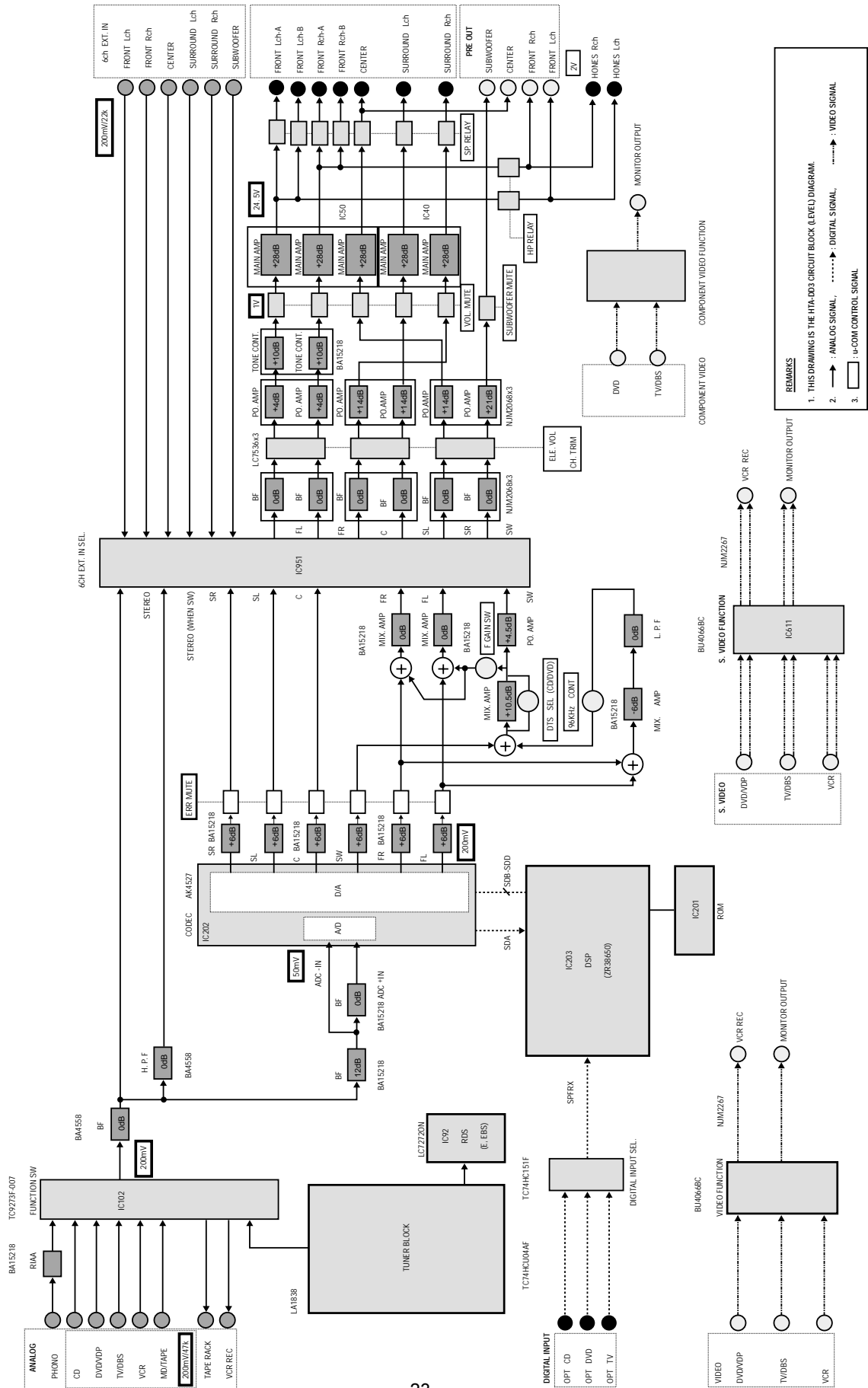


P-SW PWB

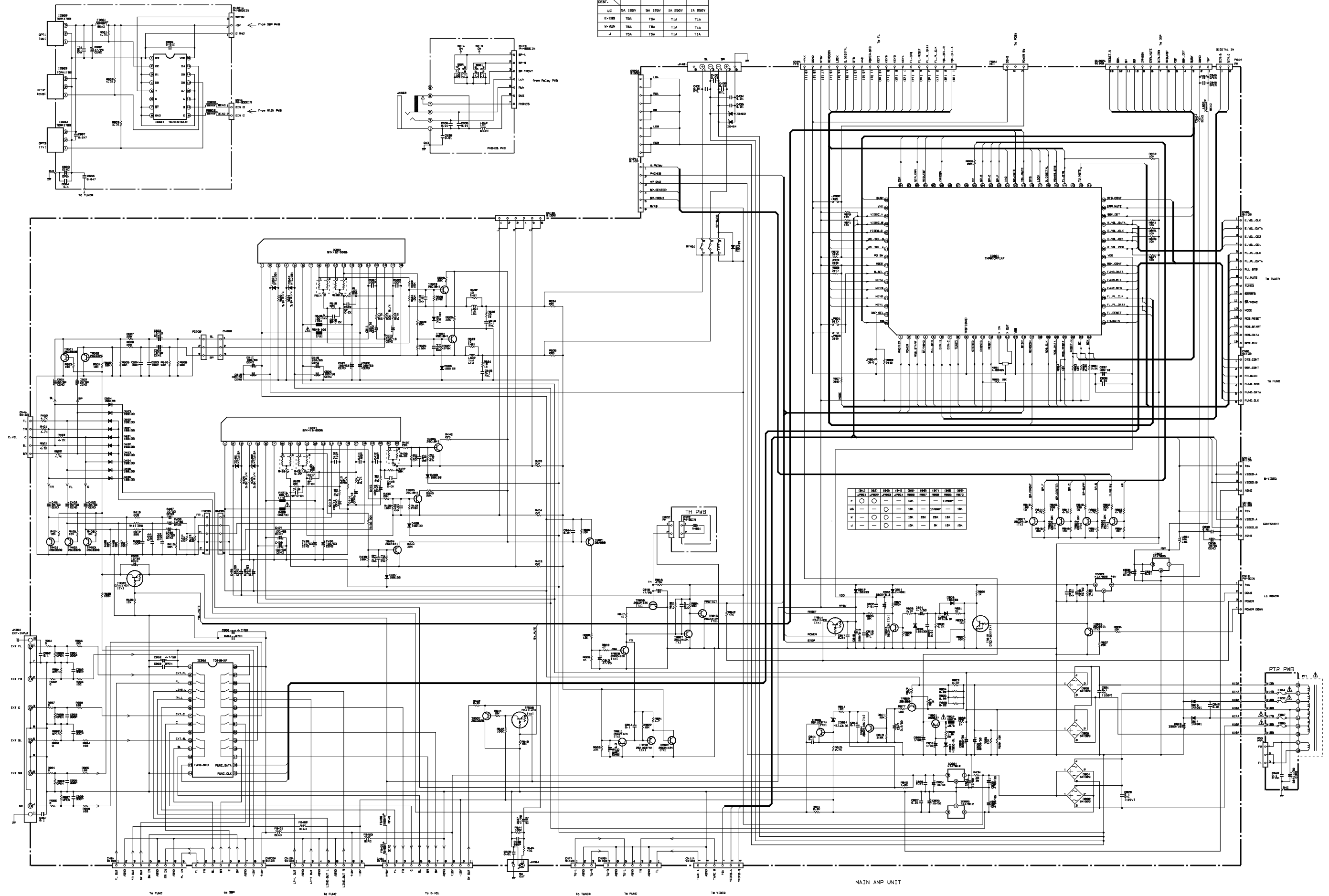


P-SW PWB

BLOCK DIAGRAM



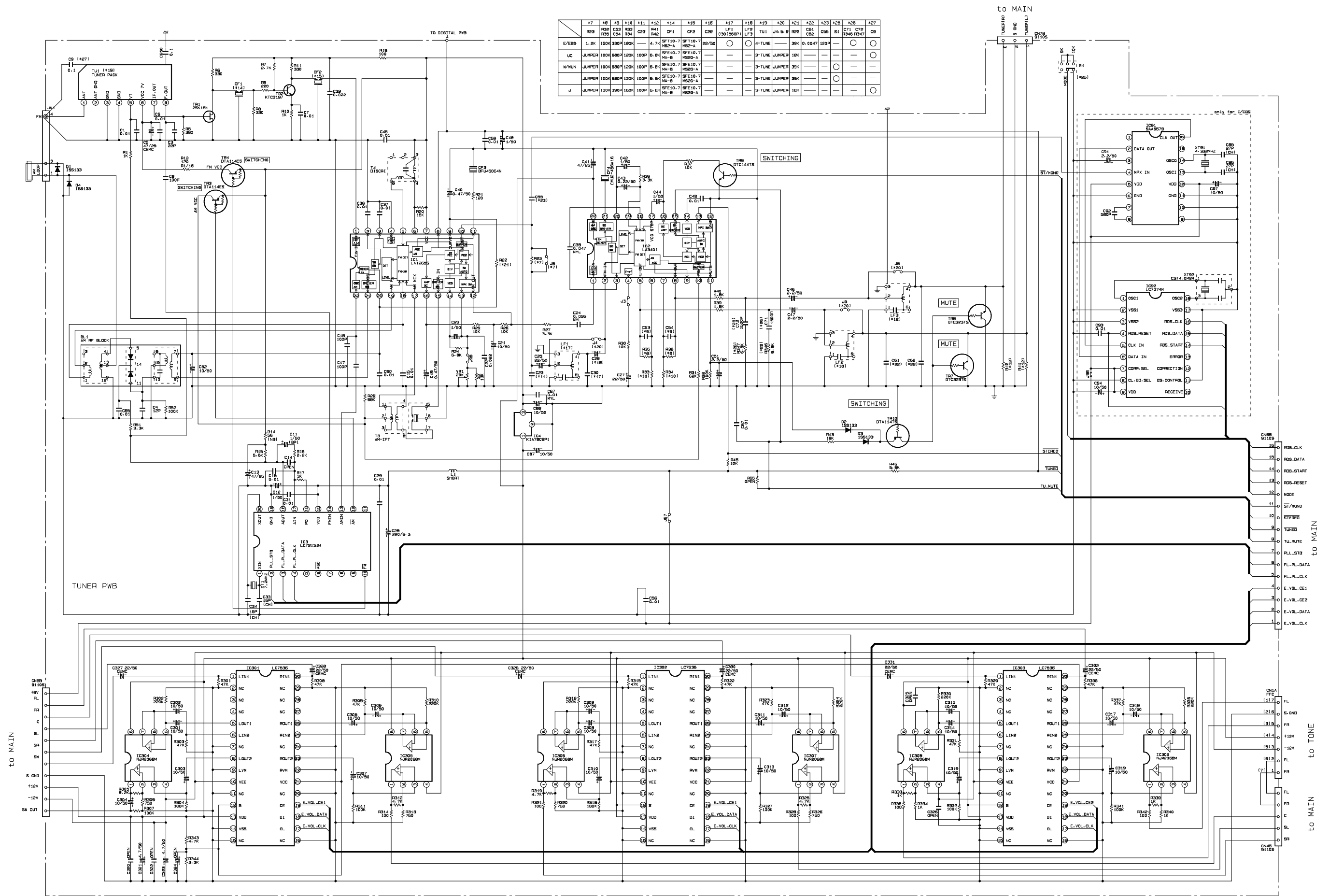
FLUSE	F904	F906	F908	F907
DEST.	SA 125V	SA 125V	SA 250V	SA 250V
E-ELEM	T5A	T5A	T1A	T1A
M-MAIN	T5A	T5A	T1A	T1A
J	T5A	T5A	T1A	T1A



SM0103

MAIN CIRCUIT

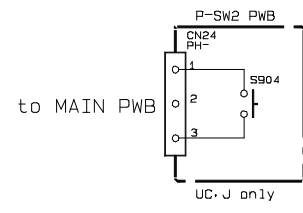
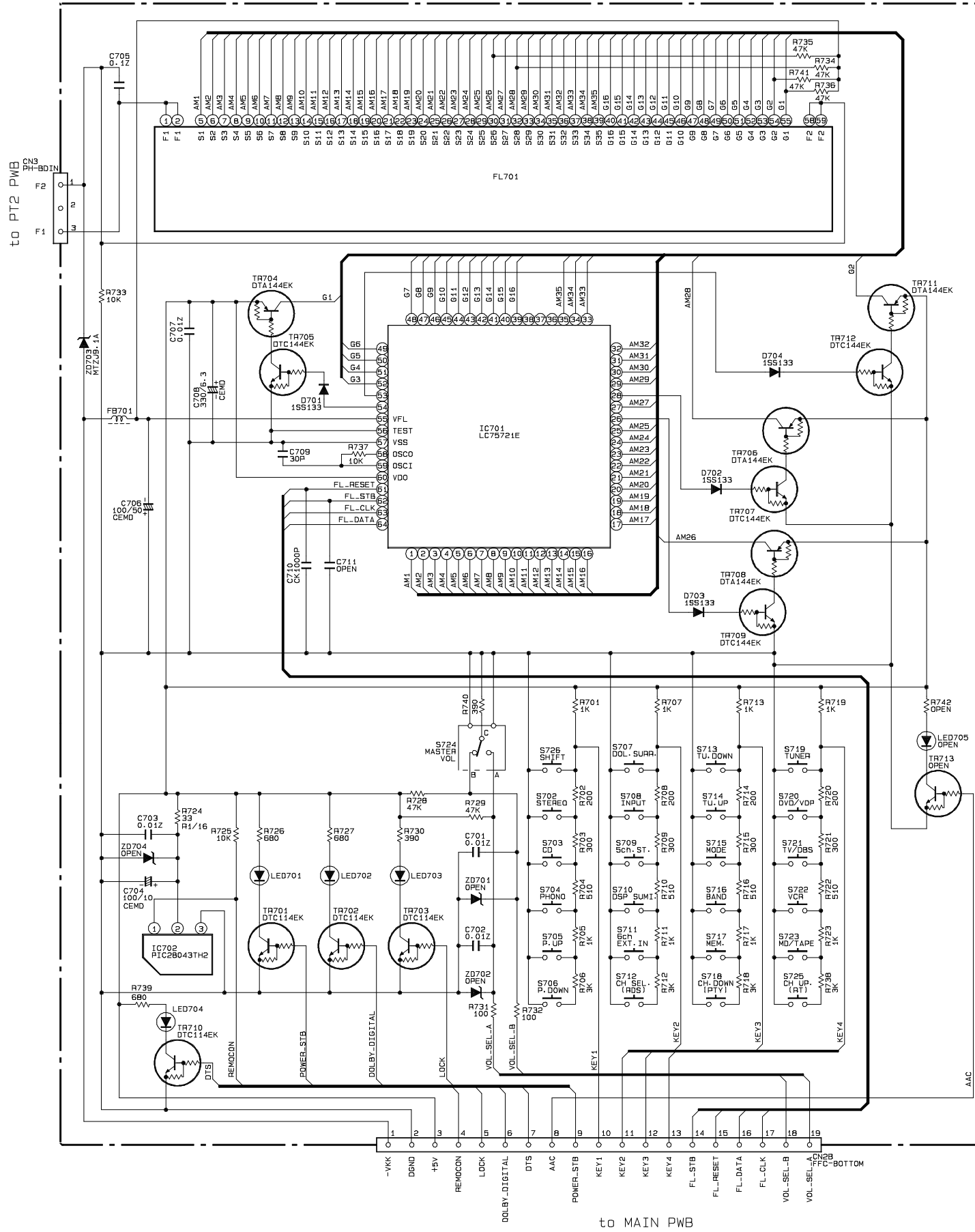
HITACHI



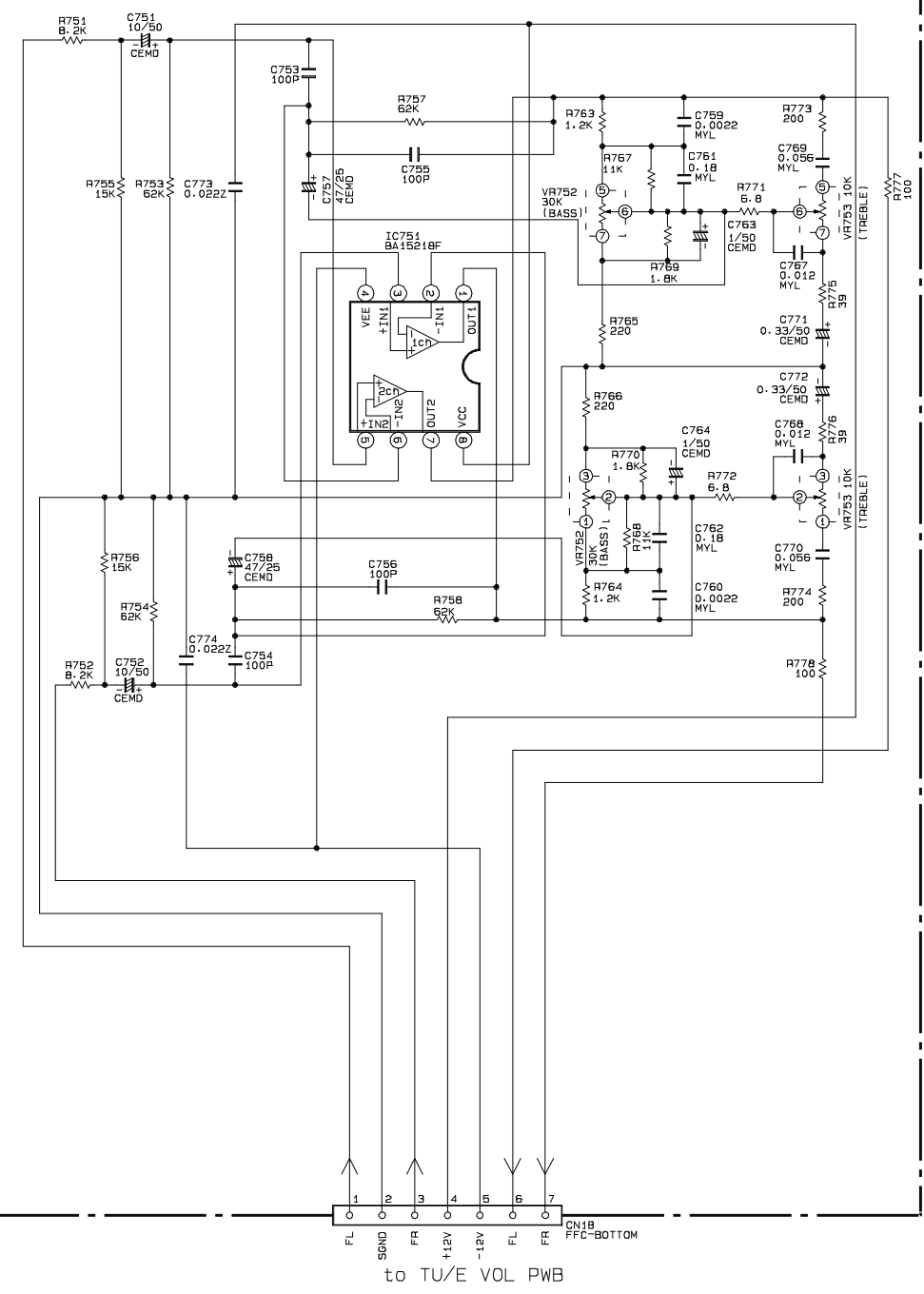
SM0103

TUNER CIRCUIT

HITACHI



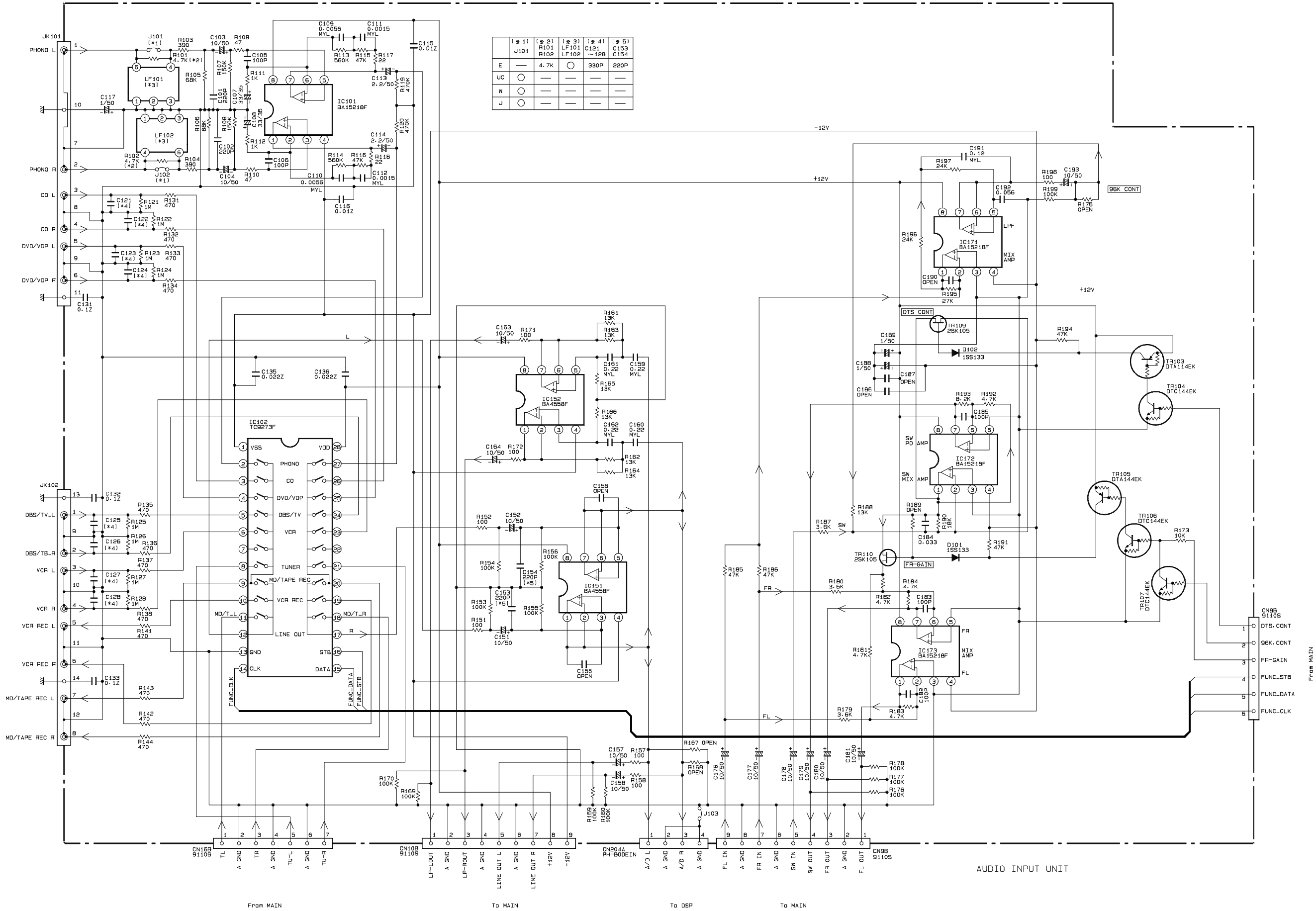
FL PWB



SM0103

FL CIRCUIT

HITACHI



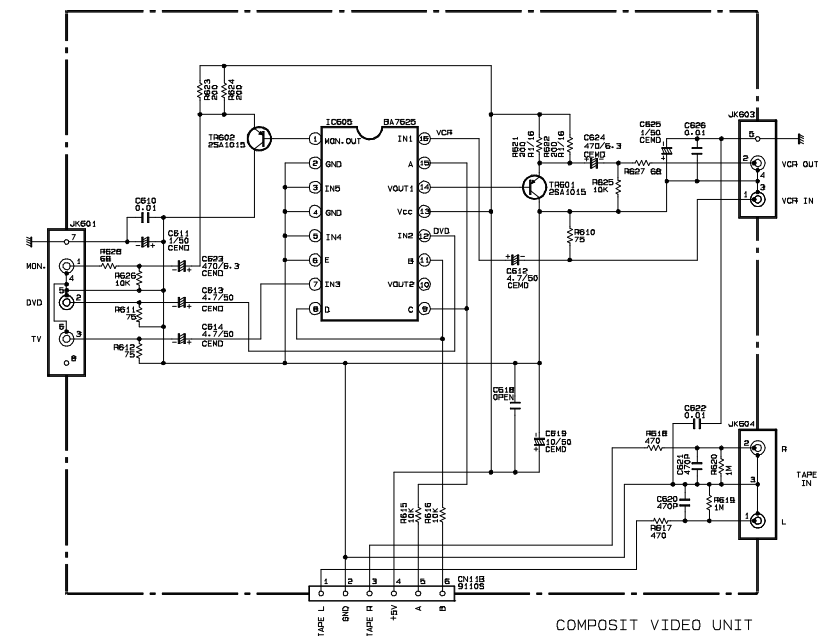
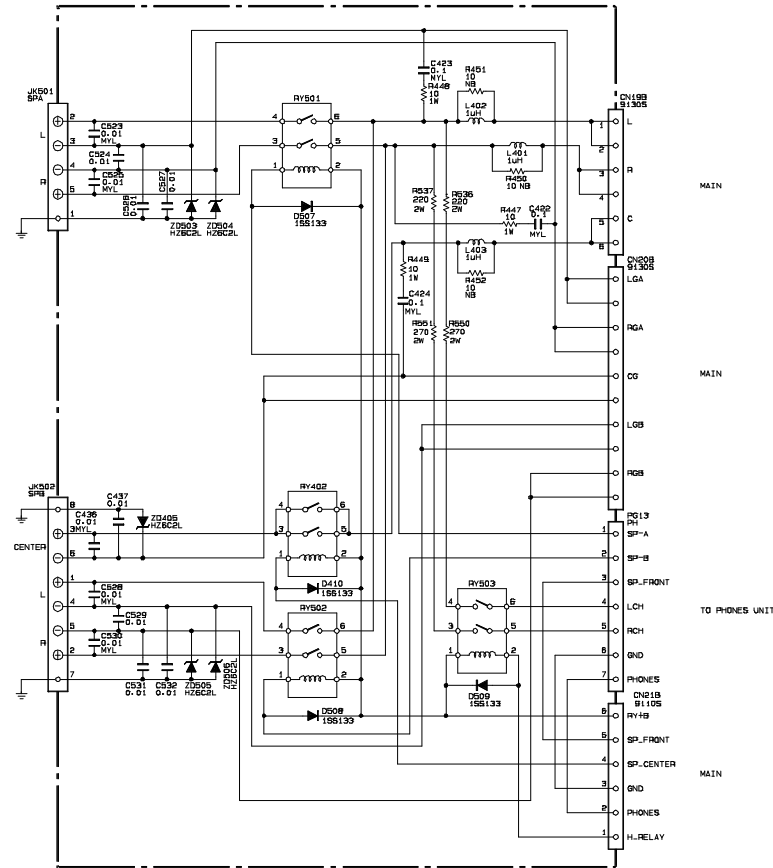
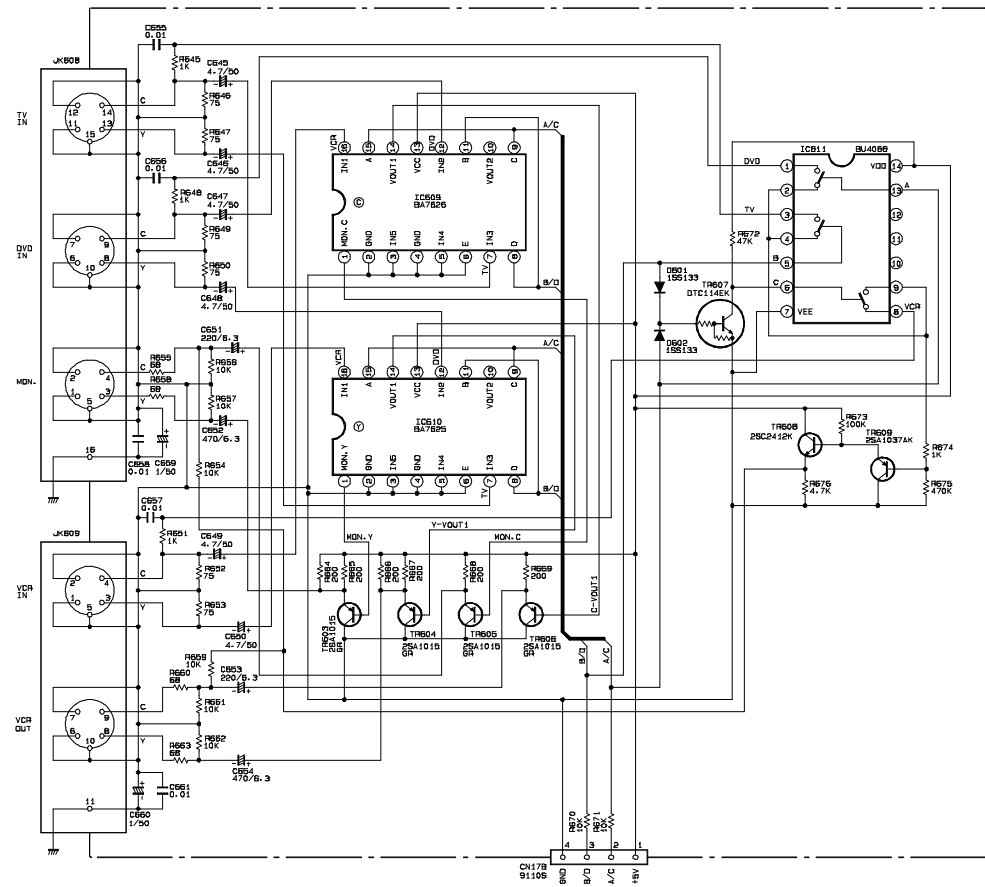
	[# 1]	[# 2]	[# 3]	[# 4]	[# 5]
E	J101	R101	LF101	C121	C153
UC		4.7K	LF102	330P	C154
W					
J					

AUDIO INPUT UNIT

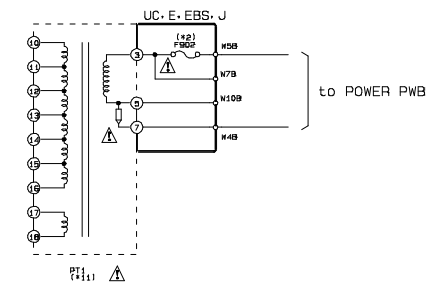
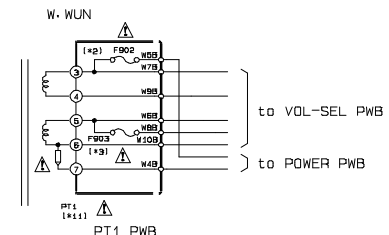
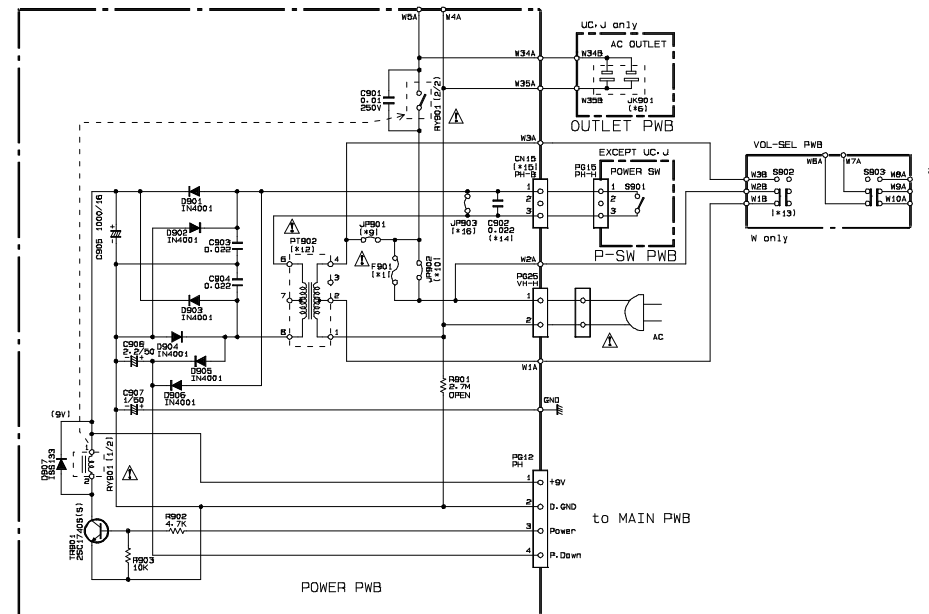
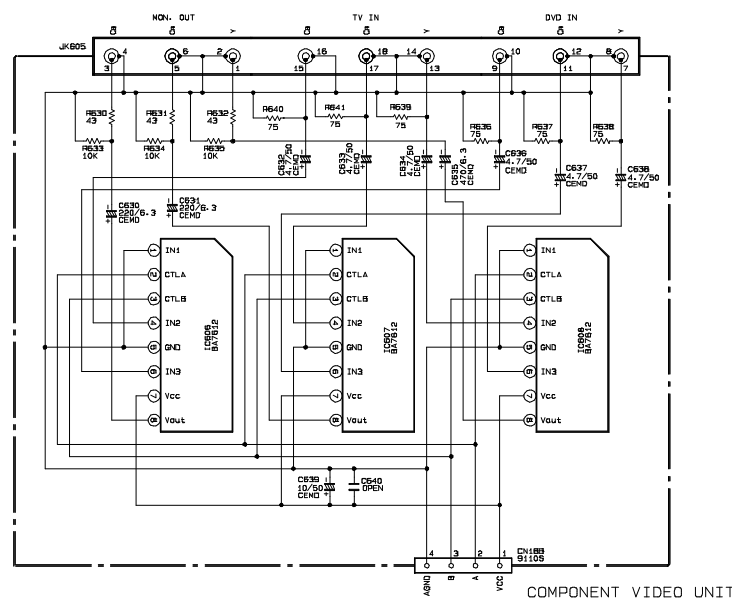
SM0103

AUDIO CIRCUIT

HITACHI

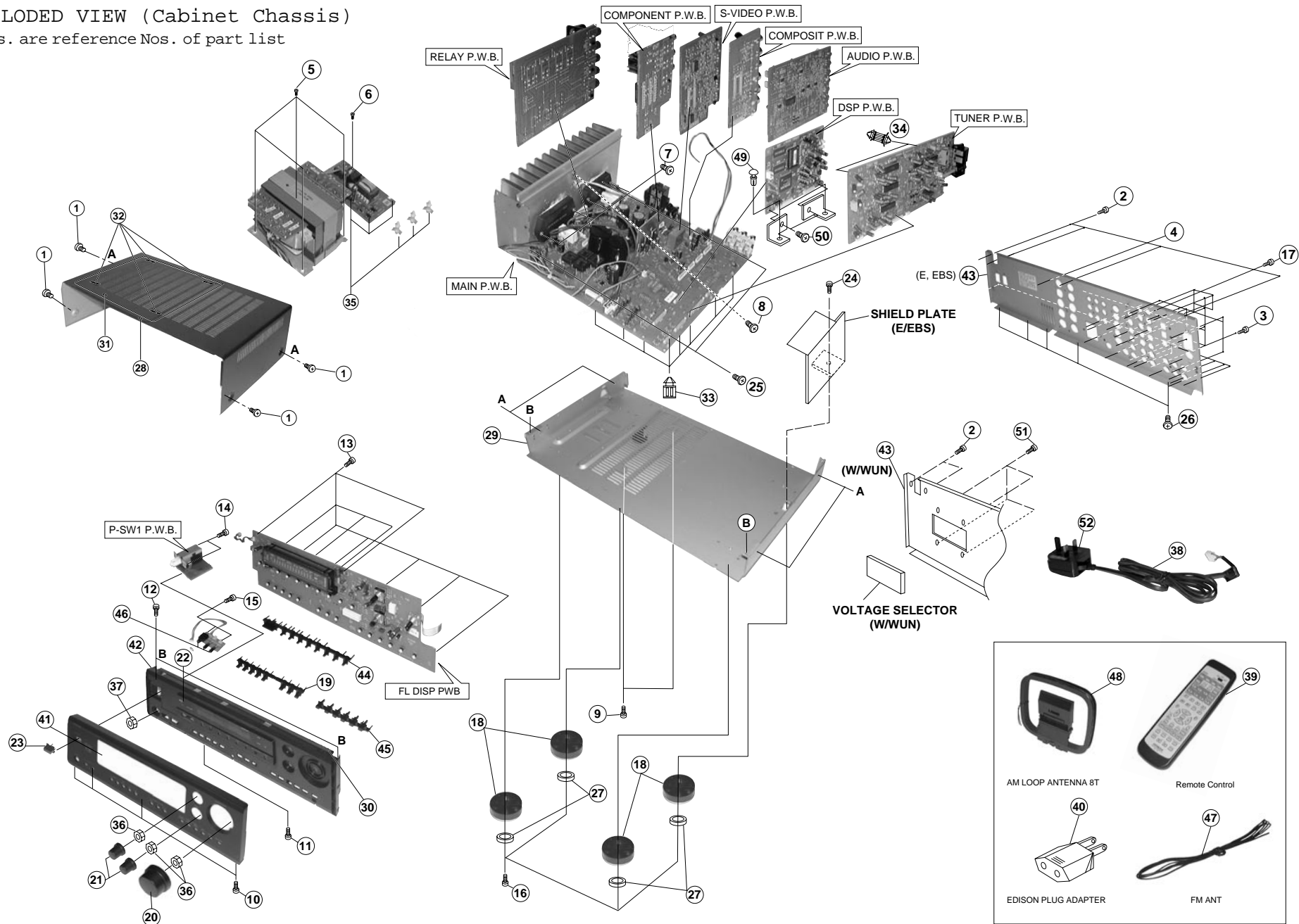


	(*1)	(*2)	(*3)	(*6)	(*8)	(*9)	(*10)	(*11)	(*12)	(*13)	(*14)	(*15)	(*16)
	F901	F902	F903	JK901	R901	JP901	JP902	PT1	PT902	S902, 903	C902	CN15	JP903
UC	T6. 3A	T6. 3A	—	○	—	○	—	BT01781	BT01412	—	—	—	○
E. EBS. EK	—	T3. 15A	—	—	—	○	—	BT01782	BT01413	—	—	○	—
W. NUN. MAU	—	T6. 3A	T3. 15A	—	—	○	—	BT01783	BT01414	○	○	○	—
J	T6. 3A	T6. 3A	—	○	—	○	—	BT01784	BT01415	—	—	—	○



EXPLODED VIEW (Cabinet Chassis)

• Nos. are reference Nos. of part list



REPLACEMENT PARTS LIST

PRODUCT SAFETY NOTE: Components marked with a Δ have special characteristics important to safety. Before replacing any of these components, please read carefully the Service Manual.

ABBREVIATIONS	Capacitors	CK45: Disk Capacitor, CK73: Chip Capacitor (E-12 series), CK14:Axial Capacitor, CE:Electrolytic, CQ:Polyester Film Capacitor, CC73:Chip Capacitor (E-24 series)
	Resistors	RD: Axial Resistor, RN: Non-burn Resistor, RMC73: Chip Resistor, RE: Standing Resistor, FR: Fuse Resistor
	Semiconductor	TR:Transistor, DI:Diode, ZD:Zener diode, VA:Varistor, TH:Thermistor, IC:IC.

SYMBOL NO.	PART NO.	DESCRIPTION	SYMBOL NO.	PART NO.	DESCRIPTION
CAPACITORS:			C53	0890081R	CER CAP B 330PF 50V K [E, EBS]
C1	0890101R	CER.CAP B 10000PF 16V K	C53	0890085R	CER CAP B 680PF 50V K [W, WUN, WAU]
C3	0890118R	CER CAP CH 22PF 50V J	C54	0890081R	CER CAP B 330PF 50V K [E, EBS]
C4	0890062R	CER CAP SL 12PF 50V J	C54	0890085R	CER CAP B 680PF 50V [W, WUN, WAU]
C5	0800042Y	ELECT CAP SSL 47 μ F 25V	C55	0890075R	CER CAP SL 120PF 50V J [E, EBS]
C6	0890101R	CER CAP B 10000PF 16V K	C56	0890101R	CER CAP B 10000PF 16V K
C7	0890101R	CER CAP B 10000PF 16V K	C57	0890101R	CER CAP B 10000PF 16V K
C8	0890074R	CER CAP SL 100PF 50V J	C59	0890101R	CER CAP B 10000PF 16V K
C9	H240068	AXIAL-CAP F 100000PF Z 50V	C60	0890101R	CER CAP B 10000PF 16V K
C11	0284623R	ELECT CAP SME(BP) 1 μ F 50V	C61	0890096R	CER CAP B 4700PF 25V K [E, EBS]
C12	0800003Y	ELECT CAP SSL 1 μ F 50V	C62	0890096R	CER CAP B 4700PF 25V K [E, EBS]
C13	0800042Y	ELECT CAP SSL 47 μ F 25V	C65	0890101R	CER CAP B 10000PF 16V K
C15	0890101R	CER CAP B 10000PF 16V K	C66	0800018Y	ELECT CAP SSL 10 μ F 50V
C16	0890074R	CER CAP SL 100PF 50V J	C67	0890101R	CER CAP B 10000PF 16V K
C17	0890074R	CER CAP SL 100PF 50V J	C71	0893211R	CHIP CAP X 1500PF
C18	0890101R	CER CAP B 10000PF 16V K	C72	0893211R	CHIP CAP X 1500PF
C19	0800001Y	ELECT CAP SSL 0.47 μ F 50V	C87	0800018Y	ELECT CAP SSL 10 μ F 50V
C20	0800003Y	ELECT CAP SSL 1 μ F 50V	C91	0800005Y	ELECT CAP SSL 2.2 μ F 50V [E, EBS]
C21	0800018Y	ELECT CAP SSL 10 μ F 50V	C92	0890084R	CER CAP B 560PF 50V K [E, EBS]
C22	0890102R	CER CAP F 22000PF 50V Z	C93	0890101R	CER CAP B 10000PF 16V K [E, EBS]
C23	0890074R	CER CAP SL 100PF 50V J [W, WUN,WAU]	C94	0800018Y	ELECT CAP SSL 10 μ F 50V [E, EBS]
C24	0880054R	CAP POLY FILM 0.056 μ F K 50V	C95	0890119R	CER CAP CH 27PF 50V J [E, EBS]
C25	0800026Y	ELECT CAP SSL 22 μ F 50V	C96	0890119R	CER CAP CH 27PF 50V J [E, EBS]
C26	0800026Y	ELECT CAP SSL 22 μ F 50V [E, EBS]	C97	0800018Y	ELECT CAP SSL 10 μ F 50V [E, EBS]
C27	0800026Y	ELECT CAP SSL 22 μ F 50V	C101	0893131R	CHIP CAP 39CH 220PF J 50V
C28	0800333R	ELECT CAP SMG 220 μ F 6.3V	C102	0893131R	CHIP CAP 39CH 220PF J 50V
C29	0890101R	CER CAP B 10000PF 16V K	C103	0800018Y	ELECT CAP SSL 10 μ F 50V
C30	0890084R	CER CAP B 560PF 50V K [E, EBS]	C104	0800018Y	ELECT CAP SSL 10 μ F 50V
C31	0890101R	CER CAP B 10000PF 16V K	C105	0893126R	CHIP CAP 39CH 100PF J 50V
C33	0890116R	CER CAP CH 15PF 50V J	C106	0893126R	CHIP CAP 39CH 100PF J 50V
C34	0890116R	CER CAP CH 15PF 50V J	C107	0800034Y	ELECT CAP SSL 33 μ F 35V
C36	0890101R	CER CAP B 10000PF 16V K	C108	0800034Y	ELECT CAP SSL 33 μ F 35V
C37	0890101R	CER CAP B 10000PF 16V K	C109	0880041R	MYLAR CAP 0.0056 μ F K 50V
C38	0880014R	MYLAR CAP 0.047 μ F K 50V AMZ T	C110	0880041R	MYLAR CAP 0.0056 μ F K 50V
C39	0890102R	CER CAP F 22000PF 50V Z	C111	0880004R	MYLAR CAP 0.0015 μ F K 50V AMZ T
C40	0800001Y	ELECT CAP SSL 0.47 μ F 50V	C112	0880004R	MYLAR CAP 0.0015 μ F K 50V AMZ T
C41	0800042Y	ELECT CAP SSL 47 μ F 25V	C113	0800005Y	ELECT CAP SSL 2.2 μ F 50V
C42	0800003Y	ELECT CAP SSL 1 μ F 50V	C114	0800005Y	ELECT CAP SSL 2.2 μ F 50V
C43	0800103R	ELECT CAP SRA 0.22 μ F 50V	C115	0893239R	CHIP CAP 39F 10000PF Z 50V
C44	0800003Y	ELECT CAP SSL 1 μ F 50V	C116	0893239R	CHIP CAP 39F 10000PF Z 50V
C45	0890101R	CER CAP B 10000PF 16V K	C117	0800003Y	ELECT CAP SSL 1 μ F 50V
C46	0800005Y	ELECT CAP SSL 2.2 μ F 50V	C121	0893133R	CHIP CAP 39CH 330PF J 50V [E, EBS]
C47	0800005Y	ELECT CAP SSL 2.2 μ F 50V	C122	0893133R	CHIP CAP 39CH 330PF J 50V [E, EBS]
C48	0800003Y	ELECT CAP SSL 1 μ F 50V	C123	0893133R	CHIP CAP 39CH 330PF J 50V [E, EBS]
C49	0890101R	CER CAP B 10000PF 16V K	C124	0893133R	CHIP CAP 39CH 330PF J 50V [E, EBS]
C51	0800005Y	ELECT CAP SSL 2.2 μ F 50V	C125	0893133R	CHIP CAP 39CH 330PF J 50V [E, EBS]
C52	0800018Y	ELECT CAP SSL 10 μ F 50V	C126	0893133R	CHIP CAP 39CH 330PF J 50V [E, EBS]

PRODUCT SAFETY NOTE: Components marked with a Δ have special characteristics important to safety. Before replacing any of these components, please read carefully the Service Manual.

SYMBOL NO.	PART NO.	DESCRIPTION	SYMBOL NO.	PART NO.	DESCRIPTION
C127	0893133R	CHIP CAP 39CH 330PF J 50V [E, EBS]	C232	0893232R	CHIP CAP 0.1 μ F-1608 25V
C128	0893133R	CHIP CAP 39CH 330PF J 50V [E, EBS]	C233	0800042Y	ELECT CAP SSL 47 μ F 25V
C131	0893232R	CHIP CAP C1608 0.1 μ F 25V	C234	0893232R	CHIP CAP 0.1 μ F-1608 25V
C132	0893232R	CHIP CAP C1608 0.1 μ F 25V	C235	0800042Y	ELECT CAP SSL 47 μ F 25V
C133	0893232R	CHIP CAP C1608 0.1 μ F 25V	C236	0893232R	CHIP CAP 0.1 μ F-1608 25V
C135	0893242R	CHIP CAP 39F 22000PF Z 50V	C237	0893232R	CHIP CAP 0.1 μ F-1608 25V
C136	0893242R	CHIP CAP 39F 22000PF Z 50V	C238	0800042Y	ELECT CAP SSL 47 μ F 25V
C151	0800018Y	ELECT CAP SSL 10 μ F 50V	C239	0893126R	CHIP CAP 39CH 100PF J 50V
C152	0800018Y	ELECT CAP SSL 10 μ F 50V	C240	0893126R	CHIP CAP 39CH 100PF J 50V
C153	0893131R	CHIP CAP 39CH 220PF J 50V [E, EBS]	C241	0893126R	CHIP CAP 39CH 100PF J 50V
C154	0893131R	CHIP CAP 39CH 220PF J 50V [E, EBS]	C242	0893126R	CHIP CAP 39CH 100PF J 50V
C157	0800018Y	ELECT CAP SSL 10 μ F 50V	C243	0893126R	CHIP CAP 39CH 100PF J 50V
C158	0800018Y	ELECT CAP SSL 10 μ F 50V	C244	0893126R	CHIP CAP 39CH 100PF J 50V
C159	0880198R	CAP POLY FILM 0.22 μ F J 50V	C245	0893232R	CHIP CAP 0.1 μ F-1608 25V
C160	0880198R	CAP POLY FILM 0.22 μ F J 50V	C246	0893232R	CHIP CAP 0.1 μ F-1608 25V
C161	0880198R	CAP POLY FILM 0.22 μ F J 50V	C247	0893232R	CHIP CAP 0.1 μ F-1608 25V
C162	0880198R	CAP POLY FILM 0.22 μ F J 50V	C248	0893232R	CHIP CAP 0.1 μ F-1608 25V
C163	0800018Y	ELECT CAP SSL 10 μ F 50V	C249	0893232R	CHIP CAP 0.1 μ F-1608 25V
C164	0800018Y	ELECT CAP SSL 10 μ F 50V	C250	0893232R	CHIP CAP 0.1 μ F-1608 25V
C176	0800018Y	ELECT CAP SSL 10 μ F 50V	C255	0893211R	CHIP CAP 1500PF-1608
C177	0800018Y	ELECT CAP SSL 10 μ F 50V	C256	0893211R	CHIP CAP 1500PF-1608
C178	0800018Y	ELECT CAP SSL 10 μ F 50V	C259	0800042Y	ELECT CAP SSL 47 μ F 25V
C179	0800018Y	ELECT CAP SSL 10 μ F 50V	C260	0893232R	CHIP CAP 0.1 μ Z-1608 25V
C180	0800018Y	ELECT CAP SSL 10 μ F 50V	C261	0800042Y	ELECT CAP SSL 47 μ F 25V
C181	0800018Y	ELECT CAP SSL 10 μ F 50V	C262	0893232R	CHIP CAP 0.1 μ F-1608 25V
C182	0893126R	CHIP CAP 39CH 100PF J 50V	C263	0800018Y	ELECT CAP SSL 10 μ F 50V
C183	0893126R	CHIP CAP 39CH 100PF J 50V	C264	0800018Y	ELECT CAP SSL 10 μ F 50V
C184	0893186R	CHIP CAP 39CH 0.033 μ F J 50V	C265	0893232R	CHIP CAP 0.1 μ F-1608 25V
C185	0893126R	CHIP CAP 39CH 100PF J 50V	C266	0893232R	CHIP CAP 0.1 μ F-1608 25V
C188	0800003Y	ELECT CAP SSL 1 μ F 50V	C267	0893232R	CHIP CAP 0.1 μ F-1608 25V
C189	0800003Y	ELECT CAP SSL 1 μ F 50V	C268	0800018Y	ELECT CAP SSL 10 μ F 50V
C191	0276718R	CAP MYLAR 0.12 μ F J 50V	C271	0800018Y	ELECT CAP SSL 10 μ F 50V
C192	0893176R	CHIP CAP GRM39B 56000PF K 16V	C272	0800018Y	ELECT CAP SSL 10 μ F 50V
C193	0800018Y	ELECT CAP SSL 10 μ F 50V	C273	0800018Y	ELECT CAP SSL 10 μ F 50V
C194	0880013Y	MYLAR CAP 0.047 μ F K 50V AMZ	C274	0800018Y	ELECT CAP SSL 10 μ F 50V
C201	0893232R	CHIP CAP 0.1 μ F-1608	C275	0800018Y	ELECT CAP SSL 10 μ F 50V
C205	0800042Y	ELECT CAP SSL 47 μ F 25V	C276	0800018Y	ELECT CAP SSL 10 μ F 50V
C206	0893232R	CHIP CAP 0.1 μ F-1608 25V	C289	0800018Y	ELECT CAP SSL 10 μ F 50V
C209	0893232R	CHIP CAP 0.1 μ F-1608 25V	C290	0800018Y	ELECT CAP SSL 10 μ F 50V
C210	0893232R	CHIP CAP 0.1 μ F-1608 25V	C291	0800018Y	ELECT CAP SSL 10 μ F 50V
C213	0893232R	CHIP CAP 0.1 μ F-1608 25V	C292	0800018Y	ELECT CAP SSL 10 μ F 50V
C214	0893232R	CHIP CAP 0.1 μ F-1608 25V	C293	0800018Y	ELECT CAP SSL 10 μ F 50V
C217	0893232R	CHIP CAP 0.1 μ F-1608 25V	C294	0800018Y	ELECT CAP SSL 10 μ F 50V
C218	0893232R	CHIP CAP 0.1 μ F-1608 25V	C300	0893123R	CHIP CAP 56PF-1608
C219	0893232R	CHIP CAP 0.1 μ F-1608 25V	C301	0800018Y	ELECT CAP SSL 10 μ F 50V
C220	0893232R	CHIP CAP 0.1 μ F-1608 25V	C302	0800018Y	ELECT CAP SSL 10 μ F 50V
C223	0893232R	CHIP CAP 0.1 μ F-1608 25V	C303	0800018Y	ELECT CAP SSL 10 μ F 50V
C224	0800042Y	ELECT CAP SSL 47 μ F 25V	C304	0800018Y	ELECT CAP SSL 10 μ F 50V
C225	0893188R	CHIP CAP 1608 0.047 μ F K 16V	C305	0800018Y	ELECT CAP SSL 10 μ F 50V
C226	0228736R	CHIP CAP 18PSL-2125	C306	0800018Y	ELECT CAP SSL 10 μ F 50V
C227	0228736R	CHIP CAP 18PSL-2125	C307	0800018Y	ELECT CAP SSL 10 μ F 50V
C228	0893232R	CHIP CAP 0.1 μ F-1608 25V	C308	0800018Y	ELECT CAP SSL 10 μ F 50V
C231	0800018Y	ELECT CAP SSL 10 μ F 50V	C309	0800018Y	ELECT CAP SSL 10 μ F 50V

PRODUCT SAFETY NOTE: Components marked with a Δ have special characteristics important to safety. Before replacing any of these components, please read carefully the Service Manual.

SYMBOL NO.	PART NO.	DESCRIPTION	SYMBOL NO.	PART NO.	DESCRIPTION
C310	0800018Y	ELECT CAP SSL 10 μ F 50V	C436	0880009R	MYLAR-CAP 0.01 μ F K 50V AMZ T
C311	0800018Y	ELECT CAP SSL 10 μ F 50V	C437	0893239R	CHIP CAP 39F 10000PF Z 50V
C312	0800018Y	ELECT CAP SSL 10 μ F 50V	C501	0800026Y	ELECT CAP SSL 22 μ F 50V
C313	0800018Y	ELECT CAP SSL 10 μ F 50V	C502	0800026Y	ELECT CAP SSL 22 μ F 50V
C314	0800018Y	ELECT CAP SSL 10 μ F 50V	C503	0893126R	CHIP CAP 39CH 100PF J 50V
C315	0800018Y	ELECT CAP SSL 10 μ F 50V	C504	0893126R	CHIP CAP 39CH 100PF J 50V
C316	0800018Y	ELECT CAP SSL 10 μ F 50V	C505	0800018Y	ELECT CAP SSL 10 μ F 50V
C317	0800018Y	ELECT CAP SSL 10 μ F 50V	C506	0800018Y	ELECT CAP SSL 10 μ F 50V
C318	0800018Y	ELECT CAP SSL 10 μ F 50V	C507	0893129R	CHIP CAP 39CH 180PF K 50V
C319	0800018Y	ELECT CAP SSL 10 μ F 50V	C508	0893129R	CHIP CAP 39CH 180PF K 50V
C321	0800012Y	ELECT CAP SSL 4.7 μ F 50V	C509	0890059R	CER CAP SL 9PF 50V D
C323	0800012Y	ELECT CAP SSL 4.7 μ F 50V	C510	0890059R	CER CAP SL 9PF 50V D
C327	0800026Y	ELECT CAP SSL 22 μ F 50V	C511	0800325R	ELECT CAP SMG 100 μ F 10V
C328	0800026Y	ELECT CAP SSL 22 μ F 50V	C512	0800325R	ELECT CAP SMG 100 μ F 10V
C329	0800026Y	ELECT CAP SSL 22 μ F 50V	C513	0893239R	CHIP CAP 39F 10000PF Z 50V
C330	0800026Y	ELECT CAP SSL 22 μ F 50V	C514	0893239R	CHIP CAP 39F 10000PF Z 50V
C331	0800026Y	ELECT CAP SSL 22 μ F 50V	C515	0880016R	CAP POLY FILM 0.1 μ F K 50V AMZ
C332	0800026Y	ELECT CAP SSL 22 μ F 50V	C516	0880016R	CAP POLY FILM 0.1 μ F K 50V AMZ
C401	0800026Y	ELECT CAP SSL 22 μ F 50V	C517	0800054N	ELECT CAP SME 100 μ F 63V
C402	0800026Y	ELECT CAP SSL 22 μ F 50V	C518	0800053Y	ELECT CAP SSL 100 μ F 50V
C403	0800026Y	ELECT CAP SSL 22 μ F 50V	C519	0800054N	ELECT CAP SME 100 μ F 63V
C404	0893126R	CHIP CAP 39CH 100PF J 50V	C520	0800053Y	ELECT CAP SSL 100 μ F 50V
C405	0893126R	CHIP CAP 39CH 100PF J 50V	C521	0800054N	ELECT CAP SME 100 μ F 63V
C406	0893126R	CHIP CAP 39CH 100PF J 50V	C522	0800054N	ELECT CAP SME 100 μ F 63V
C407	0800018Y	ELECT CAP SSL 10 μ F 50V	C523	0880009R	MYLAR-CAP 0.01 μ F K 50V AMZ T
C408	0800018Y	ELECT CAP SSL 10 μ F 50V	C524	0893239R	CHIP CAP 39F 10000PF Z 50V
C409	0800018Y	ELECT CAP SSL 10 μ F 50V	C525	0880009R	MYLAR-CAP 0.01 μ F K 50V AMZ T
C410	0893129R	CHIP CAP 39CH 180PF J 50V	C526	0893239R	CHIP CAP 39F 10000PF Z 50V
C411	0893129R	CHIP CAP 39CH 180PF J 50V	C527	0893239R	CHIP CAP 39F 10000PF Z 50V
C412	0893129R	CHIP CAP 39CH 180PF J 50V	C528	0880009R	MYLAR-CAP 0.01 μ F K 50V AMZ T
C413	0800325R	ELECT CAP SMG 100 μ F 10V	C529	0893239R	CHIP CAP 39F 10000PF Z 50V
C414	0800325R	ELECT CAP SMG 100 μ F 10V	C530	0880009R	MYLAR-CAP 0.01 μ F K 50V AMZ T
C415	0800325R	ELECT CAP SMG 100 μ F 10V	C531	0893239R	CHIP CAP 39F 10000PF Z 50V
C416	0890059R	CER CAP SL 9PF 50V D	C532	0893239R	CHIP CAP 39F 10000PF Z 50V
C417	0890059R	CER CAP SL 9PF 50V D	C533	0800018Y	ELECT CAP SSL 10 μ F 50V
C418	0890059R	CER CAP SL 9PF 50V D	C534	0893239R	CHIP CAP 39F 10000PF Z 50V
C419	0893239R	CHIP CAP 39F 10000PF Z 50V	C535	0893239R	CHIP CAP 39F 10000PF Z 50V
C420	0893239R	CHIP CAP 39F 10000PF Z 50V	C536	0893239R	CHIP CAP 39F 10000PF Z 50V
C421	0893239R	CHIP CAP 39F 10000PF Z 50V	C537	0800042Y	ELECT CAP SSL 47 μ F 25V
C422	0880016R	CAP POLY FILM 0.1 μ F K 50V AMZ	C538	0893206R	CHIP CAP 680PF J 50V
C423	0880016R	CAP POLY FILM 0.1 μ F K 50V AMZ	C539	0893239R	CHIP CAP 39F 10000PF Z 50V
C424	0880016R	CAP POLY FILM 0.1 μ F K 50V AMZ	C601	0890103R	CER CAP F 47000PF 12V Z
C425	0800053Y	ELECT CAP SSL 100 μ F 50V	C602	0800042Y	ELECT CAP SSL 47 μ F 25V
C426	0800054N	ELECT CAP SME 100 μ F 63V	C604	H240068	AXIAL CAP 0.1 μ F Z 50V
C427	0800054N	ELECT CAP SME 100 μ F 63V	C605	0890043M	AXIAL CAP Y 10000PF M 16V
C428	0800053Y	ELECT CAP SSL 100 μ F 50V	C610	0893239R	CHIP CAP 39F 10000PF Z 50V
C429	0800054N	ELECT CAP SME 100 μ F 63V	C611	0800003Y	ELECT CAP SSL 1 μ F 50V
C430	0800054N	ELECT CAP SME 100 μ F 63V	C612	0800012Y	ELECT CAP SSL 4.7 μ F 50V
C431	0880009R	MYLAR-CAP 0.01 μ F K 50V AMZ T	C613	0800012Y	ELECT CAP SSL 4.7 μ F 50V
C432	0893239R	CHIP CAP 39F 10000PF Z 50V	C614	0800012Y	ELECT CAP SSL 4.7 μ F 50V
C433	0880009R	MYLAR-CAP 0.01 μ F K 50V AMZ T	C619	0800018Y	ELECT CAP SSL 10 μ F 50V
C434	0893239R	CHIP CAP 39F 10000PF Z 50V	C620	0893135R	CHIP CAP 39CH 470PF J 50V
C435	0893239R	CHIP CAP 39F 10000PF Z 50V	C621	0893135R	CHIP CAP 39CH 470PF J 50V

PRODUCT SAFETY NOTE: Components marked with a Δ have special characteristics important to safety. Before replacing any of these components, please read carefully the Service Manual.

SYMBOL NO.	PART NO.	DESCRIPTION	SYMBOL NO.	PART NO.	DESCRIPTION
C622	0893239R	CHIP CAP 39F 10000PF Z 50V	C762	0276720R	CAP MYLAR 0.18 μ F J 50V
C623	0800351R	ELECT CAP SMG 470 μ F M 6.3V	C763	0800003Y	ELECT CAP SSL 1 μ F 50V
C624	0800351R	ELECT CAP SMG 470 μ F M 6.3V	C764	0800003Y	ELECTY CAP SSL 1 μ F 50V
C625	0800003Y	ELECT CAP SSL 1 μ F 50V	C767	H275031K	MYLAR-CAP 0.012 μ F K 50V T
C626	0893239R	CHIP CAP 39F 10000PF Z 50V	C768	H275031K	MYLAR-CAP 0.012 μ F K 50V T
C630	0800333R	ELECT CAP SMG 220 μ F 6.3V	C769	0880054R	CAP POLY FILM 0.056 μ F K 50V
C631	0800333R	ELECT CAP SMG 220 μ F 6.3V	C770	0880054R	CAP POLY FILM 0.056 μ F K 50V
C632	0800012Y	ELECT CAP SSL 4.7 μ F 50V	C771	0800105R	ELECT-CAP SRA 0.33 μ F 50V
C633	0800012Y	ELECT CAP SSL 4.7 μ F 50V	C772	0800105R	ELECT-CAP SRA 0.33 μ F 50V
C634	0800012Y	ELECT CAP SSL 4.7 μ F 50V	C773	0893242R	CHIP CAP 39F 22000PF Z 50V
C635	0800351R	ELECT CAP SMG 470 μ F M 6.3V	C774	0893242R	CHIP CAP 39F 22000PF Z 50V
C636	0800012Y	ELECT CAP SSL 4.7 μ F 50V	C804	0800005Y	ELECT CAP SSL 2.2 μ F 50V
C637	0800012Y	ELECT CAP SSL 4.7 μ F 50V	C805	AL00472	ELECT CAP LP4 8200 μ F 63V
C638	0800012Y	ELECT CAP SSL 4.7 μ F 50V	C806	AL00472	ELECT CAP LP4 8200 μ F 63V
C639	0800018Y	ELECT CAP SSL 10 μ F 50V	C807	0800003Y	ELECT CAP SSL 1 μ F 50V
C645	0800012Y	ELECT CAP SSL 4.7 μ F 50V	C809	0800003Y	ELECT CAP SSL 1 μ F 50V
C646	0800012Y	ELECT CAP SSL 4.7 μ F 50V	C810	0893232R	CHIP CAP C1608 0.1 μ F 25V
C647	0800012Y	ELECT CAP SSL 4.7 μ F 50V	C811	0893232R	CHIP CAP C1608 0.1 μ F 25V
C648	0800012Y	ELECT CAP SSL 4.7 μ F 50V	C812	0893232R	CHIP CAP C1608 0.1 μ F 25V
C649	0800012Y	ELECT CAP SSL 4.7 μ F 50V	C813	0800042Y	ELECT CAP SSL 47 μ F 25V
C650	0800012Y	ELECT CAP SSL 4.7 μ F 50V	C814	0893232R	CHIP CAP C1608 0.1 μ F 25V
C651	0800333R	ELECT CAP SMG 220 μ F 6.3V	C815	0800342R	ELECT CAP SMG 330 μ F 6.3V
C652	0800351R	ELECT CAP SMG 470 μ F M 6.3V	C816	0800042Y	ELECT CAP SSL 47 μ F 25V
C653	0800333R	ELECT CAP SMG 220 μ F 6.3V	C817	0893239R	CHIP CAP 39F 10000PF Z 50V
C654	0800351R	ELECT CAP SMG 470 μ F M 6.3V	C818	0800333R	ELECT CAP SMG 220 μ F 6.3V
C655	0893239R	CHIP CAP 39F 10000PF Z 50V	C819	0276718R	CAP MYLAR 0.12 μ F J 50V
C656	0893239R	CHIP CAP 39F 10000PF Z 50V	C820	0800369F	ELECT CAP SMG 3300 μ F 6.3V
C657	0893239R	CHIP CAP 39F 10000PF Z 50V	C821	0800012Y	ELECT CAP SSL 4.7 μ F 50V
C658	0893239R	CHIP CAP 39F 10000PF Z 50V	C822	0893239R	CHIP CAP 39F 10000PF Z 50V
C659	0800003Y	ELECT CAP SSL 1 μ F 50V	C823	0893239R	CHIP CAP 39F 10000PF Z 50V
C660	0800003Y	ELECT CAP SSL 1 μ F 50V	C824	0800018Y	ELECT CAP SSL 10 μ F 50V
C661	0893239R	CHIP CAP 39F 10000PF Z 50V	C825	0800018Y	ELECT CAP SSL 10 μ F 50V
C701	0893239R	CHIP CAP 39F 10000PF Z 50V	C826	0893239R	CHIP CAP 39F 10000PF Z 50V
C702	0893239R	CHIP CAP 39F 10000PF Z 50V	C827	0893239R	CHIP CAP 39F 10000PF Z 50V
C703	0893239R	CHIP CAP 39F 10000PF Z 50V	C828	AN00591R	CAP POLY FILM 0.1 μ F 200V
C704	0800325R	ELECT CAP SMG 100 μ F 10V	C829	AL00478Q	ELECT CAP RE3 4700 μ F 35V
C705	0893232R	CHIP CAP C1608 0.1 μ F 25V	C830	AL00478Q	ELECT CAP RE3 4700 μ F 35V
C706	0800053Y	ELECT CAP SSL 100 μ F 50V	C831	AN00591R	CAP POLY FILM 0.1 μ F 200V
C707	0893239R	CHIP CAP 39F 10000PF Z 50V	C832	0800018Y	ELECT CAP SSL 10 μ F 50V
C708	0800342R	ELECT CAP SMG 330 μ F 6.3V	C833	0893239R	CHIP CAP 39F 10000PF Z 50V
C709	0225041R	CHIP CAP CH 30PF J 50V	C834	0893239R	CHIP CAP 39F 10000PF Z 50V
C710	0893208R	CHIP CAP 39B 1000PF K 50V	C835	0800018Y	ELECT CAP SSL 10 μ F 50V
C751	0800018Y	ELECT CAP SSL 10 μ F 50V	C836	0893239R	CHIP CAP 39F 10000PF Z 50V
C752	0800018Y	ELECT CAP SSL 10 μ F 50V	C837	0800325R	ELECT CAP SMG 100 μ F 10V
C753	0893126R	CHIP CAP 39CH 100PF J 50V	C838	0800018Y	ELECT CAP SSL 10 μ F 50V
C754	0893126R	CHIP CAP 39CH 100PF J 50V	C839	0893239R	CHIP CAP 39F 10000PF Z 50V
C755	0893126R	CHIP CAP 39CH 100PF J 50V	C840	0893232R	CHIP CAP C1608 0.1 μ F 25V
C756	0893126R	CHIP CAP 39CH 100PF J 50V	C841	0800003Y	ELECT CAP SSL 1 μ F 50V
C757	0800042Y	ELECT CAP SSL 47 μ F 25V	C842	0893239R	CHIP CAP 39F 10000PF Z 50V
C758	0800042Y	ELECT CAP SSL 47 μ F 25V	C843	AL00479Q	ELECT CAP RE2 3300 μ F 16V
C759	0880005R	MYLAR-CAP 0.0022 μ F K 50V AMZ T	C844	0893239R	CHIP CAP 39F 10000PF Z 50V
C760	0880005R	MYLAR-CAP 0.0022 μ F K 50V AMZ T	C847	0800018Y	ELECT CAP SSL 10 μ F 50V
C761	0276720R	CAP MYLAR 0.18 μ F J 50V	C901	AN00131S	CER CAP CQ 0.01 μ F 250V PA103-C

PRODUCT SAFETY NOTE: Components marked with a Δ have special characteristics important to safety. Before replacing any of these components, please read carefully the Service Manual.

SYMBOL NO.	PART NO.	DESCRIPTION	SYMBOL NO.	PART NO.	DESCRIPTION
C902	0890096R	CER CAP B 4700PF 25V K	R37	0700054Q	RES CAR 1/16W 10K
C903	0890102R	CER CAP F 22000PF 50V Z	R38	0700067Q	RES CAR 1/16W 100KJ
C904	0890102R	CER CAP F 22000PF 50V Z	R39	0700044Q	RES CAR 1/16W 1.8KJ
C905	AL01562R	ELECT CAP (REA) 1000 μ F 16V	R40	0700044Q	RES CAR 1/16W 1.8KJ
C906	0800005Y	ELECT CAP SSL 2.2 μ F 50V	R41	0700052Q	RES CAR 1/16W 6.8K [W, WUN, WAU]
C907	0800003Y	ELECT CAP SSL 1 μ F 50V	R41	0700049Q	RES CAR 1/16W 4.7KJ [E, EBS]
C950	H240068	AXIAL CAP 0.1 μ F Z 50V	R42	0700052Q	RES CAR 1/16W 6.8K [W, WUN, WAU]
C951	0893133R	CHIP CAP 39CH 330PF J 50V	R42	0700049Q	RES CAR 1/16W 4.7KJ [E, EBS]
C952	0893133R	CHIP CAP 39CH 330PF J 50V	R43	0700057Q	RES CAR 1/16W 18K
C953	0893133R	CHIP CAP 39CH 330PF J 50V	R45	0700054Q	RES CAR 1/16W 10K
C954	0893133R	CHIP CAP 39CH 330PF J 50V	R46	0700051Q	RES CAR 1/16W 5.6K
C955	0893133R	CHIP CAP 39CH 330PF J 50V	R47	0790001R	CHIP RES 1/16W 0-J
C956	0893133R	CHIP CAP 39CH 330PF J 50V	R51	0700047Q	RES CAR 1/16W 3.3KJ
C957	0893232R	CHIP CAP C-1608 0.1 μ F 25V	R52	0700067Q	RES CAR 1/16W 100KJ
C958	0800012Y	ELECT CAP SSL 4.7 μ F 50V	R101	0790046R	CHIP RES RNC 1/16W 4.7K-J [E, EBS]
C960	0800012Y	ELECT CAP SSL 4.7 μ F 50V	R102	0790046R	CHIP RES RNC 1/16W 4.7K-J [E, EBS]
C962	0893232R	CHIP CAP C-1608 0.1 μ F 25V	R103	0790032R	CHIP RES RNC 1/16W 390-J
RESISTORS:					
R1	0700041Q	RES CAR 1/16W 1KJ	R104	0790032R	CHIP RES RNC 1/16W 390-J
R5	0700035Q	RES CAR 1/16W 390J	R105	0790062R	CHIP RES RNC 1/16 68K-J
R6	0700034Q	RES CAR 1/16W 330J	R106	0790062R	CHIP RES RNC 1/16 68K-J
R7	0700046Q	RES CAR FILM 1/16W 2.7KJ	R107	0790066R	CHIP RES RNC 1/16 150K-J
R8	0700034Q	RES CAR 1/16W 330J	R108	0790066R	CHIP RES RNC 1/16 150K-J
R9	0700032Q	RES CAR 1/16W 220J	R109	0790019R	CHIP RES RNC 1/16W 47-J
R10	0700041Q	RES CAR 1/16W 1KJ	R110	0790019R	CHIP RES RNC 1/16W 47-J
R11	0700034Q	RES CAR 1/16W 330J	R111	0790037R	CHIP RES RNC 1/16W 1K-J
R12	0700028Q	RES CAR 1/16W 120J	R112	0790037R	CHIP RES RNC 1/16W 1K-J
R14	AT01237R	FLAME RETARDENT RES 56ohm	R113	0790074R	CHIP RES RNC 1/16 560K-J
R15	0700051Q	RES CAR 1/16W 5.6K	R114	0790074R	CHIP RES RNC 1/16 560K-J
R16	0700045Q	RES CAR FILM 1/16W 2.2KJ	R115	0790059R	CHIP RES RNC 1/16W 47K-J
R17	0700041Q	RES CAR 1/16W 1KJ	R116	0790059R	CHIP RES RNC 1/16W 47K-J
R19	0700027Q	RES CAR 1/16W 100J	R117	0790015R	CHIP RES RNC 1/16 22-J
R20	0700056Q	RES CAR 1/16W 15K	R118	0790015R	CHIP RES RNC 1/16 22-J
R21	0700028Q	RES CAR 1/16W 120J	R119	0790073R	CHIP RES RNC 1/16W 470K-J
R22	0700062Q	RES CAR 1/16W 39K	R120	0790073R	CHIP RES RNC 1/16W 470K-J
R23	0700042Q	RES CAR 1/16W 1.2KJ [E, EBS]	R121	0790077R	CHIP RES RNC 1/16W 1M
R24	0700052Q	RES CAR 1/16W 6.8K	R122	0790077R	CHIP RES RNC 1/16W 1M
R25	0700054Q	RES CAR 1/16W 10K	R123	0790077R	CHIP RES RNC 1/16W 1M
R26	0700054Q	RES CAR 1/16 10K	R124	0790077R	CHIP RES RNC 1/16W 1M
R27	0700047Q	RES CAR 1/16W 3.3KJ	R125	0790077R	CHIP RES RNC 1/16W 1M
R29	0700065Q	RES CAR 1/16W 68KJ	R126	0790077R	CHIP RES RNC 1/16W 1M
R30	0187108Q	RES CAR FILM 1/16W 62KJ	R127	0790077R	CHIP RES RNC 1/16W 1M
R31	0187108Q	RES CAR FILM 1/16W 62KJ	R128	0790077R	CHIP RES RNC 1/16W 1M
R32	0700067Q	RES CAR 1/16W 100KJ [W, WUN, WAU]	R131	0790033R	CHIP RES RNC 1/16W 470-J
R32	0700069Q	RES CAR 1/16W 150KJ [E, EBS]	R132	0790033R	CHIP RES RNC 1/16W 470-J
R33	0700068Q	RES CAR 1/16W 120KJ [W, WUN, WAU]	R133	0790033R	CHIP RES RNC 1/16W 470-J
R33	0700071Q	RES CAR 1/16W 180KJ [E, EBS]	R134	0790033R	CHIP RES RNC 1/16W 470-J
R34	0700068Q	RES CAR 1/16W 120KJ [W, WUN, WAU]	R135	0790033R	CHIP RES RNC 1/16W 470-J
R34	0700071Q	RES CAR 1/16W 180KJ [E, EBS]	R136	0790033R	CHIP RES RNC 1/16W 470-J
R35	0700067Q	RES CAR 1/16W 100KJ [W, WUN, WAU]	R137	0790033R	CHIP RES RNC 1/16W 470-J
R35	0700069Q	RES CAR 1/16W 150KJ [E, EBS]	R138	0790033R	CHIP RES RNC 1/16W 470-J
R36	0700047Q	RES CAR 1/16W 3.3KJ	R141	0790033R	CHIP RES RNC 1/16W 470-J
			R142	0790033R	CHIP RES RNC 1/16W 470-J
			R143	0790033R	CHIP RES RNC 1/16W 470-J

PRODUCT SAFETY NOTE: Components marked with a \triangle have special characteristics important to safety. Before replacing any of these components, please read carefully the Service Manual.

SYMBOL NO.	PART NO.	DESCRIPTION	SYMBOL NO.	PART NO.	DESCRIPTION
R144	0790033R	CHIP RES RNC 1/16W 470-J	R209	0195904R	CHIP RES 1.5KJ 1/10W
R151	0790024R	CHIP RES RNC 1/16W 100-J	R210	0195904R	CHIP RES 1.5KJ 1/10W
R152	0790024R	CHIP RES RNC 1/16W 100-J	R211	0195904R	CHIP RES 1.5KJ 1/10W
R153	0790064R	CHIP RES RNC 1/16W 100K-J	R212	0790037R	CHIP RES RNC 1/16W 47-J
R154	0790064R	CHIP RES RNC 1/16W 100K-J	R213	AT01228T	FLAME RETARDANT RES 1/4W 27-J
R155	0790064R	CHIP RES RNC 1/16W 100K-J	R214	0195916R	CHIP RES 4.7KJ 1/10W
R156	0790064R	CHIP RES RNC 1/16W 100K-J	R215	0195925R	CHIP RES 10K J 1/10W
R157	0790024R	CHIP RES RNC 1/16W 100-J	R216	0195916R	CHIP RES 4.7K J 1/10W
R158	0790024R	CHIP RES RNC 1/16W 100-J	R221	AT03703T	FUSE RES 1/4W 4.7J
R159	0790064R	CHIP RES RNC 1/16W 100K-J	R222	0195887R	CHIP RES 330J 1/10W
R160	0790064R	CHIP RES RNC 1/16W 100K-J	R223	0195887R	CHIP RES 330J 1/10W
R161	0196096R	CHIP RES 1/16W 13K-J	R224	0195887R	CHIP RES 330J 1/10W
R162	0196096R	CHIP RES 1/16W 13K-J	R225	0195887R	CHIP RES 330J 1/10W
R163	0196096R	CHIP RES 1/16W 13K-J	R227	0195925R	CHIP RES 10KJ 1/10W
R164	0196096R	CHIP RES 1/16W 13K-J	R228	0195925R	CHIP RES 10KJ 1/10W
R165	0196096R	CHIP RES 1/16W 13K-J	R229	0195909R	CHIP RES 2.4KJ 1/10W
R166	0196096R	CHIP RES 1/16W 13K-J	R230	0195925R	CHIP RES 10KJ 1/10W
R169	0790064R	CHIP RES RNC 1/16W 100K-J	R231	0195925R	CHIP RES 10KJ 1/10W
R170	0790064R	CHIP RES RNC 1/16W 100K-J	R232	0195925R	CHIP RES 10KJ 1/10W
R171	0790024R	CHIP RES RNC 1/16W 100-J	R233	0195909R	CHIP RES 2.4KJ 1/10W
R172	0790024R	CHIP RES RNC 1/16W 100-J	R234	0195925R	CHIP RES 10KJ 1/10W
R173	0790051R	CHIP RES RNC 1/16W 10K-J	R235	0195941R	CHIP RES 47KJ 1/10W
R174	0790059R	CHIP RES RNC 1/16W 47K-J	R236	0195941R	CHIP RES 47KJ 1/10W
R176	0790064R	CHIP RES RNC 1/16W 100K-J	R237	0195941R	CHIP RES 47KJ 1/10W
R177	0790064R	CHIP RES RNC 1/16W 100K-J	R238	0195941R	CHIP RES 47KJ 1/10W
R178	0790064R	CHIP RES RNC 1/16W 100K-J	R241	0195875R	CHIP RES 100J 1/10W
R179	0196081R	CHIP RES 1/16W 3.6K-J	R242	0195875R	CHIP RES 100J 1/10W
R180	0196081R	CHIP RES 1/16W 3.6K-J	R243	0195950R	CHIP RES 100KJ 1/10W
R181	0790046R	CHIP RES RNC 1/16W 4.7K-J	R253	0195916R	CHIP RES 4.7KJ 1/10W
R182	0790046R	CHIP RES RNC1/16W 4.7K-J	R254	0195916R	CHIP RES 4.7KJ 1/10W
R183	0790046R	CHIP RES RNC 1/16W 4.7K-J	R261	0195923R	CHIP RES 9.1KJ 1/10W
R184	0790046R	CHIP RES RNC 1/16W 4.7K-J	R262	0195923R	CHIP RES 9.1KJ 1/10W
R185	0790059R	CHIP RES RNC 1/16W 47K-J	R263	0195941R	CHIP RES 47KJ 1/10W
R186	0790059R	CHIP RES RNC 1/16W 47K-J	R264	0790059R	CHIP RES RNC 1/16W 47K-J
R187	0196081R	CHIP RES 1/16W 3.6K-J	R265	0195900R	CHIP RES 1KJ 1/10W
R188	0196096R	CHIP RES 1/16W 13K-J	R266	0790037R	CHIP RES RNC 1/16W 1K-J
R190	0790054R	CHIP RES RNC 1/16 18K-J	R267	0195925R	CHIP RES 10KJ 1/10W
R191	0790059R	CHIP RES RNC 1/16W 47K-J	R268	0790051R	CHIP RES RNC 1/16W 10K-J
R192	0790046R	CHIP RES RNC 1/16W 4.7K-J	R269	0195935R	CHIP RES 27KJ 1/10W
R193	0790049R	CHIP RES RNC 1/16W 8.2K-J	R270	0195935R	CHIP RES 27KJ 1/10W
R194	0790059R	CHIP RES RNC 1/16W 47K-J	R271	0195900R	CHIP RES 1KJ 1/10W
R195	0790056R	CHIP RES RNC 1/16W 27K-J	R272	0195900R	CHIP RES 1KJ 1/10W
R196	0196102R	CHIP RES 1/16W 24K-J	R273	0195900R	CHIP RES 1KJ 1/10W
R197	0196102R	CHIP RES 1/16W 24K-J	R274	0195900R	CHIP RES 1KJ 1/10W
R198	0790024R	CHIP RES RNC 1/16W 100-J	R275	0195941R	CHIP RES 47KJ 1/10W
R199	0790064R	CHIP RES RNC 1/16W 100K-J	R276	0790059R	CHIP RES RNC 1/16W 47K-J
R200	0790042R	CHIP RES RNC 1/16W 22K-J	R277	0195900R	CHIP RES 1KJ 1/10W
R201	0195904R	CHIP RES 1.5KJ 1/10W	R278	0790037R	CHIP RES RNC 1/16W 1K-J
R202	0195925R	CHIP RES 10K 1/10W	R279	0195925R	CHIP RES 10KJ 1/10W
R203	0195925R	CHIP RES 10K 1/10W	R280	0790051R	CHIP RES RNC 1/16W 10K-J
R204	0195925R	CHIP RES 10K 1/10W	R281	0195935R	CHIP RES 27KJ 1/10W
R205	0195904R	CHIP RES 1.5K J 1/10W	R282	0195935R	CHIP RES 27KJ 1/10W
R206	0195904R	CHIP RES 1.5K J 1/10W	R283	0195900R	CHIP RES 1KJ 1/10W

PRODUCT SAFETY NOTE: Components marked with a Δ have special characteristics important to safety. Before replacing any of these components, please read carefully the Service Manual.

SYMBOL NO.	PART NO.	DESCRIPTION	SYMBOL NO.	PART NO.	DESCRIPTION
R284	0195900R	CHIP RES 1KJ 1/10W	R346	0790048R	CHIP RES RNC 1/16W 6.8KJ [E, EBS]
R285	0195900R	CHIP RES 1KJ 1/10W	R347	0790048R	CHIP RES RNC 1/16W 6.8KJ [E, EBS]
R286	0195900R	CHIP RES 1KJ 1/10W	R401	0790046R	CHIP RES RNC 1/16W 4.7K-J
R287	0195941R	CHIP RES 47KJ 1/10W	R402	0790046R	CHIP RES RNC 1/16W 4.7K-J
R288	0790059R	CHIP RES RNC 1/16W 47K-J	R403	0790046R	CHIP RES RNC 1/16W 4.7K-J
R289	0195900R	CHIP RES 1KJ 1/10W	R404	0790051R	CHIP RES RNC 1/16W 10K-J
R290	0790037R	CHIP RES RNC 1/16W 1K-J	R405	0790051R	CHIP RES RNC 1/16W 10K-J
R291	0195925R	CHIP RES 10KJ 1/10W	R406	0790051R	CHIP RES RNC 1/16W 10K-J
R292	0790051R	CHIP RES RNC 1/16W 10K-J	R407	0790061R	CHIP RES RNC 1/16 56K-J
R301	0700063Q	RES CAR 1/16W 47KJ	R408	0790061R	CHIP RES RNC 1/16 56K-J
R302	0700072Q	RES CAR FILM 1/16W 220KJ	R409	0790061R	CHIP RES RNC 1/16 56K-J
R303	0700063Q	RES CAR 1/16W 47KJ	R410	0790028R	CHIP RES RNC 1/16W 220-J
R304	0700067Q	RES CAR 1/16W 100KJ	R411	0790028R	CHIP RES RNC 1/16W 220-J
R305	0700046Q	RES CAR 1/16W 2.7K	R412	0790028R	CHIP RES RNC 1/16W 220-J
R306	0187062Q	RES CAR 1/16W 750J	R413	0790061R	CHIP RES RNC 1/16 56K-J
R307	0700067Q	RES CAR 1/16W 100KJ	R414	0790061R	CHIP RES RNC 1/16 56K-J
R308	0700063Q	RES CAR 1/16W 47KJ	R415	0790061R	CHIP RES RNC 1/16 56K-J
R309	0700063Q	RES CAR 1/16W 47KJ	R416	0700046Q	RES CAR FILM 1/16W 2.7KJ
R310	0700072Q	RES CAR FILM 1/16W 220KJ	R417	0700046Q	RES CAR FILM 1/16W 2.7KJ
R311	0700067Q	RES CAR 1/16W 100KJ	R418	0700046Q	RES CAR FILM 1/16W 2.7KJ
R312	0700049Q	RES CAR 1/16W 4.7KJ	R419	H129643	CAR RES 1/4W 33 KJ T
R313	0187062Q	RES CAR 1/16W 750J	R420	0700064Q	RES CAR 1/16W 56KJ
R314	0700027Q	RES CAR 1/16W 100J	R421	0700064Q	RES CAR 1/16W 56KJ
R315	0700063Q	RES CAR 1/16W 47KJ	R422	0700064Q	RES CAR 1/16W 56KJ
R316	0700072Q	RES CAR FILM 1/16W 220KJ	R423	H129615	CAR RES 1/4W 3.9 KJ T
R317	0700063Q	RES CAR 1/16W 47KJ	R424	H129615	CAR RES 1/4W 3.9 KJ T
R318	0700067Q	RES CAR 1/16W 100KJ	R427	AT01171T	FUSING RES 1/4W 100-J
R319	0700049Q	RES CAR 1/16W 4.7KJ	R428	AT01171T	FUSING RES 1/4W 100-J
R320	0187062Q	RES CAR 1/16W 750J	R429	AT03931	RES 0.22X2 (5W)
R321	0700027Q	CAR RES 1/16W 100J	R431	AT03931	RES 0.22X2 (5W)
R322	0700063Q	RES CAR 1/16W 47KJ	R433	AT03931	RES 0.22X2 (5W)
R323	0700063Q	RES CAR 1/16W 47KJ	R434	AT04121R	5W RES MTLOXIDE 39
R324	0700072Q	RES CAR FILM 1/16W 220KJ	R435	0196100R	CHIP RES 1/16W 20K-J
R325	0700049Q	RES CAR 1/16W 4.7KJ	R436	0196100R	CHIP RES 1/16W 20K-J
R326	0187062Q	RES CAR 1/16W 750J	R437	0196100R	CHIP RES 1/16W 20K-J
R327	0700067Q	RES CAR 1/16W 100KJ	R438	0790064R	CHIP RES 1/16W 100K-J
R328	0700027Q	RES CAR 1/16W 100J	R439	0790064R	CHIP RES 1/16W 100K-J
R329	0700063Q	RES CAR 1/16W 47KJ	R440	0790064R	CHIP RES 1/16W 100K-J
R330	0700072Q	RES CAR FILM 1/16W 220KJ	R441	0790069R	CHIP RES RNC 1/16W 270K-J
R331	0700063Q	RES CAR 1/16W 47KJ	R442	0790069R	CHIP RES RNC 1/16W 270K-J
R332	0700067Q	RES CAR 1/16W 100KJ	R443	0790069R	CHIP RES RNC 1/16W 270K-J
R333	0700041Q	RES CAR 1/16W 1KJ	R444	0790055R	CHIP RES RNC 1/16W 22K-J
R334	0700041Q	RES CAR 1/16W 1KJ	R445	0790055R	CHIP RES RNC 1/16W 22K-J
R335	0700027Q	RES CAR 1/16W 100J	R446	0790055R	CHIP RES RNC 1/16W 22K-J
R336	0700063Q	RES CAR 1/16W 47KJ	R453	0196100R	CHIP RES 1/16W 20K-J
R337	0700063Q	RES CAR 1/16W 47KJ	R454	0196100R	CHIP RES 1/16W 20K-J
R338	0700072Q	RES CAR FILM 1/16W 220KJ	R455	0196100R	CHIP RES 1/16W 20K-J
R339	0700041Q	RES CAR 1/16W 1KJ	R501	0790046R	CHIP RES RNC 1/16W 4.7K-J
R340	0700041Q	RES CAR 1/16W 1KJ	R502	0790046R	CHIP RES RNC 1/16W 4.7K-J
R341	0700067Q	RES CAR 1/16W 100KJ	R503	0790051R	CHIP RES RNC 1/16W 10K-J
R342	0700027Q	RES CAR 1/16W 100J	R504	0790051R	CHIP RES RNC 1/16W 10K-J
R343	0700049Q	RES CAR 1/16W 4.7KJ	R505	0790061R	CHIP RES RNC 1/16 56K-J
R344	0700047Q	RES CAR 1/16W 3.3KJ	R506	0790061R	CHIP RES RNC 1/16 56K-J

PRODUCT SAFETY NOTE: Components marked with a Δ have special characteristics important to safety. Before replacing any of these components, please read carefully the Service Manual.

SYMBOL NO.	PART NO.	DESCRIPTION	SYMBOL NO.	PART NO.	DESCRIPTION
R507	0790028R	CHIP RES RNC 1/16W 220-J	R619	0790077R	CHIP RES RNC 1/16W 1M
R508	0790028R	CHIP RES RNC 1/16W 220-J	R620	0790077R	CHIP RES RNC 1/16W 1M
R509	0790061R	CHIP RES RNC 1/16 56K-J	R621	0187048Q	RES CAR FILM 1/16W 200J
R510	0790061R	CHIP RES RNC 1/16 56K-J	R622	0187048Q	RES CAR FILM 1/16W 200J
R511	0700046Q	RES CAR FILM 1/16W 2.7KJ	R623	0187048Q	RES CAR FILM 1/16W 200J
R512	0700046Q	RES CAR FILM 1/16W 2.7KJ	R624	0187048Q	RES CAR FILM 1/16W 200J
R513	H129643	CAR RES 1/4W 33 KJ T	R625	0790051R	CHIP RES RNC 1/16W 10K-J
R514	AT03931	RES 0.22X2 (5W)	R626	0790051R	CHIP RES RNC 1/16W 10K-J
R516	AT03931	RES 0.22X2 (5W)	R627	0790022R	CHIP RES RNC 1/16 68-J
R518	0700064Q	RES CAR 1/16W 56KJ	R628	0790022R	CHIP RES RNC 1/16 68-J
R519	0700064Q	RES CAR 1/16W 56KJ	R630	0196033R	CHIP RES 1/16W 43-J
R520	H129615	CAR RES 1/4W 3.9 KJ T	R631	0196033R	CHIP RES 1/16W 43-J
R521	H129615	CAR RES 1/4W 3.9 KJ T	R632	0196033R	CHIP RES 1/16W 43-J
R522	0196100R	CHIP RES 1/16W 20K-J	R633	0790051R	CHIP RES RNC 1/16W 10K-J
R523	0196100R	CHIP RES 1/16W 20K-J	R634	0790051R	CHIP RES RNC 1/16W 10K-J
R524	0790064R	CHIP RES 1/16W 100K-J	R635	0790051R	CHIP RES RNC 1/16W 10K-J
R525	0790064R	CHIP RES 1/16W 100K-J	R636	0196039R	CHIP RES 1/16W 75J
R526	0790069R	CHIP RES RNC 1/16W 270K-J	R637	0196039R	CHIP RES 1/16W 75J
R527	0790069R	CHIP RES RNC 1/16W 270K-J	R638	0196039R	CHIP RES 1/16W 75J
R528	0790055R	CHIP RES RNC 1/16W 22K-J	R639	0196039R	CHIP RES 1/16W 75J
R529	0790055R	CHIP RES RNC 1/16W 22K-J	R640	0196039R	CHIP RES 1/16W 75J
R530	AT01056R	FLAME RETARDANT RES 1W 10-J	R641	0196039R	CHIP RES 1/16W 75J
R531	AT01056R	FLAME RETARDANT RES 1W 10-J	R645	0790037R	CHIP RES RNC 1/16W 1K-J
R532	AT01217R	FLAME RETARDANT RES 1/4W 10-J	R646	0196039R	CHIP RES 1/16W 75J
R533	AT01217R	FLAME RETARDANT RES 1/4W 10-J	R647	0196039R	CHIP RES 1/16W 75J
R534	0196100R	CHIP RES 1/16W 20K-J	R648	0790028R	CHIP RES RNC 1/16W 220-J
R535	0196100R	CHIP RES 1/16W 20K-J	R649	0196039R	CHIP RES 1/16W 75J
R536	AT03803R	FLAME RETARDANT RES 220-J 2W	R650	0196039R	CHIP RES 1/16W 75J
R537	AT03803R	FLAME RETARDANT RES 220-J 2W	R651	0790037R	CHIP RES RNC 1/16W 1K-J
R538	0790064R	CHIP RES RNC 1/16W 100K-J	R652	0196039R	CHIP RES 1/16W 75J
R539	0790051R	CHIP RES RNC 1/16W 10K-J	R653	0196039R	CHIP RES 1/16W 75J
R540	0790042R	CHIP RES RNC 1/16W 2.2K-J	R654	0790051R	CHIP RES RNC 1/16W 10K-J
R541	0790051R	CHIP RES RNC 1/16W 10K-J	R655	0790022R	CHIP RES RNC 1/16 68-J
R542	0790064R	CHIP RES RNC 1/16W 100K-J	R656	0790051R	CHIP RES RNC 1/16W 10K-J
R543	0790051R	CHIP RES RNC 1/16W 10K-J	R657	0790051R	CHIP RES RNC 1/16W 10K-J
R544	0790064R	CHIP RES RNC 1/16W 100K-J	R658	0790022R	CHIP RES RNC 1/16 68-J
R545	0790033R	CHIP RES RNC 1/16W 470-J	R659	0790051R	CHIP RES RNC 1/16W 10K-J
R548	AT01171T	FUSING RES 1/4W 100-J RF25SVTE	R660	0790022R	CHIP RES RNC 1/16 68-J
R549	AT01171T	FUSING RES 1/4W 100-J RF25SVTE	R661	0790051R	CHIP RES RNC 1/16W 10K-J
R550	AT03804S	FLAME RETARDANT RES 270-J 2W	R662	0790051R	CHIP RES RNC 1/16W 10K-J
R551	AT03804S	FLAME RETARDANT RES 270-J 2W	R663	0790022R	CHIP RES RNC 1/16 68-J
R584	0700059M	RES-CAR 1/16W 27KJ T	R664	0187048Q	RES CAR FILM 1/16W 200J
R585	0700059M	RES-CAR 1/16W 27KJ T	R665	0187048Q	RES CAR FILM 1/16W 200J
R601	0700049Q	RES CAR 1/16W 4.7KJ	R666	0187048Q	RES CAR FILM 1/16W 200J
R602	0700049Q	RES CAR 1/16W 4.7KJ	R667	0187048Q	RES CAR FILM 1/16W 200J
R603	0700049Q	RES CAR 1/16W 4.7KJ	R668	0187048Q	RES CAR FILM 1/16W 200J
R610	0196039R	CHIP RES 1/16W 75J	R669	0187048Q	RES CAR FILM 1/16W 200J
R611	0196039R	CHIP RES 1/16W 75J	R670	0790051R	CHIP RES RNC 1/16W 10K-J
R612	0196039R	CHIP RES 1/16W 75J	R671	0790051R	CHIP RES RNC 1/16W 10K-J
R615	0790051R	CHIP RES RNC 1/16W 10K-J	R672	0790059R	CHIP RES RNC 1/16W 47K-J
R616	0790051R	CHIP RES RNC 1/16W 10K-J	R673	0790064R	CHIP RES RNC 1/16W 100K-J
R617	0790033R	CHIP RES RNC 1/16W 470-J	R674	0790037R	CHIP RES RNC 1/16W 1K-J
R618	0790033R	CHIP RES RNC 1/16W 470-J	R675	0790073R	CHIP RES RNC 1/16W 470K-J

PRODUCT SAFETY NOTE: Components marked with a Δ have special characteristics important to safety. Before replacing any of these components, please read carefully the Service Manual.

SYMBOL NO.	PART NO.	DESCRIPTION	SYMBOL NO.	PART NO.	DESCRIPTION
R676	0790046R	CHIP RES RNC 1/16W 4.7K-J	R763	0790038R	CHIP RES RNC 1/16W 1.2K-J
R677	0790027Q	RES CAR 1/16W 100J	R764	0790038R	CHIP RES RNC 1/16W 1.2K-J
R678	0700036M	RES-CAR 1/16W 470J T	R765	0790028R	CHIP RES RNC 1/16W 220-J
R679	0700041Q	RES CAR 1/16W 1KJ	R766	0790028R	CHIP RES RNC 1/16W 220-J
R701	0790037R	CHIP RES RNC 1/16W 1K-J	R767	0196094R	CHIP RES 1/16W 11K-J
R702	0196050R	CHIP RES 1/16W 200-J	R768	0196094R	CHIP RES 1/16W 11K-J
R703	0196054R	CHIP RES 1/16W 300-J	R769	0790041R	CHIP RES RNC 1/16W 1.8K-J
R704	0196060R	CHIP RES 1/16W 510-J	R770	0790041R	CHIP RES RNC 1/16W 1.8K-J
R705	0790037R	CHIP RES RNC 1/16W 1K-J	R771	0790008R	CHIP RES RNC 1/16W 6.8-J
R706	0196079R	CHIP RES 1/16W 3K-J	R772	0790008R	CHIP RES RNC 1/16W 6.8-J
R707	0790037R	CHIP RES RNC 1/16W 1K-J	R773	0196050R	CHIP RES 1/16W 200-J
R708	0196050R	CHIP RES 1/16W 200-J	R774	0196050R	CHIP RES 1/16W 200-J
R709	0196054R	CHIP RES 1/16W 300-J	R775	0790018R	CHIP RES RNC 1/16W 39-J
R710	0196060R	CHIP RES 1/16W 510-J	R776	0790018R	CHIP RES RNC 1/16W 39-J
R711	0790037R	CHIP RES RNC 1/16W 1K-J	R777	0790024R	CHIP RES RNC 1/16W 100-J
R712	0196079R	CHIP RES 1/16W 3K-J	R778	0790024R	CHIP RES RNC 1/16W 100-J
R713	0790037R	CHIP RES RNC 1/16W 1K-J	R802	AT01171T	FUSING RES 1/4W 100-J
R714	0196050R	CHIP RES 1/16W 200-J	R803	AT01012R	FLAME RETARDANT RES 1W 0.22-J
R715	0196054R	CHIP RES 1/16W 300-J	R804	AT01012R	FLAME RETARDANT RES 1W 0.22-J
R716	0196060R	CHIP RES 1/16W 510-J	R805	AT01012R	FLAME RETARDANT RES 1W 0.22-J
R717	0790037R	CHIP RES RNC 1/16W 1K-J	R806	AT01012R	FLAME RETARDANT RES 1W 0.22-J
R718	0196079R	CHIP RES 1/16W 3K-J	R808	AT01092R	FLAME RETARDANT RES1W 220-J
R719	0790037R	CHIP RES RNC 1/16W 1K-J	R809	AT03802R	FLAME RETARDANT RES 1.8K 2W
R720	0196050R	CHIP RES 1/16W 200-J	R811	0790055R	CHIP RES RNC 1/16W 22K-J
R721	0196054R	CHIP RES 1/16W 300-J	R813	0196081R	CHIP RES 1/16W 3.6K-J
R722	0196060R	CHIP RES 1/16W 510-J	R814	0790025R	CHIP RES RNC 1/16W 120-J
R723	0790037R	CHIP RES RNC 1/16W 1K-J	R815	0790043R	CHIP RES RNC 1/16W 2.7K-J
R724	0700021M	RES CAR FILM 1/16W 33J	R816	0790073R	CHIP RES RNC 1/16W 470K-J
R725	0790051R	CHIP RES RNC 1/16W 10K-J	R817	0790019R	CHIP RES RNC 1/16W 47-J
R726	0790035R	CHIP RES RNC 1/16W 680-J	R818	0790046R	CHIP RES RNC 1/16W 4.7K-J
R727	0790035R	CHIP RES RNC 1/16W 680-J	R819	0790019R	CHIP RES RNC 1/16W 47-J
R728	0790059R	CHIP RES RNC 1/16W 47K-J	R820	0790037R	CHIP RES RNC 1/16W 1K-J
R729	0790059R	CHIP RES RNC 1/16W 47K-J	R821	0790006R	CHIP RES RNC 1/16W 4.7-J
R730	0790032R	CHIP RES RNC 1/16W 390-J	R822	0790051R	CHIP RES RNC 1/16W 10K-J
R731	0790024R	CHIP RES RNC 1/16W 100-J	R823	0790059R	CHIP RES RNC 1/16W 47K-J
R732	0790024R	CHIP RES RNC 1/16W 100-J	R824	0790057R	CHIP RES RNC 1/16W 33K-J
R733	0700054M	RES CAR FILM 1/16W 10KJ	R826	0790051R	CHIP RES RNC 1/16W 10K-J
R734	0790059R	CHIP RES RNC 1/16W 47K-J	R827	0790068R	CHIP RES RNC 1/16W 220K-J
R735	0790059R	CHIP RES RNC 1/16W 47K-J	R828	0790051R	CHIP RES RNC 1/16W 10K-J
R736	0790059R	CHIP RES RNC 1/16W 47K-J	R829	0790046R	CHIP RES RNC 1/16W 4.7K-J
R737	0790051R	CHIP RES RNC 1/16W 10K-J	R830	0790046R	CHIP RES RNC 1/16W 4.7K-J
R738	0196079R	CHIP RES 1/16W 3K-J	R831	0790037R	CHIP RES RNC 1/16W 1K-J
R739	0790035R	CHIP RES RNC 1/16W 680-J	R832	0790051R	CHIP RES RNC 1/16W 10K-J
R740	0790032R	CHIP RES RNC 1/16W 390-J	R833	0790037R	CHIP RES RNC 1/16W 1K-J
R741	0790059R	CHIP RES RNC 1/16W 47K-J	R834	0790037R	CHIP RES RNC 1/16W 1K-J
R751	0790049R	CHIP RES RNC 1/16W 8.2K-J	R835	0790046R	CHIP RES RNC 1/16W 4.7K-J
R752	0790049R	CHIP RES RNC 1/16W 8.2K-J	R836	0790051R	CHIP RES RNC 1/16W 10K-J
R753	0196112R	CHIP RES 1/16W 62K-J	R837	0196100R	CHIP RES 1/16W 20K-J
R754	0196112R	CHIP RES 1/16W 62K-J	R838	0196096R	CHIP RES 1/16W 13K-J
R755	0790053R	CHIP RES RNC 1/16W 15K-J	R839	0790051R	CHIP RES RNC 1/16W 10K-J
R756	0790053R	CHIP RES RNC 1/16W 15K-J	R840	0790041R	CHIP RES RNC 1/16W 1.8K-J
R757	0196112R	CHIP RES 1/16W 62K-J	R841	0790042R	CHIP RES RNC 1/16W 2.2K-J
R758	0196112R	CHIP RES 1/16W 62K-J	R842	0790059R	CHIP RES RNC 1/16W 47K-J

PRODUCT SAFETY NOTE: Components marked with a Δ have special characteristics important to safety. Before replacing any of these components, please read carefully the Service Manual.

SYMBOL NO.	PART NO.	DESCRIPTION	SYMBOL NO.	PART NO.	DESCRIPTION
R843	AT01089R	RES METAL FILM 1W 180J	TR10	2314361R	TRS DTA114TSATP
R844	0790046R	CHIP RES RNC 1/16W 4.7K-J	TR101	CA00292R	TRS . DTA144EKT146
R845	0790051R	CHIP RES RNC 1/16W 10K-J	TR102	2316691R	TRS DTC144EKAT
R846	AT01096R	RES METAL FILM 1W 330J	TR103	CA00291R	TRS DTA114EKT146
R847	0790046R	CHIP RES RNC 1/16W 4.7K-J	TR104	2316691R	TRS DTC144EKAT
R848	0790051R	CHIP RES RNC 1/16W 10K-J	TR105	CA00292R	TRS . DTA144EKT146
R849	AT01096R	FLAME RETARDENT RES 1W 330-J	TR106	2316691R	TRS DTC144EKAT
R850	0790046R	CHIP RES RNC 1/16W 4.7K-J	TR107	2316691R	TRS DTC144EKAT
R851	0790051R	CHIP RES RNC 1/16W 10K-J	TR108	2324085T	TRS 2SK105 A (2) TP
R852	AT01096R	FLAME RETARDENT RES 1W 330-J	TR109	2324085T	TRS 2SK105 A (2) TP
R853	0790046R	CHIP RES RNC 1/16W 4.7K-J	TR201	CA01161R	TRS 2SC3326
R854	0790051R	CHIP RES RNC 1/16W 10K-J	TR202	CA01161R	TRS 2SC3326
R855	0700032Q	RES CAR 1/16W 220-J	TR203	CA01161R	TRS 2SC3326
R861	0790042R	CHIP RES RNC 1/16W 2.2K-J	TR204	CA0116R	TRS 2SC3326
R862	0790042R	CHIP RES RNC 1/16W 2.2K-J	TR205	CA01161R	TRS 2SC3326
R863	0790051R	CHIP RES RNC 1/16W 10K-J	TR206	CA01161R	TRS2SC3326
R864	0790051R	CHIP RES RNC 1/16W 10K-J	TR207	CA00291R	TRS DTA114EKT146
R865	0790051R	CHIP RES RNC 1/16W 10K-J	TR208	2316691R	TRS DTC144EKAT
R866	0790051R	CHIP RES RNC 1/16W 10K-J	TR209	2325691R	TRS. CHIP 2SC2412KT146R
R867	0196100R	CHIP RES 1/16W 20K-J [W, WUN, WAU]	TR210	2325691R	TRS. CHIP 2SC2412KT146R
R868	0196100R	CHIP RES 1/16W 20K-J [W, WUN, WAU]	TR210	2324085T	TRS 2SK105 A (2) TP
R869	0196093R	CHIP RES RNC 1/16W 10K-J [W, WUN, WAU]	TR401	CA01161R	TRANS 2SC3326
R869	0790001R	CHIP RES 1/16W 0-J [E, EBS]	TR402	CA01161R	TRANS 2SC3326
R871	0790051R	CHIP RES RNC 1/16W 10K-J	TR403	CA01161R	TRANS 2SC3326
R872	0790051R	CHIP RES RNC 1/16W 10K-J	TR404	CF01201R	TRS 2SC1841-T (E/F)
R873	0790051R	CHIP RES RNC 1/16W 10K-J	TR405	CF01201R	TRS 2SC1841-T (E/F)
R874	0790051R	CHIP RES RNC 1/16W 10K-J	TR406	CF01201R	TRS 2SC1841-T (E/F)
R875	0790051R	CHIP RES RNC 1/16W 10K-J	TR501	CA01161R	TRANS 2SC3326
R876	0790051R	CHIP RES RNC 1/16W 10K-J	TR502	CA01161R	TRANS 2SC3326
R877	0790051R	CHIP RES RNC 1/16W 10K-J	TR503	CF01201R	TRS 2SC1841-T (E/F)
R902	0700049Q	RES CAR 1/16W 4.7KJ	TR504	CF01201R	TRS 2SC1841-T (E/F)
R903	0700054Q	RES CAR 1/16W 10K	TR505	CA00291R	TRS DTA114EKT146
R951	0790001R	CHIP RES 1/16W 0-J	TR506	CA00291R	TRS DTA114EKT146
R952	0790001R	CHIP RES 1/16W 0-J	TR507	CA01161R	TRANS 2SC3326
R955	0790024R	CHIP RES RNC 1/16W 100-J	TR601	2329183T	TRS 2SA1015-GR (TE2,T)
R956	0790024R	CHIP RES RNC 1/16W 100-J	TR602	2329183T	TRS 2SA1015-GR (TE2,T)
R957	0790001R	CHIP RES 1/16W 0-J	TR603	2329183T	TRS 2SA1015-GR (TE2,T)
R959	0790024R	CHIP RES RNC 1/16W 100-J	TR604	2329183T	TRS 2SA1015-GR (TE2,T)
R960	0790001R	CHIP RES 1/16W 0-J	TR605	2329183T	TRS 2SA1015-GR (TE2,T)
R961	0790001R	CHIP RES 1/16W 0-J	TR606	2329183T	TRS 2SA1015-GR (TE2,T)
R964	0790024R	CHIP RES RNC 1/16W 100-J	TR607	2316361R	TRS. DTC114EKT146
R965	0790024R	CHIP RES RNC 1/16W 100-J	TR608	2325691R	TRS. CHIP 2SC2412KT146R
R966	0790001R	CHIP RES 1/16W 0-J	TR609	CA00691R	TRS 2SA1037AKT146R
R968	0790024R	CHIP RES RNC 1/16W 100-J	TR701	2316361R	TRS . DTC114EKT146
TRANSISTORS :			TR702	2316361R	TRS . DTC114EKT146
TR1	CF01121R	TRS 2SK161-Y (TPE4)	TR703	2316361R	TRS . DTC114EKT146
TR2	CF01141R	TRS 2SC2058STPQ	TR704	CA00292R	TRS . DTA144EKT146
TR3	2326862R	TRS DTA114ES TP	TR705	2316691R	TRS DTC144EKAT
TR4	2326862R	TRS DTA114ES TP	TR706	CA00292R	TRS . DTA144EKT146
TR7	CF01331R	TRS DTC323TSTP	TR707	2316691R	TRS DTC144EKAT
TR8	CF01331R	TRS DTC323TSTP	TR708	CA00292R	TRS . DTA144EKT146
TR9	CF01211R	TRS DTC144TSATP	TR709	2316691R	TRS DTC144EKAT
			TR710	2316361R	TRS . DTC114EKT146

PRODUCT SAFETY NOTE: Components marked with a \triangle have special characteristics important to safety. Before replacing any of these components, please read carefully the Service Manual.

SYMBOL NO.	PART NO.	DESCRIPTION	SYMBOL NO.	PART NO.	DESCRIPTION
TR711	CA00292R	TRS . DTA144EKT146	IC302	CP06421	IC LC7536
TR712	2316691R	TRS DTC144EKAT	IC303	CP06421	IC LC7536
TR801	2328625T	TRS 2SB647C TZ	IC304	CK02301T	IC NJM2068M
TR802	CF01191R	TRS 2SA988-T (E/F)	IC305	CK02301T	IC NJM2068M
TR804	2325691R	TRS. CHIP 2SC2412KT146R	IC306	CK02301T	IC NJM2068M
TR805	CA00691R	TRS 2SA1037AKT146R	IC307	CK02301T	IC NJM2068M
TR806	2325691R	TRS. CHIP 2SC2412KT146R	IC308	CK02301T	IC NJM2068M
TR807	2325691R	TRS. CHIP 2SC2412KT146R	IC309	CK02301T	IC NJM2068M
TR808	2325691R	TRS. CHIP 2SC2412KT146R	IC401	CP07391	IC STK413-010B
TR809	2325691R	TRS. CHIP 2SC2412KT146R	IC501	CP07401	IC STK412-010B
TR810	CA00691R	TRS 2SA1037AKT146R	IC601	CK32011R	IC TC74HC151AF (EL)
TR811	2325691R	TRS. CHIP 2SC2412KT146R	IC602	DT00261	TORX178B (OPTICAL OUT)
TR812	CA00301R	TRS DTC143EKAT146	IC603	DT00261	TORX178B (OPTICAL OUT)
TR813	2325691R	TRS. CHIP 2SC2412KT146R	IC604	DT00261	TORX178B (OPTICAL OUT)
TR814	CA00291R	TRS DTA114EKT146	IC605	CP07201	IC BA7625
TR815	2325691R	TRS. CHIP 2SC2412KT146R	IC606	CP07211	IC BA7612N
TR816	2325691R	TRS. CHIP 2SC2412KT146R	IC607	CP07211	IC BA7612N
TR817	2325691R	TRS. CHIP 2SC2412KT146R	IC608	CP07211	IC BA7612N
TR818	2325691R	TRS. CHIP 2SC2412KT146R	IC609	CK34321R	IC BA7626F
TR819	2325691R	TRS. CHIP 2SC2412KT146R	IC610	CP07201	IC BA7625
TR820	2325691R	TRS. CHIP 2SC2412KT146R	IC611	CK01811R	IC BU4066BCF-T1
TR821	CF01191R	TRS 2SA988-T (E/F)	IC701	CK32051	IC LC75721E
TR901	2318303T	TRS 2SC1740S (S) TP	IC702	CW00202	I/R RECEIVER MODULE PIC-28043
ICS:			IC751	CK01451R	IC BA15218F-E2
IC1	2300412W	IC LA1265S	IC801	CK34282	IC TMP87PS71F
IC2	CP03061	IC LA3401	IC802	CP04231	IC BA05T
IC3	CK09831R	IC LC72131MD-TRM	IC803	CP02412	IC KIA7806API
IC4	CP02414	IC KIA7809PI	IC804	CP02416	IC KIA7812API
IC91	CK04451	IC SAA6579T/V1 (D-C850) [E, EBS]	IC805	CP05542	IC KIA7912PI
IC92	CK04471R	IC LC7074M [E, EBS]	IC806	CP04231	IC BA05T
IC101	CK02301T	IC NJM2068M	IC951	CK32021R	IC TC9164AF (ELP)
IC102	CK32031	IC TC9273F-007	DIODES:		
IC151	2388301R	IC BA4558F-T1	D1	2398921T	DIODE ISS133T-72
IC152	2388301R	IC BA4558F-T1	D2	2398921T	DIODE ISS133T-72
IC171	CK01451R	IC BA15218F-E2	D3	2398921T	DIODE ISS133T-72
IC172	CK01451R	IC BA15218F-E2	D4	2398921T	DIODE ISS133T-72
IC173	CK01451R	IC BA15218F-E2	D101	2398921T	DIODE ISS133T-72
IC201	CK09541R	IC HD74HCT245TELL	D102	2398921T	DIODE ISS133T-72
IC202	CK32042	IC AK4527	D103	2398921T	DIODE ISS133T-72
IC203	CK33841U	IC ZR38650	D201	CC00003R	DIODE ISS355TE-17
IC204	CK34871A	IC MX27C400MC-12	D202	CC00003R	DIODE ISS355TE-17
IC205	CK01451R	IC BA15218F-E2	D203	CC00003R	DIODE ISS355TE-17
IC206	CK01451R	IC BA15218F-E2	D401	2398921T	DIODE ISS133T-72
IC207	CK01451R	IC BA15218F-E2	D402	2398921T	DIODE ISS133T-72
IC208	CK01451R	IC BA15218F-E2	D403	2398921T	DIODE ISS133T-72
IC209	CK01451R	IC BA15218F-E2	D404	2398921T	DIODE ISS133T-72
IC210	CK33861U	IC IS61C3216-15T	D405	2398921T	DIODE ISS133T-72
IC211	CK33861U	IC IS61C3216-15T	D406	2398921T	DIODE ISS133T-72
IC212	CK34041R	IC TC7SET04F	D407	2398921T	DIODE ISS133T-72
IC213	CZ00671R	IC BA033FP-E2	D408	2398921T	DIODE ISS133T-72
IC214	CZ00672R	IC BA05FP-E2	D409	2398921T	DIODE ISS133T-72
IC301	CP06421	IC LC7536	D410	2398921T	DIODE ISS133T-72

PRODUCT SAFETY NOTE: Components marked with a \triangle have special characteristics important to safety. Before replacing any of these components, please read carefully the Service Manual.

SYMBOL NO.	PART NO.	DESCRIPTION	SYMBOL NO.	PART NO.	DESCRIPTION
S725	FE00411R	TACT SWITCH (SKQNABD010)	CN6B	EY00105	B/B SOCKET IMSA9110S-16L
S726	FE00411R	TACT SWITCH (SKQNABD010)	CN7B	EY00091	B-B SOCKET IMSA-9110S-03L
S901	FE00361	POWER SWITCH SY16-22-1 (U99SI) T	CN8B	EY00094	6P SOCKET 9110S-06L
S902	FG00011	VOLTAGE SELECTOR SWITCH [W, WUN, WAU]	CN9B	EY00097	B-B SOCKET 1MSA9110S-09L
S903	FG00011	VOLTAGE SELECTOR SWITCH [W, WUN, WAU]	CN10B	EY00097	B-B SOCKET 1MSA9110S-09L
MISCELLANEOUS :			CN11B	EY00094	6P SOCKET 9110S-06L
\triangle AP1	EV00586	CEE POWER CORD W/BUSH L=2M [E,EBS,W,WUN]	CN16B	EY00095	B-B SOCKET 1MSA9110S-07L
\triangle AP1	EV00589	POWER CORD [WAU]	CN17B	EY00092	4P SOCKET 9110S-04
BL1	BH00531	MW ANT. COIL (BLOCK)	CN18B	EY00092	4P SOCKET 9110S-04
CF1	2134992	CER FILTER SFE 10.7MA8-A [W, WUN, WAU]	CN19B	EY00484	6P SOCKET 1MSA913S0S-06L
CF1	BN00101	CER. FILTER SFT 10.7MS2-A [E, EBS]	CN20B	EY00488	B/B SOCKET 1MSA9130S-10L
CF2	BN00101	CER. FILTER SFT 10.7MS2-A [E, EBS]	CN21B	EY00094	6P SOCKET 9110S-06L
CF2	BN00111	CER FILTER SFE1 0.7MS2G-A [W, WUN, WAU]	E003	2729252R	FUSE HOLDER (TAPING)
CF3	BP00501	CER. FILTER BFU450C4N	E004	2729252R	FUSE HOLDER (TAPING)
CF4	BP00491	CERAMIC FILTER CMU2-456A16	E005	2729252R	FUSE HOLDER [W, WUN, WAU]
CN3	ED01425	TXL 3P CONN	E006	2729252R	FUSE HOLDER [W, WUN, WAU]
CN12	EF06919	KR-DA CONN 4P L=500MM	E007	2729252R	FUSE HOLDER (TAPING)
CN13	EF06892	KR-DA CONN 7P L=300MM	E008	2729252R	FUSE HOLDER (TAPING)
CN14	2909049	PH-SAN CONN 2P L=220MM	E009	2729252R	FUSE HOLDER (TAPING)
CN15	EF06879	KR-DA CONN 3P L=250MM	E010	2729252R	FUSE HOLDER (TAPING)
CN22	2909046L	PH-SAN CONN 2P L=160MM	E011	2729252R	FUSE HOLDER (TAPING)
CN201	EF06809	3P KR-DA CONN L=240	E012	2729252R	FUSE HOLDER (TAPING)
CN202	EY00102	13P SOCKET 9110S-13	E013	2729252R	FUSE HOLDER (TAPING)
CN203	EY00097	9P SOCKET IMSA 9110S-09L	E014	2729252R	FUSE HOLDER (TAPING)
CN204	EF06824	4P KR-DA CONN L=140	ECP01	EP00062	EURO CONVERTER PLUG [EBS]
CN205	EF06015	5P MX SHIELD CONNECTOR	FB201	BM00288R	BLM11B471SBPT
CN206	EF06014	3P MX SHIELD CONNECTOR	FB202	BM00288R	BLM11B471SBPT
CN1A	ED00772	MX CONN 7P (52045-0745)	FB203	BM00288R	BLM11B471SBPT
CN2A	ED03326	19P FFC CON BASE	FB204	BM00288R	BLM11B471SBPT
CN4A	EY00073	B-B PIN HEADER IMSA-9110B-05	FB205	BM00288R	BLM11B471SBPT
CN5A	EY00079	B-B PIN HEADER IMSA-9110B-11L	FB206	BM00288R	BLM11B471SBPT
CN6A	EY00085	B/B PIN HEADER IMSA9110B-16	FB207	BM00288R	BLM11B471SBPT
CN7A	EY00071	B-B PIN HEADER IMSA-9110B-03	FB208	BM00288R	BLM11B471SBPT
CN8A	EY00074	6P PIN HEADER 9110B-06	FB209	BM00288R	BLM11B471SBPT
CN9A	EY00077	B-B PIN HEADER IMSA9110B-09	FB210	BM00288R	BLM11B471SBPT
CN10A	EY00077	B-B PIN HEADER 1MSA9110B-09	FB211	BM00288R	BLM11B471SBPT
CN11A	EY00074	6P PIN HEADER 9110B-06	FB212	BZ01421	BL02RN1-R62
CN16A	EY00075	B-B PIN HEADER 1MSA9110B-07	FB213	BZ01421	BL02RN1-R62
CN17A	EY00072	4P PIN HEADER 9110B-04	FB214	BZ01421	BL02RN1-R62
CN18A	EY00072	4P PIN HEADER 9110B-04	FB218	0195250R	JAMPER CHIP
CN19A	EY00514	6P PIN HEADER 1MSA9130B-06	FB219	BM00288R	BLM11B471SBPT
CN20A	EY00518	10P PIN HEADER 1MSA9130B-10	FB220	BM00288R	BLM11B471SBPT
CN21A	EY00074	6P PIN HEADER 9110B-06	FB221	BM00288R	BLM11B471SBPT
CN201A	2959052	3P PIN POST (A2001VW2-3P)	FB222	BM00288R	BLM11B471SBPT
CN202A	EY00082	B-B PIN HEADER 1MSA9110B-13	FB223	BM00288R	BLM11B471SBPT
CN203A	EY00077	B-B PIN HEADER 1MSA9110B-09	FB224	BM00288R	BLM11B471SBPT
CN204A	2959053	4P PIN POST (A2001VW2-4P)	FB231	BZ01421	BL02RN1-R62
CN1B	ED00321	MX BOTTOM/E CONN (52492-0720)	FB401	BZ01422M	8L01RN1-A62
CN2B	ED00323	19P FFC CON BOTTOM	FB402	BZ01422M	8L01RN1-A62
CN4B	EY00093	B-B SOCKET IMSA-9110S-05L	FB403	BZ01422M	8L01RN1-A62
CN5B	EY00099	B-B SOCKET IMSA-9110S-11L	FB404	BZ01422M	8L01RN1-A62
			FB405	BZ01423R	BL02RN2-R62
			FB406	BZ01423R	BL02RN2-R62

PRODUCT SAFETY NOTE: Components marked with a Δ have special characteristics important to safety. Before replacing any of these components, please read carefully the Service Manual.

SYMBOL NO.	PART NO.	DESCRIPTION	SYMBOL NO.	PART NO.	DESCRIPTION
FB601	BZ01423R	BL02RN2-R62	J873	0790001R	CHIP RES 1/16W 0-J
FB602	BZ01423R	BL02RN2-R62	J874	0790001R	CHIP RES 1/16W 0-J
FB603	BZ01423R	BL02RN2-R62	J875	AQ00701R	CHIP JUMPER 0-J 1/4W RK73K2ETD
FB701	BZ01421	FERRITE BEAD INDUCTOR	J876	0790001R	CHIP RES 1/16W 0-J
FL701	DD00421	FL TUBE	J877	0790001R	CHIP RES 1/16W 0-J
J182	0790001R	CHIP RES 1/16W 0-J	J878	0790001R	CHIP RES 1/16W 0-J
J701	0790001R	CHIP RES 1/16W 0-J	J879	0790001R	CHIP RES 1/16W 0-J
J702	0790001R	CHIP RES 1/16W 0-J	J880	0790001R	CHIP RES 1/16W 0-J
J703	0790001R	CHIP RES 1/16W 0-J	J881	AQ00701R	CHIP JUMPER 0-J 1/4W RK73K2ETD
J704	0790001R	CHIP RES 1/16W 0-J	J882	0790001R	CHIP RES 1/16W 0-J
J705	AQ00701R	CHIP JUMPER 0-J 1/4W RK73K2ETD	J883	0790001R	CHIP RES 1/16W 0-J
J706	0790001R	CHIP RES 1/16W 0-J	J884	AQ00701R	CHIP JUMPER 0-J 1/4W RK73K2ETD
J707	0790001R	CHIP RES 1/16W 0-J	J885	0790001R	CHIP RES 1/16W 0-J
J708	0790001R	CHIP RES 1/16W 0-J	J886	AQ00701R	CHIP JUMPER 0-J 1/4W RK73K2ETD
J709	0790001R	CHIP RES 1/16W 0-J	J887	AQ00701R	CHIP JUMPER 0-J 1/4W RK73K2ETD
J710	0790001R	CHIP RES 1/16W 0-J	J888	0790001R	CHIP RES 1/16W 0-J
J711	0790001R	CHIP RES 1/16W 0-J	J889	AQ00701R	CHIP JUMPER 0-J 1/4W RK73K2ETD
J712	0790001R	CHIP RES 1/16W 0-J	J890	AQ00701R	CHIP JUMPER 0-J 1/4W RK73K2ETD
J713	AQ00701R	CHIP JUMPER 0-J 1/4W RK73K2ETD	J891	AQ00701R	CHIP JUMPER 0-J 1/4W RK73K2ETD
J714	0790001R	CHIP RES 1/16W 0-J	J892	0790001R	CHIP RES 1/16W 0-J
J715	0790001R	CHIP RES 1/16W 0-J	J893	AQ00701R	CHIP JUMPER 0-J 1/4W RK73K2ETD
J716	AQ00701R	CHIP JUMPER 0-J 1/4W RK73K2ETD	JK1	EU00011	ANTENNA TERMINAL BOARD
J717	0790001R	CHIP RES 1/16W 0-J	JK101	ER00223	6P US PIN JACK HSP-246V1-01
J718	0790001R	CHIP RES 1/16W 0-J	JK102	ER00222	8P US PIN JACK HSP-248V1-01
J719	0790001R	CHIP RES 1/16W 0-J	JK401	EU00089	4P SP TERMINAL
J720	0790001R	CHIP RES 1/16W 0-J	JK501	ER00811	4P SCREW TERMINAL
J721	0790001R	CHIP RES 1/16W 0-J	JK502	ER00612	6P SCREW TERMINAL
J722	0790001R	CHIP RES 1/16W 0-J	JK503	2695013	HEAD PHONE JACK 6.4 HTJ-064-07
J723	0790001R	CHIP RES 1/16W 0-J	JK504	ER00241	RCA PIN JACK D-C1250/C850
J724	AQ00701R	CHIP JUMPER 0-J 1/4W RK73K2ETD	JK601	ER00234	3P US PIN JACK (YEL) YKC213508
J725	0790001R	CHIP RES 1/16W 0-J	JK603	ER00771	2P US PIN JACK (YEL)
J726	0790001R	CHIP RES 1/16W 0-J	JK604	ER00228	2P US PIN JACK
J727	0790001R	CHIP RES 1/16W 0-J	JK605	ER00761	9P US PIN JACK
J728	AQ00701R	CHIP JUMPER 0-J 1/4W RK73K2ETD	JK608	ER00781	3P S-VIDEO
J729	0790001R	CHIP RES 1/16W 0-J	JK609	ER00791	2P S-VIDEO
J730	AQ00701R	CHIP JUMPER 0-J 1/4W RK73K2ETD	JK951	ER00223	6P US PIN JACK HSP-246V1-01
J731	0790001R	CHIP RES 1/16W 0-J	JP202	0790001R	CHIP RES 1/16W 0-J
J732	0790001R	CHIP RES 1/16W 0-J	JP206	0195250R	CHIP RES 1/10W 0-J RK73K2ATD
J733	0790001R	CHIP RES 1/16W 0-J	JP207	0195250R	CHIP RES 1/10W 0-J RK73K2ATD
J734	AQ00701R	CHIP JUMPER 0-J 1/4W RK73K2ETD	K701	0790001R	CHIP RES 1/16W 0-J
J735	0790001R	CHIP RES 1/16W 0-J	K702	0790001R	CHIP RES 1/16W 0-J
J736	AQ00701R	CHIP JUMPER 0-J 1/4W RK73K2ETD	K703	0790001R	CHIP RES 1/16W 0-J
J737	AQ00701R	CHIP JUMPER 0-J 1/4W RK73K2ETD	K704	0790001R	CHIP RES 1/16W 0-J
J738	AQ00701R	CHIP JUMPER 0-J 1/4W RK73K2ETD	K705	0790001R	CHIP RES 1/16W 0-J
J739	AQ00701R	CHIP JUMPER 0-J 1/4W RK73K2ETD	K709	0790001R	CHIP RES 1/16W 0-J
J740	0790001R	CHIP RES 1/16W 0-J	K710	0790001R	CHIP RES 1/16W 0-J
J741	0790001R	CHIP RES 1/16W 0-J	L802	BZ01421	FERRITE BEAD INDUCTOR
J742	0790001R	CHIP RES 1/16W 0-J	LF1	2136313	LPF FB-7SG
J743	0790001R	CHIP RES 1/16W 0-J	LF2	2136314	LPF FB-7SG
J744	AQ00701R	CHIP JUMPER 0-J 1/4W RK73K2ETD	LF3	2136314	LPF FB-7SG
J745	0790001R	CHIP RES 1/16W 0-J	LF101	BJ00211	LOW PASS FILTER [E, EBS]
J871	0790001R	CHIP RES 1/16W 0-J	LF102	BJ00211	LOW PASS FILTER [E, EBS]
J872	0790001R	CHIP RES 1/16W 0-J	N701	NJ04521	FL HOLDER

PRODUCT SAFETY NOTE: Components marked with a \triangle have special characteristics important to safety. Before replacing any of these components, please read carefully the Service Manual.

SYMBOL NO.	PART NO.	DESCRIPTION	SYMBOL NO.	PART NO.	DESCRIPTION
PG3	2658692W	TXL-P03P-M1 (RIGHT ANGLE)			
PG12	2959053	PIN POST (A2001WV2-4P)			
PG13	2959056	PIN POST (A2001WV2-7P)			
PG14	2959051	2P PIN POST (A2001WV2-2P)			
PG15	2959052	PIN POST (A2001WV2-3P)			
PG22	2959051	2P PIN POST (A2001WV2-2P)			
PG24	2959052	3P PH PIN POST			
PG25	2674284	3.96MM PIN POST (B2P4-VH-B)			
PG205	2674264	MX MINI PIN POST (53253-0510)			
PG206	2674262	MX MINI PIN POST (53253-0310)			
RY401	2641322	SPEAKER RELAY ALA2F24			
RY402	2641322	SPEAKER RELAY ALA2F24			
RY501	2641322	SPEAKER RELAY ALA2F24			
RY502	2641322	SPEAKER RELAY ALA2F24			
RY503	2641322	SPEAKER RELAY ALA2F24			
RY901	FJ00152	RELAY (ALKS325)			
T201	0544408	LUG TERMINAL			
TH801	CJ00151	THERMISTOR PTH9M04BB			
TU1	HH00041	TUNER PACK [W, WUN, WAU]			
TU1	HH00042	TUNER PACK FE450-G01[E, EBS]			
VR1	AW00107	VAR RES NVZ6TL1 B20K			
VR752	AY00682	VAR RES 30K-C XVB141 02GPNV17			
VR753	AY00681	VAR RES 10K-C XVB141 GPNV17.5			
W1	EK01218	1P BOARD IN CONN L=100MM WHT [W, WUN, WAU]			
W2	EK01236	1P BOARD IN CONN L=150MM BLUE [W, WUN WAU]			
W3	EK01231	1P BOARD IN CONN L=150MM BLK [W, WUN, WAU]			
W4	EK01231	1P BOARD IN CONN L=150MM BLK			
W5	EK01244	1P BOARD IN CONN L=175MM ORG			
W6	EK01244	1P BOARD IN CONN L=175MM ORG [W, WUN, WAU]			
W7	EK01233	1P BOARD IN CONN L=150MM RED [W, WUN, WAU]			
W8	EK01246	1P BOARD IN CONN L=175MM BLU [W, WUN, WAU]			
W9	EK01241	1P BOARD IN CONN L=175MM BLK [W, WUN, WAU]			
W251	EK00234	HCUJ (1.25)-7F-90-10S5			
W261	EK01023	19P FFC CABLE (L=130)			
X801	BP00141	OSC CST8.00MTW			
X201	BP01071	CRYSTAL 12.288MHZ			
XT1	2170132R	CRYSTAL 7.200MHZ TAPING			
XT91	2170133R	CRYSTAL 4.332MHZ TAPING [E, EBS]			
XT92	2792071R	CER.OSC.CST4.00MGW-TF01 [E, EBS]			
Z017	9563449	NISSEI SF SLEEVE ESG-3 8MM DIA			
Z019	1ZA4042	SENJU SOLDER			
Z020	9473457	ETHYL ALCOHOL			
Z022	9414017	SILICONE GREASE G-746			
Z023	9414017	SILICONE GREASE G-746			
Z024	7998081	NITTO SPV-367 TAPE 70MMX200M			
Z025	9451125	UL TUBE NO.7/16 AH6 CLEAR			
CABINET CHASSIS:					
			1	8679606	SCREW 4X6 DT BIND B
			2	8699410	SCREW 3X10 BT BIND B
			3	8699410	SCREW 3X10 BT BIND B
			4	8699414	SCREW 3X14 BT BIND B
			5	8679606	SCREW 4X6 DT BIND B
			6	8691410	SCREW 3X10 BT BIND
			7	8691414	SCREW 3X14 BT BIND
			8	8691410	SCREW 3X10 BT BIND
			9	8699408	SCREW 3X8 BT BIND B
			10	8699410	SCREW 3X10 BT BIND B
			11	8699410	SCREW 3X10 BT BIND B
			12	8991410	SCREW 3X10 BT BIND
			13	8691410	SCREW 3X10 BT BIND
			14	8679406	SCREW 3X6 DT BIND B
			15	8679406	SCREW 3X6 DT BIND B
			16	8679408	SCREW 3X8 DT BIND B
			17	NX03961	PHONO EARTH TERMINAL
			18	QJ00214	FOOT (W)
				QJ00213	FOOT (E, EBS, WUN, WAU)
			19	PC04294	TUNER BUTTON [E, EBS, WUN, WAU]
				PC04293	TUNER BUTTON (W)
			20	PC04272	MASTER VOL KNOB [E, EBS, WUN, WAU]
				PC04273	MASTER VOL KNOB (W)
			21	PC04282	BASS TREBLE KNOB [E, EBS, WUN, WAU]
				PC04283	BASS TREBLE KNOB (W)
			22	PH08312	CLEAR PANEL
			23	PC01785	POWER BUTTON (W)
				PC01784	POWER BUTTON [E, EBS, WUN, WAU]
			24	8691408	SCREW 3X8 BT BIND
			25	8691410	SCREW 3X10 BT BIND
			26	8679406	SCREW 3X6 DT BIND B
			27	MS00211	FELT
			28	QA02071	TOP COVER [E, EBS, WUN, WAU]
				QA00499	TOP COVER (W)
			29	QA00481	BOTTOM CHASSIS
			30	4692076	CUSHION
			31	MN01592	TOP COVER SHEET (W)
				MN01593	TOP COVER SHEET [E, EBS, WUN WAU]
			32	NJ02063	SHEET HOLDER [E, EBS, WUN, WAU]
				NJ02062	SHEET HOLDER (W)
			33	ML00251	MINI PWB POST
			34	ML01011	PWB SUPPORT
			35	ML00261	PWB SUPPORT L
			36	MK00246	NUT M9X0.75
			37	MK00321	NUT M12X1
			38	EV00586	AC CORD W/BUSH [E, EBS, WUN, WAU]
				EV00589	AC CORD W/BUSH (WAU)

PRODUCT SAFETY NOTE: Components marked with a \triangle have special characteristics important to safety. Before replacing any of these components, please read carefully the Service Manual.

SYMBOL NO.	PART NO.	DESCRIPTION	SYMBOL NO.	PART NO.	DESCRIPTION
39	HL01492	REMOTE CONTROLLER RB-1S			
40	EY00281	EDISON PLUG ADAPTER			
41	PH08835	FRONT PANEL [E/EBS]			
	PH08837	FRONT PANEL [WUN, WAU]			
	PH08839	FRONT PANEL (W)			
42	PH08244	INNER PANEL [E, EBS, WUN, WAU]			
	PH08245	INNER PANEL (W)			
43	QA01962	REAR PLATE [E/EBS]			
	QA01966	REAR PLATE [W, WUN, WAU]			
44	PC04463	FUNCTION BUTTON (W)			
	PC04462	FUNCTION BUTTON [E, EBS, WUN, WAU]			
45	PC04303	SURROUND BUTTON (W)			
	PC04304	SURROUND BUTTON [E, EBS, WUN, WAU]			
46	PC04313	SP BUTTON (W)			
	PC04312	SP BUTTON [E, EBS, WUN, WAU]			
47	EF02133	FM ANT. CONNECTOR			
48	2759342	AM LOOP ANT			
49	ML01041	PUSH RIVET (HOLDER)			
50	8691408	SCREW 3X8 BT BIND			
51	8699308	SCREW 2.6X8 BT BIND B [W, WUN, WAU]			
52	EP00062	EURO-CONVERTER PLUG (EBS ONLY)			

M E M O

M E M O

HITACHI

Hitachi, Ltd. Tokyo, Japan
International Sales Division
THE HITACHI ATAGO BUILDING,
No. 15-12 Nishi Shinbashi, 2-Chome,
Minato-Ku, Tokyo 105-8430, Japan.
Tel: 03 35022111

HITACHI EUROPE LTD.

Dukes Meadow
Millboard Road
Bourne End
Buckinghamshire
SL8 5XF

UNITED KINGDOM

Tel: 01628 643000

Fax: 01628 643400

Email: consumer-service@hitachi-eu.com

HITACHI EUROPE S.A.

364, Kifissias Ave. & 1, Delfon Str.
152 33 Chalandri

Athens

GREECE

Tel: 1-6837200

Fax: 1-6835694

Email: service.hellas@hitachi-eu.com

HITACHI EUROPE GmbH

Munich Office
Dornacher Strasse 3
D-85622 Feldkirchen bei München

GERMANY

Tel: +49 -89-991 80-0

Fax: +49 - 89 - 991 80 -224

Hotline: +49 - 180 - 551 25 51 (12ct/min.)

Email: HSE-DUS.Service@Hitachi-eu.com

HITACHI EUROPE S.A.

Gran Via Carlos III, 101 - 1
08028 Barcelona

SPAIN

Tel: 93 409 2550

Fax: 93 491 3513

Email: rplan@hitachi-eu.com

HITACHI EUROPE SRL

Via T. Gulli n.39
20147 MILAN

ITALY

Tel: 02 487861

Fax: 02 48786381

Servizio Clienti

Tel. 02 38073415

Email: customerservice.italy@hitachi-eu.com

HITACHI EUROPE AB

Box 77

S-164 94 KISTA

SWEDEN

Tel: 08 562 711 00

Fax: 08 562 711 11

Email: csgswe@hitachi-eu.com

HITACHI EUROPE S.A.S

Lyon Office
B.P. 45, 69671 Bron Cedex

FRANCE

Tel: 04 72 14 29 70

Fax: 04 72 14 29 99

Email: france.consommateur@hitachi-eu.com

HITACHI EUROPE LTD.

Norwegian Branch Office
Strandveien 18
1366 Dysaker

NORWAY

Tel: 02205 9060

Fax: 02205 9061

Email: csgnor@hitachi-eu.com

ITEM N.V./S.A. (INTERNATIONAL TRADE FOR ELECTRONIC MATERIAL & MEDIA N.V./S.A)

UCO Tower - Bellevue, 17
B - 9050 GENT

BELGIUM (for BENELUX)

Tel: 09 230 48 01

Fax: 09 230 96 80

Email: hitachi.item@skynet.be

www.hitachi-consumer-eu.com

SM0103
Sept 2000