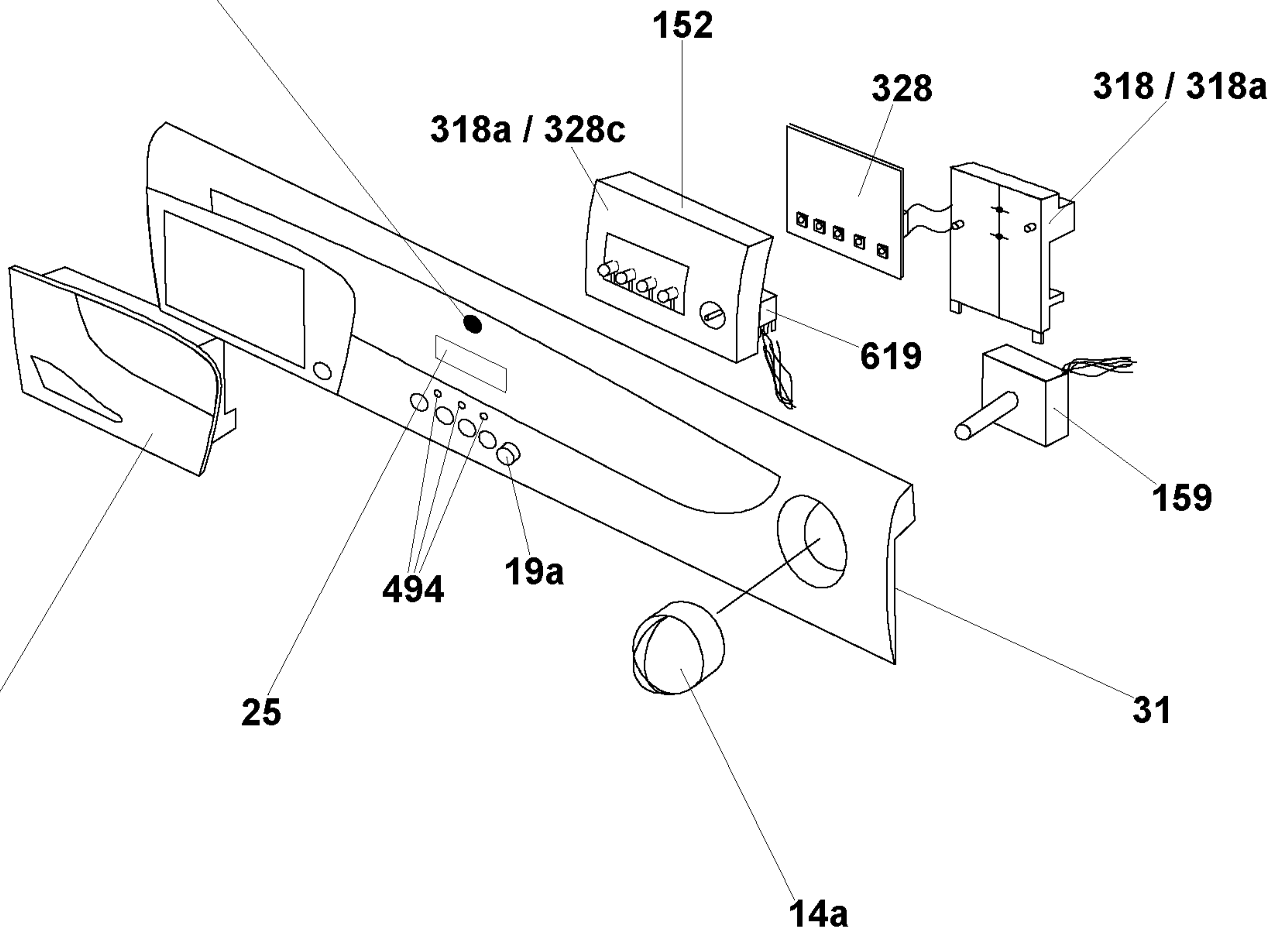
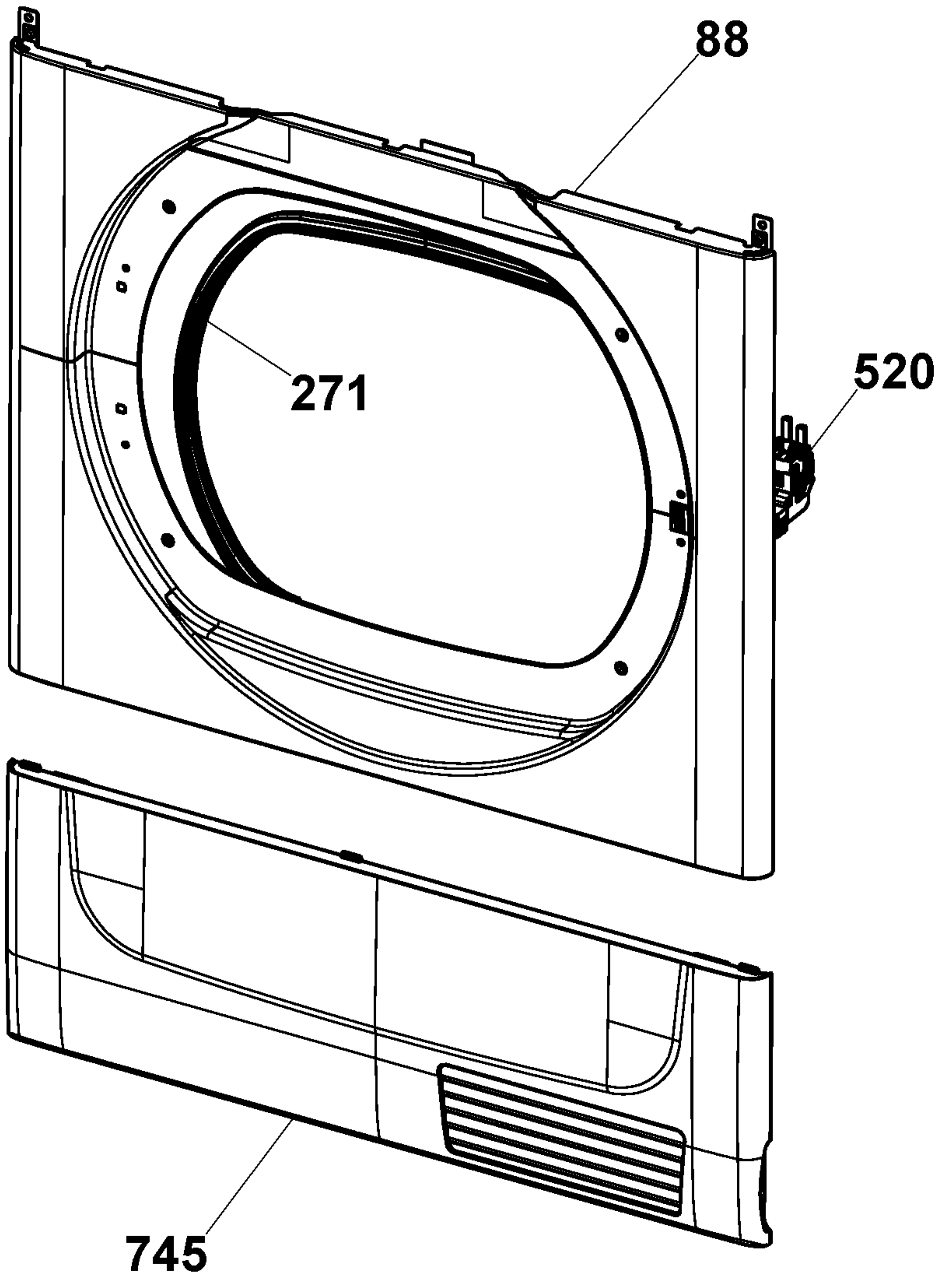
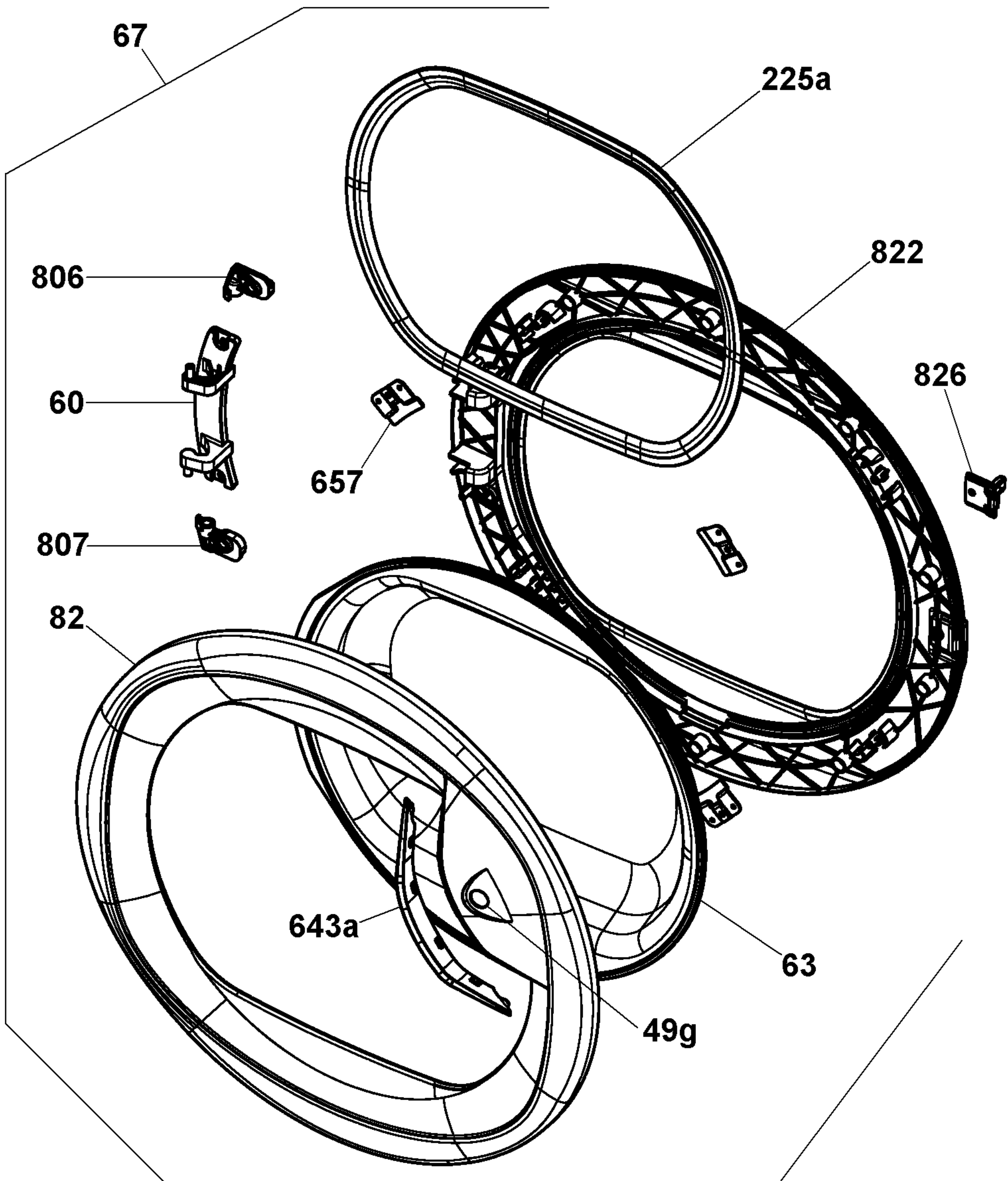


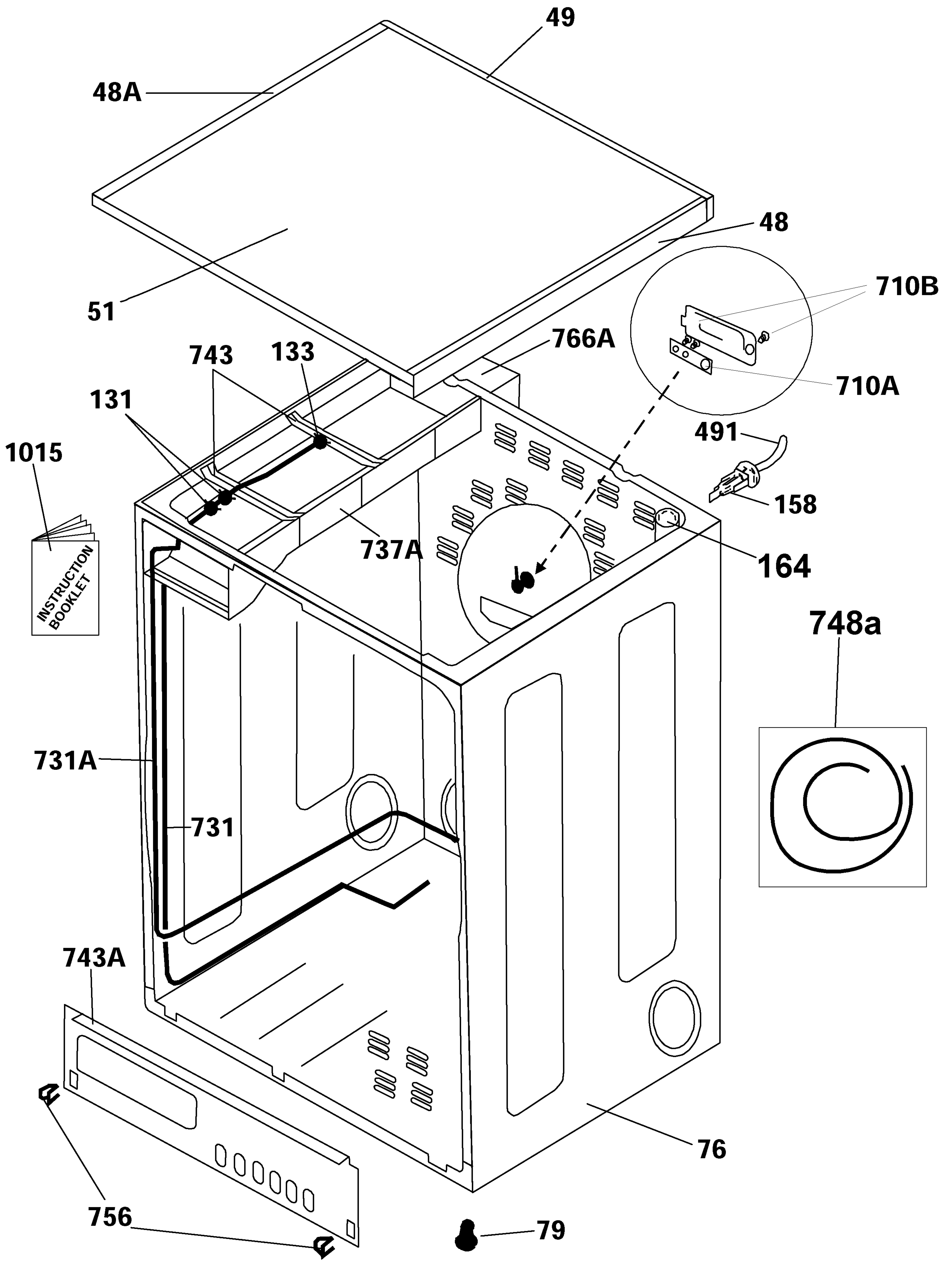
49g / 825a / 1068

766

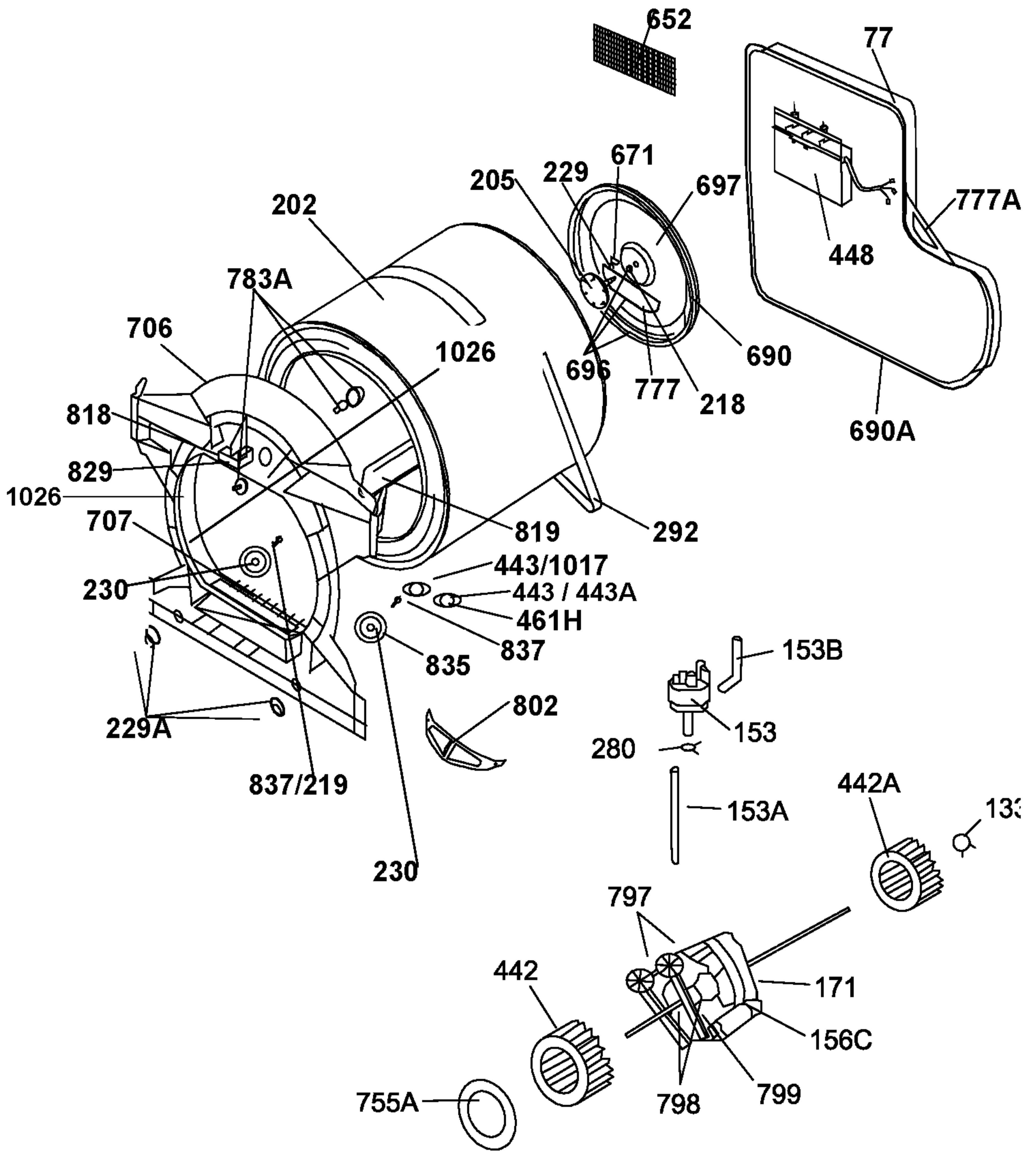








CONDENSER CABINET



DRUM ASSY - CONDENSER

'B' CLASS DUCT ASSEMBLY

