
Service Manual

Side by Side

MSZ 802 DF/HA

Model Version		Page
MSZ 802 DF/HA 8503 402 11000		
	Technical data	2
	Spare part list	3 - 4
	Exploded view	5 - 14
	Circuit and Wiring diagram	15



R o H S

Technical data

Factory Code

SB 540 W

Dimensions

Height	177.0	cm
Width	90.2	cm
Depth	74.2	cm

Capacity

Total		
gross	546	l
net	483	l
Cooling		
gross	340	l
net	335	l
Freezing		
gross	206	l
net	155	l

Electrical connection

Voltage	220 - 240	V
Frequency	50	Hz

Power consumption

in 24 hours	1.38	kWh
-------------	------	-----

Freezing capacity

in 24 hours	12	kg
-------------	----	----

Capacity (ice cube machine)

in 24 hours	2.3	kg
-------------	-----	----

Compressor

Type	EGYS 90 HLP	
Capacity (CECOMAF)	170	W

Refrigerant

Type	R 134 a	
Quantity	160	g

Thermostat

Electronic

Spare part list

Model **MSZ 802 DF/HA**
Service No. **850340211000**
Version **850340211000**

Pos. No.	12NC Code	Description	Pos. No.	12NC Code	Description
011 6	4812 462 48436	Foot adjustable	241 1	4812 458 19384	Drawer
012 1	4819 008 36054	Wheel	242 0	4812 418 29806	Drawer
012 4	4812 310 68021	Key wheel kit	242 3	4812 418 29814	Drawer
033 7	4812 459 48188	Cover corner BL	245 9	4812 440 79307	Tray
040 0	4812 417 19245	Hinge upper left	249 0	4812 440 69396	Cover drawer
040 1	4812 417 19246	Hinge upper right	249 3	4812 460 49851	Trim
040 2	4812 417 19261	Hinge lower right	249 4	4812 460 49282	Trim glass plate
040 4	4812 417 19262	Hinge lower left	251 1	4812 440 98282	Cover f. lamp
040 6	4812 417 19102	Holder adjust. bottom	251 5	4812 453 10381	Cover f. lamp
040 7	4812 417 78184	Cover hinge right	251 6	4812 460 49289	Trim
040 8	4812 417 78185	Cover hinge left	251 8	4812 380 28028	Lid lamp
047 0	4819 021 82178	Bushing door cooling	252 0	4812 440 79331	Lampholder kit printed INDESIT
047 1	4812 532 48035	Bushing door freezer	255 0	4812 450 88482	Glass shelf freezer large
047 2	4812 440 29448	Cover door bushing fridge	255 1	4812 418 29803	Glass shelf refrigerator
047 4	4812 462 28564	Stopper door freezer	255 2	4812 450 88483	Glass shelf freezer small
070 0	4812 452 98349	Plinth	255 3	4812 450 88484	Glass shelf drawer top
084 3	4812 404 18558	Rubber motor fan	255 4	4812 450 88095	Glass shelf refrigerator
101 0	4812 416 10507	Door freezer IN	255 5	4812 450 88441	Glass shelf
104 0	4812 416 10511	Door refriger. IN	255 7	4812 418 29804	Cover plate refrigerator
105 4	4812 535 38099	Bracket door freezer	255 8	4812 466 78438	Crisper cover
111 3	4812 462 28961	Handle assy left side silver	256 0	4812 460 58384	Slide air inlet
111 4	4812 462 28963	Handle bracket	256 5	4819 466 98997	Rail air inlet
111 6	4812 462 28964	Handle assy right side silver	261 0	4812 462 38306	Chasis f. basket right
111 7	4812 459 18301	Nameplate HOTPOINT/ARISTON	261 1	4812 462 38329	Slide left
131 0	4819 535 98657	Lever ice water	261 2	4812 462 38331	Guide basket right side
131 1	4819 535 98656	Lever ice maker	261 3	4812 462 38332	Guide basket left side
131 2	4812 440 69307	Flap ice outlet	263 8	4812 404 48702	Stud right
131 3	4819 021 80224	Hopper icecubes	263 9	4812 404 48701	Stud left
131 4	4812 440 69075	Mechanism ice dispenser	304 0	4812 418 88995	Support dispenser
131 7	4819 021 80223	Delay ice dispenser	320 0	4812 452 28965	Control panel
131 8	4819 021 80210	Pin ice dispenser	320 1	4812 218 48168	Unit electric. 7-seg. Indesit green-LED
151 0	4812 488 68139	Profile door freezer	324 2	4812 223 18446	Flap
152 0	4812 418 29963	Shelf dairy door	324 5	4812 418 70034	Housing ice maker
152 2	4812 418 29808	Rack freezer	401 1	4812 404 78843	Support motor
152 5	4812 418 20003	Separator dairy door	402 0	4812 360 39057	Compressor EGYS 90 HLP 220-240/50
153 0	4812 440 29555	Cover dairy door	402 1	4812 418 28378	Cup thaw water
153 3	4812 418 29811	Bottle shelf	402 2	4819 360 48014	Valve flap
154 5	4812 418 29961	Shelf dairy door	402 4	4812 440 79129	Clip compressor
154 9	4812 418 29962	Bottle shelf	406 0	4812 361 38134	Motor
155 0	4812 418 29802	Holder eggs	406 3	4812 492 68218	Clip
175 4	4812 418 29817	Adapter	440 3	4812 445 28077	Motor air channel
175 5	4812 462 79964	Flap	440 4	4812 462 38141	Slide
191 0	4812 466 88647	Magnetic seal cooling	440 5	4812 445 28036	Air diffuser filter microban
191 1	4812 466 88648	Magnetic seal freezer	440 6	4819 462 38778	Slide
201 7	4819 466 69949	Gasket support fan	440 7	4812 452 98237	Insulator condenser
220 2	4812 515 18029	Wheel worm	440 8	4812 440 79136	Flap deoderiser
220 4	4812 418 08005	Drum ice dispenser	441 0	4812 028 58339	Motor
220 6	4812 440 98349	Front panel ice maker	441 1	4819 462 48418	Grommet compressor
221 3	4812 395 78016	Knife	442 0	4812 361 38119	Motor fan condenser/compressor
221 6	4812 460 58441	Deflector ice	442 1	4819 404 78682	Bracket evaporator fan
221 7	4812 404 78842	Switch shaft	443 0	4819 515 48057	Fan blade
239 0	4812 418 48977	Container icecube	443 1	4812 442 29337	Housing motor fan
239 5	4812 690 28049	Ice maker	451 0	4819 021 88177	Element defrost
239 6	4812 690 28048	Ice maker panel	451 1	4812 401 18807	Clamp defrost heater
241 0	4812 458 19385	Drawer	491 0	4812 290 88103	Connection block

Spare part list

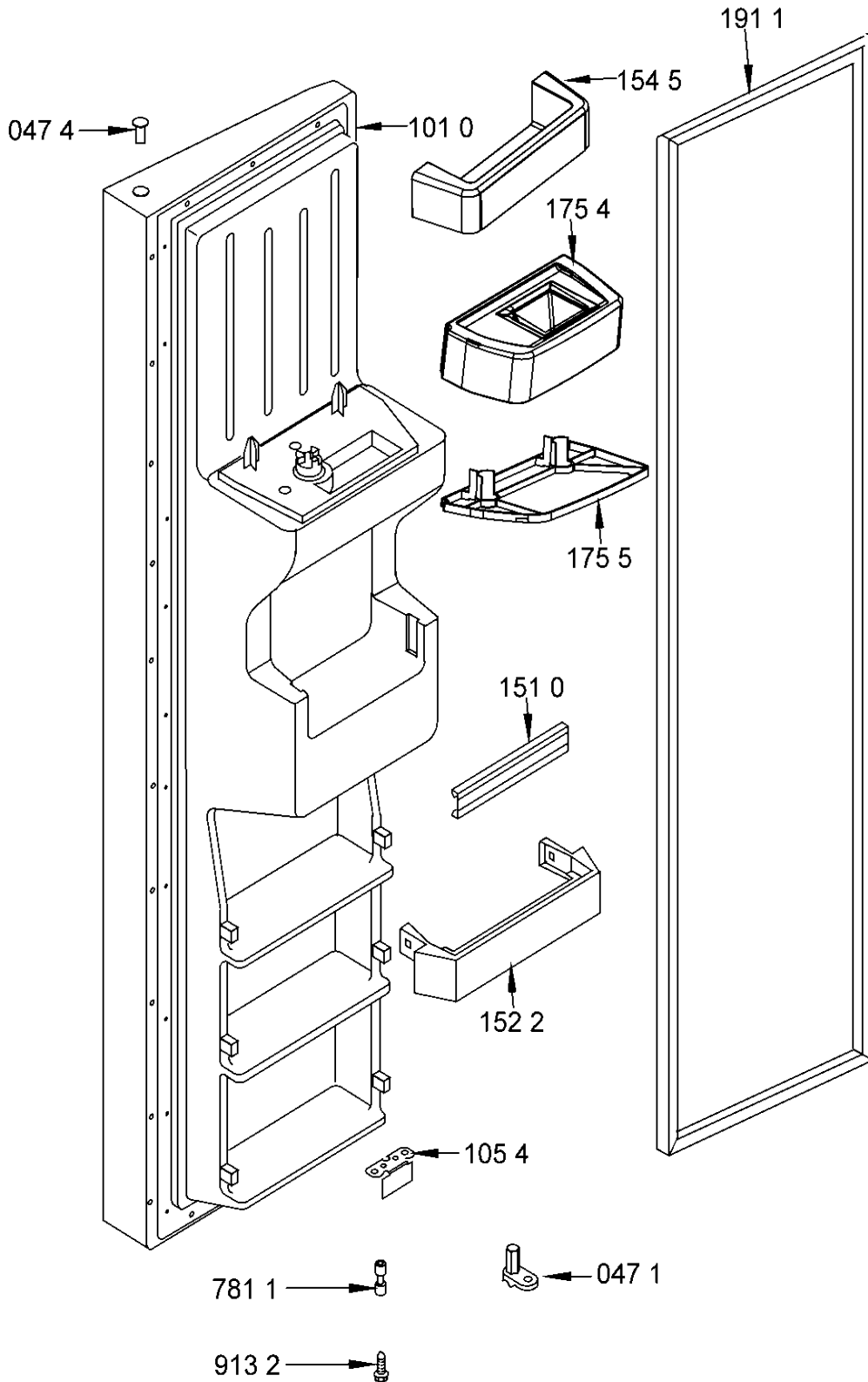
Model MSZ 802 DF/HA
Service No. 850340211000
Version 850340211000

Pos. No.	12NC Code	Description
526 2	4812 217 78268	Control board assembly
526 5	4812 440 29368	Lid electronic box
561 2	4812 290 68325	Connection block
562 1	4812 320 58132	Cable harness bi-metal thermostat
562 2	4812 404 18519	Support bi-metal
571 0	4812 360 58486	Valve inlet water
571 1	4812 281 68429	Solenoid
571 2	4812 462 38308	Guide solenoid
614 0	4812 282 28347	Monoblock
620 1	4812 277 88002	Switch dispenser
620 4	4819 276 18157	Switch light refrigerator 2pol.
620 5	4812 036 88001	Switch freezer light 4pol.
621 0	4819 271 38044	Microswitch ice maker + dispenser
626 1	4812 440 79112	Deflector fresh food comp.
643 0	4812 215 38024	Thermometer
651 0	4812 134 18033	Lamp 40W 220V T-CLICK
651 2	4812 134 28092	Lamp 10W 240V E14 T25
652 0	4812 255 18306	Holder lamp
652 4	4812 255 68008	Holder lamp dispenser
691 3	4812 404 78553	Support NTC
691 7	4812 310 18846	Sensor fridge/freezer kit
701 0	4812 526 48179	Coupling piece hose freezer door
701 5	4812 263 38006	Connector water guide
702 1	4812 401 48603	Water guide
711 0	4812 310 19128	Reservoir ice water
740 0	4812 511 48435	Condenser
743 0	4812 442 29342	Air guide kit
743 3	4812 466 88722	Gasket condenser fan frame
745 0	4812 360 38648	Evaporator
745 4	4819 492 68684	Clip earthing
745 6	4812 440 79113	Heat shield evaporator
746 0	4812 440 98347	Evaporator cover
746 1	4812 440 98225	Conveyor damper/ice maker
746 3	4812 440 98348	Insulation multiflow lower
746 5	4812 440 69397	Cover multiflow center
746 7	4812 440 79302	Cover multiflow lower
764 2	4812 480 28092	Dryer
781 0	4812 262 78009	Cap water filter
781 1	4812 535 48013	Clutch water pipe door
781 8	4812 480 88024	Filter water
781 9	4812 418 28379	Filter body
783 1	4812 530 29439	Hose
783 8	4812 530 29458	Adapter hose 3/4"
783 9	4812 530 29408	Hose connection filter/inlet valve
785 0	4812 530 29348	Tube evaporator drain
900 5	4819 492 68544	Clip fix drain tube
900 7	4812 404 18483	Bracket heating
912 4	4812 560 18067	Screw ice motor
913 2	4812 560 18013	Screw door
913 7	4812 502 18578	Screw clamp drain tube
914 1	4812 126 08008	Nut
922 0	4812 049 98002	Clip
922 6	4812 049 98001	Ring circlip
930 0	4812 492 28217	Spring ice dispenser
930 1	4819 021 94719	Rail dispenser

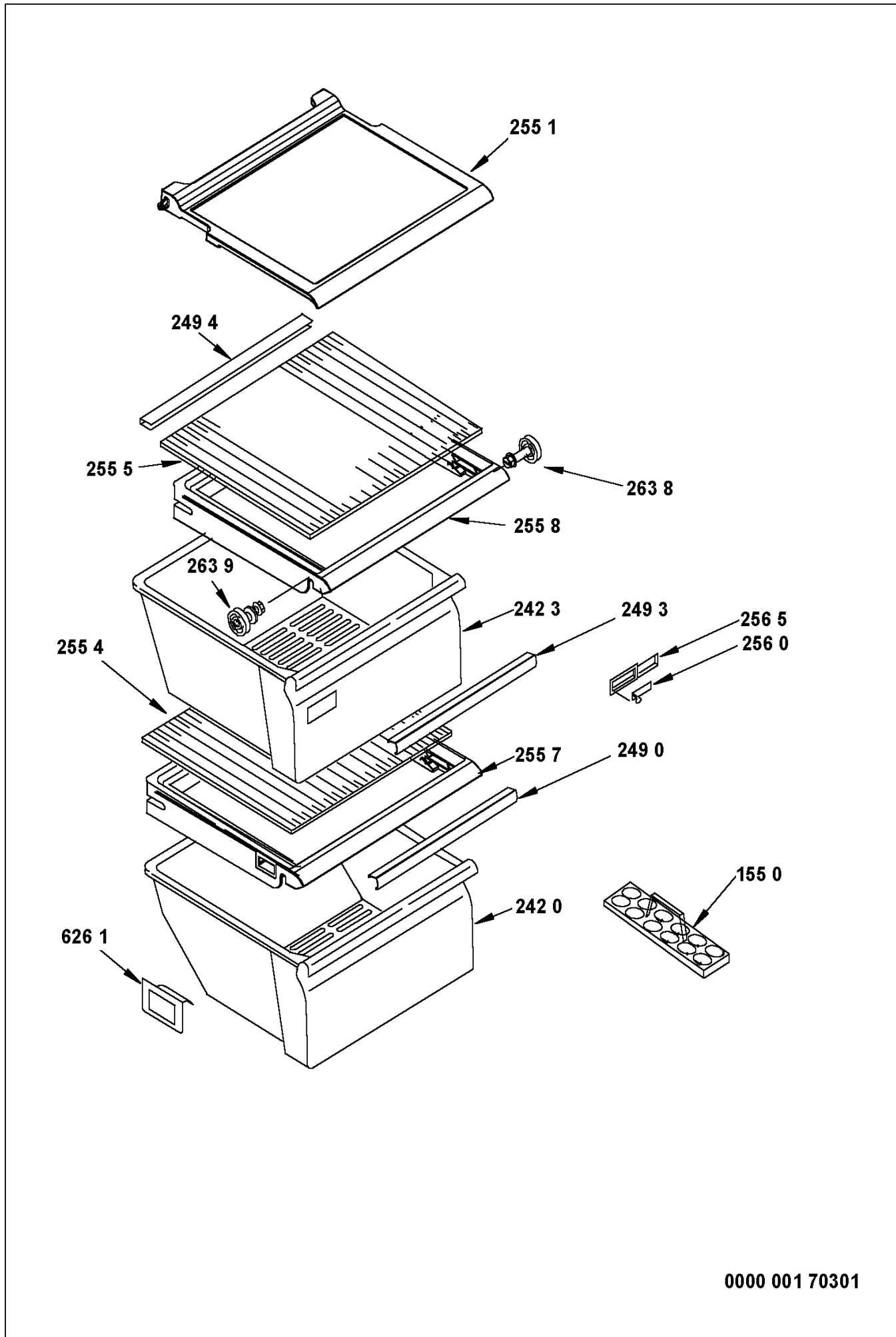
Pos. No.	12NC Code	Description
930 2	4812 492 38395	Spring dispenser
931 0	4812 492 68219	Spring
965 0	4812 462 28953	Stopper multiflow channel

Exploded view

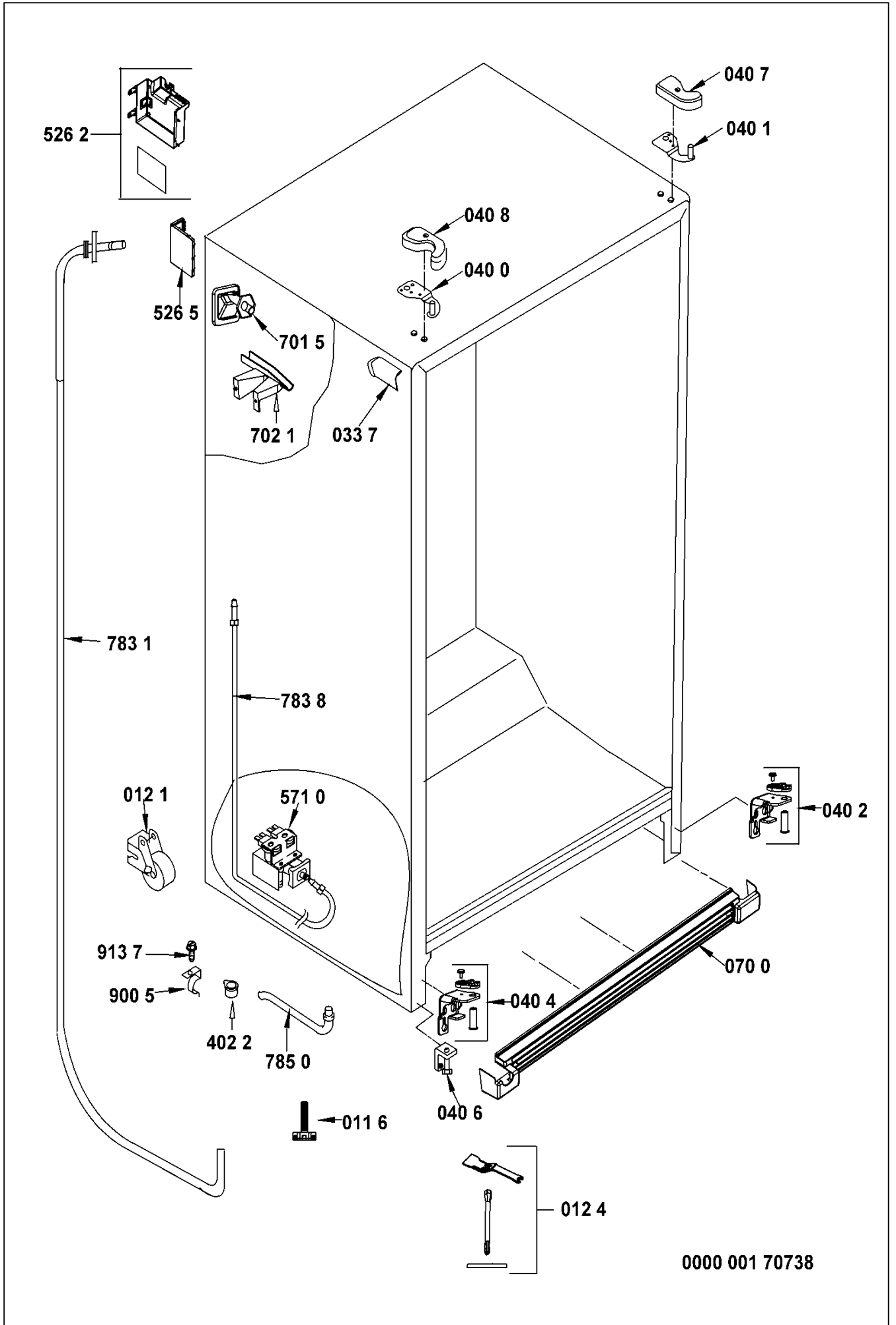
FREEZER DOOR PARTS



Exploded view



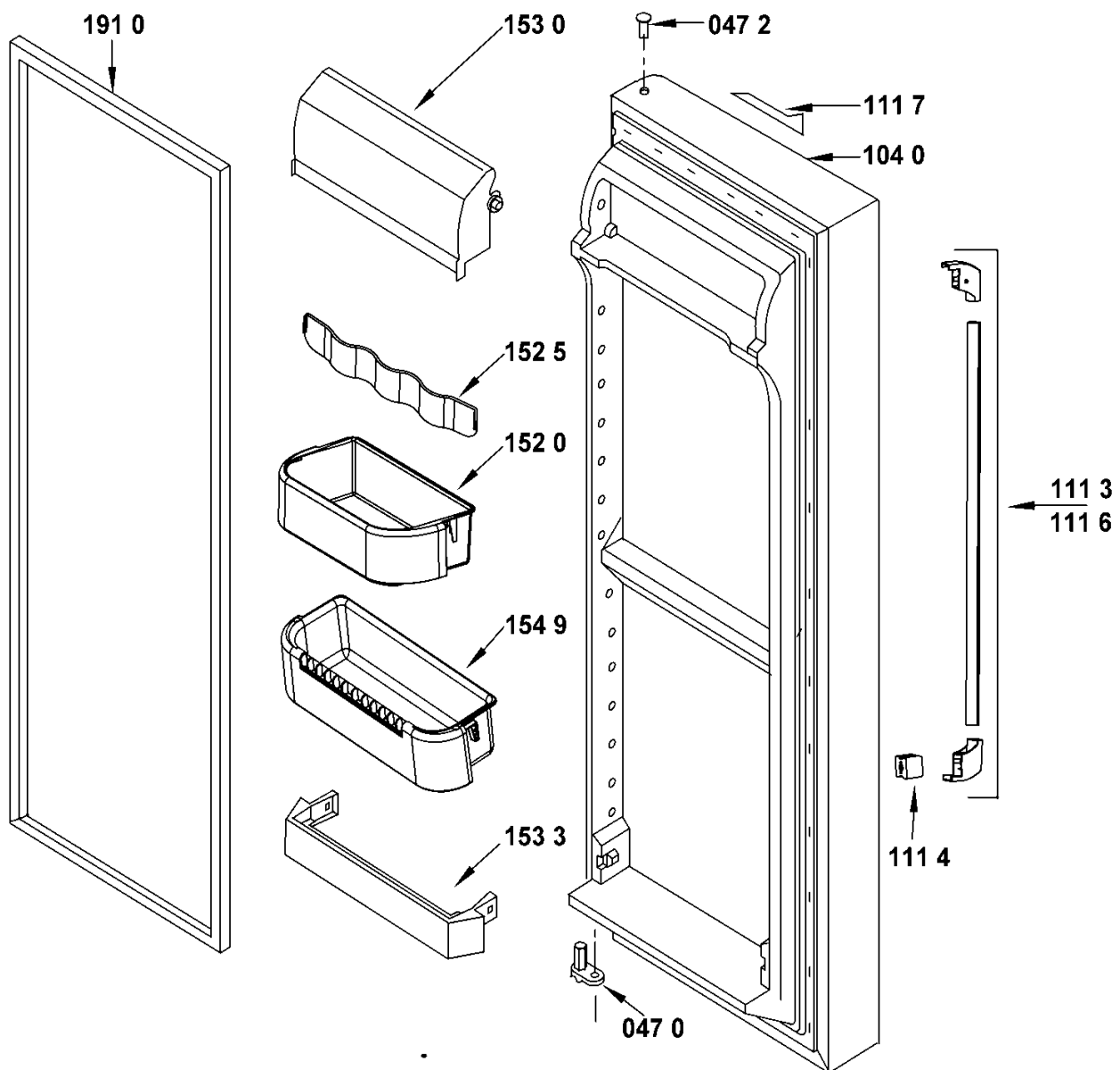
Exploded view



0000 001 70738

Exploded view

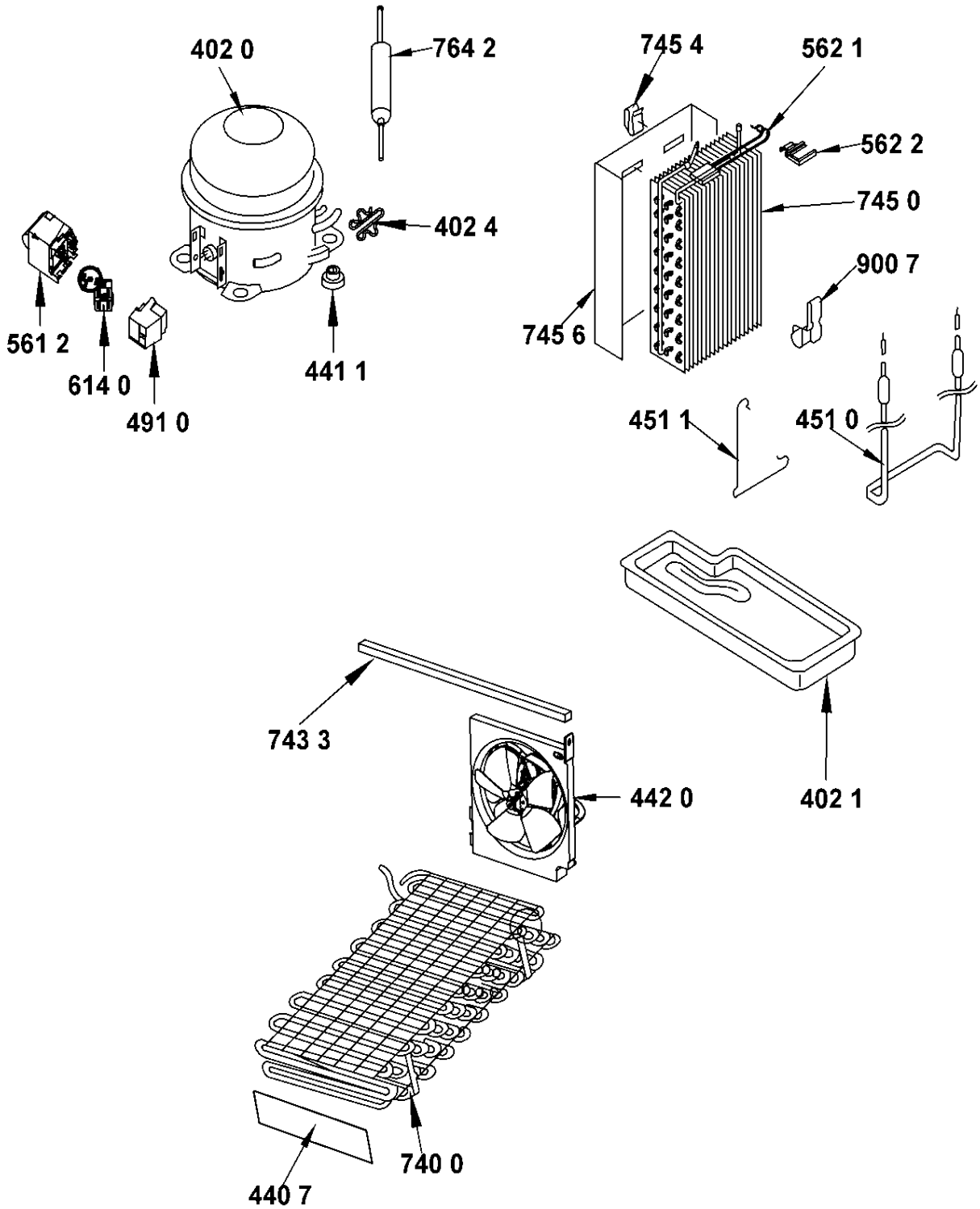
REFRIGERATOR DOOR PARTS



0000 001 70987

Exploded view

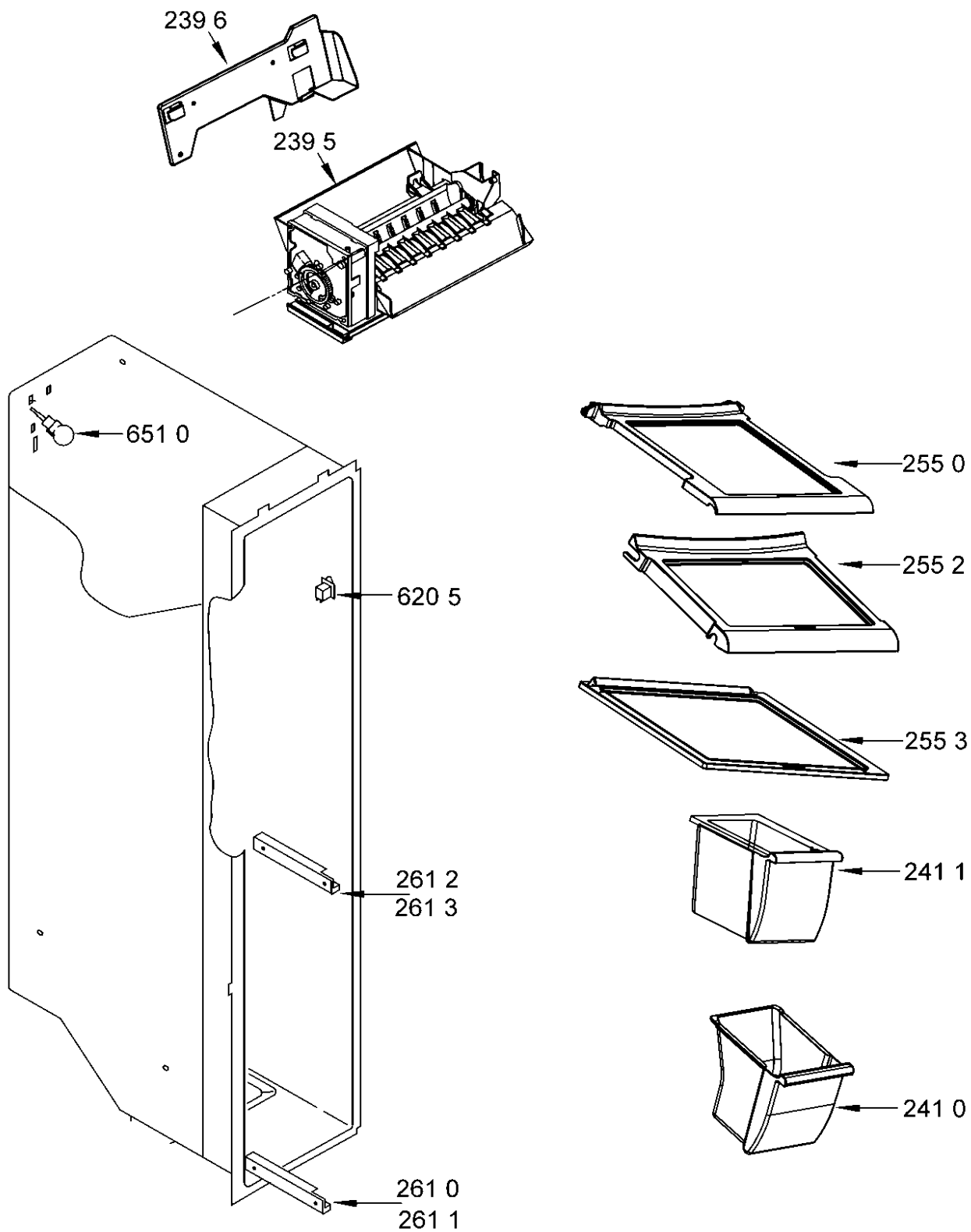
UNIT PARTS



0000 001 70921

Exploded view

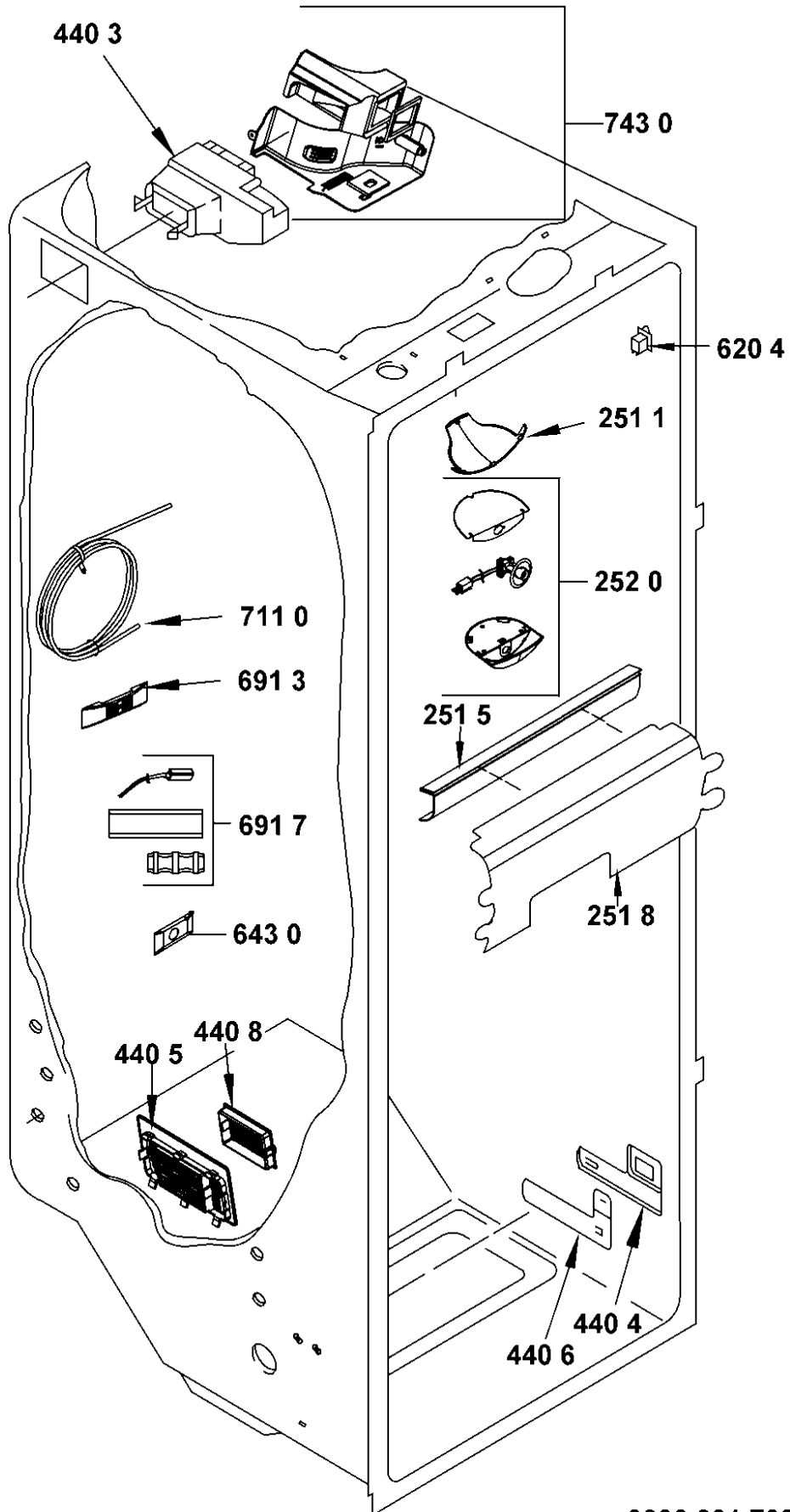
FREEZER LINER PARTS



0000 001 70935

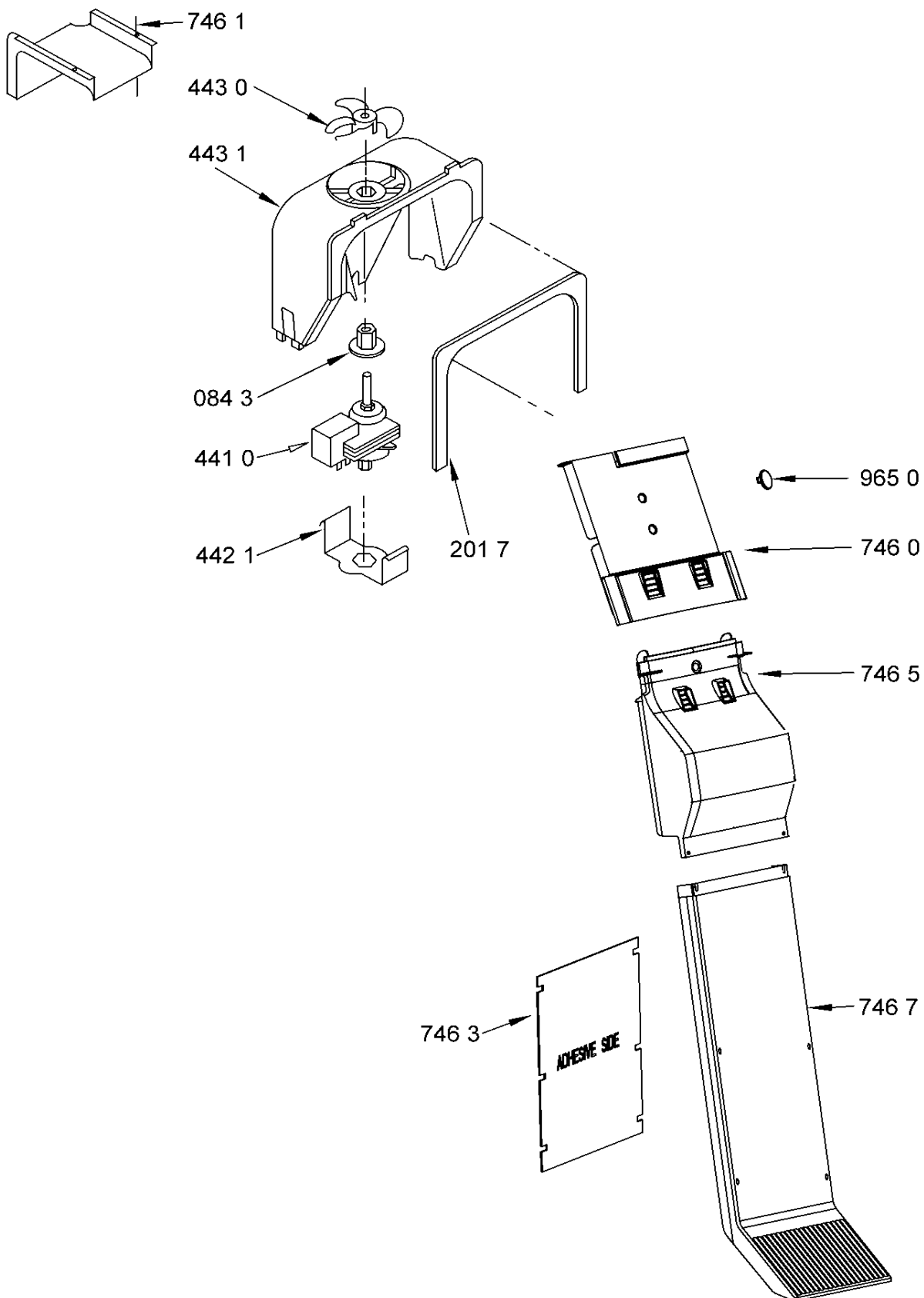
Exploded view

REFRIGERATOR LINER PARTS



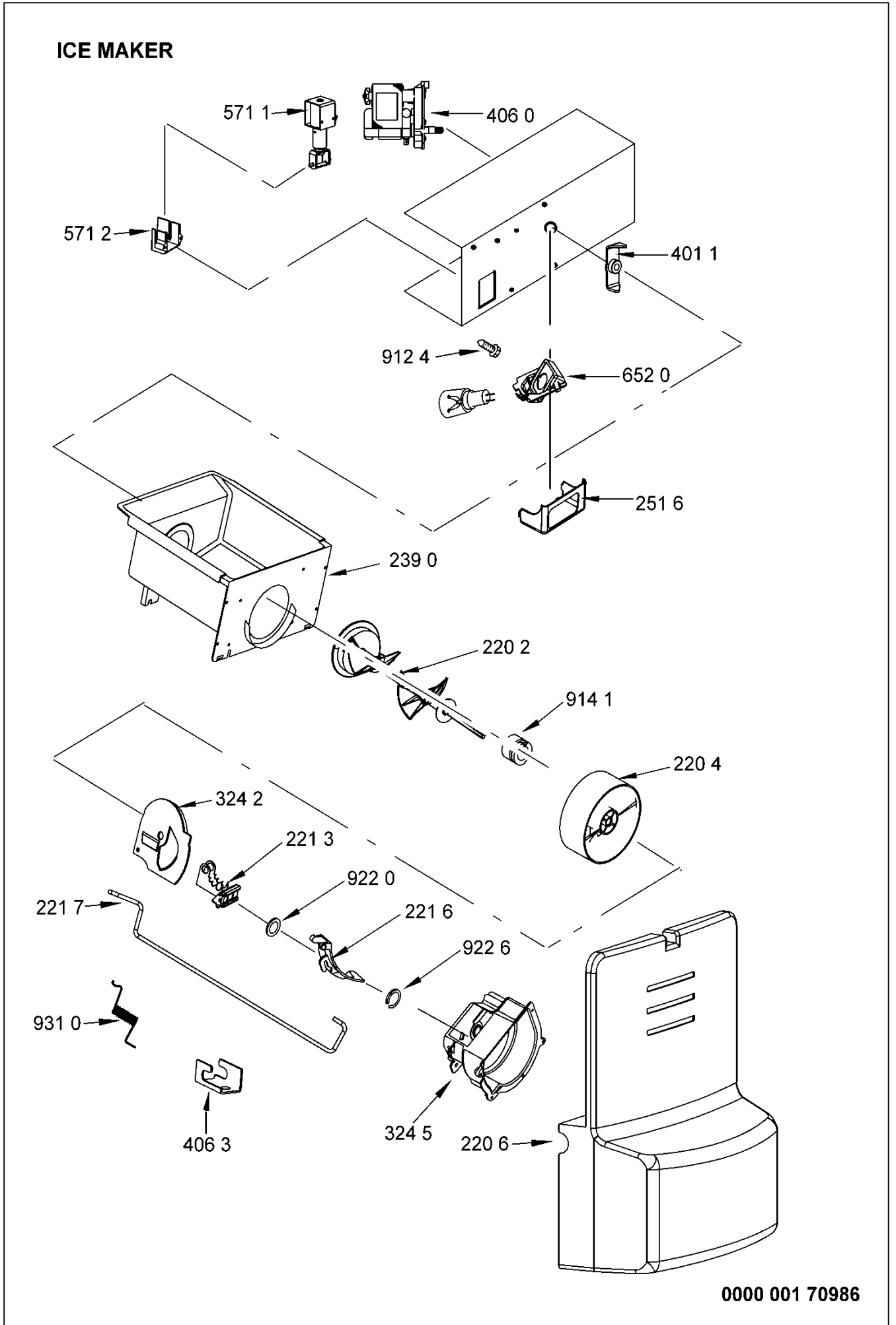
Exploded view

AIR FLOW PARTS



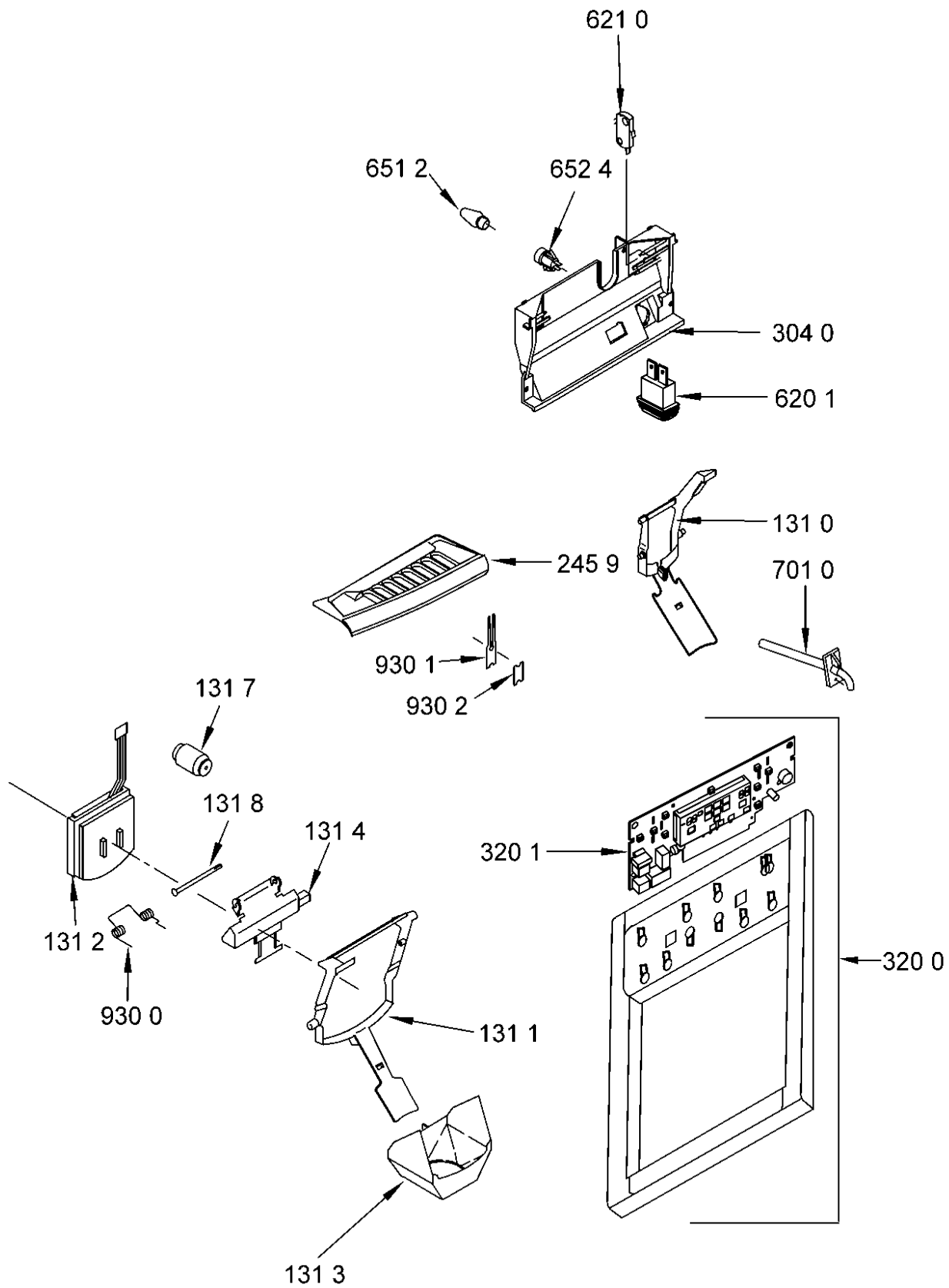
0000 001 70869

Exploded view



Exploded view

DISPENSER FRONT PARTS



0000 001 70724

Circuit and Wiring diagram

