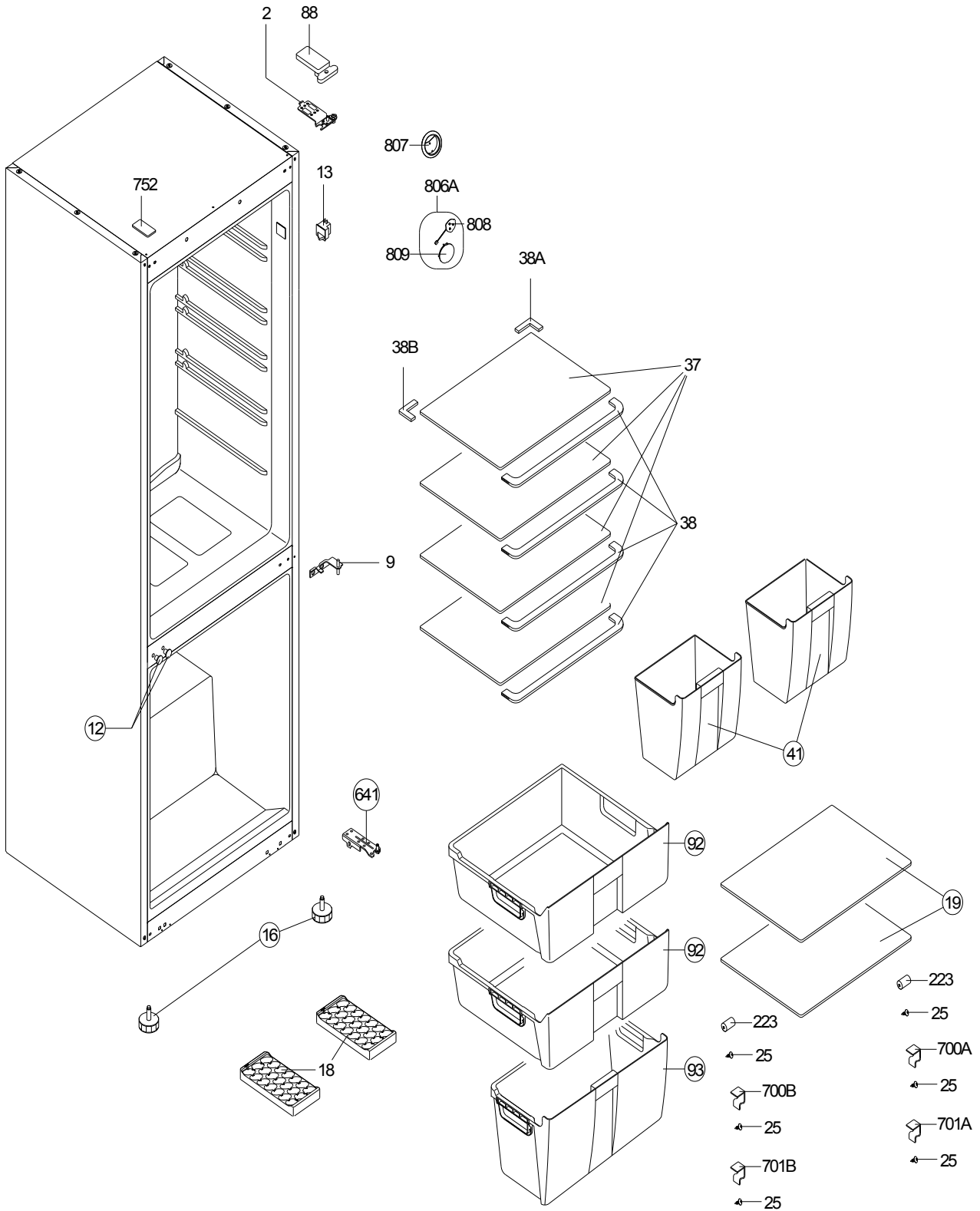


VESTEL
WHITE GOODS

NF-COMBI 3664 ELECTRONIC

INTERIOR PARTS

**CUSTOMER
SUPPORT**

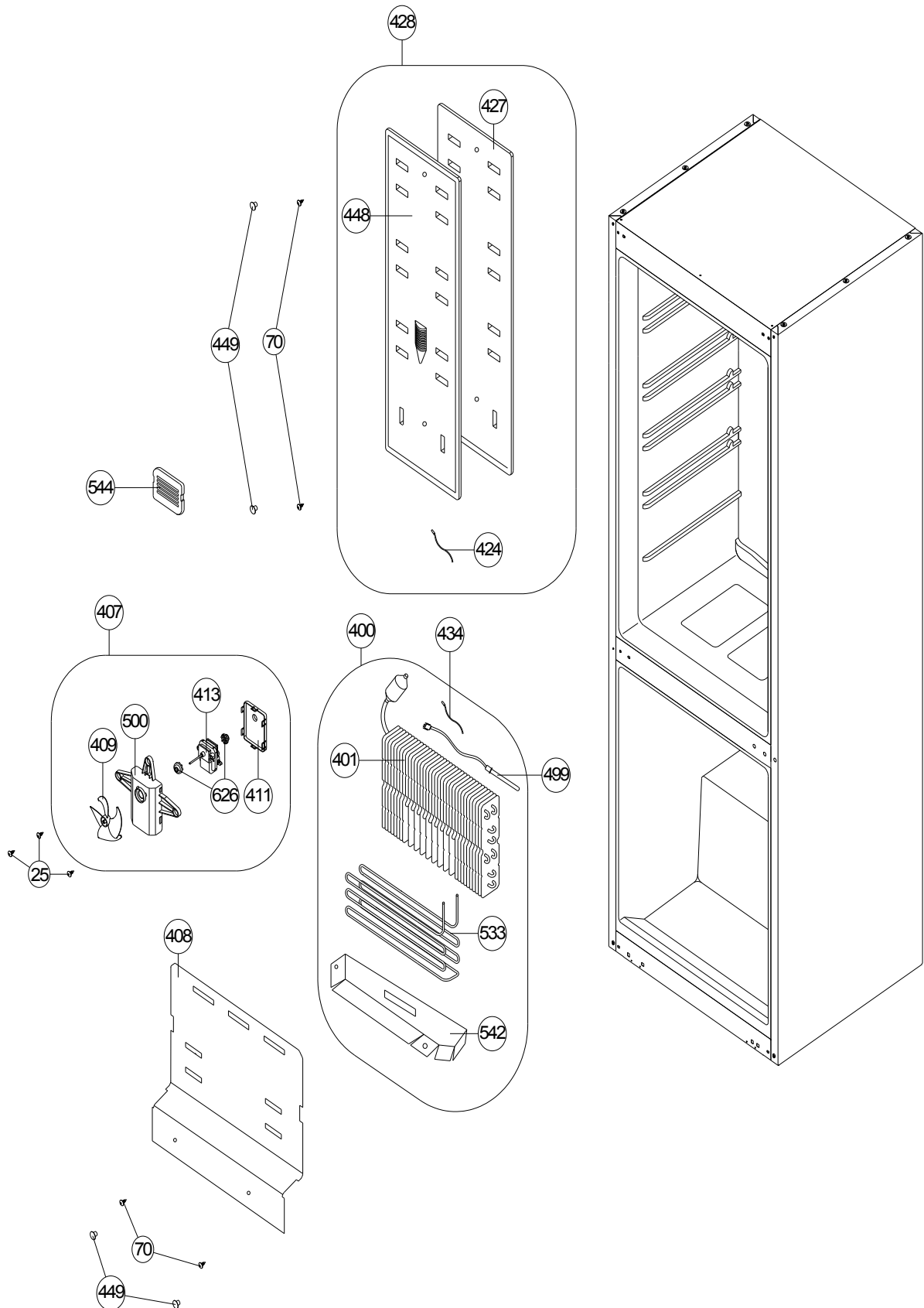


MARCH 2016

VESTEL WHITE GOODS	NF-COMBI 3664 ELECTRONIC	CUSTOMER SUPPORT
	INTERIOR PARTS LIST	

POSITION NUMBER	PART NAME
2	TOP HINGE/HC GR. (RIGHT)
9	MIDDLE HINGE/345
12	MIDDLE/HINGE SREW CAP(BIG)
13	DOOR SWITCH
16	ADJUSTABLE FOOT M8X35
18	ICE TRAY
19	F GLASS SHELF
37	R GLASS SHELF
38	R SHELF TRIM/366
38A	GLASS SHELF BACK CORNER TRIM RIGHT
38B	GLASS SHELF BACK CORNER TRIM LEFT
41	CRISPER/366
88	TOP HINGE COVER/HC
92	MIDDLE BASKET/366
93	BOTTOM BASKET/366
223	FOOT/115
641	BOTTOM HINGE/HC GR.(WITHOUT WHEEL)
700A	STOPPER UPPER/RIGHT 366
701A	STOPPER BOTTOM/RIGHT 366
700B	STOPPER UPPER/LEFT 366
701B	STOPPER BOTTOM/LEFT 366
752	TOP PANEL SOCKET COVER
806A	REF LED COVER GR/3951
807	R LED OUT COVER /485
808	LED STRIP(REF)
809	REF LED COVER/485

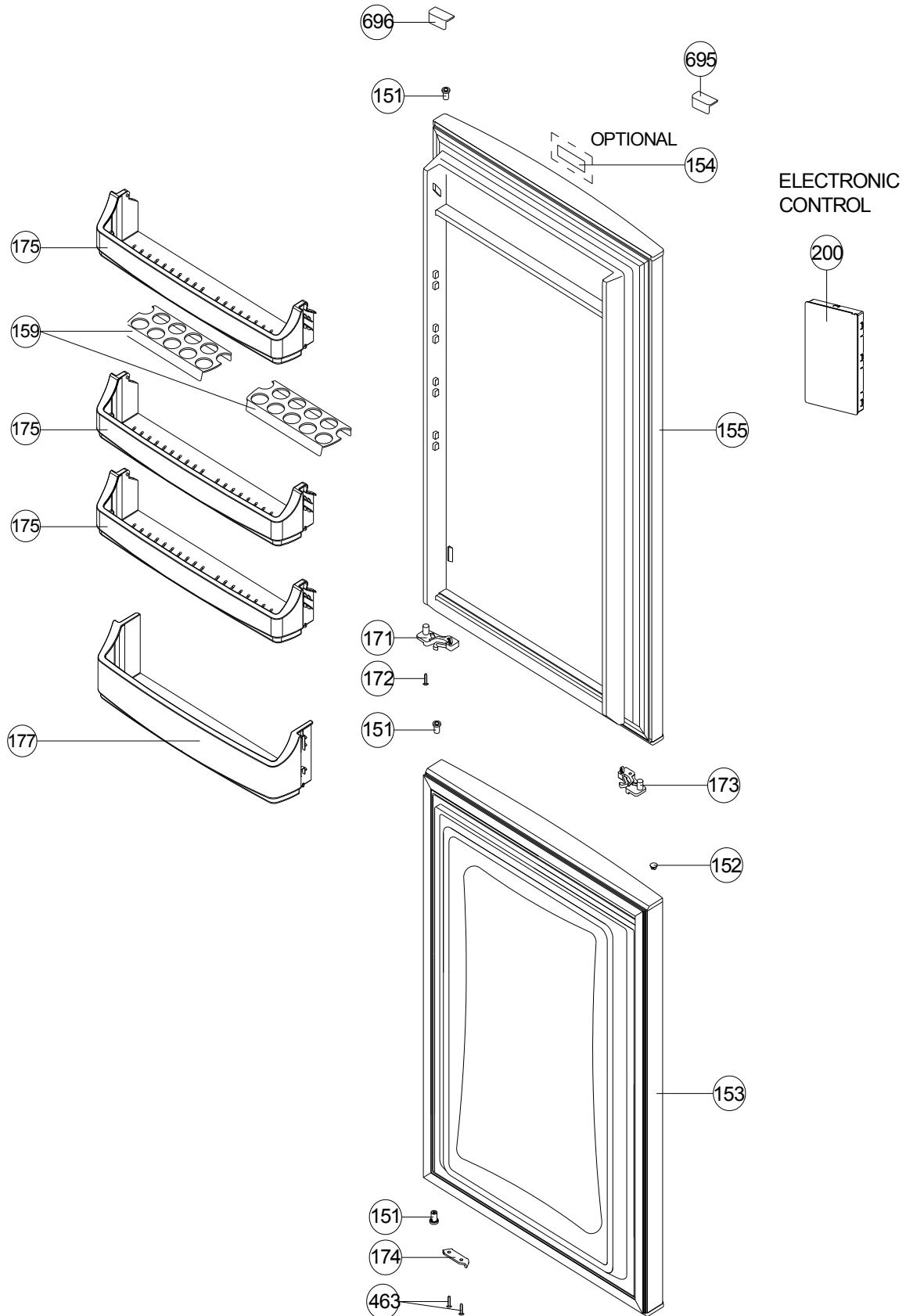
MARCH 2016



VESTEL WHITE GOODS	NF-COMBI 3664 ELECTRONIC	CUSTOMER SUPPORT
	MULTIFLOW PARTS LIST	

POSITION NUMBER	PART NAME
25	SCREW 40*13 YSB-R-C-INOX
70	SCREW KA 40*14 YSB-R-F-INOX
400	FIN EVAP ASSY/366
401	FIN EVAPORATOR/366
407	F FAN MOTOR GR
408	F MULTIFLOW GR/3664
409	PROPELLER
411	F FAN MOTOR COVER
413	EVAP FAN MOTOR
427	R MULTI FLOW INSULATION
428	R MULTI FLOW GR
424	F SENSOR
448	MULTI FLOW SRGF/366
449	R MULTIFLOW CAP/ 640
499	THERMAL FUSE ASSY
500	F FAN MOTOR BOX
533	FIN EVAP HEATER/366
542	FIN EVAPORATOR CASE/366
544	R AIRDUCKS COVER/366
626	FREEZER FAN MOTOR RUBBER

MARCH 2016



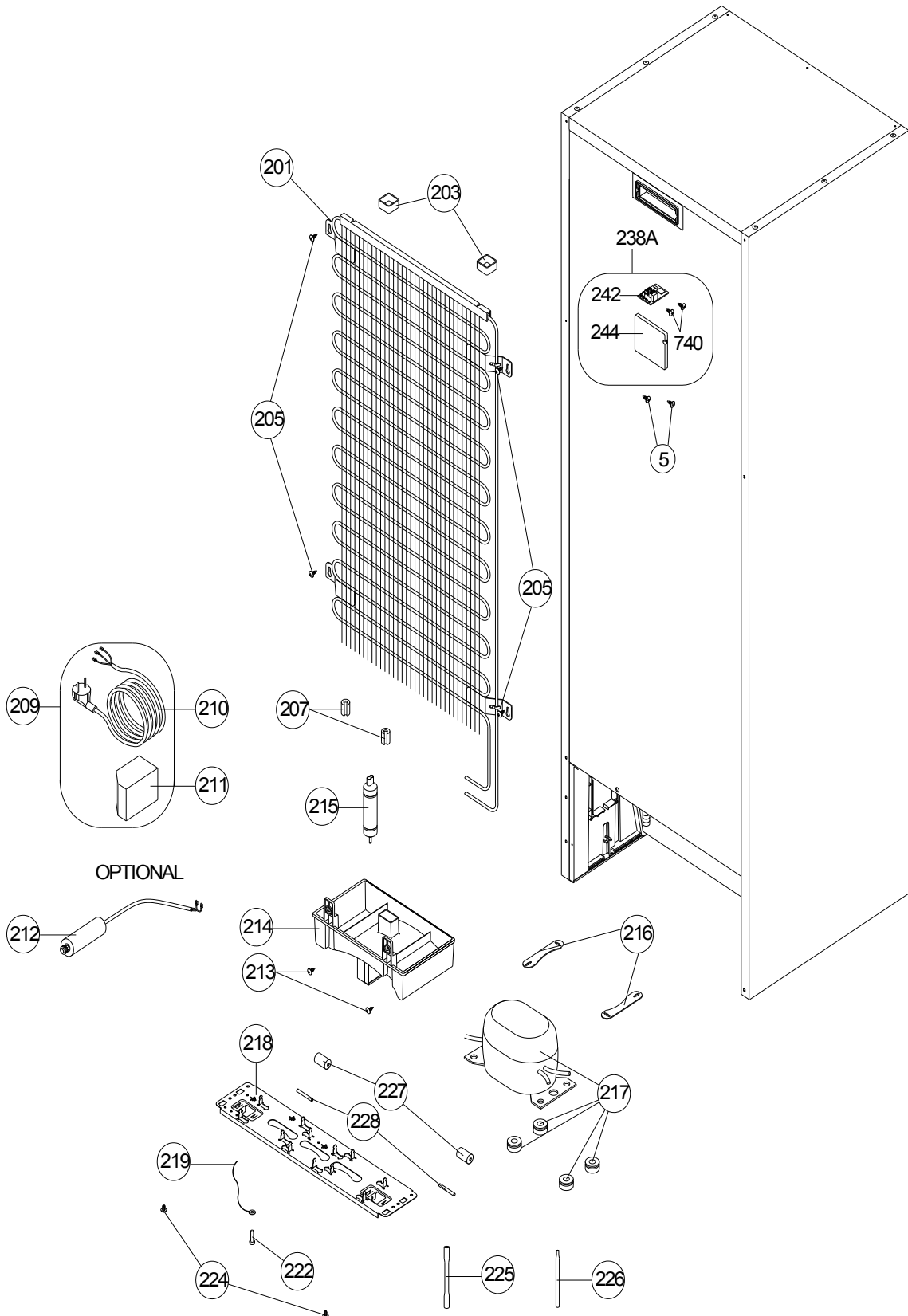
VESTEL WHITE GOODS	NF-COMBI 3664 ELECTRONIC	CUSTOMER SUPPORT
	DOOR ASSY. PARTS LIST	

POSITION NUMBER	PART NAME
151	BUSHING/345P
152	BUSHING CAP
153	F DOOR ASSY/366E-FLN
155	R DOOR ASSY/3664-FLN
159	EGG HOLDER(I+II)345
171	CATCHER RIGHT
172	SCREW KA 35*12 YSB-C
173	CATCHER LEFT
174	R BOTTOM STOPPER/HC
175	CHEESE/BUTTER SHELF/345
177	BOTTLE SHELF/345
200	DISP.PAN.GR/FLATY-366
463	SCREW TT M5*20 YHB-F
695	SOCKET COVER LEFT/HC
696	SOCKET COVER RIGHT/HC

ABBREVIATIONS :

ASSY : ASSEMBLY
 R : REFRIGERATOR
 F : FREEZER

MARCH 2016



POSITION NUMBER	PART NAME
5	SCREW KA 40*8 WN 1412 EJOT
70	SCREW KA 40*14 YSB-R-F-INOX
201	MAIN CONDANSER/345
203	SPACER
205	SCREW ST 4.8*13 YSB-T-C
207	ANTIVIBRATION (CONDENSER)
209	POWER CORD GR
210	POWER CORD
211	OVER LOAD RELAY
212	CAPACITOR <i>(OPTIONAL)</i>
213	SCREW 4.2*9.5 DIN 7981 YSB
214	EVAPORATING TRAY/345
215	DRYER (XH9,10GR)
216	COMPR. FIXING BRACKET
217	COMPRESSOR
218	COMPR. BASEMENT/345
219	GROUNDING WIRE
222	SCREW M4*16 DIN 933 ZNK
224	SCREW KA 50*14 WN 1412 EJOT
225	SERVICE TUBE
226	DRYER VACUUM TUBE
227	WHEEL
228	REAR WHEEL PIN
238A	MAINBOARD COVER GR 3664E
242	MB/BDA20-6/3664E
244	MAINBOARD COVER