


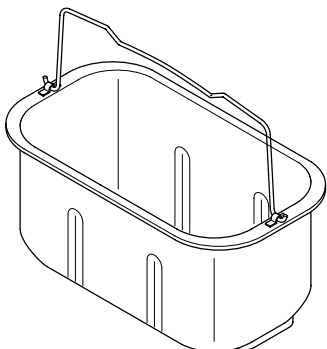
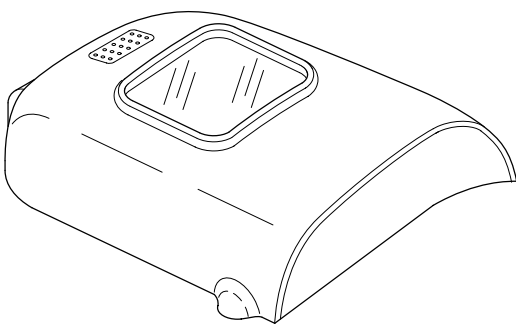
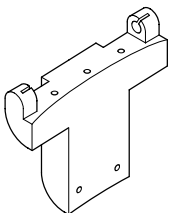
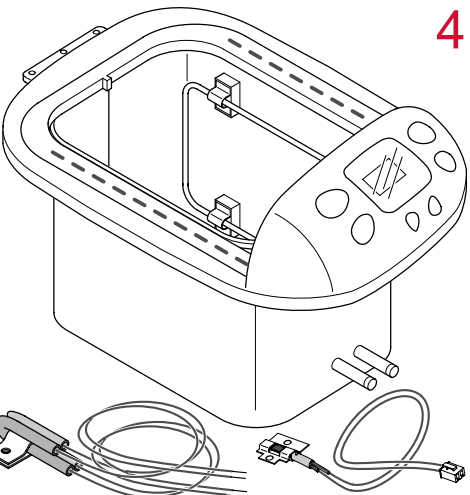
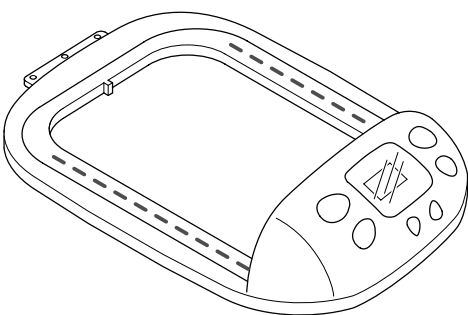
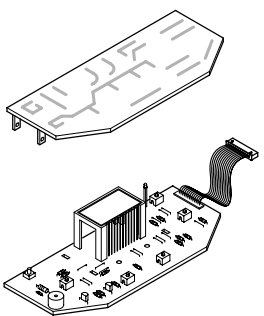
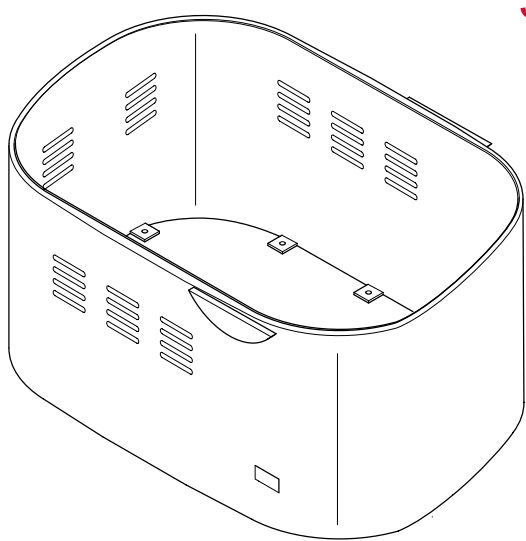
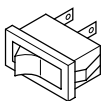
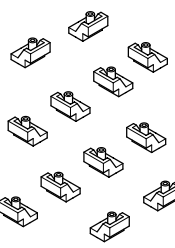
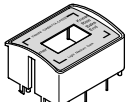
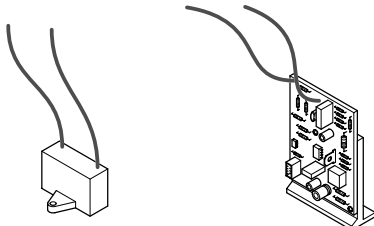
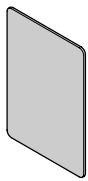



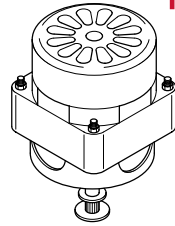
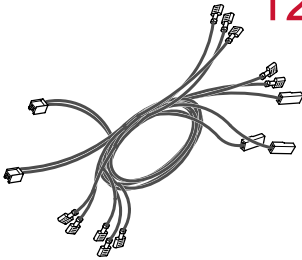
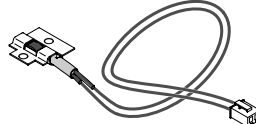
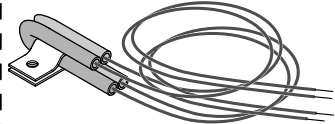
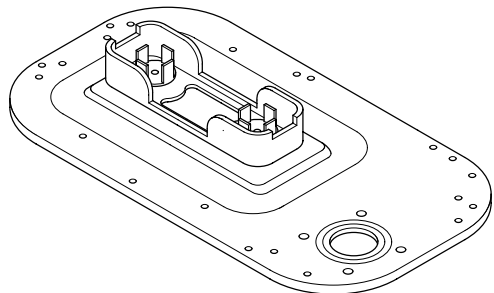
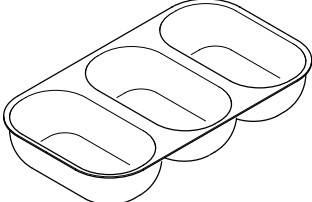
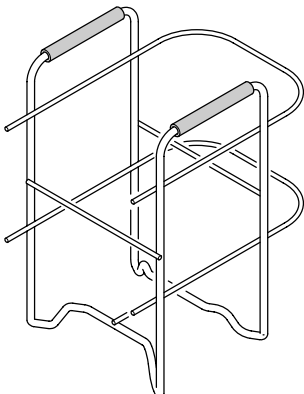
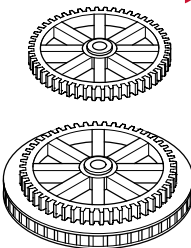
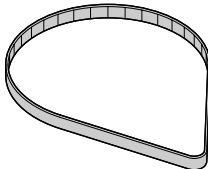
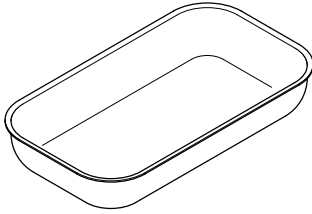
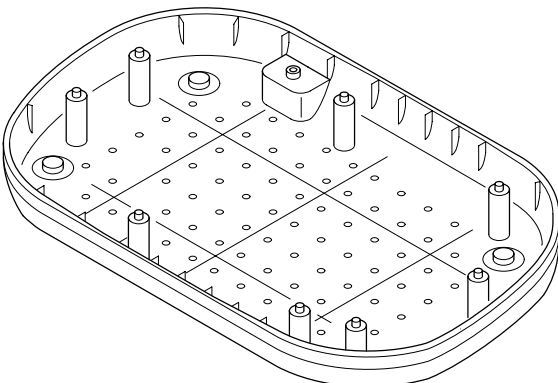
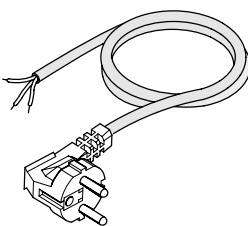
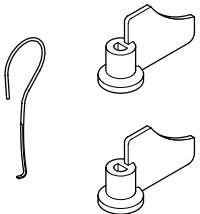
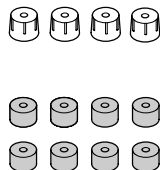






|   |  |  |  |   |  |  |  |
|---|--|--|--|---|--|--|--|
| Classe Prodotto:<br><b>COTTURA</b>  |  | Product family:<br><b>COOKING</b>  |  | Edizione Version 02<br>14/02/2014   |  | Scheda Sheet <b>DB5</b>  |  |
| Art • Code: <b>7277</b>   |  | <b>MACCHINA PER FARE IL PANE SENZA GLUTINE</b><br><b>MACHINE FOR MAKING GLUTEN-FREE BREAD</b>  |  |   |  | TYPE: <b>F7901</b>   |  |
| Art • Code: <b>7815</b>   |  | <b>MACCHINA PER FARE IL PANE SENZA GLUTINE</b><br><b>MACHINE FOR MAKING GLUTEN-FREE BREAD</b>  |  |   |  | TYPE: <b>F7901</b>   |  |
|  esploso parte 2 (pagina 2/4)<br>exploded view part 2 (page 2/4)           |  |  distinta (pagina 3/4)<br>bill of materials (page 3/4)<br><b>art. 7277</b>  |  |  distinta (pagina 4/4)<br>bill of materials (page 4/4)<br><b>art. 7815</b> |  |  |  |
|  <p style="text-align: right; color: red; font-size: 24px;"><b>5</b></p>   |  |  <p style="text-align: right; color: red; font-size: 24px;"><b>8</b></p>   |  |  <p style="text-align: right; color: red; font-size: 24px;"><b>7</b></p>   |  |  |  |
|  <p style="text-align: right; color: red; font-size: 24px;"><b>4</b></p>  |  |  <p style="text-align: right; color: red; font-size: 24px;"><b>6</b></p> |  |  <p style="text-align: right; color: red; font-size: 24px;"><b>9</b></p>  |  |  |  |
|  <p style="text-align: right; color: red; font-size: 24px;"><b>3</b></p> |  |  <p style="text-align: right; color: red; font-size: 24px;"><b>1</b></p>  |  |  <p style="text-align: right; color: red; font-size: 24px;"><b>2</b></p> |  |  <p style="text-align: right; color: red; font-size: 24px;"><b>10</b></p> |  |
|   |  |  |  |  <p style="text-align: right; color: red; font-size: 24px;"><b>11</b></p> |  |   |  |

|   |  |   |  |   |  |   |  |
|---|--|---|--|---|--|---|--|
| Classe Prodotto:<br><b>COTTURA</b>  |  | Product family:<br><b>COOKING</b>   |  | Edizione Version 02<br>14/02/2014   |  | Scheda Sheet <b>DB5</b>   |  |
| Art • Code: <b>7277</b>   |  | <b>MACCHINA PER FARE IL PANE SENZA GLUTINE</b><br><b>MACHINE FOR MAKING GLUTEN-FREE BREAD</b>   |  |   |  | TYPE: <b>F7901</b>  |  |
| Art • Code: <b>7815</b>   |  | <b>MACCHINA PER FARE IL PANE SENZA GLUTINE</b><br><b>MACHINE FOR MAKING GLUTEN-FREE BREAD</b>   |  |   |  | TYPE: <b>F7901</b>  |  |
|  esploso parte 1 (pagina 1/4)<br>exploded view part 1 (page 1/4) |  |  distinta (pagina 3/4)<br>bill of materials (page 3/4)<br><b>art. 7277</b> |  |  distinta (pagina 4/4)<br>bill of materials (page 4/4)<br><b>art. 7815</b> |  |   |  |
|  <b>15</b>   |  |  <b>12</b>   |  |  <b>13</b>  |  |  <b>14</b> |  |
|  <b>16</b>  |  |  <b>24</b>   |  |  <b>23</b>   |  |   |  |
|  <b>17</b>   |  |  <b>18</b>   |  |  <b>25</b>  |  |   |  |
|  <b>19</b>   |  |  <b>20</b>  |  |  <b>22</b>   |  |   |  |
|   |  |   |  |  <b>21</b>   |  |   |  |

| Classe Prodotto:<br><b>COTTURA</b>  |   | Product family:<br><b>COOKING</b>   | Edizione<br>Version <b>02</b><br>14/02/2014  | Scheda<br>Sheet <b>DB5</b>                                      |
|---|---|---|--|---|
| Art • Code: <b>7277</b>   |   | <b>MACCHINA PER FARE IL PANE SENZA GLUTINE</b><br><b>MACHINE FOR MAKING GLUTEN-FREE BREAD</b>     |  | TYPE: <b>F7901</b>  |
| LINK:  | esploso parte 1 (pagina 1/4)<br>exploded view part 1 (page 1/4) |   | LINK:  | esploso parte 2 (pagina 2/4)<br>exploded view part 2 (page 2/4) |
| Politica di Assistenza: <b>Riparazione</b>  |   | Assistance Policy: <b>Repair</b>  |  |   |
| <b>PARTI DI RICAMBIO • SPARE PARTS</b>  |   |   |  |   |
| POS   | CODICE / CODE   | DESCRIZIONE / DESCRIPTION   |  |   |
| <b>1</b>  | <b>DB5010</b>   | INTERRUT 7277<br>SWITCH 7277  |  |   |
| <b>2</b>  | <b>DB5020</b>   | KIT SUPPORTO 12 PZ. VITI 7277<br>SCREW HOLDER 12 PCS 7277   |  |   |
| <b>3</b>  | <b>DB5030</b>   | CARCASSA METALLO CON PROT CALORE 7277<br>METAL HOUSING WITH HEATING PROTECTION COVER 7277         |  |   |
| <b>4</b>  | <b>DB5040</b>   | ASSIEME RESISTENZA CON SUPP 7277<br>HEATER WITH SUPPORT 7277                                      |  |   |
| <b>5</b>  | <b>DB5050</b>   | CASSETTO PORTA PANE 7277<br>BREAD BOX WITH HANDLE 7277  |  |   |
| <b>6</b>  | <b>DB5060</b>   | SCocca SUP CON CRUSCOTTO COMANDI 7277<br>UPPER HOUSING WITH DASHBOARD 7277                        |  |   |
| <b>7</b>  | <b>DB5070</b>   | CERNIERA APERTURA SPORTELLINO 7277<br>HINGE FOR TOP COVER 7277                                    |  |   |
| <b>8</b>  | <b>DB5080</b>   | COPERCHIO SUP CON FINESTRA 7277<br>TOP COVER WITH WINDOW 7277                                     |  |   |
| <b>9</b>  | <b>DB5090</b>   | PCB SELEZIONE PROGRAMMI E PCB CON DISPLAY LED 7277<br>PCB SELECTION PROGRAM WITH LED DISPLAY 7277 |  |   |
| <b>10</b>   | <b>DB5110</b>   | KIT SUPPORTI SCHEDE 7277<br>PCB HOLDERS 7277  |  |   |
| <b>11</b>   | <b>DB5120</b>   | PCB MOTORE 7277<br>PCB MOTOR 7277   |  |   |
| <b>12</b>   | <b>DB5130</b>   | CABL CPL 7277<br>CABLING COMPLETE 7277  |  |   |
| <b>13</b>   | <b>DB5150</b>   | KIT NTC 7277<br>NTC KIT 7277  |  |   |
| <b>14</b>   | <b>DB5140</b>   | KIT TERMOFUS 7277<br>THERMALFUSE KIT 7277   |  |   |
| <b>15</b>   | <b>DB5160</b>   | MOTORE CPL 7277<br>COMPLETE MOTOR 7277  |  |   |
| <b>16</b>   | <b>DB5170</b>   | BASE METALLICA CON ALBERI 7277<br>METAL BOTTON BASE WITH SHAFT 7277                               |  |   |
| <b>17</b>   | <b>DB5180</b>   | KIT INGRANAGGI 7277<br>GEAR KIT 7277  |  |   |
| <b>18</b>   | <b>DB5190</b>   | CINGHIA TRASMISSIONE 7277<br>TRANSMISSION BELT 7277   |  |   |
| <b>19</b>   | <b>DB5200</b>   | BASE INFERIORE IN PLASTICA 7277<br>PLASTIC BOTTON HOUSING 7277                                    |  |   |
| <b>20</b>   | <b>DB5210</b>   | CAVO ALIMENTAZ 7277<br>POWER CORD 7277  |  |   |
| <b>21</b>   | <b>DB5220</b>   | KIT 4 GOMMINI E 8 BUSSOLE 7277<br>RUBBER FEET 4 PCS AND SLEEVE 8 PCS 7277                         |  |   |
| <b>22</b>   | <b>DB5230</b>   | KIT LAME IMPASTATRICI 7277<br>KNEADING BLADE KIT 7277   |  |   |
| <b>23</b>   | <b>DB5290</b>   | SUPPORTO STAMPI 7277<br>BREAD TRAY 7277   |  |   |
| <b>24</b>   | <b>DB5300</b>   | STAMPO PER PANINI 7277<br>SMALL BREAD CONTAINER 7277  |  |   |
| <b>25</b>   | <b>DB5310</b>   | STAMPO PER CIABATTA 7277<br>CIABATTA BREAD CONTAINER 7277   |  |   |
|   | <b>DB5280</b>   | RICETTARIO 7277<br>RECIPE BOOK 7277   |  |   |
|   | <b>DB5250</b>   | ISTR PER L'USO 7277<br>INSTRUCTIONS FOR USE 7277  |  |   |
| *   | <b>F85140</b>   | GAR INTERNAZ<br>INTERNATIONAL GARANTEE  |  |   |
|   | <b>DB5260</b>   | SCATOLA CONF 7277<br>GIFT BOX 7277  |  |   |
|   | <b>DB5270</b>   | MASTER 1 PZ 7277<br>MASTER CARTON 1 PCS 7277  |  |   |

NOTE: \* componenti applicati anche su altri prodotti TENACTA. • \* we have already used these components for other TENACTA's sundries.

| Classe Prodotto:<br><b>COTTURA</b>  |   | Product family:<br><b>COOKING</b>   | Edizione<br>Version <b>02</b><br>14/02/2014  | Scheda<br>Sheet <b>DB5</b>                                      |
|---|---|---|--|---|
| Art • Code: <b>7815</b>   |   | <b>MACCHINA PER FARE IL PANE SENZA GLUTINE</b><br><b>MACHINE FOR MAKING GLUTEN-FREE BREAD</b>     |  | TYPE: <b>F7901</b>  |
| LINK:  | esploso parte 1 (pagina 1/4)<br>exploded view part 1 (page 1/4) |   | LINK:  | esploso parte 2 (pagina 2/4)<br>exploded view part 2 (page 2/4) |
| Politica di Assistenza: <b>Riparazione</b>  |   | Assistance Policy: <b>Repair</b>  |  |   |
| <b>PARTI DI RICAMBIO • SPARE PARTS</b>  |   |   |  |   |
| POS   | CODICE / CODE   | DESCRIZIONE / DESCRIPTION   |  |   |
| *1  | <b>DB5010</b>   | INTERRUT 7277<br>SWITCH 7277  |  |   |
| *2  | <b>DB5020</b>   | KIT SUPPORTO 12 PZ. VITI 7277<br>SCREW HOLDER 12 PCS 7277   |  |   |
| *3  | <b>DB5030</b>   | CARCASSA METALLO CON PROT CALORE 7277<br>METAL HOUSING WITH HEATING PROTECTION COVER 7277         |  |   |
| 4   | <b>DB5400</b>   | ASSIEME RESISTENZA CON SUPP 7815<br>HEATER WITH SUPPORT 7815                                      |  |   |
| *5  | <b>DB5050</b>   | CASSETTO PORTA PANE 7277<br>BREAD BOX WITH HANDLE 7277  |  |   |
| 6   | <b>DB5320</b>   | SCocca SUP CON CRUSCOTTO COMANDI 7815<br>UPPER HOUSING WITH DASHBOARD 7815                        |  |   |
| *7  | <b>DB5070</b>   | CERNIERA APERTURA SPORTELLINO 7277<br>HINGE FOR TOP COVER 7277                                    |  |   |
| 8   | <b>DB5410</b>   | COPERCHIO SUP CON FINESTRA 7815<br>TOP COVER WITH WINDOW 7815                                     |  |   |
| *9  | <b>DB5090</b>   | PCB SELEZIONE PROGRAMMI E PCB CON DISPLAY LED 7277<br>PCB SELECTION PROGRAM WITH LED DISPLAY 7277 |  |   |
| *10   | <b>DB5110</b>   | KIT SUPPORTI SCHEDE 7277<br>PCB HOLDERS 7277  |  |   |
| *11   | <b>DB5120</b>   | PCB MOTORE 7277<br>PCB MOTOR 7277   |  |   |
| *12   | <b>DB5130</b>   | CABL CPL 7277<br>CABLING COMPLETE 7277  |  |   |
| *13   | <b>DB5150</b>   | KIT NTC 7277<br>NTC KIT 7277  |  |   |
| *14   | <b>DB5140</b>   | KIT TERMOFUS 7277<br>THERMALFUSE KIT 7277   |  |   |
| *15   | <b>DB5160</b>   | MOTORE CPL 7277<br>COMPLETE MOTOR 7277  |  |   |
| *16   | <b>DB5170</b>   | BASE METALLICA CON ALBERI 7277<br>METAL BOTTON BASE WITH SHAFT 7277                               |  |   |
| *17   | <b>DB5180</b>   | KIT INGRANAGGI 7277<br>GEAR KIT 7277  |  |   |
| *18   | <b>DB5190</b>   | CINGHIA TRASMISSIONE 7277<br>TRANSMISSION BELT 7277   |  |   |
| *19   | <b>DB5200</b>   | BASE INFERIORE IN PLASTICA 7277<br>PLASTIC BOTTON HOUSING 7277                                    |  |   |
| *20   | <b>DB5210</b>   | CAVO ALIMENTAZ 7277<br>POWER CORD 7277  |  |   |
| *21   | <b>DB5220</b>   | KIT 4 GOMMINI E 8 BUSSOLE 7277<br>RUBBER FEET 4 PCS AND SLEEVE 8 PCS 7277                         |  |   |
| *22   | <b>DB5230</b>   | KIT LAME IMPASTATRICI 7277<br>KNEADING BLADE KIT 7277   |  |   |
| 23  | <b>DB5330</b>   | SUPPORTO STAMPI 7815<br>BREAD TRAY 7815   |  |   |
| 24  | <b>DB5340</b>   | STAMPO PER PANINI 7815<br>SMALL BREAD CONTAINER 7815  |  |   |
| 25  | <b>DB5350</b>   | STAMPO PER CIABATTA 7815<br>CIABATTA BREAD CONTAINER 7815   |  |   |
|   | <b>DB5360</b>   | RICETTARIO 7815<br>RECIPE BOOK 7815   |  |   |
|   | <b>DB5370</b>   | ISTR PER L'USO 7815<br>INSTRUCTIONS FOR USE 7815  |  |   |
| *   | <b>F85140</b>   | GAR INTERNAZ<br>INTERNATIONAL GARANTEE  |  |   |
|   | <b>DB5380</b>   | SCATOLA CONF 7815<br>GIFT BOX 7815  |  |   |
|   | <b>DB5390</b>   | MASTER 1 PZ 7815<br>MASTER CARTON 1 PCS 7815  |  |   |

NOTE: \* componenti applicati anche su altri prodotti TENACTA. • \* we have already used these components for other TENACTA's sundries.