

PARTS LIST

[XV-N50BK,XV-N55SL]

- * All printed circuit boards and its assemblies are not available as service parts.
 * (x_) in a description column shows the number of the used part.

Area Suffix (XV-N50BK)

J ----- U.S.A.
 C ----- Canada

Area Suffix (XV-N55SL)

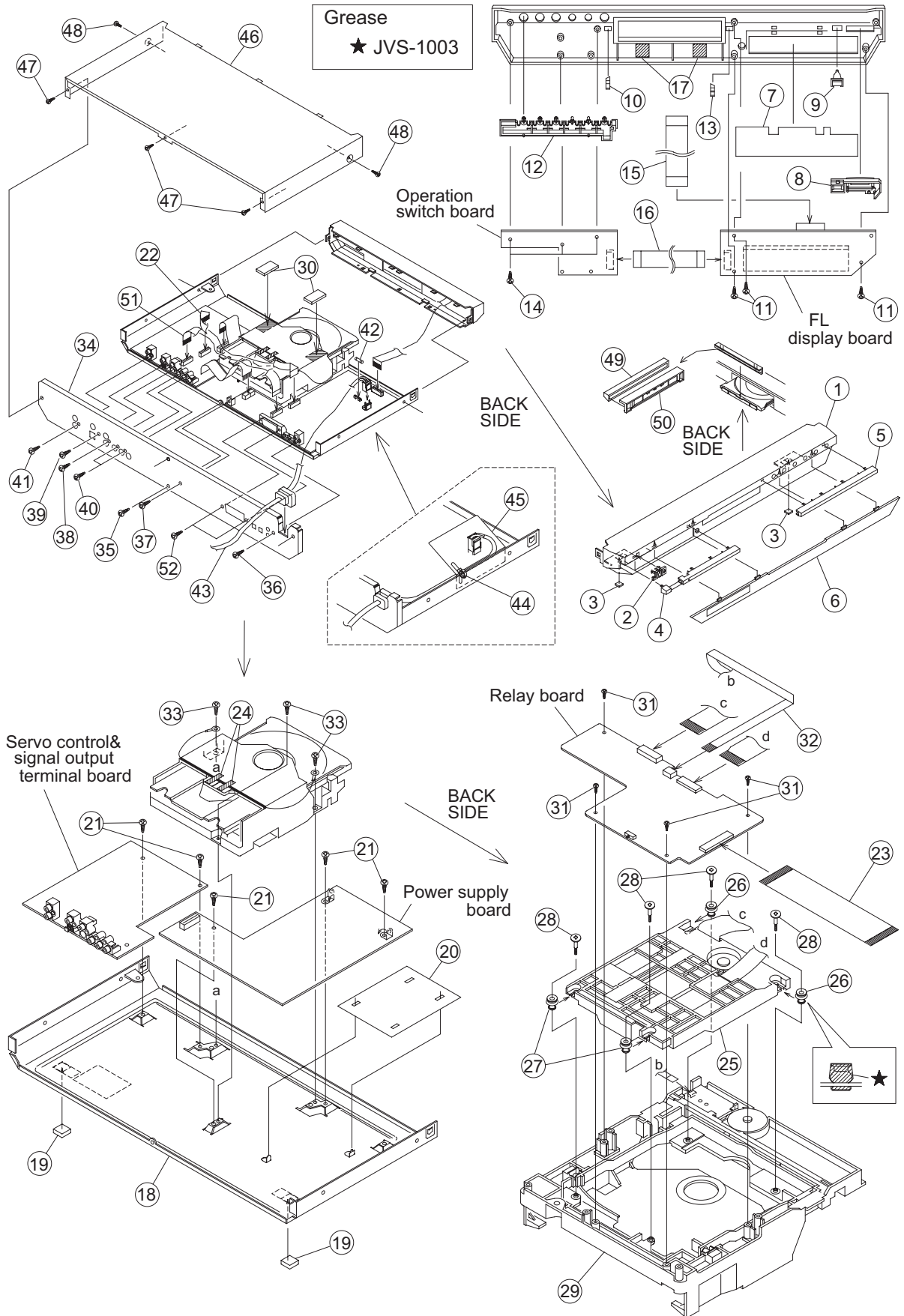
J ----- U.S.A.
 C ----- Canada
 B ----- U.K.
 E ----- Continental Europe
 EN ----- Northern Europe
 EV ----- Eastern Europe
 EE ----- Russian Federation
 UF ----- China

- Contents -

Exploded view of general assembly and parts list	3-2
DVD Traverse mechanism assembly and parts list	3-4
DVD Loading mechanism assembly and parts list	3-6
Electrical parts list	3-8
Packing materials and accessories parts list	3-14

EXPLODED VIEW OF GENERAL ASSEMBLY AND PARTS LIST

Block No.M1MM



GENERAL ASSEMBLY

Block No. [M][1][M][M]

△ Symbol No.	Part No.	Part Name	Description	Local
1	GN10044-001A	FRONT PANEL		50C,50J
1	GN10044-005A	FRONT PANEL		only XV-N55SL for Europe
1	GN10044-003A	FRONT PANEL		55C,55J
1	GN10044-012A	FRONT PANEL		55UF
2	GN40020-001A	JVC MARK		50C,50J
2	GN40020-002A	JVC MARK		only XV-N55SL
3	E75896-002	FELT SPACER	(x2)	
4	GN20054-001A	ORNAMENT(L)		50C,50J
4	GN20054-002A	ORNAMENT(L)		only XV-N55SL
5	GN20055-001A	ORNAMENT(R)		50C,50J
5	GN20055-002A	ORNAMENT(R)		only XV-N55SL
6	GN20056-004A	WINDOW SCREEN		50C,50J
6	GN20056-006A	WINDOW SCREEN		only XV-N55SL for Europe
6	GN20056-005A	WINDOW SCREEN		55C,55J
6	GN20056-007A	WINDOW SCREEN		55UF
7	GN30059-002A	FL SCREEN		50C,50J
7	GN30059-004A	FL SCREEN		only XV-N55SL
8	GN20058-001A	PUSH BUTTON	BK POWER	50C,50J
8	GN20058-002A	PUSH BUTTON	SL POWER	only XV-N55SL
9	GN30057-001A	INDICATOR		
10	GN30058-001A	LED LENS		
11	QYSBSF2608Z	TAPPING SCREW	POWER SW.CB.(x3)	
12	GN20059-003A	PUSH BUTTON	BK PLAY	50C,50J
12	GN20059-004A	PUSH BUTTON	SL PLAY	only XV-N55SL
13	GN30058-002A	LED LENS		
14	QYSBSF2608Z	TAPPING SCREW	PLAY SW.CB.(x3)	
15	QUQ412-1410CJ	FFC WIRE		
16	QUQ110-1116CJ	FFC WIRE		
17	E3400-431	SPACER	(x2)	
18	GN10045-002A	CHASSIS BASE		50C,50J
18	GN10045-001A	CHASSIS BASE		only XV-N55SL
19	E75896-002	FELT SPACER	(x2)	
20	GN40037-001A	PROTECT SHEET		
21	QYSBSGG3008E	TAPPING SCREW	MAIN CB+CHASSIS(x5)	
22	QUQ412-1320CJ	FFC WIRE		
23	QUQ605-5008AF	FFC WIRE		
24	LE30001-031A	SPACER	(x2)	only ver.J,C
25	-----	DVD TRAVERSE MECHA		
26	LE40900-001A	INSULATOR	(x2)	
27	LE40900-002A	INSULATOR	(x2)	
28	LE40901-001A	S.SCREW	FOR INSULATOR(x4)	
29	-----	DVD LOADER MECH		
30	GN30006-019A	SPACER	(x2)	
31	QYSDSF2608Z	SCREW	FOR CONNECT CB(x4)	
32	QUQ210-0518BJ	FFC WIRE		
33	QYSBSG3008Z	TAPPING SCREW	MECHA+CHASSIS(x3)	
34	GN20064-018A	REAR PANEL		50C,50J
34	GN20064-021A	REAR PANEL		55EE
34	GN20064-020A	REAR PANEL		55B,55E,55EN,55EV
34	GN20064-019A	REAR PANEL		55C,55J
34	GN20064-035A	REAR PANEL		55UF
35	QYSBSGY3008M	SPECIAL SCREW	REAR+CHASSIS	
36	QYSBSGY3008M	SPECIAL SCREW	OPT/COAXIAL	
37	QYSBSGY3008M	SPECIAL SCREW	AUDIO OUT	
38	QYSBSGY3008M	SPECIAL SCREW	VIDEO OUT	
39	QYSBSGY3008M	SPECIAL SCREW	COMPU LINK	
40	QYSBSGY3008M	SPECIAL SCREW	COMPONENT(x2)	only ver.J,C,UF
41	QYSBSGY3008M	SPECIAL SCREW	BKT	
△ 42	QMF51E2-1R6-J1	FUSE	1.6A AC250V	except XV-N55SL for ver.J,C
△ 42	QMF51U1-1R6-J8	FUSE	1.6A AC125V	only ver.J,C
△ 43	QMPN230-200-JC	POWER CORD(EK)	2m BLACK	55B
△ 43	QMPK280-200-JN	POWER CORD(EU)	2m BLACK	55E,55EE,55EN,55EV
△ 43	QMPD450-200-JN	POWER CORD(US/CA)	2m BLACK	only ver.J,C
△ 43	QMPR470-200-JN	POWER CORD	2m BLACK	55UF
44	QZW0004-001	WIRE CLAMP		
45	GN30073-001A	PROTECT SHEET(T		
46	GN20063-001A/S/	METAL COVER		50C,50J
46	GN20063-002A/S/	METAL COVER		only XV-N55SL
47	QYSBSGG3008E	TAPPING SCREW	REAR(x3)	
48	QYSDSG3008M	SCREW	BK SIDE(x2)	50C,50J
48	QYSDSG3008N	TAPPING SCREW	SL SIDE(x2)	only XV-N55SL
49	GN20062-004A	LENS		50C,50J
49	GN20062-005A	LENS		only XV-N55SL
50	GN20060-001A	FITTING BASE		50C,50J
50	GN20060-002A	FITTING BASE		only XV-N55SL
51	QUQ412-1322CJ	FFC WIRE		only XV-N55SL for Europe
52	QYSBSGY3008M	SPECIAL SCREW	21P OUT(x2)	only XV-N55SL for Europe

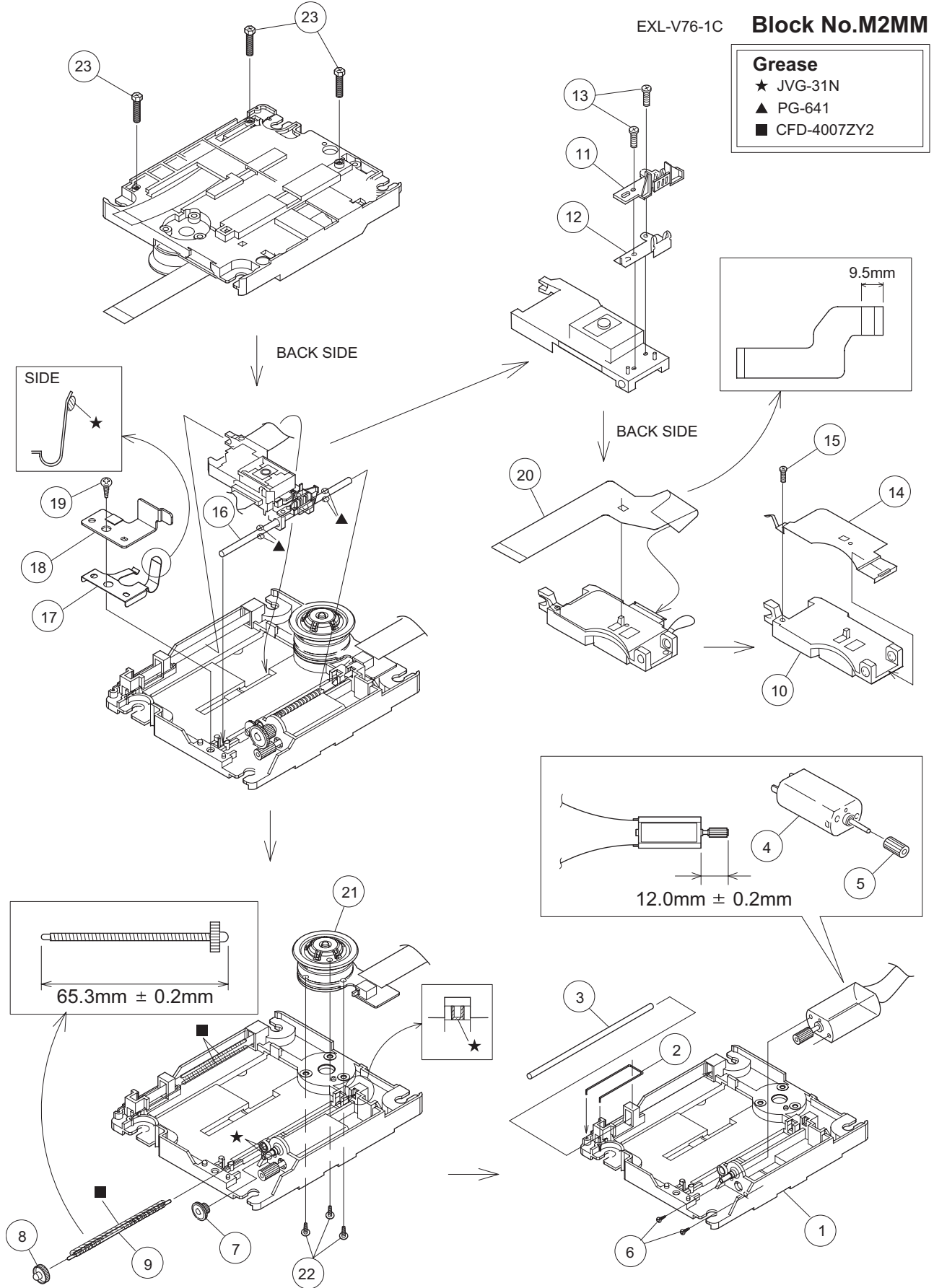
<Local area>

XV-N50BK 50J:J 50C:C

XV-N55SL 55J:J 55C:C 55B:B 55E:E 55EN:EN 55EV:EV 55EE:EE 55UF:UF

(No.A0041)3-3

DVD TRAVERSE MECHANISM ASSEMBLY AND PARTS LIST



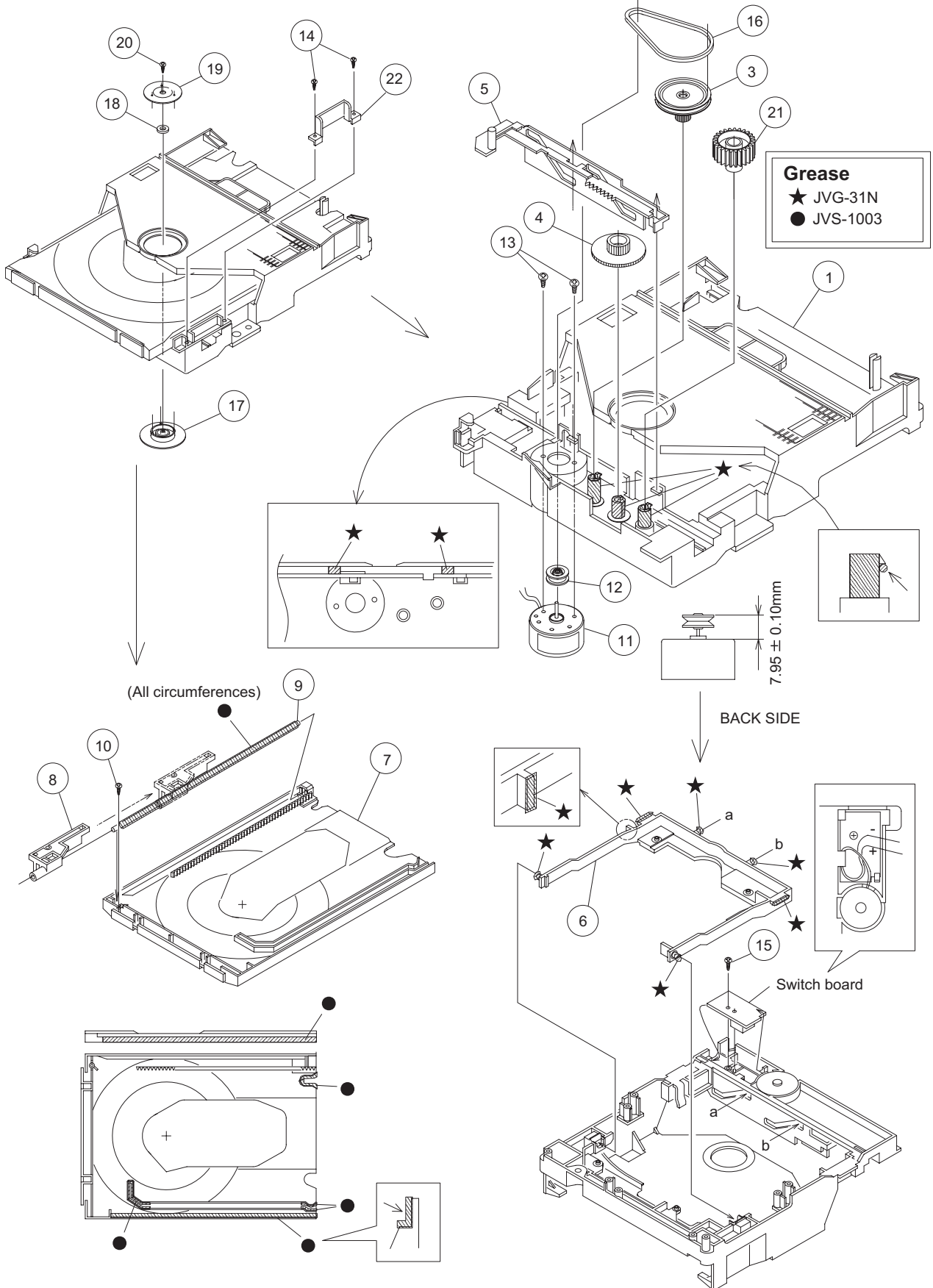
DVD TRAVERSE MECHANISM

Block No. [M][2][M][M]

△ Symbol No.	Part No.	Part Name	Description	Local
1	LE10274-003A	MECHA BASE		
2	LE40896-001A	BAR SPRING		
3	LV41121-002A	SHAFT		
4	QAR0165-001	FEED MOTOR		
5	LV41510-001A	FEED GEAR T		
6	QYSPSPU2040M	SCREW	2mm x 4mm(x2)	
7	LV41511-003A	FEED GEAR M		
8	LV41512-002A	FEED GEAR E		
9	LV41517-003A	LEAD SCREW		
9	LE40918-001A	LEAD SCREW		
10	QAL0452-001	PICK UP		
11	LE20519-001A	SW ACTUATOR		
12	LE30886-001A	LEAD SPRING		
13	QYSPSFU1740Z	SCREW	1.7mm x 4mm(x2)	
14	LE30888-003A	P.U.SPRING		
15	QYSPSGU1430Z	SCREW	1.4mm x 3mm	
16	LV41121-002A	SHAFT		
17	LE40894-001A	T.SPRING		
18	LE40895-002A	BRACKET		
19	QYSDSF2005Z	SCREW	2mm x 5mm	
20	QAL0284-001	FPC		
21	QAR0268-001	SPINDLE MOTOR		
22	QYSPSPU1760Z	SCREW	1.7mm x 6mm(x3)	
23	LE40858-002A	S.SCREW	(x3)	

DVD LOADING MECHANISM ASSEMBLY AND PARTS LIST

ELM-J3-1C Block No.M3MM



DVD LOADING MECHANISM

Block No. [M][3][M][M]

△ Symbol No.	Part No.	Part Name	Description	Local
1	LE10275-003A	LOADER BASE		
3	LE31043-001A	PULLEY GEAR		
4	LE31042-001A	MIDDLE GEAR		
5	LE20665-001A	SLIDE CAM		
6	LE20667-001A	ELEVATOR		
7	LE10276-002A	TRAY		
8	LE31045-001A	BUSHING		
9	LE40898-001A	SHAFT		
10	QYSSSF2008Z	SCREW	2mm x 8mm	
11	QAR0197-001	MOTOR		
12	LV42087-002A	MOTOR PULLEY		
13	QYSPSPU1730Z	SCREW	FOR MOTOR(x2)	
14	QYSDSF2008Z	SCREW	2mm x 8mm(x2)	
15	QYSDSF2006Z	SCREW	FOR BOARD	
16	LE40897-001A	BELT		
17	LE31046-001A	CLAMPER		
18	LV42930-003A	MAGNET		
19	LE40899-001A	YOKE		
20	LE40906-001A	S.SCREW		
21	LE31044-001A	IDLE GEAR		
22	LE40937-001A	LEAF SPRING		

ELECTRICAL PARTS LIST

RELAY BOARD

Block No. [0][1][0][0]

△ Symbol No.	Part No.	Part Name	Description	Local
CN1	QGF0522F1-30W	CONNECTOR	FFC/FPC (1-30)	
CN2	QGF1016F2-05W	CONNECTOR	FFC/FPC (1-5)	
CN3	QGF1016F2-15W	CONNECTOR	FFC/FPC (1-15)	
CN4	QGF0522F1-50W	CONNECTOR	FFC/FPC (1-50)	
SW1	NSW0127-001X	SLIDE SWITCH		

△ Symbol No. Part No. Part Name Description Local

C119	NCB31HK-561X	C CAPACITOR	560pF 50V K	
C121	NCB31CK-104X	C CAPACITOR	0.1uF 16V K	
C124	NCB31HK-222X	C CAPACITOR	2200pF 50V K	
C125	NCB31HK-391X	C CAPACITOR	390pF 50V K	
C126	NCF31CZ-104X	C CAPACITOR	0.1uF 16V Z	
C127	NCF31CZ-104X	C CAPACITOR	0.1uF 16V Z	
C128	NCF31CZ-104X	C CAPACITOR	0.1uF 16V Z	
C130	NCB31HK-102X	C CAPACITOR	1000pF 50V K	
C131	NCB31HK-102X	C CAPACITOR	1000pF 50V K	
C132	NCB31HK-102X	C CAPACITOR	1000pF 50V K	
C133	NCB31HK-102X	C CAPACITOR	1000pF 50V K	
C134	NCB21CK-224X	C CAPACITOR	0.22uF 16V K	
C135	QETN1EM-476Z	E CAPACITOR	47uF 25V M	
C136	NCB31CK-104X	C CAPACITOR	0.1uF 16V K	
C137	QETN1EM-476Z	E CAPACITOR	47uF 25V M	
C138	NCF31CZ-104X	C CAPACITOR	0.1uF 16V Z	
C140	NCB31HK-102X	C CAPACITOR	1000pF 50V K	
C141	NCF31CZ-104X	C CAPACITOR	0.1uF 16V Z	
C142	NCF31CZ-104X	C CAPACITOR	0.1uF 16V Z	
C143	NCF31CZ-104X	C CAPACITOR	0.1uF 16V Z	
C144	NCB31CK-103X	C CAPACITOR	0.01uF 16V K	
C146	NCF31CZ-104X	C CAPACITOR	0.1uF 16V Z	
C204	NCF31CZ-104X	C CAPACITOR	0.1uF 16V Z	
C205	NCS31HJ-121X	C CAPACITOR	120pF 50V J	
C207	NCB31HK-391X	C CAPACITOR	390pF 50V K	
C208	NCB31HK-391X	C CAPACITOR	390pF 50V K	
C211	NCB31HK-223X	C CAPACITOR	0.022uF 50V K	
C212	NCB31CK-103X	C CAPACITOR	0.01uF 16V K	
C216	NCB30JK-105X	C CAPACITOR	1uF 6.3V K	
C217	NCF31CZ-104X	C CAPACITOR	0.1uF 16V Z	
C218	NCB30JK-105X	C CAPACITOR	1uF 6.3V K	
C251	NCF31CZ-104X	C CAPACITOR	0.1uF 16V Z	
C253	NCF31CZ-104X	C CAPACITOR	0.1uF 16V Z	
C255	NCB31CK-153X	C CAPACITOR	0.015uF 16V K	
C256	NCB31CK-104X	C CAPACITOR	0.1uF 16V K	
C257	NCF31CZ-104X	C CAPACITOR	0.1uF 16V Z	
C258	NCF31CZ-104X	C CAPACITOR	0.1uF 16V Z	
C259	NCF31CZ-104X	C CAPACITOR	0.1uF 16V Z	
C260	NCF31CZ-104X	C CAPACITOR	0.1uF 16V Z	
C261	NCF31CZ-104X	C CAPACITOR	0.1uF 16V Z	
C262	NCF31CZ-104X	C CAPACITOR	0.1uF 16V Z	
C263	NCF31CZ-104X	C CAPACITOR	0.1uF 16V Z	
C264	NCB31CK-103X	C CAPACITOR	0.01uF 16V K	
C301	NCF31CZ-104X	C CAPACITOR	0.1uF 16V Z	
C302	NCF31CZ-104X	C CAPACITOR	0.1uF 16V Z	
C303	NCF31CZ-104X	C CAPACITOR	0.1uF 16V Z	
C304	QETN1EM-476Z	E CAPACITOR	47uF 25V M	
C306	QETN1EM-476Z	E CAPACITOR	47uF 25V M	
C308	QETN1EM-476Z	E CAPACITOR	47uF 25V M	
C310	NCF31CZ-104X	C CAPACITOR	0.1uF 16V Z	
C311	NCB31HK-561X	C CAPACITOR	560pF 50V K	
C312	NCB31HK-561X	C CAPACITOR	560pF 50V K	
C313	NCB31HK-561X	C CAPACITOR	560pF 50V K	
C314	NCB31HK-331X	C CAPACITOR	330pF 50V K	
C315	NCB31HK-471X	C CAPACITOR	470pF 50V K	
C316	NCB31HK-271X	C CAPACITOR	270pF 50V K	
C317	NCS31HJ-121X	C CAPACITOR	120pF 50V J	
C318	NCF31CZ-104X	C CAPACITOR	0.1uF 16V Z	
C319	NCB31HK-102X	C CAPACITOR	1000pF 50V K	
C320	NCB31HK-102X	C CAPACITOR	1000pF 50V K	
C321	NCB31HK-102X	C CAPACITOR	1000pF 50V K	
C322	NCB31HK-562X	C CAPACITOR	5600pF 50V K	
C323	NCB31HK-102X	C CAPACITOR	1000pF 50V K	
C324	NCF31CZ-104X	C CAPACITOR	0.1uF 16V Z	
C325	NCS31HJ-470X	C CAPACITOR	47pF 50V J	
C326	NCB31CK-183X	C CAPACITOR	0.018uF 16V K	
C327	NCB31HK-102X	C CAPACITOR	1000pF 50V K	
C328	NCF31CZ-104X	C CAPACITOR	0.1uF 16V Z	
C329	NCB31CK-103X	C CAPACITOR	0.01uF 16V K	
C330	NCB31CK-104X	C CAPACITOR	0.1uF 16V K	
C331	NCB31CK-103X	C CAPACITOR	0.01uF 16V K	
C332	NCF31CZ-104X	C CAPACITOR	0.1uF 16V Z	
C333	NCB31CK-104X	C CAPACITOR	0.1uF 16V K	
C334	NCB31CK-104X	C CAPACITOR	0.1uF 16V K	

SERVO CONTROL & SIGNAL OUTPUT

TERMINAL BOARD

Block No. [0][2][0][0]

△ Symbol No.	Part No.	Part Name	Description	Local
IC101	AN8708FHK	IC		
IC201	BA5983FM-X	IC		
IC251	BA6664FM-X	LSI		
IC301	MN103S26EGB-H	IC		
IC301	or MN103S26EDC-H	IC		
IC402	AK4381VT-X	IC		
IC501	NDV8601VWA-BE	IC		
IC505	W986432DH-7	IC		except XV-N55SL for ver.UF
IC505	HY57V643220CT-5	IC		
IC505	or K4S643232E-TC60	IC		
IC505	or K4S643232E-TC70	IC		
IC509	SST39VF160H0753	IC		only ver.J,C
IC509	SST39VF160H0762	IC		only ver.B,E,EN,EV
IC509	SST39VF160H0772	IC		only ver.EE
IC509	*Part number will be described in MCI			only ver.UF
IC511	LM1117MP1.8-X	IC		
IC512	74LVC373APW-X	IC(DIGITAL)		
IC513	74LVC373APW-X	IC(DIGITAL)		
IC704	74VHCT08ASJ-X	IC		
IC751	NJM5532M-XE	IC		only XV-N55SL for Europe
IC751	NJM4580M-X	IC		only ver.J,C,UF
Q101	KTA1001/Y/-X	TRANSISTOR		
Q102	KTA1001/Y/-X	TRANSISTOR		
Q103	DTA144EE-X	DIGI TRANSISTOR		
Q691	KRC102S-X	DIGI TRANSISTOR		only XV-N55SL for Europe
Q751	2SC3576-JVC-T	TRANSISTOR		
Q752	2SC3576-JVC-T	TRANSISTOR		
Q755	KRC109S-X	TRANSISTOR		
Q756	KRA102S-X	DIGI TRANSISTOR		
Q757	2SC2412K/RS/-X	TRANSISTOR		
Q758	KRA121S-X	DIGI TRANSISTOR		
D101	RB521S-30-X	SB DIODE		
D301	RB521S-30-X	SB DIODE		
D601	1SS355-X	SI DIODE		except XV-N55SL for ver.UF
D611	1SS355-X	SI DIODE		except XV-N55SL for ver.UF
D621	1SS355-X	SI DIODE		except XV-N55SL for ver.UF
D631	1SS355-X	SI DIODE		except XV-N55SL for ver.UF
C105	QETN1EM-476Z	E CAPACITOR	47uF 25V M	
C106	QETN1EM-476Z	E CAPACITOR	47uF 25V M	
C110	NCS31HJ-101X	C CAPACITOR	100pF 50V J	
C111	NCB31HK-472X	C CAPACITOR	4700pF 50V K	
C112	NCF31CZ-104X	C CAPACITOR	0.1uF 16V Z	
C115	NCB31CK-104X	C CAPACITOR	0.1uF 16V K	
C116	NCB31CK-104X	C CAPACITOR	0.1uF 16V K	

<Local area>

XV-N50BK 50J:J 50C:C

XV-N55SL 55J:J 55C:C 55B:B 55E:E 55EN:EN 55EV:EV 55EE:EE 55UF:UF

△ Symbol No.	Part No.	Part Name	Description	Local	△ Symbol No.	Part No.	Part Name	Description	Local
C335	NCB31HK-681X	C CAPACITOR	680pF 50V K		C559	NCS31HJ-101X	C CAPACITOR	100pF 50V J	only ver.J,C
C337	NCF31CZ-104X	C CAPACITOR	0.1uF 16V Z		C560	NCS31HJ-101X	C CAPACITOR	100pF 50V J	only ver.J,C
C338	NCF31CZ-104X	C CAPACITOR	0.1uF 16V Z		C561	NCS31HJ-101X	C CAPACITOR	100pF 50V J	only ver.J,C
C339	NCB31CK-104X	C CAPACITOR	0.1uF 16V K		C562	NCF31CZ-104X	C CAPACITOR	0.1uF 16V Z	
C340	NCB31CK-104X	C CAPACITOR	0.1uF 16V K		C563	NCS31HJ-101X	C CAPACITOR	100pF 50V J	only ver.J,C
C341	NCF31CZ-104X	C CAPACITOR	0.1uF 16V Z		C565	QETN1EM-476Z	E CAPACITOR	47uF 25V M	
C342	NCS31HJ-101X	C CAPACITOR	100pF 50V J	only ver.J,C	C566	NCF31CZ-104X	C CAPACITOR	0.1uF 16V Z	
C343	NCF31CZ-104X	C CAPACITOR	0.1uF 16V Z		C567	NCS31HJ-101X	C CAPACITOR	100pF 50V J	only ver.J,C
C344	NCS31HJ-101X	C CAPACITOR	100pF 50V J	only ver.J,C	C568	NCS31HJ-101X	C CAPACITOR	100pF 50V J	only ver.J,C
C345	NCF31CZ-104X	C CAPACITOR	0.1uF 16V Z		C569	NCF31CZ-104X	C CAPACITOR	0.1uF 16V Z	
C346	NCF31CZ-104X	C CAPACITOR	0.1uF 16V Z		C570	NCF31CZ-104X	C CAPACITOR	0.1uF 16V Z	
C347	NCF31CZ-104X	C CAPACITOR	0.1uF 16V Z		C571	QETN1EM-476Z	E CAPACITOR	47uF 25V M	
C348	NCB31CK-104X	C CAPACITOR	0.1uF 16V K		C572	NCF31CZ-104X	C CAPACITOR	0.1uF 16V Z	
C349	NCF31CZ-104X	C CAPACITOR	0.1uF 16V Z		C573	QETN1EM-476Z	E CAPACITOR	47uF 25V M	
C350	NCF31CZ-104X	C CAPACITOR	0.1uF 16V Z		C575	NCS31HJ-101X	C CAPACITOR	100pF 50V J	only ver.J,C
C351	NCS31HJ-101X	C CAPACITOR	100pF 50V J	only ver.J,C	C578	NCF31CZ-104X	C CAPACITOR	0.1uF 16V Z	
C352	NCS31HJ-101X	C CAPACITOR	100pF 50V J	only ver.J,C	C581	QETN0JM-227Z	E CAPACITOR	220uF 6.3V M	
C360	QETN1EM-476Z	E CAPACITOR	47uF 25V M		C591	NRSA63J-0R0X	MG RESISTOR	0Ω 1/16W J	except XV-N55SL for ver.J,C
C400	NCB31HK-102X	C CAPACITOR	1000pF 50V K		C592	NCS31HJ-101X	C CAPACITOR	100pF 50V J	only ver.J,C
C407	NCB30JK-105X	C CAPACITOR	1uF 6.3V K		C592	NRSA63J-0R0X	MG RESISTOR	0Ω 1/16W J	except XV-N55SL for ver.J,C
C408	QEZO592-108Z	E CAPACITOR	1000uF		C596	NCS31HJ-101X	C CAPACITOR	100pF 50V J	only ver.J,C
C501	NCS31HJ-101X	C CAPACITOR	100pF 50V J	only ver.J,C	C597	NCS31HJ-101X	C CAPACITOR	100pF 50V J	only ver.J,C
C501	NCF31CZ-104X	C CAPACITOR	0.1uF 16V Z	except XV-N55SL for ver.J,C	C598	NCS31HJ-101X	C CAPACITOR	100pF 50V J	only ver.J,C
C502	QETN0JM-107Z	E CAPACITOR	100uF 6.3V M		C599	NCS31HJ-101X	C CAPACITOR	100pF 50V J	only ver.J,C
C503	NCF31CZ-104X	C CAPACITOR	0.1uF 16V Z		C602	NCS31HJ-151X	C CAPACITOR	150pF 50V J	only ver.J,C
C504	QETN1EM-476Z	E CAPACITOR	47uF 25V M		C603	NCS31HJ-331X	C CAPACITOR	330pF 50V J	
C505	NCF31CZ-104X	C CAPACITOR	0.1uF 16V Z		C604	NCS31HJ-680X	C CAPACITOR	68pF 50V J	
C506	NDC31HJ-150X	C CAPACITOR	15pF 50V J		C612	NCS31HJ-151X	C CAPACITOR	150pF 50V J	only XV-N55SL for Europe
C507	NDC31HJ-180X	C CAPACITOR	18pF 50V J		C612	NCS31HJ-680X	C CAPACITOR	68pF 50V J	only ver.J,C,UF
C508	QETN1EM-476Z	E CAPACITOR	47uF 25V M		C613	NCS31HJ-331X	C CAPACITOR	330pF 50V J	only XV-N55SL for Europe
C509	NCF31CZ-104X	C CAPACITOR	0.1uF 16V Z		C613	NCS31HJ-221X	C CAPACITOR	220pF 50V J	only ver.J,C,UF
C512	NCF31CZ-104X	C CAPACITOR	0.1uF 16V Z		C614	NCS31HJ-680X	C CAPACITOR	68pF 50V J	only XV-N55SL for Europe
C514	NCS31HJ-101X	C CAPACITOR	100pF 50V J	only ver.J,C	C614	NCS31HJ-220X	C CAPACITOR	22pF 50V J	only ver.J,C,UF
C515	NCS31HJ-101X	C CAPACITOR	100pF 50V J	only ver.J,C	C622	NCS31HJ-151X	C CAPACITOR	150pF 50V J	only XV-N55SL for Europe
C516	NCS31HJ-101X	C CAPACITOR	100pF 50V J	only ver.J,C	C622	NCS31HJ-680X	C CAPACITOR	68pF 50V J	only ver.J,C,UF
C517	NCF31CZ-104X	C CAPACITOR	0.1uF 16V Z		C623	NCS31HJ-331X	C CAPACITOR	330pF 50V J	only XV-N55SL for Europe
C518	NCF31CZ-104X	C CAPACITOR	0.1uF 16V Z		C623	NCS31HJ-221X	C CAPACITOR	220pF 50V J	only ver.J,C,UF
C519	NCF31CZ-104X	C CAPACITOR	0.1uF 16V Z		C624	NCS31HJ-680X	C CAPACITOR	68pF 50V J	only XV-N55SL for Europe
C520	NCS31HJ-101X	C CAPACITOR	100pF 50V J	only ver.J,C	C624	NCS31HJ-220X	C CAPACITOR	22pF 50V J	only ver.J,C,UF
C521	NCF31CZ-104X	C CAPACITOR	0.1uF 16V Z		C632	NCS31HJ-151X	C CAPACITOR	150pF 50V J	only XV-N55SL for Europe
C523	NCF31CZ-104X	C CAPACITOR	0.1uF 16V Z		C632	NCS31HJ-680X	C CAPACITOR	68pF 50V J	only ver.J,C,UF
C524	QETN1EM-476Z	E CAPACITOR	47uF 25V M		C633	NCS31HJ-331X	C CAPACITOR	330pF 50V J	only XV-N55SL for Europe
C526	QETN1EM-476Z	E CAPACITOR	47uF 25V M		C633	NCS31HJ-221X	C CAPACITOR	220pF 50V J	only ver.J,C,UF
C527	QETN1EM-476Z	E CAPACITOR	47uF 25V M	except XV-N55SL for ver.J,C	C634	NCS31HJ-680X	C CAPACITOR	68pF 50V J	only XV-N55SL for Europe
C528	NCS31HJ-101X	C CAPACITOR	100pF 50V J	only ver.J,C	C634	NCS31HJ-220X	C CAPACITOR	22pF 50V J	only ver.J,C,UF
C529	NCS31HJ-101X	C CAPACITOR	100pF 50V J	only ver.J,C	C638	NCB31CK-104X	C CAPACITOR	0.1uF 16V K	only ver.J,C,UF
C530	NCF31CZ-104X	C CAPACITOR	0.1uF 16V Z		C639	NCB31CK-104X	C CAPACITOR	0.1uF 16V K	
C531	NCF31CZ-104X	C CAPACITOR	0.1uF 16V Z		C682	NCB31HK-331X	C CAPACITOR	330pF 50V K	
C532	NCF31CZ-104X	C CAPACITOR	0.1uF 16V Z		C751	QFLC1HJ-332Z	M CAPACITOR	3300pF 50V J	
C533	NCF31CZ-104X	C CAPACITOR	0.1uF 16V Z		C752	QFLC1HJ-332Z	M CAPACITOR	3300pF 50V J	
C534	NCF31CZ-104X	C CAPACITOR	0.1uF 16V Z		C753	QFLC1HJ-471Z	M CAPACITOR	470pF 50V J	
C535	NCS31HJ-101X	C CAPACITOR	100pF 50V J	only ver.J,C	C754	QFLC1HJ-471Z	M CAPACITOR	470pF 50V J	
C536	NCS31HJ-101X	C CAPACITOR	100pF 50V J	only ver.J,C	C755	QFLC1HJ-471Z	M CAPACITOR	470pF 50V J	
C537	QETN1EM-476Z	E CAPACITOR	47uF 25V M		C756	QFLC1HJ-471Z	M CAPACITOR	470pF 50V J	
C538	NCF31CZ-104X	C CAPACITOR	0.1uF 16V Z		C757	QTE1E28-476Z	E CAPACITOR	47uF 25V	only XV-N55SL for Europe
C539	NCS31HJ-101X	C CAPACITOR	100pF 50V J	only ver.J,C	C757	QEZO598-226Z	E CAPACITOR	22uF	only ver.J,C,UF
C540	NCS31HJ-101X	C CAPACITOR	100pF 50V J	only ver.J,C	C758	QTE1E28-476Z	E CAPACITOR	47uF 25V	only XV-N55SL for Europe
C540	NCF31CZ-104X	C CAPACITOR	0.1uF 16V Z	55UF	C758	QEZO598-226Z	E CAPACITOR	22uF	only ver.J,C,UF
C541	NCF31CZ-104X	C CAPACITOR	0.1uF 16V Z		C759	NCB31HK-222X	C CAPACITOR	2200pF 50V K	
C542	NCB31CK-104X	C CAPACITOR	0.1uF 16V K		C760	NCB31HK-222X	C CAPACITOR	2200pF 50V K	
C543	NCF31CZ-104X	C CAPACITOR	0.1uF 16V Z		C763	NDC31HJ-151X	C CAPACITOR	150pF 50V J	
C544	NCF31CZ-104X	C CAPACITOR	0.1uF 16V Z		C764	QEZO594-107Z	E CAPACITOR	100uF	
C545	NCF31CZ-104X	C CAPACITOR	0.1uF 16V Z		C765	QEZO594-107Z	E CAPACITOR	100uF	
C546	QETN1EM-476Z	E CAPACITOR	47uF 25V M		C791	QETN1EM-475Z	E CAPACITOR	4.7uF 25V M	
C547	NCS31HJ-101X	C CAPACITOR	100pF 50V J	only ver.J,C	C793	QETN0JM-107Z	E CAPACITOR	100uF 6.3V M	
C548	NCF31CZ-104X	C CAPACITOR	0.1uF 16V Z		C794	NCF31CZ-104X	C CAPACITOR	0.1uF 16V Z	
C549	QETN1EM-476Z	E CAPACITOR	47uF 25V M						
C550	NCF31CZ-104X	C CAPACITOR	0.1uF 16V Z						
C551	NCF31HZ-103X	C CAPACITOR	0.01uF 50V Z						
C552	NRSA63J-0R0X	MG RESISTOR	0Ω 1/16W J						
C553	NRSA63J-0R0X	MG RESISTOR	0Ω 1/16W J						
C554	NCF31CZ-104X	C CAPACITOR	0.1uF 16V Z						
C555	NRSA63J-0R0X	MG RESISTOR	0Ω 1/16W J						
C556	NCS31HJ-101X	C CAPACITOR	100pF 50V J	only ver.J,C					
C557	NCF31CZ-104X	C CAPACITOR	0.1uF 16V Z						
C558	NCF31CZ-104X	C CAPACITOR	0.1uF 16V Z						

<Local area>
XV-N50BK 50J:J 50C:C
XV-N55SL 55J:J 55C:C 55B:B 55E:E 55EN:EN 55EV:EV 55EE:EE 55UF:UF

△ Symbol No.	Part No.	Part Name	Description	Local	△ Symbol No.	Part No.	Part Name	Description	Local
C795	QETN1EM-476Z	E CAPACITOR	47uF 25V M		R338	NRSA63J-472X	MG RESISTOR	4.7kΩ 1/16W J	
C797	NDC31HJ-151X	C CAPACITOR	150pF 50V J		R339	NRSA63J-472X	MG RESISTOR	4.7kΩ 1/16W J	
C1706	NCF31CZ-104X	C CAPACITOR	0.1uF 16V Z		R340	NRSA63J-103X	MG RESISTOR	10kΩ 1/16W J	
R101	NRSA63J-333X	MG RESISTOR	33kΩ 1/16W J		R341	NRSA63J-562X	MG RESISTOR	5.6kΩ 1/16W J	
R102	NRSA63J-223X	MG RESISTOR	22kΩ 1/16W J		R342	NRSA63J-0R0X	MG RESISTOR	0Ω 1/16W J	
R103	NRSA63J-223X	MG RESISTOR	22kΩ 1/16W J		R343	NRSA63J-103X	MG RESISTOR	10kΩ 1/16W J	
R104	NRS125J-270X	MG RESISTOR	27Ω 1/2W J		R344	NRSA63J-103X	MG RESISTOR	10kΩ 1/16W J	
R105	NRS125J-270X	MG RESISTOR	27Ω 1/2W J		R360	NRSA63J-681X	MG RESISTOR	680Ω 1/16W J	only ver.J,C,UF
R106	NRSA63J-273X	MG RESISTOR	27kΩ 1/16W J		R404	NRSA63J-332X	MG RESISTOR	3.3kΩ 1/16W J	
R107	NRSA63J-273X	MG RESISTOR	27kΩ 1/16W J		R500	NRSA63J-100X	MG RESISTOR	10Ω 1/16W J	
R108	NRSA63J-182X	MG RESISTOR	1.8kΩ 1/16W J		R501	NRSA63J-470X	MG RESISTOR	47Ω 1/16W J	
R110	NRSA63J-333X	MG RESISTOR	33kΩ 1/16W J		R509	NRSA63J-0R0X	MG RESISTOR	0Ω 1/16W J	
R111	NRVA63D-123X	CMF RESISTOR	12kΩ 1/16W D		R510	NRSA63J-0R0X	MG RESISTOR	0Ω 1/16W J	
R112	NRSA63J-822X	MG RESISTOR	8.2kΩ 1/16W J		R511	NRSA63J-0R0X	MG RESISTOR	0Ω 1/16W J	
R113	NRSA63J-103X	MG RESISTOR	10kΩ 1/16W J		R513	NRSA63J-0R0X	MG RESISTOR	0Ω 1/16W J	
R119	NRSA63J-2R2X	MG RESISTOR	2.2Ω 1/16W J		R514	NRSA63J-220X	MG RESISTOR	22Ω 1/16W J	
R120	NRSA63J-2R2X	MG RESISTOR	2.2Ω 1/16W J		R515	NRSA63J-331X	MG RESISTOR	330Ω 1/16W J	
R121	NRSA63J-472X	MG RESISTOR	4.7kΩ 1/16W J		R519	NRSA63J-103X	MG RESISTOR	10kΩ 1/16W J	
R125	NRSA63J-105X	MG RESISTOR	1MΩ 1/16W J		R520	NRSA63J-0R0X	MG RESISTOR	0Ω 1/16W J	
R128	NRS125J-1R0X	MG RESISTOR	1Ω 1/2W J		R521	NQR0129-004X	FERRITE BEADS		only ver.J,C except XV-N55SL for ver.J,C
R129	NRS125J-1R0X	MG RESISTOR	1Ω 1/2W J		R521	NRSA63J-0R0X	MG RESISTOR	0Ω 1/16W J	
R201	NRSA63J-470X	MG RESISTOR	47Ω 1/16W J		R522	NQR0129-004X	FERRITE BEADS		only ver.J,C except XV-N55SL for ver.J,C
R202	NRS125J-1R0X	MG RESISTOR	1Ω 1/2W J		R522	NRSA63J-0R0X	MG RESISTOR	0Ω 1/16W J	
R204	NRSA63J-273X	MG RESISTOR	27kΩ 1/16W J		R523	NQR0129-004X	FERRITE BEADS		only ver.J,C except XV-N55SL for ver.J,C
R205	NRSA63J-273X	MG RESISTOR	27kΩ 1/16W J		R523	NRSA63J-0R0X	MG RESISTOR	0Ω 1/16W J	
R206	NRSA63J-303X	MG RESISTOR	30kΩ 1/16W J		R550	NRSA63J-471X	MG RESISTOR	470Ω 1/16W J	
R207	NRSA63J-473X	MG RESISTOR	47kΩ 1/16W J		R565	NRSA63J-333X	MG RESISTOR	33kΩ 1/16W J	
R208	NRSA63J-223X	MG RESISTOR	22kΩ 1/16W J		R566	NRVA63D-122X	CMF RESISTOR	1.2kΩ 1/16W D	
R209	NRSA63J-223X	MG RESISTOR	22kΩ 1/16W J		R570	NRSA63J-100X	MG RESISTOR	10Ω 1/16W J	
R210	NRSA63J-392X	MG RESISTOR	3.9kΩ 1/16W J		R573	NRSA63J-162X	MG RESISTOR	1.6kΩ 1/16W J	
R211	NRSA63J-392X	MG RESISTOR	3.9kΩ 1/16W J		R574	NRSA63J-162X	MG RESISTOR	1.6kΩ 1/16W J	
R212	NRSA63J-103X	MG RESISTOR	10kΩ 1/16W J		R575	NRSA63J-151X	MG RESISTOR	150Ω 1/16W J	
R213	NRSA63J-103X	MG RESISTOR	10kΩ 1/16W J		R576	NRSA63J-151X	MG RESISTOR	150Ω 1/16W J	
R214	NRSA63J-103X	MG RESISTOR	10kΩ 1/16W J		R578	NRSA63J-151X	MG RESISTOR	150Ω 1/16W J	
R215	NRSA63J-103X	MG RESISTOR	10kΩ 1/16W J		R583	NRSA63J-101X	MG RESISTOR	100Ω 1/16W J	
R216	NRSA63J-912X	MG RESISTOR	9.1kΩ 1/16W J		R584	NRSA63J-332X	MG RESISTOR	3.3kΩ 1/16W J	
R219	NRSA63J-183X	MG RESISTOR	18kΩ 1/16W J		R589	NRSA63J-0R0X	MG RESISTOR	0Ω 1/16W J	
R220	NRSA63J-243X	MG RESISTOR	24kΩ 1/16W J		R601	NRSA63F-750X	MG RESISTOR	75Ω 1/16W F	
R221	NRSA63J-682X	MG RESISTOR	6.8kΩ 1/16W J		R611	NRSA63F-750X	MG RESISTOR	75Ω 1/16W F	
R222	NRSA63J-103X	MG RESISTOR	10kΩ 1/16W J		R613	NRSA63J-472X	MG RESISTOR	4.7kΩ 1/16W J	only ver.J,C,UF
R223	NRSA63J-912X	MG RESISTOR	9.1kΩ 1/16W J		R614	NRSA63J-0R0X	MG RESISTOR	0Ω 1/16W J	only ver.J,C,UF only XV-N55SL for Europe
R230	NRSA63J-332X	MG RESISTOR	3.3kΩ 1/16W J		R621	NRSA63F-750X	MG RESISTOR	75Ω 1/16W F	only ver.J,C,UF only XV-N55SL for Europe
R251	NRS125J-R47X	MG RESISTOR	0.47Ω 1/2W J		R621	NRSA63F-820X	MG RESISTOR	82Ω 1/16W F	only ver.J,C,UF
R252	NRSA63J-2R2X	MG RESISTOR	2.2Ω 1/16W J		R623	NRSA63J-222X	MG RESISTOR	2.2kΩ 1/16W J	only ver.J,C,UF only XV-N55SL for Europe
R254	NRSA63J-203X	MG RESISTOR	20kΩ 1/16W J		R631	NRSA63F-750X	MG RESISTOR	75Ω 1/16W F	only ver.J,C,UF
R255	NRSA63J-103X	MG RESISTOR	10kΩ 1/16W J		R631	NRSA63F-820X	MG RESISTOR	82Ω 1/16W F	only ver.J,C,UF
R256	NRSA63J-470X	MG RESISTOR	47Ω 1/16W J		R633	NRSA63J-222X	MG RESISTOR	2.2kΩ 1/16W J	only ver.J,C,UF only XV-N55SL for Europe
R259	NRSA63J-103X	MG RESISTOR	10kΩ 1/16W J		R634	NRSA63J-0R0X	MG RESISTOR	0Ω 1/16W J	only ver.J,C,UF only XV-N55SL for Europe
R280	NRSA63J-332X	MG RESISTOR	3.3kΩ 1/16W J		R640	NRSA63J-0R0X	MG RESISTOR	0Ω 1/16W J	only ver.J,C,UF only XV-N55SL for Europe
R301	NRSA63J-473X	MG RESISTOR	47kΩ 1/16W J		R655	NRSA63J-102X	MG RESISTOR	1kΩ 1/16W J	only XV-N55SL for Europe
R302	NRSA63J-473X	MG RESISTOR	47kΩ 1/16W J		R657	NRSA63J-104X	MG RESISTOR	100kΩ 1/16W J	only XV-N55SL for Europe
R303	NRSA63J-473X	MG RESISTOR	47kΩ 1/16W J		R682	NRSA63J-100X	MG RESISTOR	10Ω 1/16W J	
R304	NRSA63J-473X	MG RESISTOR	47kΩ 1/16W J		R683	NRSA63J-100X	MG RESISTOR	10Ω 1/16W J	
R305	NRSA63J-473X	MG RESISTOR	47kΩ 1/16W J		R685	NRSA63J-0R0X	MG RESISTOR	0Ω 1/16W J	55UF except XV-N55SL for ver.UF
R306	NRSA63J-473X	MG RESISTOR	47kΩ 1/16W J		R686	NRSA63J-0R0X	MG RESISTOR	0Ω 1/16W J	only XV-N55SL for Europe
R307	NRSA63J-473X	MG RESISTOR	47kΩ 1/16W J		R697	NRSA63J-102X	MG RESISTOR	1kΩ 1/16W J	only XV-N55SL for Europe
R308	NRSA63J-0R0X	MG RESISTOR	0Ω 1/16W J		R709	NRSA63J-100X	MG RESISTOR	10Ω 1/16W J	
R309	NRSA63J-473X	MG RESISTOR	47kΩ 1/16W J		R751	NRVA63D-202X	CMF RESISTOR	2kΩ 1/16W D	
R313	NRSA63J-473X	MG RESISTOR	47kΩ 1/16W J		R752	NRVA63D-202X	CMF RESISTOR	2kΩ 1/16W D	
R317	NRSA63J-473X	MG RESISTOR	47kΩ 1/16W J		R753	NRVA63D-222X	CMF RESISTOR	2.2kΩ 1/16W D	
R320	NRSA63J-105X	MG RESISTOR	1MΩ 1/16W J		R754	NRVA63D-222X	CMF RESISTOR	2.2kΩ 1/16W D	
R321	NRSA63J-473X	MG RESISTOR	47kΩ 1/16W J		R755	NRVA63D-202X	CMF RESISTOR	2kΩ 1/16W D	
R323	NRSA63J-473X	MG RESISTOR	47kΩ 1/16W J		R756	NRVA63D-202X	CMF RESISTOR	2kΩ 1/16W D	
R324	NRSA63J-473X	MG RESISTOR	47kΩ 1/16W J		R757	NRVA63D-222X	CMF RESISTOR	2.2kΩ 1/16W D	
R325	NRSA63J-123X	MG RESISTOR	12kΩ 1/16W J		R758	NRVA63D-222X	CMF RESISTOR	2.2kΩ 1/16W D	
R326	NRSA63J-473X	MG RESISTOR	47kΩ 1/16W J		R759	NRVA63D-472X	CMF RESISTOR	4.7kΩ 1/16W D	
R327	NRSA63J-105X	MG RESISTOR	1MΩ 1/16W J		R760	NRVA63D-472X	CMF RESISTOR	4.7kΩ 1/16W D	
R328	NRSA63J-153X	MG RESISTOR	15kΩ 1/16W J		R761	NRVA63D-201X	CMF RESISTOR	200Ω 1/16W D	
R329	NRSA63J-473X	MG RESISTOR	47kΩ 1/16W J		R762	NRVA63D-201X	CMF RESISTOR	200Ω 1/16W D	
R330	NRSA63J-473X	MG RESISTOR	47kΩ 1/16W J						
R331	NRSA63J-473X	MG RESISTOR	47kΩ 1/16W J						
R332	NRSA63J-102X	MG RESISTOR	1kΩ 1/16W J						
R333	NRSA63J-183X	MG RESISTOR	18kΩ 1/16W J						
R334	NRSA63J-102X	MG RESISTOR	1kΩ 1/16W J						
R335	NRSA63J-472X	MG RESISTOR	4.7kΩ 1/16W J						
R336	NRSA63J-273X	MG RESISTOR	27kΩ 1/16W J						
R337	NRSA63J-273X	MG RESISTOR	27kΩ 1/16W J						

<Local area>

XV-N50BK 50J:J 50C:C

XV-N55SL 55J:J 55C:C 55B:B 55E:E 55EN:EN 55EV:EV 55EE:EE 55UF:UF

△ Symbol No.	Part No.	Part Name	Description	Local
R763	NRVA63D-201X	CMF RESISTOR	200Ω 1/16W D	
R764	NRVA63D-201X	CMF RESISTOR	200Ω 1/16W D	
R765	NRVA63D-472X	CMF RESISTOR	4.7kΩ 1/16W D	
R766	NRVA63D-472X	CMF RESISTOR	4.7kΩ 1/16W D	
R767	NRVA63D-561X	CMF RESISTOR	560Ω 1/16W D	
R768	NRVA63D-561X	CMF RESISTOR	560Ω 1/16W D	
R769	NRSA63J-273X	MG RESISTOR	27kΩ 1/16W J	
R770	NRSA63J-273X	MG RESISTOR	27kΩ 1/16W J	
R771	NRSA63J-103X	MG RESISTOR	10kΩ 1/16W J	
R772	NRSA63J-103X	MG RESISTOR	10kΩ 1/16W J	
R773	NRVA63D-101X	CMF RESISTOR	100Ω 1/16W D	
R774	NRVA63D-101X	CMF RESISTOR	100Ω 1/16W D	
R782	NRSA63J-473X	MG RESISTOR	47kΩ 1/16W J	
R783	NRSA63J-221X	MG RESISTOR	220Ω 1/16W J	
R784	NRSA63J-221X	MG RESISTOR	220Ω 1/16W J	
R785	NRSA63J-473X	MG RESISTOR	47kΩ 1/16W J	
R786	NRSA63J-103X	MG RESISTOR	10kΩ 1/16W J	
R787	NRSA63J-104X	MG RESISTOR	100kΩ 1/16W J	
R788	NRSA63J-473X	MG RESISTOR	47kΩ 1/16W J	
R790	NRSA63J-100X	MG RESISTOR	10Ω 1/16W J	
R791	NRSA63J-301X	MG RESISTOR	300Ω 1/16W J	
R792	NRSA63J-301X	MG RESISTOR	300Ω 1/16W J	
R794	NRSA63J-820X	MG RESISTOR	82Ω 1/16W J	
R1781	NRSA63J-0R0X	MG RESISTOR	0Ω 1/16W J	
R1782	NRSA63J-0R0X	MG RESISTOR	0Ω 1/16W J	
L501	NQL77GM-100X	COIL	10uH M	
L502	QQL244K-100Z	COIL	10uH K	
L503	QQL244K-100Z	COIL	10uH K	
L504	QQL244K-100Z	COIL	10uH K	
L505	QQL244K-100Z	COIL	10uH K	
L601	NQL77GM-1R0X	COIL	1uH M	
L611	NQL77GM-1R0X	COIL	1uH M	
L612	NQL77GM-1R0X	COIL	1uH M	
L613	NQL77GM-1R0X	COIL	1uH M	
L681	QQL232K-R68Z	COIL	0.68uH K	
CN101	QGF0529C1-50W	CONNECTOR	FFC/FPC (1-50)	
CN502	QGF1201C3-13	CONNECTOR	FFC/FPC (1-13)	
CN631	QGF1201C3-13	CONNECTOR	FFC/FPC (1-13)	only XV-N55SL for Europe
FW501	QUM109-11DGZ4	PARA RIBON WIRE		
J602	QNN0557-001	PIN JACK		only XV-N55SL for Europe
J602	QNN0557-002	PIN JACK		only ver.J,C,UF
J605	QNN0572-001	PIN JACK		only ver.J,C,UF
J700	QNN0575-001	PIN JACK		
J704	QNZ0639-001	PIN+OPT JACK		
K101	NQR0007-002X	FERRITE BEADS		
K508	NQR0007-002X	FERRITE BEADS		
K509	NQR0007-002X	FERRITE BEADS		
K556	NQR0007-002X	FERRITE BEADS		
K557	NQR0201-011X	RES. C.M		only ver.J,C
K557	NQR0007-002X	FERRITE BEADS		except XV-N55SL for ver.J,C
K558	NQR0201-011X	RES. C.M		only ver.J,C
K558	NQR0007-002X	FERRITE BEADS		except XV-N55SL for ver.J,C
K559	NQR0201-011X	RES. C.M		only ver.J,C
K559	NQR0007-002X	FERRITE BEADS		except XV-N55SL for ver.J,C
K682	NQR0227-004X	FERRITE BEADS		
K791	NQR0227-004X	FERRITE BEADS		
K792	NRSA63J-0R0X	MG RESISTOR	0Ω 1/16W J	only ver.J,C
K792	NQR0227-004X	FERRITE BEADS		except XV-N55SL for ver.J,C
X301	NAX0566-001X	CRYSTAL		
X571	NAX0550-001X	CRYSTAL		
OT1	E3400-431	SPACER		only XV-N55SL for Europe

POWER SUPPLY BOARD

Block No. [0][3][0][0]

△ Symbol No.	Part No.	Part Name	Description	Local
IC701	UPD789074MC-026	IC		
IC702	IC-PST3527N-X	IC		
IC801	PT6315	IC		
IC802	GP1UE271XK	RM RECIVER		
△ IC901	MIP2C40MP	IC		
IC951	MM1565AF-X	IC	5.0V Regulator	
IC952	TL431/AV-T	IC		
Q696	KRA102S-X	DIGI TRANSISTOR		only XV-N55SL for Europe
Q701	KRC107S-X	DIGI TRANSISTOR		
Q753	2SC3576-JVC-T	TRANSISTOR		only XV-N55SL for Europe
Q754	2SC3576-JVC-T	TRANSISTOR		only XV-N55SL for Europe
Q821	KRC107S-X	DIGI TRANSISTOR		
Q822	KRC107S-X	DIGI TRANSISTOR		
Q823	KRA102S-X	DIGI TRANSISTOR		
Q825	KRC107S-X	DIGI TRANSISTOR		
Q826	KRC107S-X	DIGI TRANSISTOR		
Q951	2SC3576-JVC-T	TRANSISTOR		
Q952	KRA104S-X	DIGI TRANSISTOR		
Q953	2SD2264/R-T	TRANSISTOR		
D700	1SS133-T2	SI DIODE		
D701	1SS133-T2	SI DIODE		
D803	1SS133-T2	SI DIODE		
D804	1SS133-T2	SI DIODE		
D805	1SS133-T2	SI DIODE		
D806	1SS133-T2	SI DIODE		
D821	204-10SUBC/A4UV	LED		
D822	204-10SUBC/A4UV	LED		
D823	SPR-325MVWL/-T	LED	GREEN-RED	only ver.J,C,UF
D825	SPR-325MVWL/-T	LED	GREEN-RED	
△ D901	DI106	BRIDGE DIODE		
△ D902	1F4-T2	FR DIODE		
△ D903	1F4-T2	FR DIODE		
△ D904	1SS244-T2	SI DIODE		
△ D951	1F4-T2	FR DIODE		
△ D952	1F4-T2	FR DIODE		
△ D953	UF304G-F82	DIODE		
△ D954	1F4-T2	FR DIODE		
△ D955	PS154R-F83	DIODE		
D956	1F4-T2	FR DIODE		
D957	1F4-T2	FR DIODE		
D960	MTZJ2.0B-T2	Z DIODE		
PC901	PC123Y22	IC(PHOTO COUPLER)		
C654	NCB31HK-471X	C CAPACITOR	470pF 50V K	only XV-N55SL for Europe
C655	NCB31HK-471X	C CAPACITOR	470pF 50V K	only XV-N55SL for Europe
C700	QFLC1HJ-104Z	M CAPACITOR	0.1uF 50V J	
C702	NCF31CZ-104X	C CAPACITOR	0.1uF 16V Z	
C703	NCB31CK-103X	C CAPACITOR	0.01uF 16V K	
C704	NCF31CZ-104X	C CAPACITOR	0.1uF 16V Z	
C705	NCS31HJ-331X	C CAPACITOR	330pF 50V J	
C706	QETN0JM-107Z	E CAPACITOR	100uF 6.3V M	
C707	NDC31HJ-101X	C CAPACITOR	100pF 50V J	
C709	NCB31CK-104X	C CAPACITOR	0.1uF 16V K	
C761	QTE1E28-476Z	E CAPACITOR	47uF 25V	only XV-N55SL for Europe
C762	QTE1E28-476Z	E CAPACITOR	47uF 25V	only XV-N55SL for Europe
C802	QETN1HM-475Z	E CAPACITOR	4.7uF 50V M	
C803	NCF31CZ-104X	C CAPACITOR	0.1uF 16V Z	
C804	QEK1HM-475Z	E CAPACITOR	4.7uF 50V M	
C805	NCF31CZ-104X	C CAPACITOR	0.1uF 16V Z	
C808	QETN1HM-475Z	E CAPACITOR	4.7uF 50V M	
C809	NCF21HZ-104X	C CAPACITOR	0.1uF 50V Z	
△ C902	QFZ9073-683	MM CAPACITOR	0.068uF AC250V M	
△ C904	QCZ9079-102	C CAPACITOR	1000pF AC250V M	
C906	QCZ9079-102	C CAPACITOR	1000pF AC250V M	
C907	QETM2DM-566	E CAPACITOR	56uF 200V M	only ver.J,C

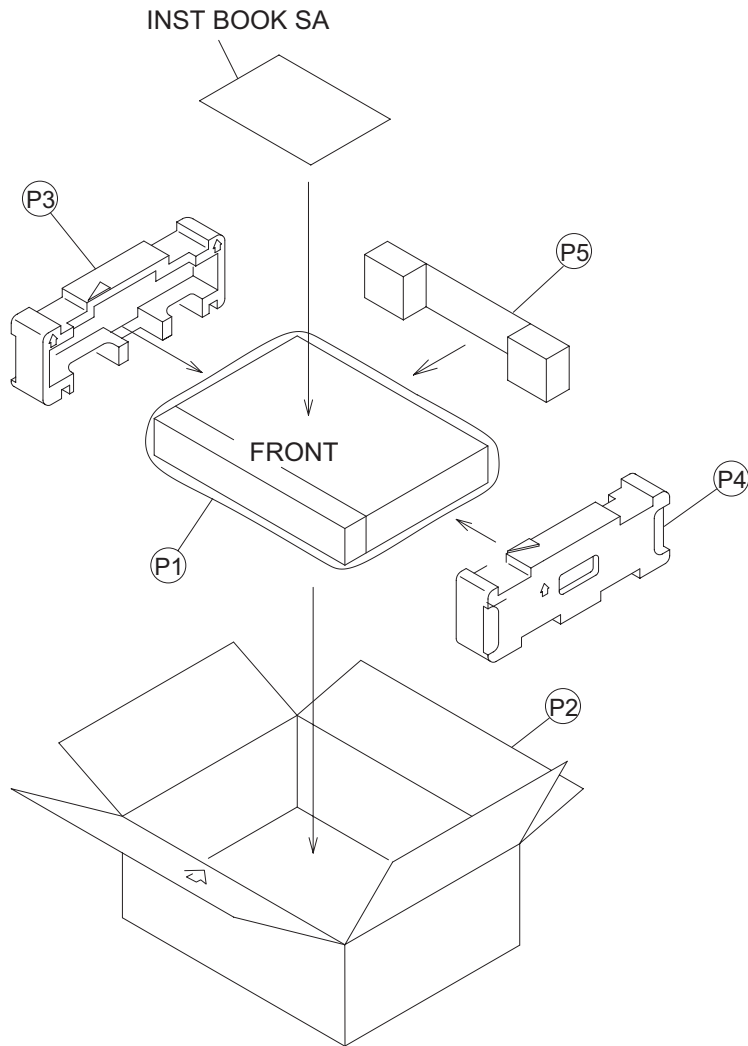
<Local area>
 XV-N50BK 50J:J 50C:C
 XV-N55SL 55J:J 55C:C 55B:B 55E:E 55EN:EN 55EV:EV 55EE:EE 55UF:UF

△ Symbol No.	Part No.	Part Name	Description	Local	△ Symbol No.	Part No.	Part Name	Description	Local
C907	QETM2GM-476	E CAPACITOR	47uF 400V M	except XV-N55SL for ver.J,C	R807	NRSA63J-103X	MG RESISTOR	10kΩ 1/16W J	
△ C908	QCZ0136-332Z	C CAPACITOR	3300pF 1kV K		R808	NRSA63J-103X	MG RESISTOR	10kΩ 1/16W J	
C913	QCZ0136-101Z	C CAPACITOR	100pF 1kV K	except XV-N55SL for ver.UF	R809	NRSA63J-103X	MG RESISTOR	10kΩ 1/16W J	
C913	QCZ0302-470Z	C CAPACITOR	47pF 1kV J	55UF	R811	NRSA63J-103X	MG RESISTOR	10kΩ 1/16W J	
C914	QEZ0598-226Z	E CAPACITOR	22uF		R812	NRSA63J-103X	MG RESISTOR	10kΩ 1/16W J	
C915	NCB31CK-104X	C CAPACITOR	0.1uF 16V K		R821	NRSA63J-121X	MG RESISTOR	120Ω 1/16W J	
△ C918	QFZ9073-683	MM CAPACITOR	0.068uF AC250V M		R822	NRSA63J-241X	MG RESISTOR	240Ω 1/16W J	
C950	QEZ0592-107Z	E CAPACITOR	100uF		R823	NRSA63J-101X	MG RESISTOR	100Ω 1/16W J	
C951	QETN1EM-226Z	E CAPACITOR	22uF 25V M		R824	NRSA63J-101X	MG RESISTOR	100Ω 1/16W J	only ver.J,C,UF
C952	QEZ0592-108Z	E CAPACITOR	1000uF		R825	NRSA63J-101X	MG RESISTOR	100Ω 1/16W J	only ver.J,C,UF
C953	QEZ0598-226Z	E CAPACITOR	22uF		R826	NRSA63J-121X	MG RESISTOR	120Ω 1/16W J	
C954	NCF31HZ-103X	C CAPACITOR	0.01uF 50V Z	except XV-N55SL for ver.UF	R827	NRSA63J-241X	MG RESISTOR	240Ω 1/16W J	
C954	NCF31CZ-104X	C CAPACITOR	0.1uF 16V Z	55UF	△ R901	QRL01DJ-683X	OMF RESISTOR	68kΩ 1W J	
C955	QETN0JM-107Z	E CAPACITOR	100uF 6.3V M		△ R903	QRE141J-221Y	C RESISTOR	220Ω 1/4W J	
C958	QEZ0529-477Z	E CAPACITOR	470uF 10V M		R906	QRE141J-274Y	C RESISTOR	270kΩ 1/4W J	
C959	QETN1AM-107Z	E CAPACITOR	100uF 10V M		△ R910	QRZ9037-335	COMPRESISTOR	3.3MΩ 1/2W K	
C960	NCF31AZ-105X	C CAPACITOR	1uF 10V Z		R912	QRE141J-103Y	C RESISTOR	10kΩ 1/4W J	
C963	QEZ0594-107Z	E CAPACITOR	100uF		R913	QRE141J-103Y	C RESISTOR	10kΩ 1/4W J	
C964	QEZ0594-107Z	E CAPACITOR	100uF		R915	QRE141J-103Y	C RESISTOR	10kΩ 1/4W J	
C965	QTE1E28-476Z	E CAPACITOR	47uF 25V	only XV-N55SL for Europe	R952	NRSA63J-103X	MG RESISTOR	10kΩ 1/16W J	
C965	QETN1CM-107Z	E CAPACITOR	100uF 16V M	only ver.J,C,UF	R953	NRSA63J-103X	MG RESISTOR	10kΩ 1/16W J	
C966	QTE1E28-476Z	E CAPACITOR	47uF 25V	only XV-N55SL for Europe	△ R954	QRZ9005-100X	F.RES I/M	10Ω	
C966	QETN1CM-107Z	E CAPACITOR	100uF 16V M	only ver.J,C,UF	R955	NRSA63J-223X	MG RESISTOR	22kΩ 1/16W J	
C967	QEZ0594-337Z	E CAPACITOR	330uF		R956	NRSA63J-103X	MG RESISTOR	10kΩ 1/16W J	
C969	NCF31CZ-224X	C CAPACITOR	0.22uF 16V Z		R960	NRSA63J-471X	MG RESISTOR	470Ω 1/16W J	
C971	NCS31HJ-471X	C CAPACITOR	470pF 50V J		R961	NRSA63J-103X	MG RESISTOR	10kΩ 1/16W J	
C972	NCB30JK-105X	C CAPACITOR	1uF 6.3V K		R962	NRSA63F-392X	MG RESISTOR	3.9kΩ 1/16W F	
C973	QETN0JM-107Z	E CAPACITOR	100uF 6.3V M		R964	NRSA63F-103X	MG RESISTOR	10kΩ 1/16W F	
C982	NCF31CZ-104X	C CAPACITOR	0.1uF 16V Z		R965	NRSA63J-224X	MG RESISTOR	220kΩ 1/16W J	
C988	QETN1CM-107Z	E CAPACITOR	100uF 16V M		R966	QRE141J-470Y	C RESISTOR	47Ω 1/4W J	
C993	NRSA63J-0R0X	MG RESISTOR	0Ω 1/16W J		R967	NRSA63J-103X	MG RESISTOR	10kΩ 1/16W J	
R651	NRSA63J-151X	MG RESISTOR	150Ω 1/16W J	only XV-N55SL for Europe	R968	NRSA63J-102X	MG RESISTOR	1kΩ 1/16W J	
R652	NRSA63J-0R0X	MG RESISTOR	0Ω 1/16W J	only XV-N55SL for Europe	L709	QQL231K-2R2Y	UCTOR I.M	2.2uH K	
R653	NRSA63J-151X	MG RESISTOR	150Ω 1/16W J	only XV-N55SL for Europe	△ L901	QQR0816-001	LINE FILTER		
R654	NRSA63J-0R0X	MG RESISTOR	0Ω 1/16W J	only XV-N55SL for Europe	L951	QQR1291-001Z	CHOKE COIL		
R658	NRSA63J-0R0X	MG RESISTOR	0Ω 1/16W J	only XV-N55SL for Europe	L952	QQR1291-001Z	CHOKE COIL		
R659	NRSA63J-0R0X	MG RESISTOR	0Ω 1/16W J	only XV-N55SL for Europe	L953	QQL531J-220Y	COIL	22uH J	
R670	NRSA63J-151X	MG RESISTOR	150Ω 1/16W J	only XV-N55SL for Europe	L954	QQL531J-220Y	COIL	22uH J	
R671	NRSA63J-182X	MG RESISTOR	1.8kΩ 1/16W J	only XV-N55SL for Europe	L955	QQR1291-001Z	CHOKE COIL		
R701	NRSA63J-103X	MG RESISTOR	10kΩ 1/16W J	only ver.J,C,UF	△ T901	QQS0197-001	SW TRANSF		
R702	NRSA63J-103X	MG RESISTOR	10kΩ 1/16W J		CN651	QGF1201C3-13	CONNECTOR	FFC/FPC (1-13)	only XV-N55SL for Europe
R703	NRSA63J-103X	MG RESISTOR	10kΩ 1/16W J		CN801	QGF1201C3-14	CONNECTOR	FFC/FPC (1-14)	
R705	NRSA63J-103X	MG RESISTOR	10kΩ 1/16W J		CN802	QGF1016F3-11	CONNECTOR	FFC/FPC (1-11)	
R706	NRSA63J-102X	MG RESISTOR	1kΩ 1/16W J		CN852	QGF1016F3-11	CONNECTOR	FFC/FPC (1-11)	
R707	NRSA63J-103X	MG RESISTOR	10kΩ 1/16W J	except XV-N55SL for ver.J,C	CN901	QGF1201C3-14	CONNECTOR	FFC/FPC (1-14)	
R708	NRSA63J-103X	MG RESISTOR	10kΩ 1/16W J		CN902	QGD2504C1-04Z	CONNECTOR	(1-4)	
R710	NRSA63J-103X	MG RESISTOR	10kΩ 1/16W J	only ver.J,C,UF	CN903	QGD2504C1-05Z	CONNECTOR	(1-5)	
R711	NRSA63J-103X	MG RESISTOR	10kΩ 1/16W J		CN904	QGF1201C3-13	CONNECTOR	FFC/FPC (1-13)	
R712	NRSA63J-103X	MG RESISTOR	10kΩ 1/16W J		△ CP951	ICP-N10-T	IC PROTECTOR	400mA	
R713	NRSA63J-101X	MG RESISTOR	100Ω 1/16W J		DJ801	QLF0118-001	FL TUBE		
R715	NRSA63J-101X	MG RESISTOR	100Ω 1/16W J		EP910	E409182-001SM	GRAND TERMINAL		
R720	NRSA63J-472X	MG RESISTOR	4.7kΩ 1/16W J		EP951	QNZ0136-001Z	EARTH PLATE		
R775	NRSA63J-561X	MG RESISTOR	560Ω 1/16W J	only XV-N55SL for Europe	EP952	QNZ0136-001Z	EARTH PLATE		
R776	NRSA63J-561X	MG RESISTOR	560Ω 1/16W J	only XV-N55SL for Europe	EP953	QNZ0136-001Z	EARTH PLATE		
R777	NRSA63J-562X	MG RESISTOR	5.6kΩ 1/16W J	only XV-N55SL for Europe	FC901	QNG0003-001Z	FUSE CLIP		
R778	NRSA63J-562X	MG RESISTOR	5.6kΩ 1/16W J	only XV-N55SL for Europe	FC902	QNG0003-001Z	FUSE CLIP		
R779	NRSA63J-103X	MG RESISTOR	10kΩ 1/16W J	only XV-N55SL for Europe	FL901	LE40845-001A	FUSE LABEL		only XV-N55SL for Europe
R780	NRSA63J-103X	MG RESISTOR	10kΩ 1/16W J	only XV-N55SL for Europe	J603	QNZ0610-001	RGB CONNECTOR		only XV-N55SL for Europe
R802	NRSA63J-101X	MG RESISTOR	100Ω 1/16W J		J702	QNS0221-001	3.5 JACK		
R804	NRSA63J-104X	MG RESISTOR	100kΩ 1/16W J		P901	QGA7901C1-02	CONNECTOR	W-B (1-2)	
					S801	QSW0651-001Z	TACT SWITCH		
					S802	QSW0651-001Z	TACT SWITCH		
					S803	QSW0651-001Z	TACT SWITCH		
					S804	QSW0651-001Z	TACT SWITCH		
					S805	QSW0651-001Z	TACT SWITCH		
					S806	QSW0651-001Z	TACT SWITCH		
					S807	QSW0651-001Z	TACT SWITCH		
					S901	QSW0454-001	SW		except XV-N55SL for ver.J,C
					S902	QSW0986-001	SLIDE SWITCH		only ver.J,C,UF
					X701	QAX0756-001Z	C OSCILLATOR		
					OT1	GN30006-020A	SPACER		except XV-N55SL for ver.UF

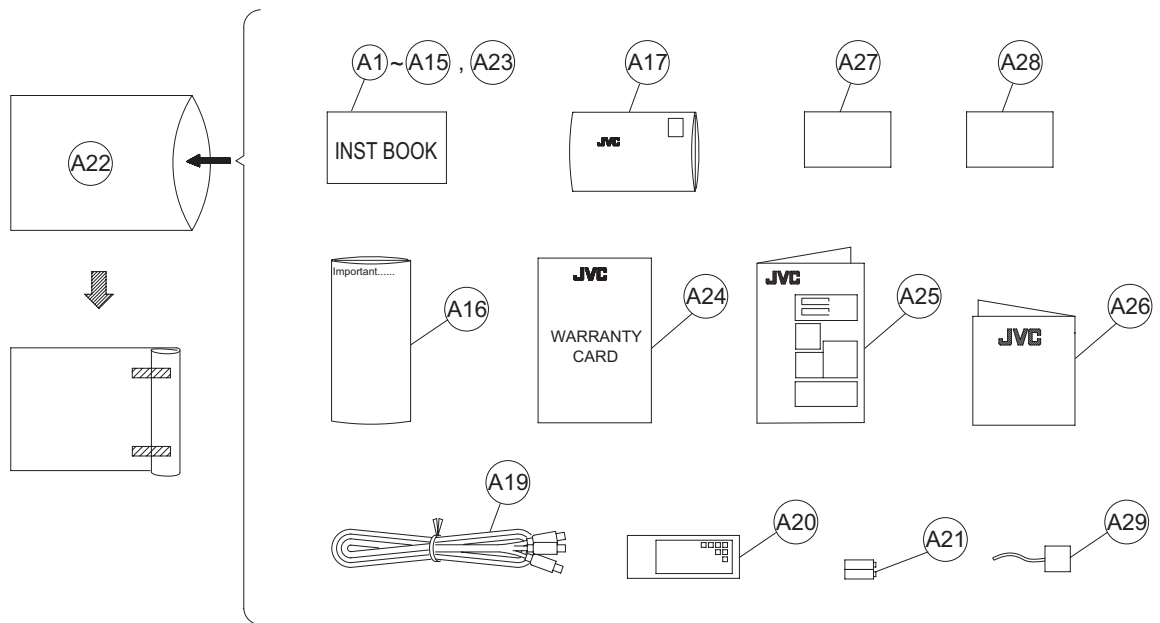
△ Symbol No.	Part No.	Part Name	Description	Local
OT2	GN30006-021A	SPACER		except XV-N55SL for ver.UF
OT3	E3400-431	SPACER	(x2)	
OT4	GN30006-016A	SPACER		55UF
OT5	GN30006-017A	SPACER		55UF

PACKING MATERIALS AND ACCESSORIES PARTS LIST

Block No.M4MM



INST BOOK SA



PACKING AND ACCESSORIES

Block No. [M][4][M][M]

△ Symbol No.	Part No.	Part Name	Description	Local
A 1	LET0230-001A	INST BOOK		50J,55J
A 2	LET0230-002A	INST BOOK		50C,55C
A 3	LET0230-004A	INST BOOK		55B
A 4	LET0230-005A	INST BOOK		55E,55EN
A 5	LET0230-006A	INST BOOK		55E,55EN
A 6	LET0230-007A	INST BOOK		55E
A 7	LET0230-008A	INST BOOK		55EN
A 8	LET0230-009A	INST BOOK		55EN
A 9	LET0230-010A	INST BOOK		55EN
A10	LET0230-011A	INST BOOK		55EN
A11	LET0230-012A	INST BOOK		55EN
A12	LET0230-013A	INST BOOK		55EE
A13	LET0230-014A	INST BOOK		55EV
A14	LET0230-015A	INST BOOK		55EV
A15	LET0230-016A	INST BOOK		55EV
A16	YU20333	SAFETY INST.		only ver.J,C
A17	BT-51028-2	J=REGIST CARD		50J,55J
A19	QAM0328-001	AV CORD 3P		
A20	RM-SXV038J	REMOCON UNIT		50C,50J
A20	RM-SXV040E	REMOCON UNIT		only XV-N55SL for Europe
A20	RM-SXV039J	REMOCON UNIT		55C,55J
A20	RM-SXV055U	REMOCON UNIT		55UF
A21	-----	BATTERY	(x2)	
A22	QPC02504015P	POLY BAG	25cm x 40cm	
A23	LET0230-003A	INST BOOK		55UF
A24	BT-52006-2	WARRANTY CARD		50C,55C
A24	BT-54008-4	WARRANTY CARD		55B,55E,55EN
A24	BT-59007-2	WARRANTY CARD		55UF
A25	BT-54012-3	W.CARD		55EE,55EV
A26	VNA3000-204	REGIST.CARD		55B
A27	LE40932-003A	CUSTOM PARTS		only XV-N55SL for Europe
A27	LE40932-002A	CUSTOM PARTS		only ver.J,C
A28	BT-59009-1	SVC CENTER LIST		55UF
A29	E310162-001	CERTIFICATE TAG		55UF
P 1	QPC06005515P	POLY BAG	60cm x 55cm	
P 2	GN10046-001A	PACKING CASE		50C,50J
P 2	GN10046-003A	PACKING CASE		55B
P 2	GN10046-005A	PACKING CASE		55EE
P 2	GN10046-004A	PACKING CASE		55E,55EN,55EV
P 2	GN10046-002A	PACKING CASE		55C,55J
P 2	GN10046-012A	PACKING CASE		55UF
P 3	GN20067-001A	PACKING PAD(L)		only XV-N55SL for Europe
P 3	GN20065-001A	PACKING PAD(L)		only ver.J,C
P 3	GN20069-001A	PACKING PAD(L)		55UF
P 4	GN20068-001A	PACKING PAD(R)		only XV-N55SL for Europe
P 4	GN20066-001A	PACKING PAD(R)		only ver.J,C
P 4	GN20070-001A	PACKING PAD(R)		55UF
P 5	GN30068-001A	SHEET ASSY		55B

<Local area>

XV-N50BK 50J:J 50C:C

XV-N55SL 55J:J 55C:C 55B:B 55E:E 55EN:EN 55EV:EV 55EE:EE 55UF:UF