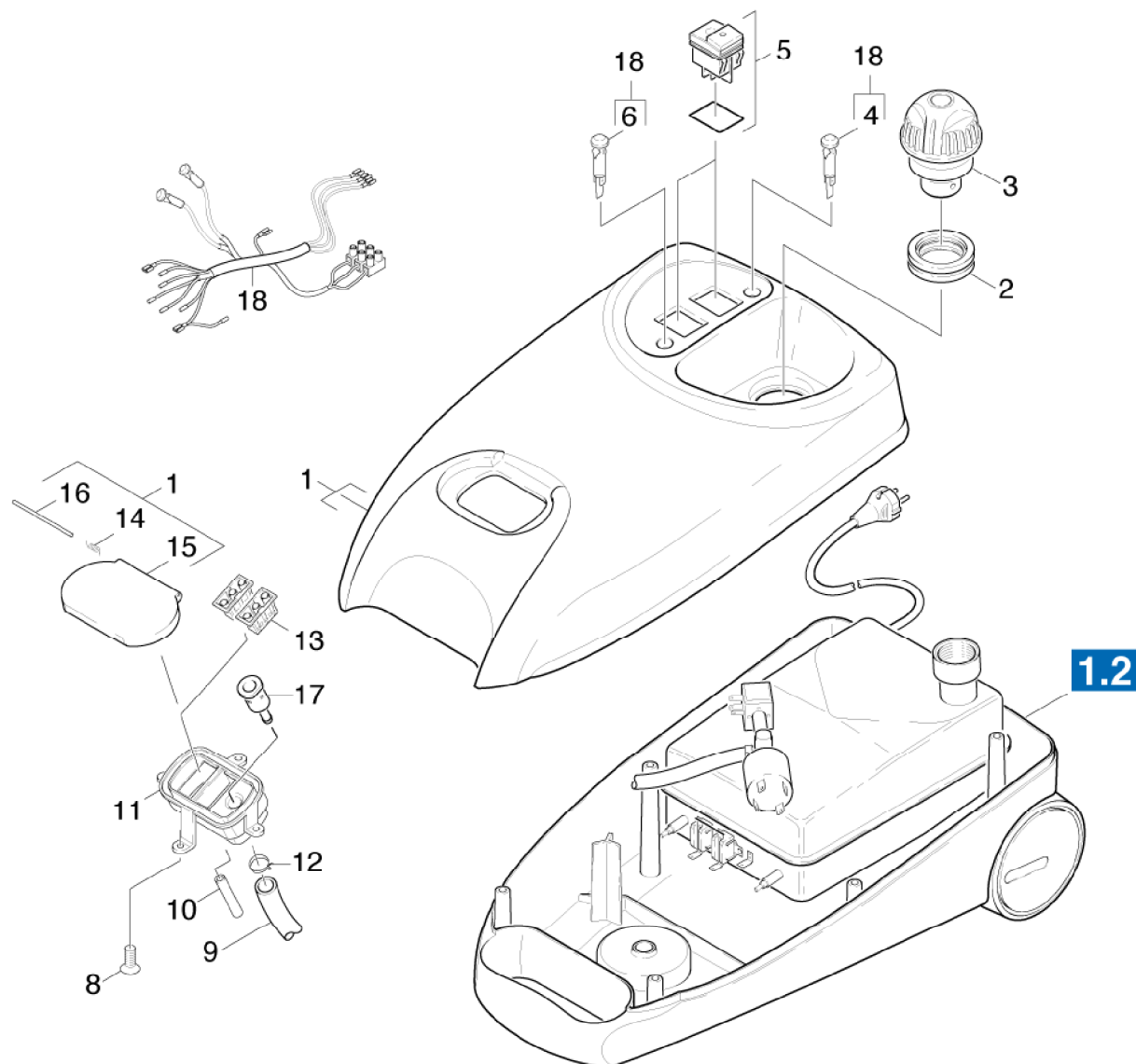
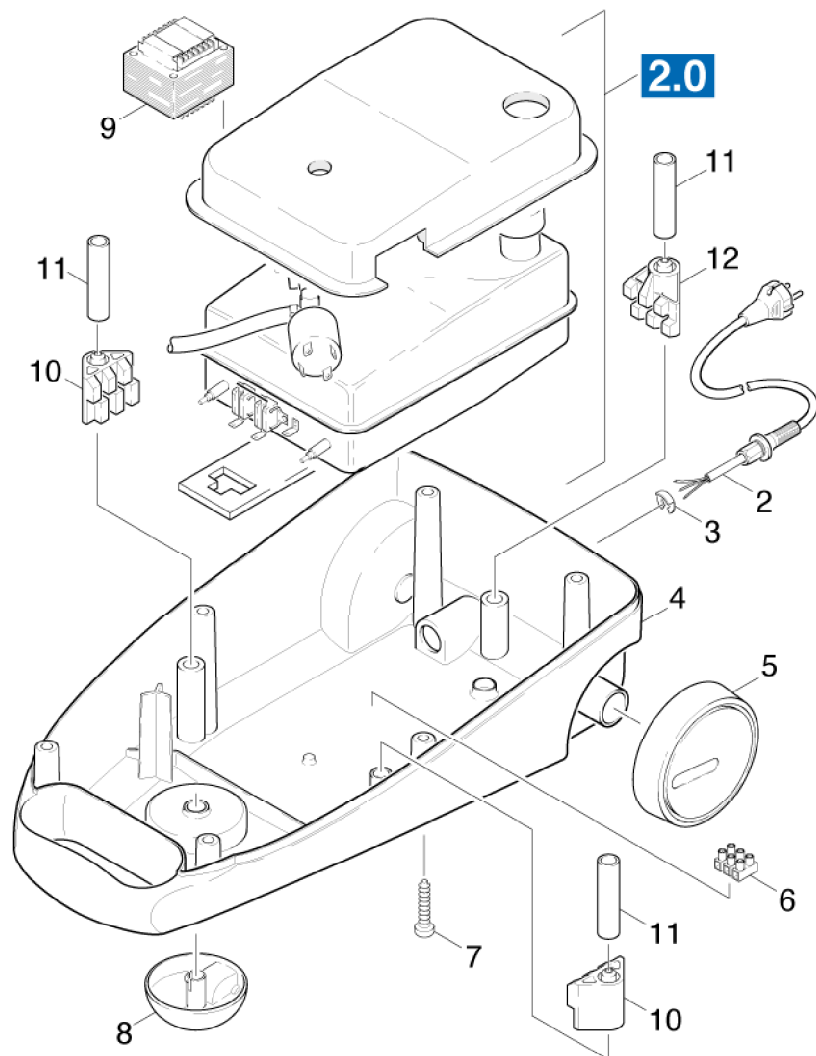


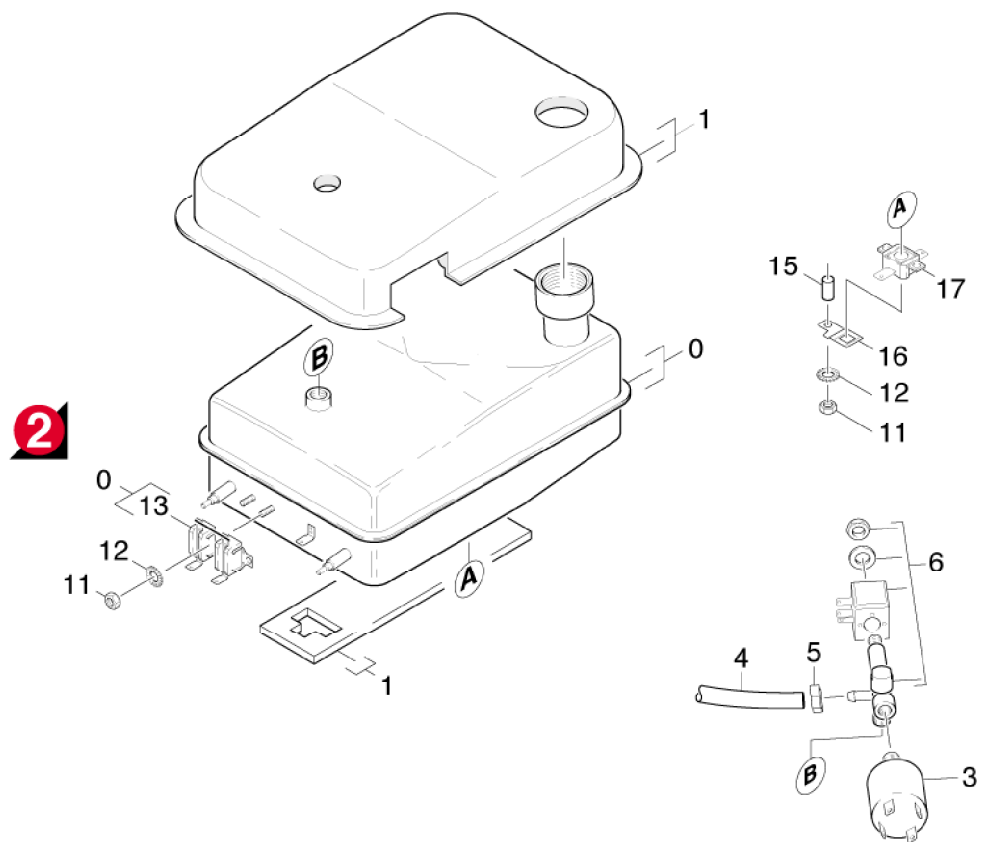
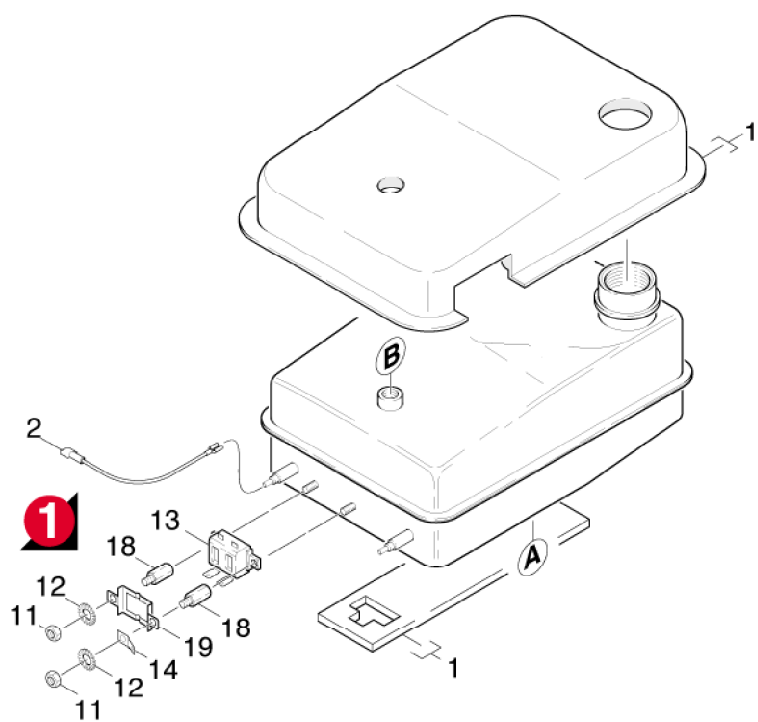
1.1 COUVERCLE (PARTIE SUP.)



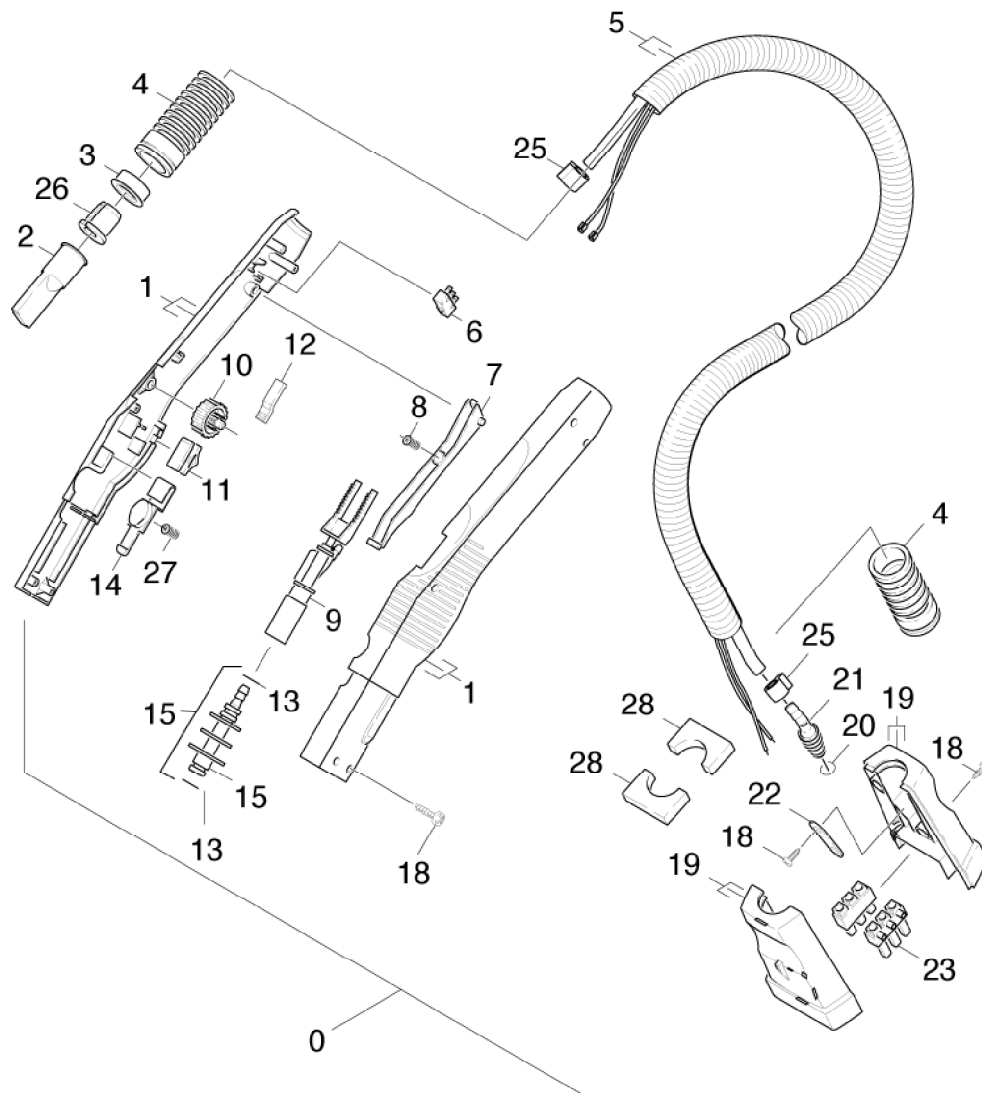
1.2 COUVERCLE (PARTIE INF.)



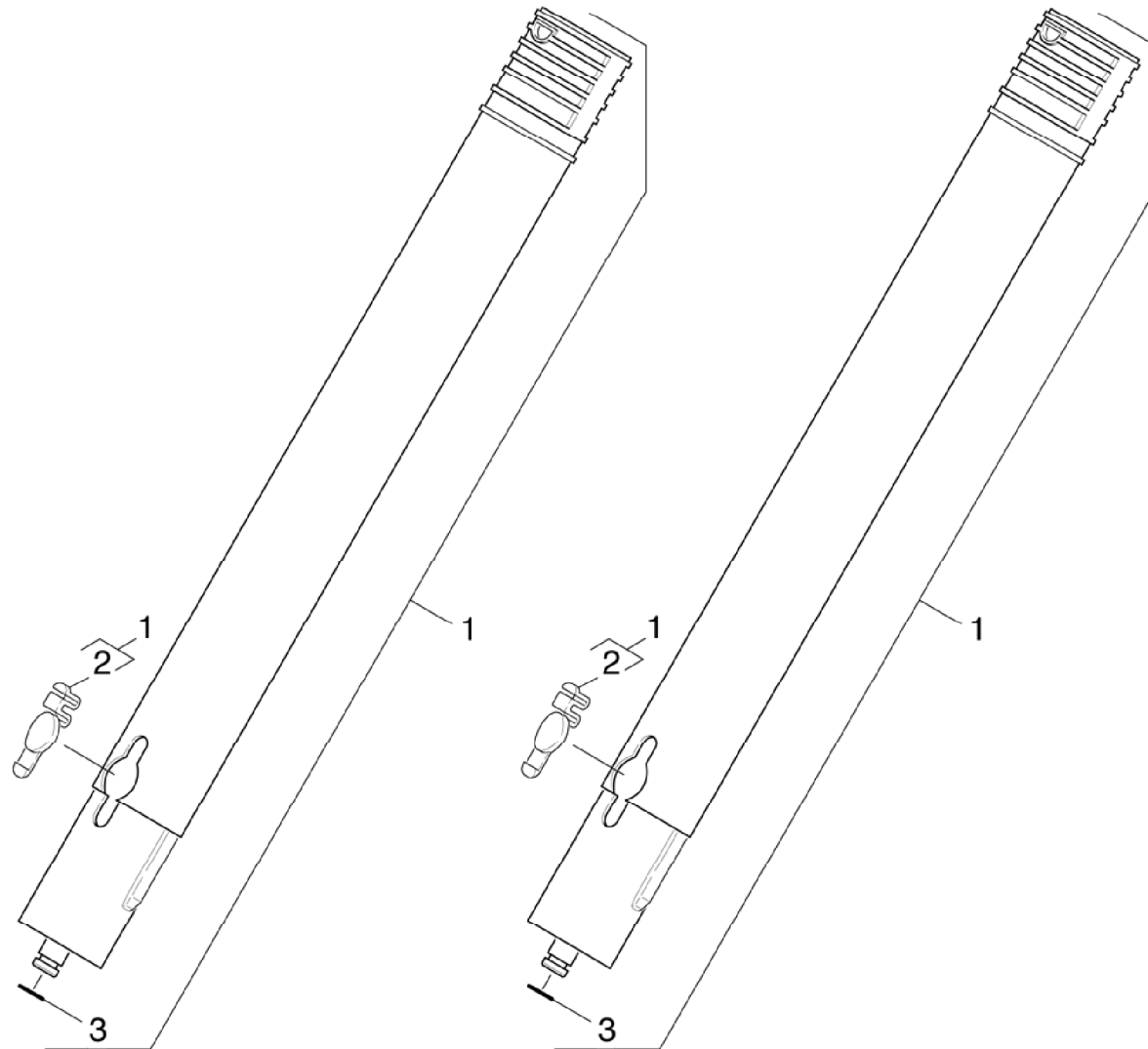
2.0 VAPORIGENE



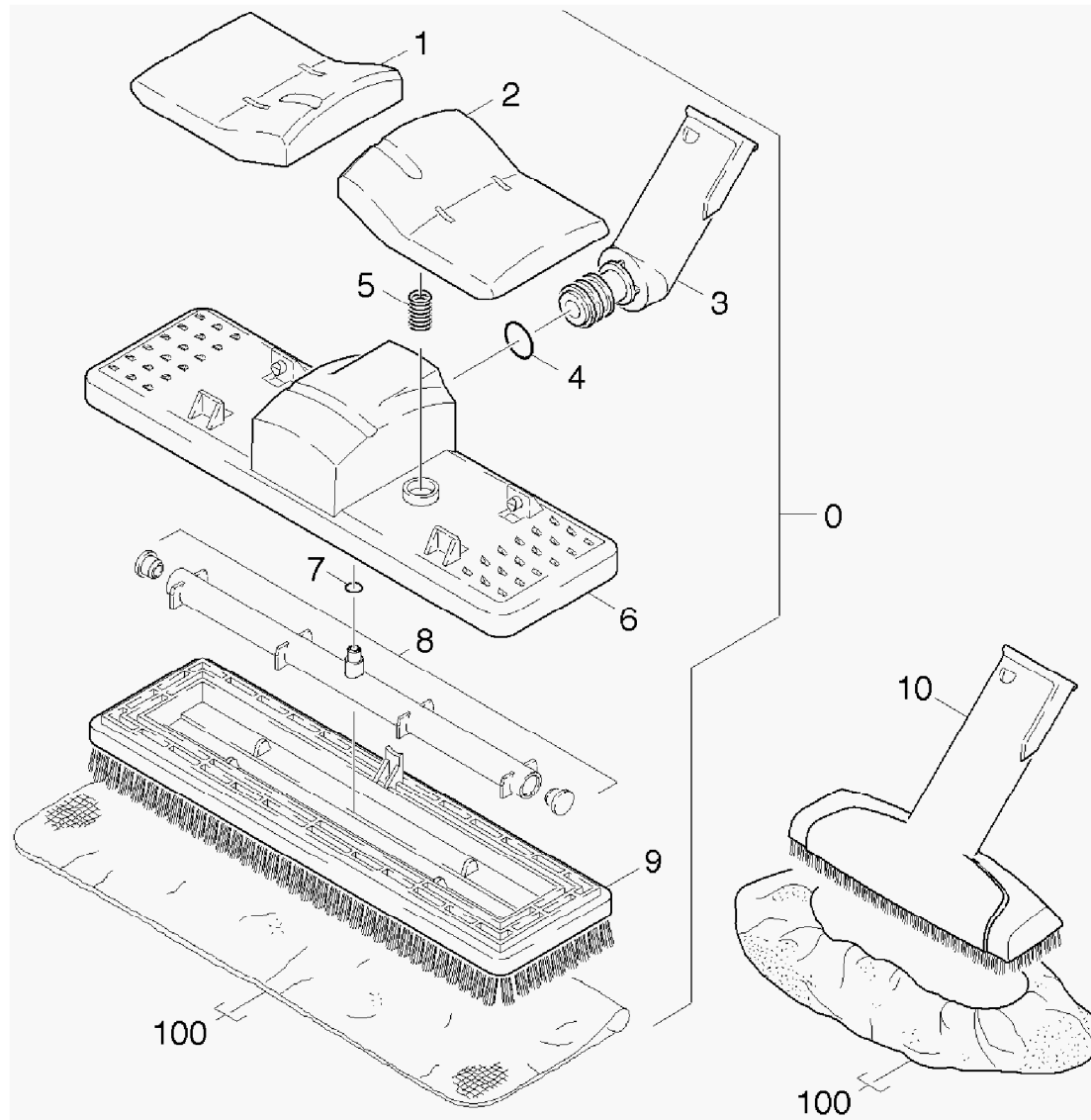
3.0 TUYAU FLEXIBLE (VAPEUR)



4.0 TUBULURE



5.0 BROSSES



9.2 FER A REPASSER

VERSION 2

