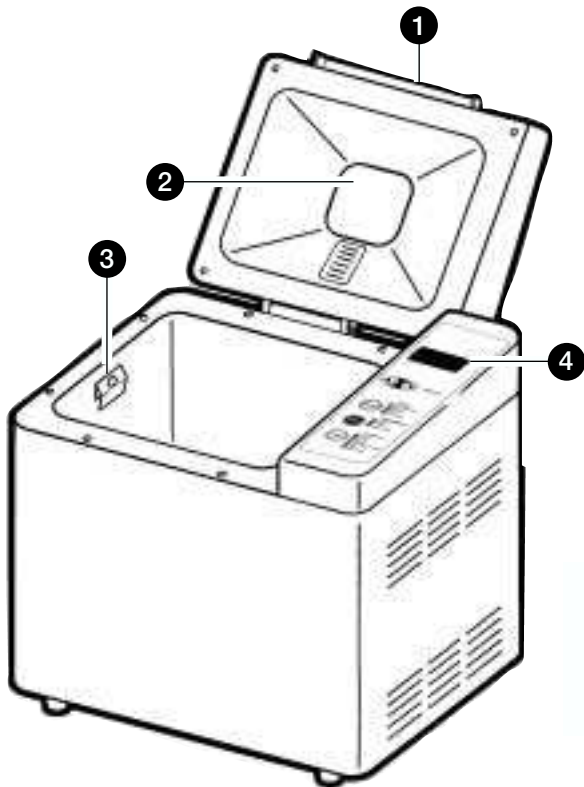
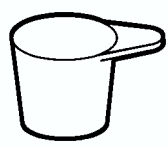


**YOUR KENWOOD BREADMAKER**



- 1. Oven Lid Handle
- 2. Viewing Window
- 3. Locking Clip
- 4. Control Panel
- 5. Alignment Marks
- 6. Locking Clip Location
- 7. Heater Element
- 8. Bread Pan Handle
- 9. Kneader
- 10. Drive Shaft
- 11. Drive Coupling

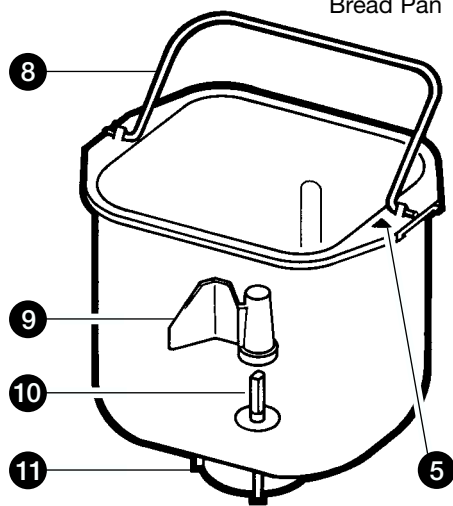
Measuring Cup



Measuring Spoon



Bread Pan



Oven Inside – Top View

