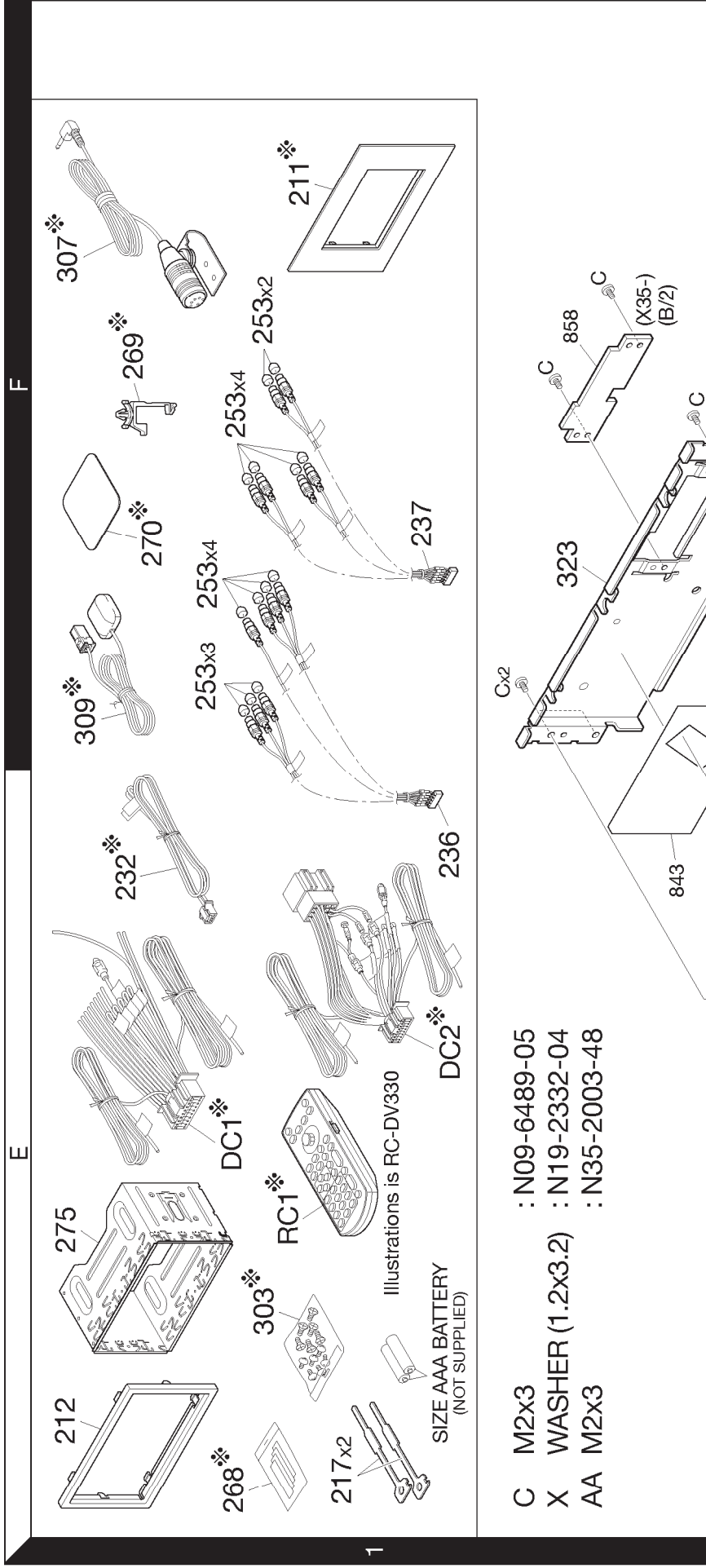


EXPLODED VIEW (PANEL)



- C M2x3 : N09-6489-05
- X WASHER (1.2x3.2) : N19-2332-04
- AA M2x3 : N35-2003-48