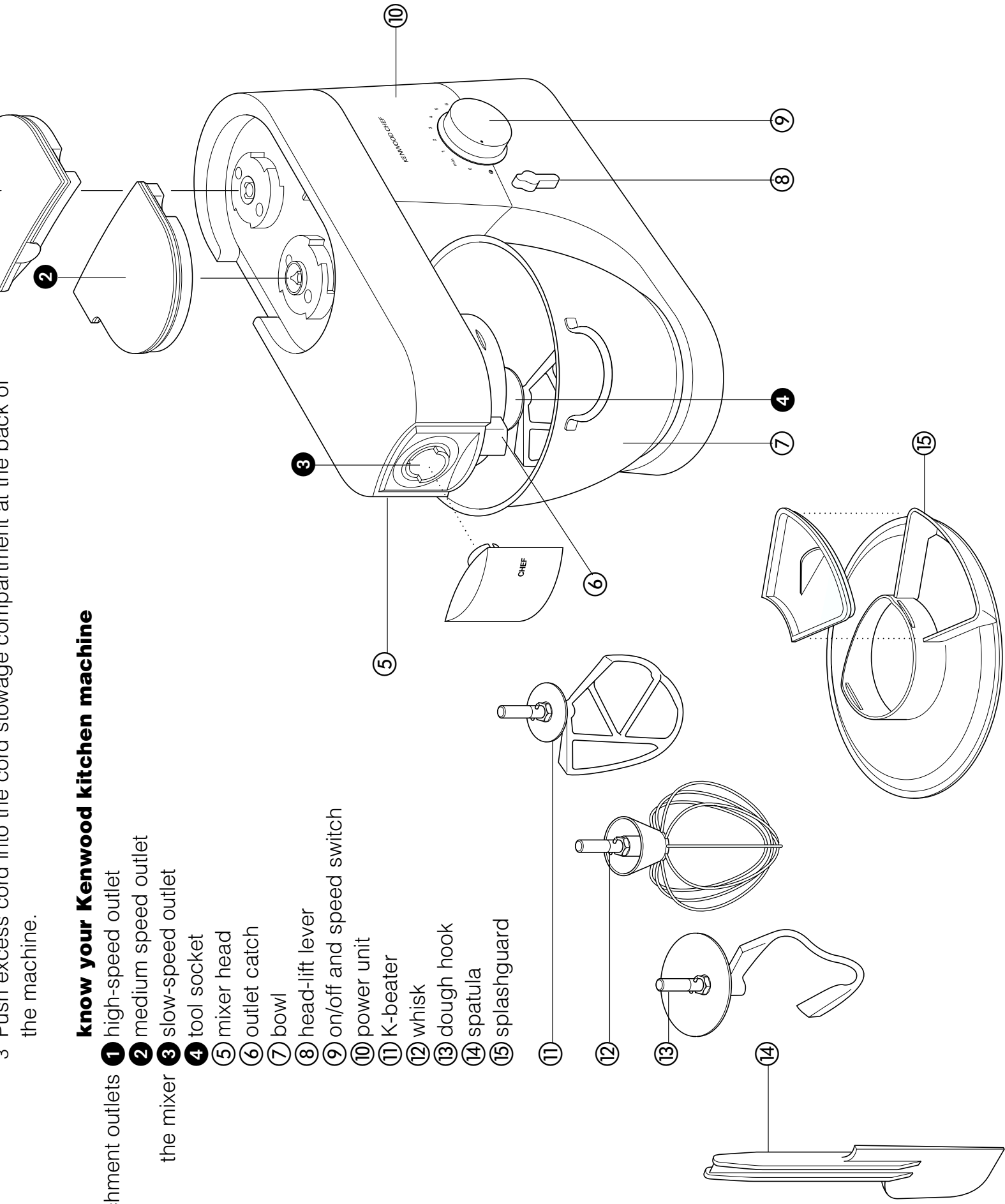
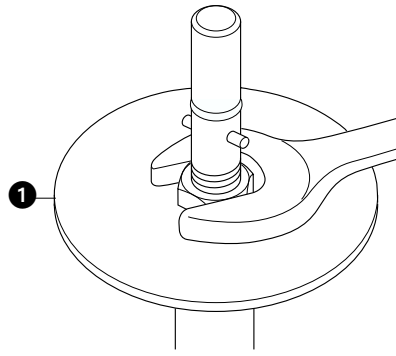


3. Push excess cord into the cord storage compartment at the back of the machine.

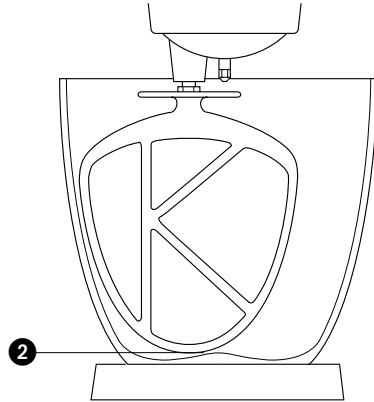
### know your Kenwood kitchen machine

- 1 high-speed outlet
- 2 medium speed outlet
- 3 slow-speed outlet
- 4 tool socket
- 5 mixer head
- 6 outlet catch
- 7 bowl
- 8 head-lift lever
- 9 on/off and speed switch
- 10 power unit
- 11 K-beater
- 12 whisk
- 13 dough hook
- 14 spatula
- 15 splashguard

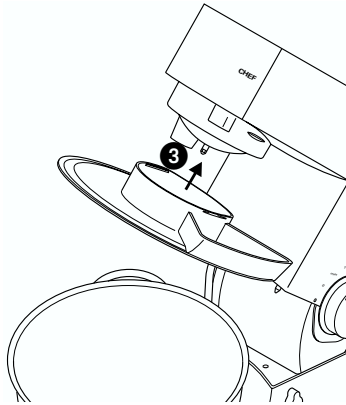




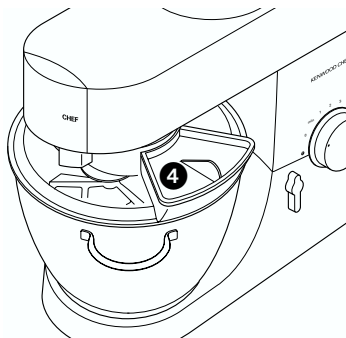
uld



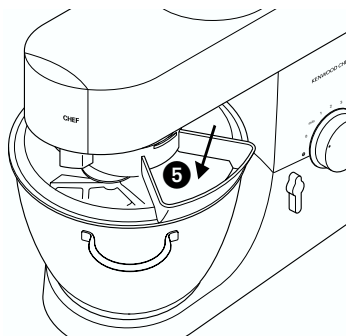
re

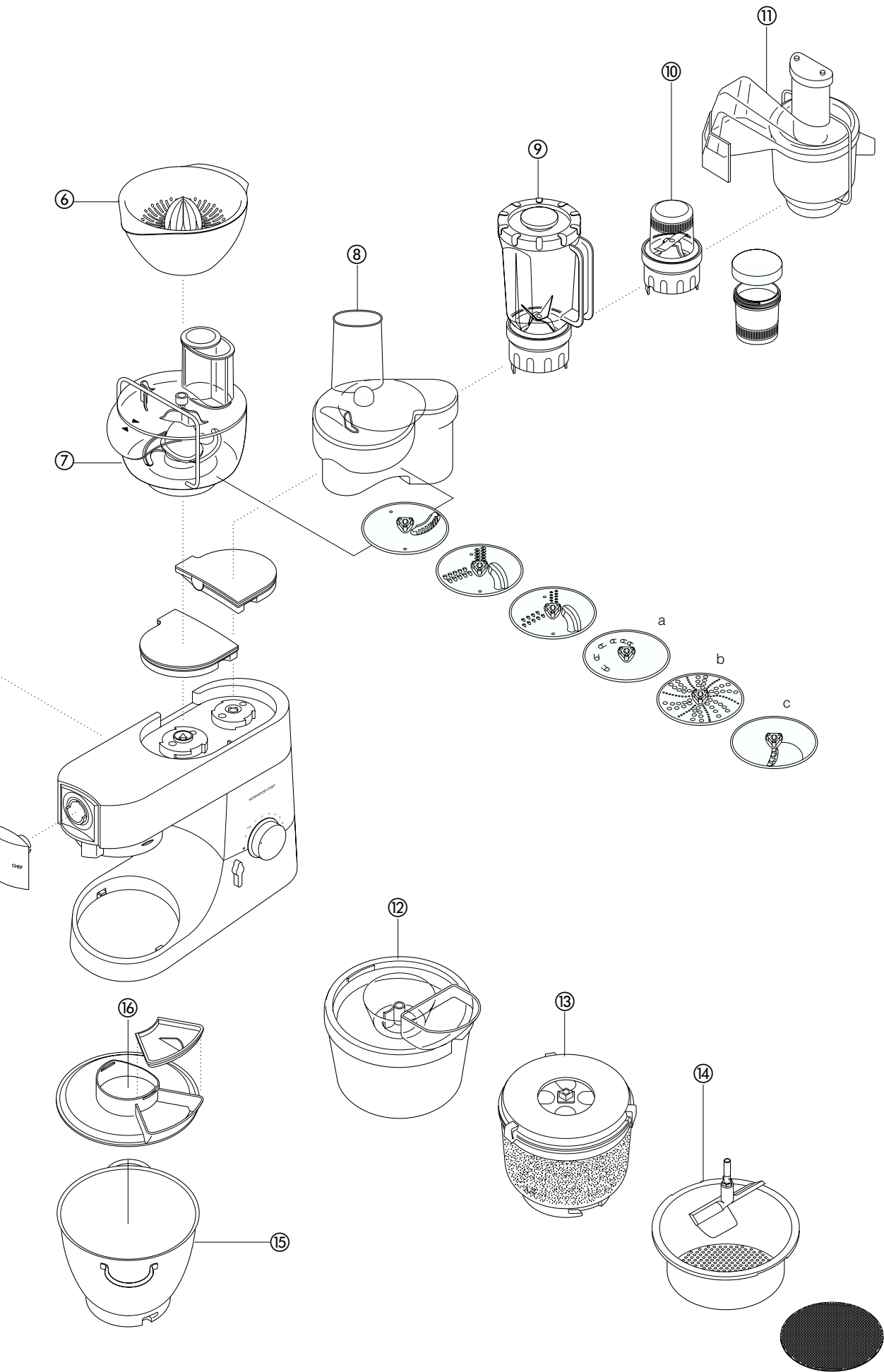


l



m.





**flat pasta maker** ① **A970**

additional pasta attachments **A971** tagliatelle  
(not shown) used in conjunction **A972** tagliolini  
with A970 **A973** trenette  
**A974** spaghetti

**pasta maker** ② **A936** comes with 6 screens

**slow speed slicer/shredder** ③ **A948** comes with 4 drums

**super mincer** ④ **A950** comes with

- a large sausage nozzle
- b small sausage nozzle
- c kebbe maker

**grain mill** ⑤ **A941**

**citrus juicer** ⑥ **A960**

**food processing attachment** ⑦ **A980** includes 3 cutting plates as standard and a knife blade

**high speed slicer/shredder** ⑧ **A998** includes 3 cutting plates as standard

optional plates for A980 & A998 a extra coarse shredder **part number 639021**

b rasping plate **part number 639150**

c standard chipper **part number 639083**

**liquidiser** ⑨ 1.2 l acrylic **A993A**, 1.2 l glass **A994A**,  
1.5 l stainless steel **A996A**

**multi-mill** ⑩ **A938A** comes with 3 glass jars and 3 lids for storage

**continuous juice extractor** ⑪ **A935**

**ice-cream maker** ⑫ CHEF **A956**, MAJOR **A957**

**potato peeler** ⑬ CHEF **A934**, MAJOR **A952**

**colander and sieve** ⑭ CHEF **A992**, MAJOR **A930**

**stainless steel bowls** ⑮ polished: CHEF **672487**, MAJOR **672499**

splashguard ⑯ CHEF & MAJOR **672475**

**cover** ⑰ CHEF, **672504**, MAJOR **672516**

