

know your Kenwood kitchen machine

safety

- Switch off and unplug before fitting or removing tools/attachments, after use and before cleaning.
- This machine is not intended for use by young children or infirm persons without supervision.
- Keep your fingers away from moving parts and fitted attachments.
- Never leave the machine on unattended.
- Never use a damaged machine. Get it checked or repaired: see 'service', page 38.
- Never use an unauthorised attachment or more than one attachment at once.
- Never exceed the maximum capacities on page 34.
- Don't let children play with this machine.
- When using an attachment, read the safety instructions that come with it.
- Only use this machine for its intended domestic use.
- Take care when lifting this appliance as it is heavy. Ensure the head is locked and that the bowl, tools, outlet covers and cord are secure before lifting.

before plugging in

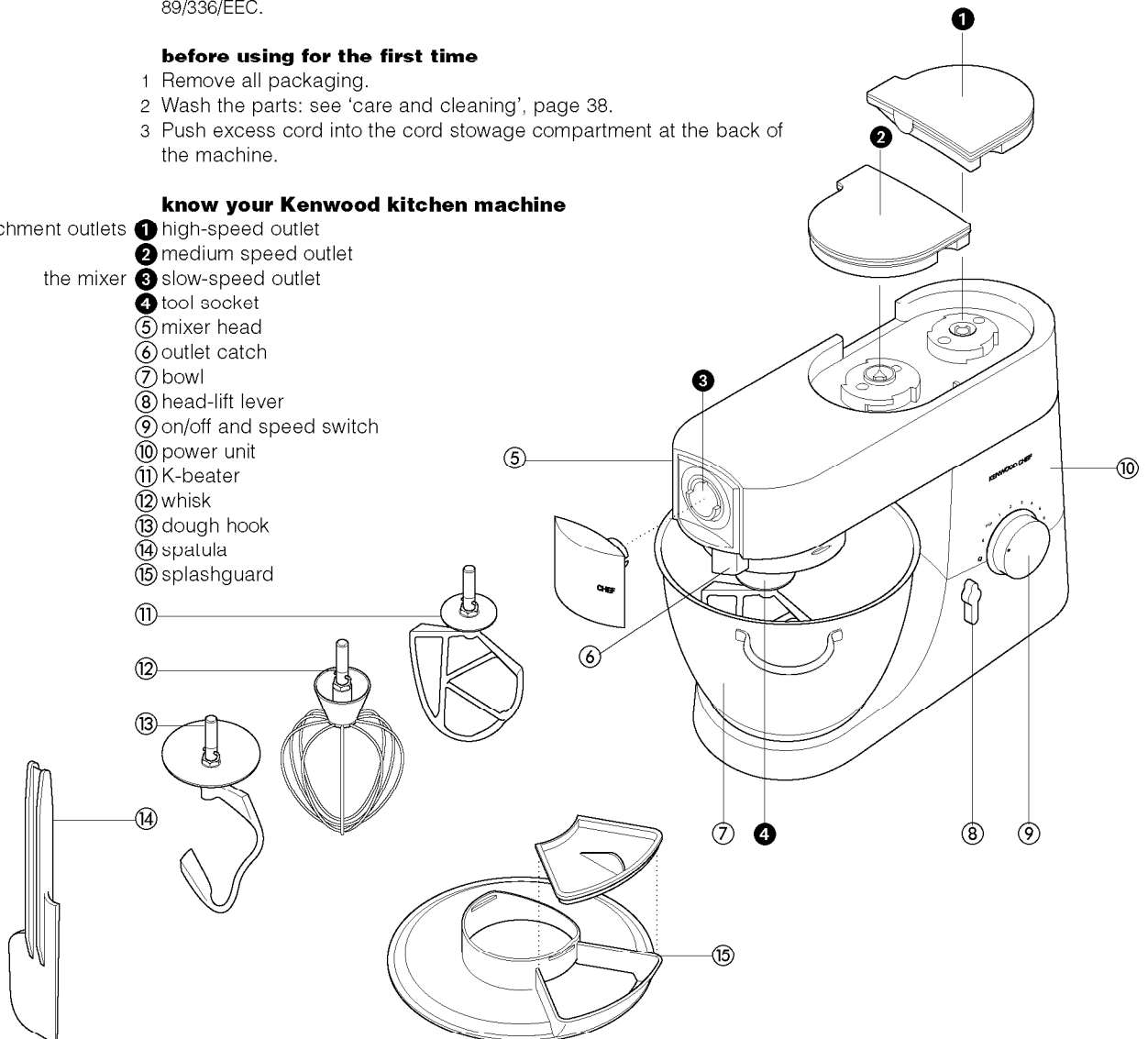
- important - UK only
- Make sure your electricity supply is the same as the one shown on the underside of your machine.
 - The wires in the cord are coloured as follows:
Blue = Neutral, Brown = Live.
 - This machine complies with European Economic Community Directive 89/336/EEC.

before using for the first time

- 1 Remove all packaging.
- 2 Wash the parts: see 'care and cleaning', page 38.
- 3 Push excess cord into the cord storage compartment at the back of the machine.

know your Kenwood kitchen machine

- attachment outlets
- 1 high-speed outlet
 - 2 medium speed outlet
 - 3 slow-speed outlet
 - 4 tool socket
 - 5 mixer head
 - 6 outlet catch
 - 7 bowl
 - 8 head-lift lever
 - 9 on/off and speed switch
 - 10 power unit
 - 11 K-beater
 - 12 whisk
 - 13 dough hook
 - 14 spatula
 - 15 splashguard



the **attachments** available

To buy an attachment not included in your pack, call your KENWOOD repairer.

attachment attachment code

- flat pasta maker** ① **A970**
- additional pasta attachments (not shown) used in conjunction with A970
 - A971** tagliatelle
 - A972** tagliolini
 - A973** trenette
 - A974** spaghetti
- pasta maker** ② **A936** comes with 6 screens
- slow speed slicer/shredder** ③ **A948** comes with 4 drums
- super mincer** ④ **A950** comes with
 - a large sausage nozzle
 - b small sausage nozzle
 - c kebbe maker
- grain mill** ⑤ **A941**
- citrus juicer** ⑥ **A960**
- food processing attachment** ⑦ **A980** includes 3 cutting plates as standard and a knife blade
- high speed slicer/shredder** ⑧ **A998** includes 3 cutting plates as standard
 - a extra coarse shredder **part number 639021**
 - b rasping plate **part number 639150**
 - c standard chipper **part number 639083**
- liquidiser** ⑨ 1.2 l acrylic **A993A**, 1.2 l glass **A994A**, 1.5 l stainless steel **A996A**
- multi-mill** ⑩ **A938A** comes with 3 glass jars and 3 lids for storage
- continuous juice extractor** ⑪ **A935**
- ice-cream maker** ⑫ CHEF **A956**, MAJOR **A957**
- potato peeler** ⑬ CHEF **A934**, MAJOR **A952**
- colander and sieve** ⑭ CHEF **A992**, MAJOR **A930**
- stainless steel bowls** ⑮ polished: CHEF **672487**, MAJOR **672499**
- splashguard ⑯ CHEF & MAJOR **672475**
- cover** ⑰ CHEF, **672504**, MAJOR **672516**

