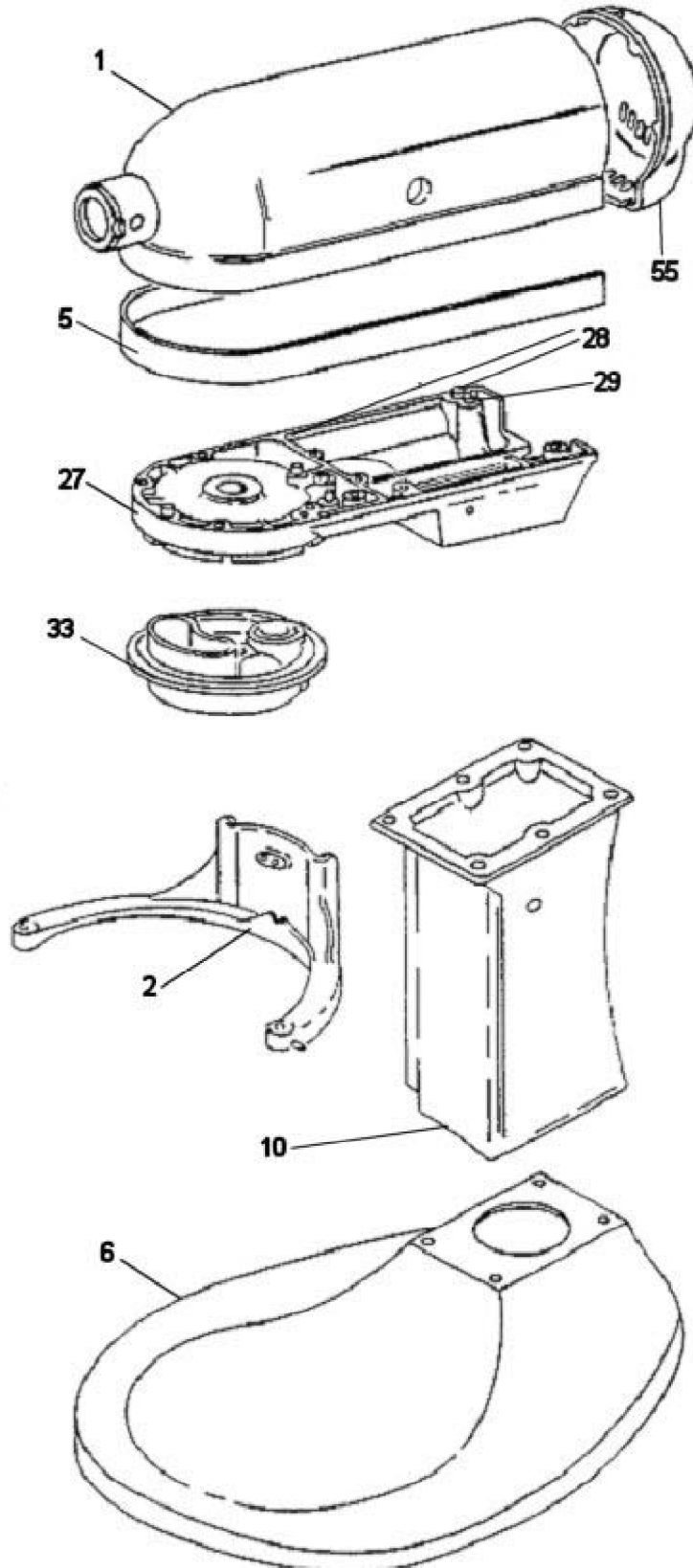
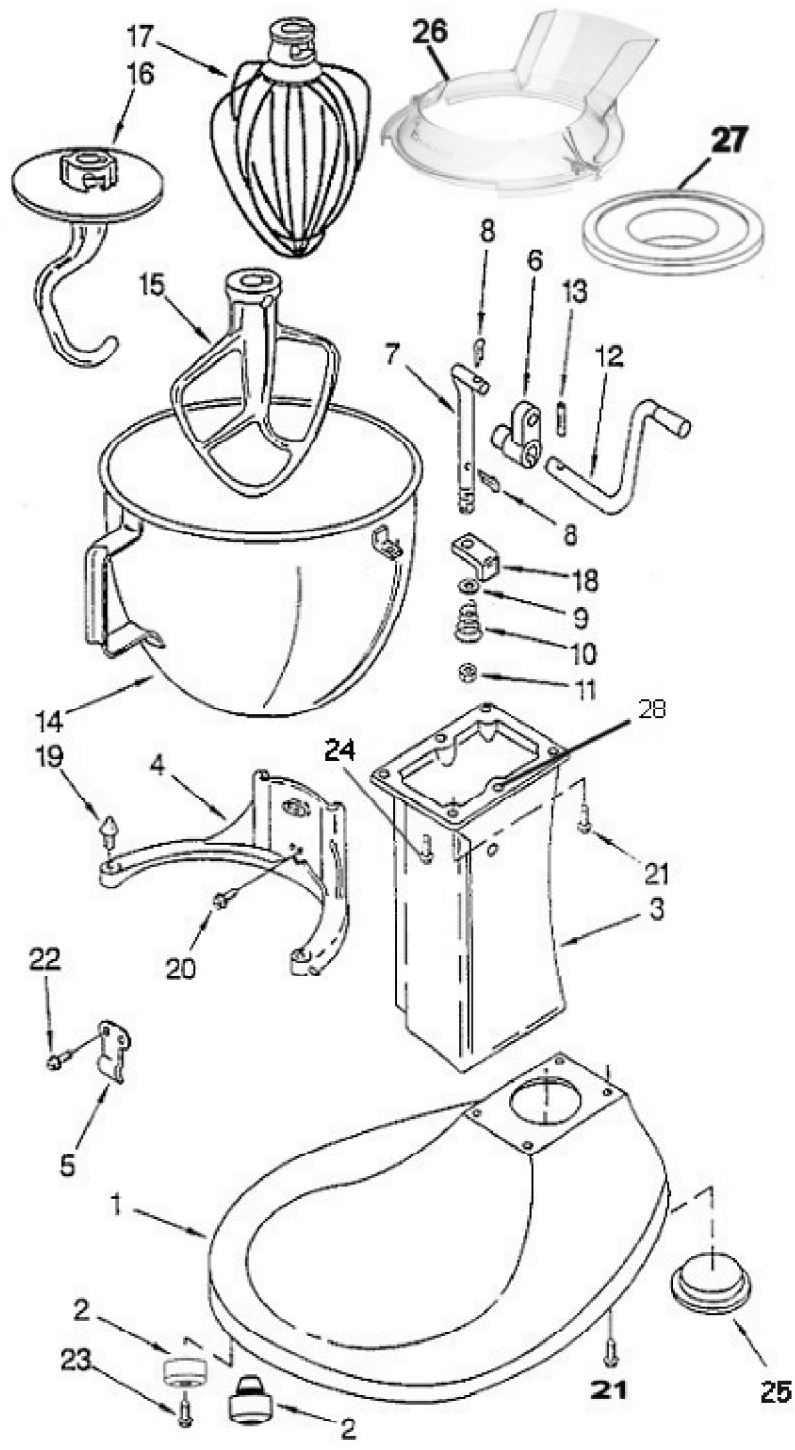


COLOR VARIATION PARTS

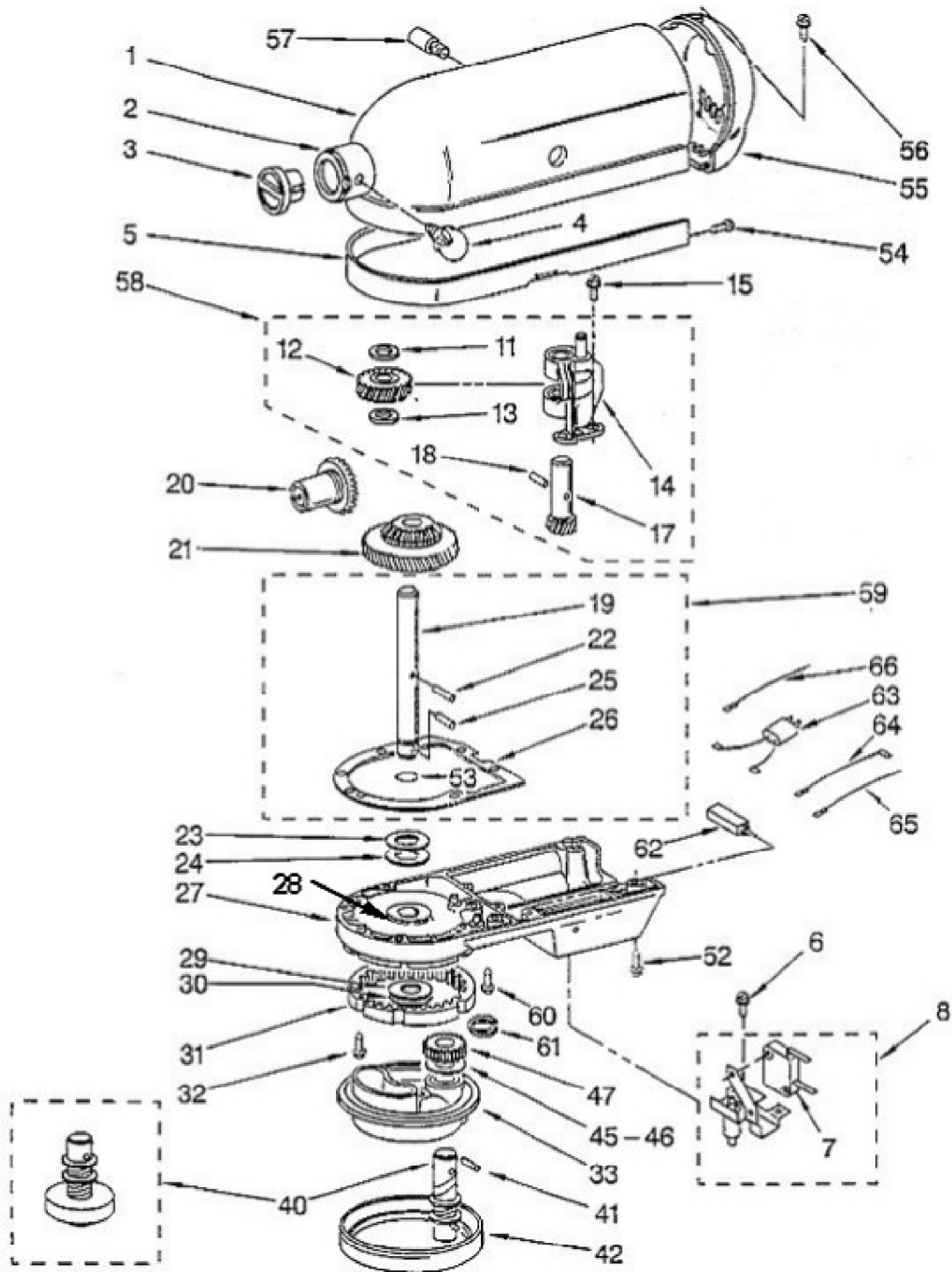


Base and Pedestal Unit



K5 - 2

CASE, GEARING AND PLANETARY UNIT



Motor and Control Parts

