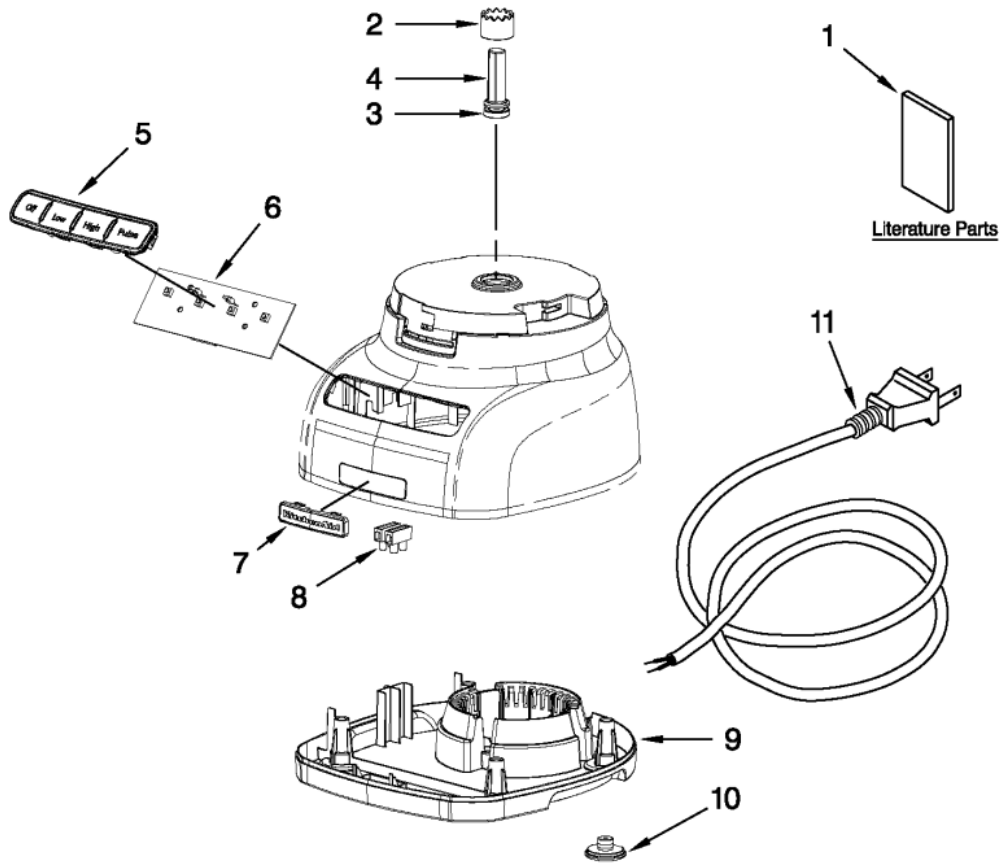


Model Number: 5KFP1335ECU0
Component Group: MOTOR AND HOUSING UNIT

MOTOR AND HOUSING UNIT



07/29/2013

2

Part No. W10592526 Rev. B

		Part Listing	
ID	Part	Series	Description
1	W10505785		USE AND CARE GUIDE
2	W10451327		SUPPORT,BEARING
3	W10451328		BEARING,BALL
4	W10451326		ADAPTER,MOTOR
5	W10592795		PANEL,CONTROL
6	W10592796		PCB ASSEMBLY
7	W10451323		NAMEPLATE
8	W10451322		BLOCK,TERMINAL
9	W10592798		BASE,HOUSING (EMPIRE RED)
	W10451321		BASE,HOUSING (BLACK)
	W10592799		BASE,HOUSING (ALMOND CREME)
	W10592797		BASE,HOUSING (WHITE)
	W10592800		BASE,HOUSING (ONYX BLACK)
10	W10451320		FOOT
11	W10592587		CORD,POWER (EUROPEAN)
	W10592585		CORD,POWER (BRITAIN AND CHINA)

Model Number: 5KFP1335ECU0
Component Group: COVER SHEET

KitchenAid®

**13-CUP FOOD PROCESSOR
INTERNATIONAL**

MODELS:

5KFP1325EWH0 (White - Europe)	5KFP1335EAC0 (Almond Creme - Europe)
5KFP1325BWH0 (White - Britain)	5KFP1335EOB0 (Onyx Black - Europe)
5KFP1333EOB0 (Onyx Black - Europe)	5KFP1335ECU0 (Contour Silver - Europe)
5KFP1333ECU0 (Contour Silver - Europe)	5KFP1335BWH0 (White - Britain)
5KFP1333BOB0 (Onyx Black - Britain)	5KFP1335BER0 (Empire Red - Britain)
5KFP1333BCU0 (Contour Silver - Britain)	5KFP1335BAC0 (Almond Creme - Britain)
5KFP1333SOB0 (Onyx Black - Swiss)	5KFP1335BOB0 (Onyx Black - Britain)
5KFP1333SCU0 (Contour Silver - Swiss)	5KFP1335BCU0 (Contour Silver - Britain)
5KFP1333GER0 (Empire Red - Asia)	5KFP1335SWH0 (White - Swiss)
5KFP1335EWH0 (White - Europe)	5KFP1335SER0 (Empire Red - Swiss)
5KFP1335EER0 (Empire Red - Europe)	5KFP1335SAC0 (Almond Creme - Swiss)

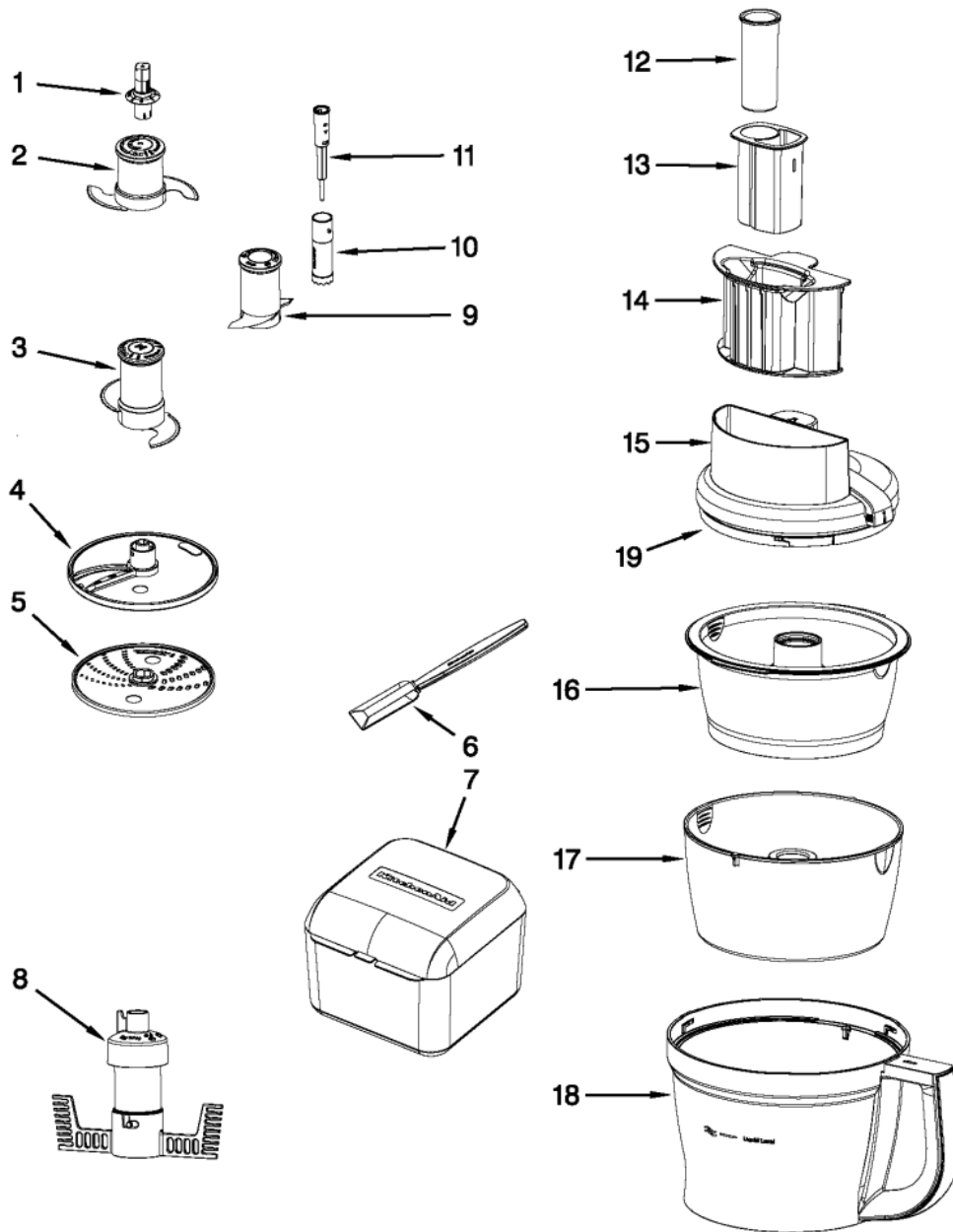
09/03/2013

Part No. W10592526 Rev. C

ID Part	Series	Part Listing	Description
----------------	---------------	--------------	--------------------

Model Number: 5KFP1335ECU0
Component Group: ATTACHMENT PARTS

ATTACHMENT PARTS



07/29/2013

4

Part No. W10592526 Rev. B

ID	Part	Series	Part Listing Description
1	W10451497		ADAPTER,SHREDDING
2	W10451487		BLADE,MINI
3	W10451463		BLADE,MULTI- PURPOSE
4	W10451466		DISC,SLICING
5	W10451465		DISC,SHREDDING
6	W10461927		SPATULA
7	W10451494		BOX,ACCESSORY (LARGE)
8	W10451493		WHIP,EGG
9	W10451489		BLADE,DOUGH
10	W10451495		ADAPTER,SLICING SHAFT
11	W10461962		ADAPTOR,COMMON
12	W10461924		PUSHER,ROUND
13	W10461925		PUSHER,REGULAR
14	W10451469		PUSHER,WIDE MOUTH
15	W10592807		LID,13-CUP (ONYX BLACK)
	W10592805		LID,13-CUP (ALMOND CREME)
	W10592808		LID,13-CUP (WHITE)
	W10592803		LID,13-CUP (EMPIRE RED)
16	W10451470		BOWL,MINI
17	W10461926		BOWL,CHEF
18	W10592809		BOWL,13-CUP (ONYX BLACK)
	W10592810		BOWL,13-CUP (WHITE)
	W10592804		BOWL,13-CUP (EMPIRE RED)
	W10592806		BOWL,13-CUP (ALMOND CREME)
19	W10480168		GASKET,LID