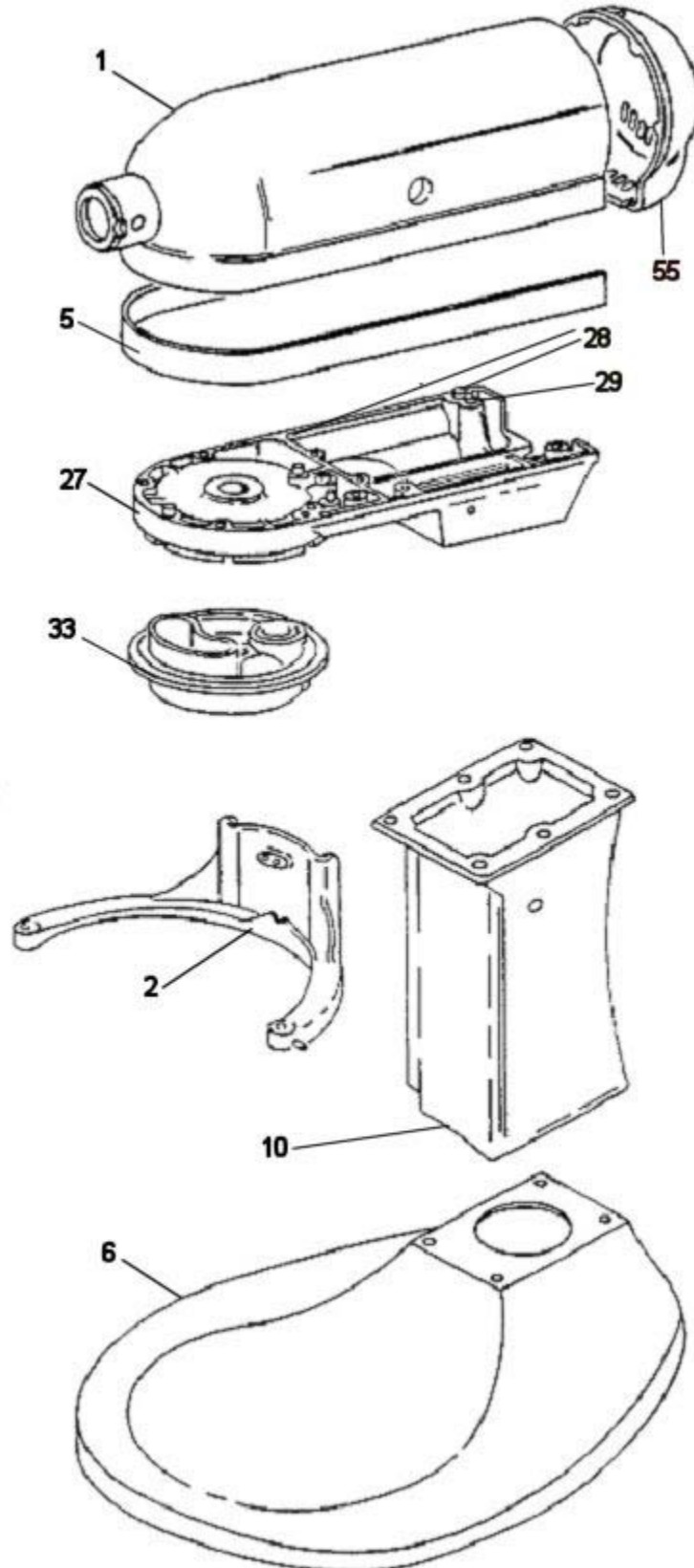


## COLOR VARIATION PARTS

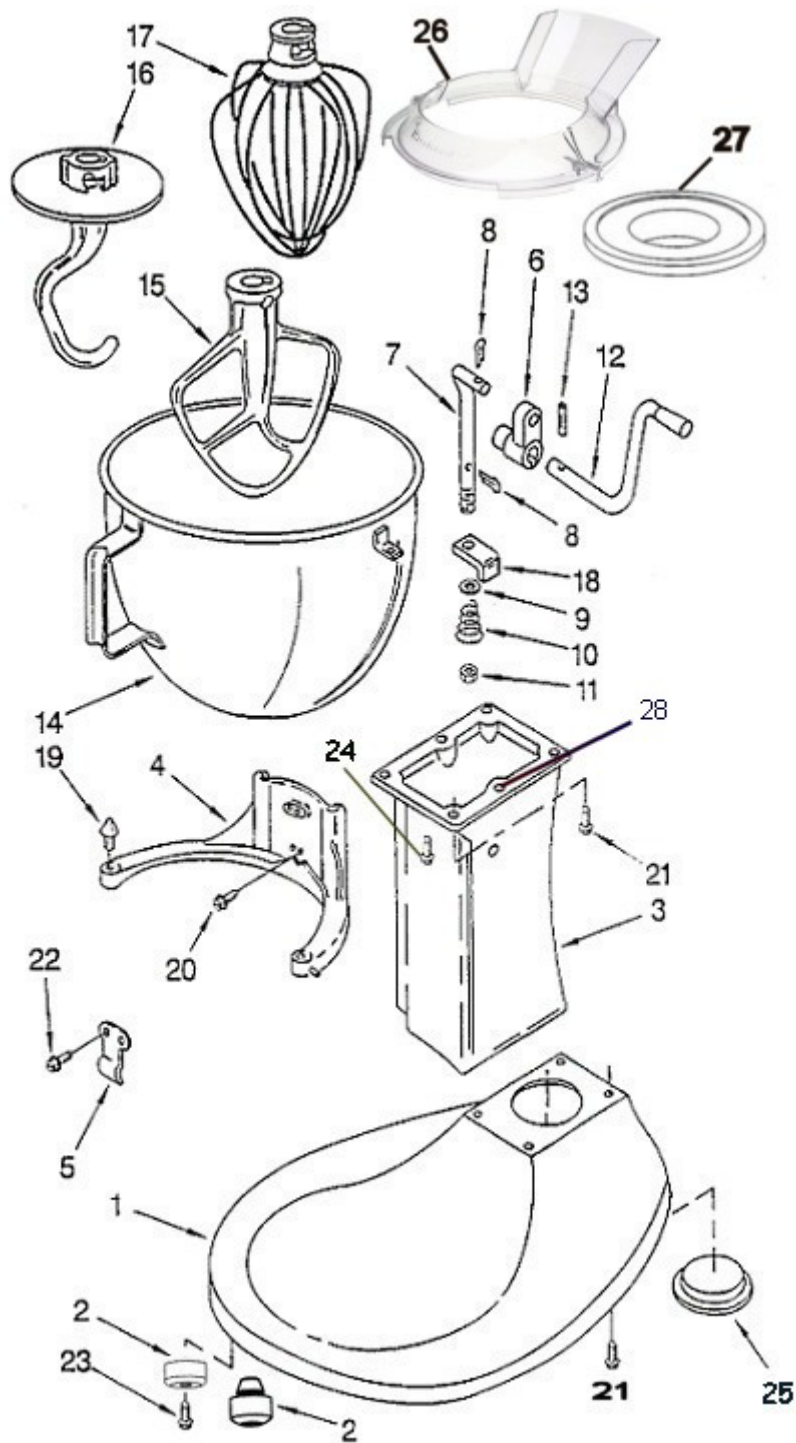


### COLOR VARIATION PARTS

| Pos | Partnr    | OldPartnr | NLA | Description                                          | Qty | SPQ |
|-----|-----------|-----------|-----|------------------------------------------------------|-----|-----|
| 1   | 240291-1  | 4162086   |     | MOTOR HOUSING - WHITE                                | 1   | 1   |
| 1   | 240291-14 | 4176176   |     | MOTOR HOUSING - WHITE FOR 5KPM50B                    | 1   | 1   |
| 1   | 240291-20 | 4176316   |     | MOTOR HOUSING - MAJESTIC YELLOW                      | 1   | 1   |
| 1   | 240291-21 | 4176315   |     | MOTOR HOUSING - EMPIRE RED                           | 1   | 1   |
| 1   | 240291-23 | 4176086   |     | MOTOR HOUSING - IMPERIAL GRAY                        | 1   | 1   |
| 1   | 240291-7  | 4169509   |     | MOTOR HOUSING - COBALT BLUE                          | 1   | 1   |
| 2   | 3179300   | 4162015   |     | BOWL SUPPORT & PIN ASSY - WHITE                      | 1   | 1   |
| 2   | 3179303   | 4169505   |     | BOWL SUPPORT & PIN ASSY - COBALT BLUE                | 1   | 1   |
| 2   | 3179304   | 4176092   |     | BOWL SUPPORT & PIN ASSY - IMPERIAL GREY              | 1   | 1   |
| 2   | 3179318   |           |     | BOWL SUPPORT & PIN ASSY - EMPIRE RED                 | 1   | 1   |
| 2   | 3179319   |           |     | BOWL SUPPORT & PIN ASSY - MAJESTIC YELLOW            | 1   | 1   |
| 5   | 9704633   |           |     | TRIM BAND - 5K5SSWH, 5KPM50EWH, 5KPM50EGR, 5KPM50BWH | 1   | 1   |
| 5   | 9704646   |           |     | TRIM BAND - 5KPM50F                                  | 1   | 1   |
| 5   | 9705172   |           |     | TRIM BAND - UK/EUROPE, 5KSM5                         | 1   | 1   |
| 5   | 9705186   |           | x   | TRIM BAND - AUSTRALIA                                | 1   | 1   |
| 5   | 9706975   |           |     | TRIM BAND - 5KPM5BWH - EWH                           | 1   | 1   |
| 5   | 9706977   |           |     | TRIM BAND - 5KPM50WH - EGR- EWH - BWH                | 1   | 1   |
| 6   | 240493-2  | 4162202   |     | BASE W/FOOT SUPPPORT - WHITE                         | 1   | 1   |
| 6   | 240493-7  | 4169511   |     | BASE W/FOOT SUPPPORT - COBALT BLUE                   | 1   | 1   |
| 6   | 240493-8  | 4176090   |     | BASE W/FOOT SUPPPORT - IMPERIAL GREY                 | 1   | 1   |
| 6   | 9702408   | 3179299   |     | BASE W/FOOT SUPPPORT - EMPIRE RED                    | 1   | 1   |
| 6   | 9702409   | 9704505   |     | BASE W/FOOT SUPPPORT - MAJ. YELLOW                   | 1   | 1   |
| 10  | 240148-10 | 4176091   |     | COLUMN - IMPERIAL GREY                               | 1   | 1   |
| 10  | 240148-4  | 4162411   |     | COLUMN - WHITE                                       | 1   | 1   |
| 10  | 240148-8  | 4176001   |     | COLUMN - COBALT BLUE                                 | 1   | 1   |
| 10  | 9701109   |           |     | COLUMN - WHITE (column only 5KPM5F & 5KPM50F)        | 1   | 1   |
| 10  | 9702393   |           |     | COLUMN - EMPIRE RED                                  | 1   | 1   |
| 10  | 9702394   |           |     | COLUMN - MAJESTIC YELLOW                             | 1   | 1   |
| 27  | 240354-26 | 4176000   |     | LOWER GEAR CASE - COBALT BLUE                        | 1   | 1   |
| 27  | 240354-3  | 4162129   |     | LOWER GEAR CASE - WHITE K5                           | 1   | 1   |
| 27  | 9701512   |           |     | LOWER GEAR CASE - WHITE 5KPM50                       | 1   | 1   |
| 27  | 9702210   | 4176088   |     | LOWER GEAR CASE - IMPERIAL GRAY                      | 1   | 1   |
| 27  | 9704499   | 9704500   |     | LOWER GEAR CASE - EMPIRE RED                         | 1   | 1   |
| 27  | 9704501   | 9704502   |     | LOWER GEAR CASE - MAJESTIC YELLOW                    | 1   | 1   |
| 28  | 3180499   |           |     | DOWELL PIN                                           | 1   | 1   |
| 29  | 3180497   |           |     | DOWELL PIN                                           | 1   | 1   |
| 33  | 240286-1  | 4162075   |     | PLANETARY - WHITE                                    | 1   | 1   |
| 33  | 240286-10 | 4169508   |     | PLANETARY - COBALT BLUE                              | 1   | 1   |
| 33  | 240286-11 | 4176089   |     | PLANETARY - IMPERIAL GRAY                            | 1   | 1   |
| 33  | 240286-22 | 4176322   |     | PLANETARY - MAJESTIC YELLOW                          | 1   | 1   |
| 33  | 240286-23 | 4176321   |     | PLANETARY - EMPIRE RED                               | 1   | 1   |
| 55  | 240253-1  | 4162055   |     | END COVER - WHITE                                    | 1   | 1   |

| Pos | Partnr    | OldPartnr | NLA | Description                 | Qty | SPQ |
|-----|-----------|-----------|-----|-----------------------------|-----|-----|
| 55  | 240253-21 | 4176319   |     | END COVER - MAJESTIC YELLOW | 1   | 1   |
| 55  | 240253-22 | 4176318   |     | END COVER - EMPIRE RED      | 1   | 1   |
| 55  | 240253-8  | 4169506   |     | END COVER - COBALT BLUE     | 1   | 1   |
| 55  | 3179869   |           |     | END COVER - WHITE 5KPM50    | 1   | 1   |
| 55  | 9702213   |           |     | END COVER - IMPERIAL GRAY   | 1   | 1   |

## Base and Pedestal Unit



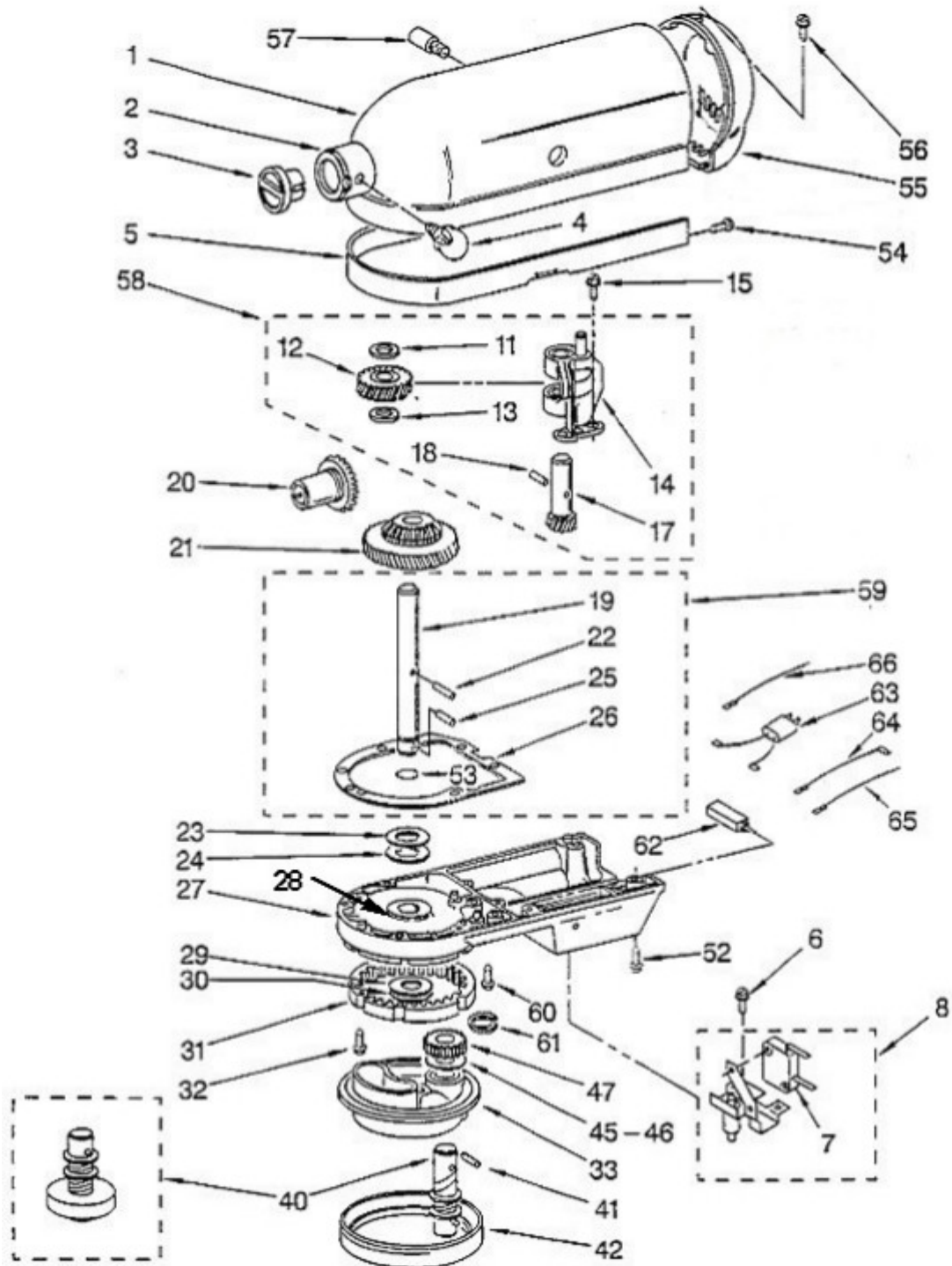
**K5 - 2**

### Base and Pedestal Unit

| Pos | Partnr                         | OldPartnr | NLA | Description                                                              | Qty | SPQ |
|-----|--------------------------------|-----------|-----|--------------------------------------------------------------------------|-----|-----|
| 1   | <a href="#">ViewColorParts</a> |           |     |                                                                          | 1   |     |
| 2   | 240211                         | 4162038   |     | OLD STYLE FOOT                                                           | 1   | 1   |
| 2   | 9703414                        |           |     | NEW RUBBER FOOT NO SCREW                                                 | 1   | 5   |
| 3   | <a href="#">ViewColorParts</a> |           |     |                                                                          | 1   |     |
| 4   | <a href="#">ViewColorParts</a> |           |     |                                                                          | 1   |     |
| 5   | 3182857                        | 4176228   |     | LATCH, BOWL SPRING                                                       | 1   | 2   |
| 5   | 3182857                        | 4159618   |     | LATCH, BOWL SPRING                                                       | 1   | 2   |
| 6   | 241764                         | 4162874   |     | ARM, BOWL LIFT                                                           | 1   | 5   |
| 7   | 9085                           | 4159620   |     | ROD, BOWL LIFT                                                           | 1   | 1   |
| 8   | 9704608                        | 4159126   |     | COTTER PIN                                                               | 1   | 1   |
| 8   | 9704608                        | 90222     |     | COTTER PIN                                                               | 1   | 1   |
| 9   | WS00323                        | 4159514   |     | WASHER                                                                   | 1   | 5   |
| 10  | 9237                           | 4159622   |     | SPRING, LIFT ROD                                                         | 1   | 1   |
| 11  | NS03123                        | 4159092   |     | NUT, 1/4-28                                                              | 1   | 1   |
| 12  | 9079                           | 4159615   |     | HANDLE, BOWL LIFT                                                        | 1   | 1   |
| 13  | 9703442                        | 4176048   |     | ROLL PIN                                                                 | 1   | 1   |
| 14  | K5ASB                          | 4162161   |     | 5 QT BOWL "Order by Sales"                                               | 1   | 1   |
| 14  | K5ASB                          | 240340    |     | 5 QT BOWL "Order by Sales"                                               | 1   | 1   |
| 14  | K5ASB                          | 4176144   |     | 5 QT BOWL "Order by Sales"                                               | 1   | 1   |
| 15  | 9707670                        |           |     | COATED BEATER -- AUG. 2003                                               | 1   | 1   |
| 15  | K5AB                           | 240235-1  |     | BEATER "Order by Sales"                                                  | 1   | 1   |
| 15  | K5AB                           | 4162164   |     | BEATER "Order by Sales"                                                  | 1   | 1   |
| 16  | K5ADH                          | 4176181   |     | DOUGH HOOK "Order by Sales"                                              | 1   | 1   |
| 16  | K5ADH                          | 9708033   |     | DOUGH HOOK "Order by Sales"                                              | 1   | 1   |
| 16  | K5ADH                          | 9707672   |     | DOUGH HOOK "Order by Sales"                                              | 1   | 1   |
| 16  | K5ADH                          | 9701853   |     | DOUGH HOOK "Order by Sales"                                              | 1   | 1   |
| 16  | K5ADH                          | 4162153   |     | DOUGH HOOK "Order by Sales"                                              | 1   | 1   |
| 16  | K5ADH                          | 3183232   |     | DOUGH HOOK "Order by Sales"                                              | 1   | 1   |
| 17  | K5AWW                          | 9704309   |     | WIRE WHIP "Order by Sales"                                               | 1   | 1   |
| 17  | K5AWW                          | 4176306   |     | WIRE WHIP "Order by Sales"                                               | 1   | 1   |
| 18  | 240169                         | 4162022   |     | BOWL LIFT BRACKET                                                        | 1   | 1   |
| 19  | 240185                         | 4162028   |     | BOWL LOC. PIN                                                            | 1   | 1   |
| 20  | 3400018                        | 4159214   |     | SCREW 10-24 X 1/2                                                        | 1   | 2   |
| 21  | 240912                         | 4162403   |     | PAN HD SCREW                                                             | 1   | 1   |
| 22  | 3400024                        | 4159193   |     | SCREW                                                                    | 1   | 2   |
| 23  | SD00843                        | 4159349   |     | SCREW FOR OLD STYLE FOOT                                                 | 1   | 1   |
| 24  | 3182904                        |           |     | SCREW, DBL ENDED                                                         | 1   | 1   |
| 25  | 243352                         | 4176184   |     | PLUG                                                                     | 1   | 1   |
| 26  | 3177975                        |           |     |                                                                          | 1   |     |
| 26  | K5APSC                         |           |     | POURING SHIELD FOR KSM5 - KPM50 - K5SS With Microswitch "Order by Sales" | 1   | 1   |

| Pos | Partnr  | OldPartnr | NLA | Description                                                                    | Qty | SPQ |
|-----|---------|-----------|-----|--------------------------------------------------------------------------------|-----|-----|
| 26  | KPS2CL  | 4176453   |     | POURING SHIELD FOR 5K45 - 5KSM90 - 150 K5 Without Microswitch "Order by sales" | 1   | 1   |
| 26  | KPS2CL  | 3177975   |     | POURING SHIELD FOR 5K45 - 5KSM90 - 150 K5 Without Microswitch "Order by sales" | 1   | 1   |
| 26  | KPS2CL  | 4176452   |     | POURING SHIELD FOR 5K45 - 5KSM90 - 150 K5 Without Microswitch "Order by sales" | 1   | 1   |
| 26  | KPS2CL  | 9706633   |     | POURING SHIELD FOR 5K45 - 5KSM90 - 150 K5 Without Microswitch "Order by sales" | 1   | 1   |
| 27  | K5BC5N  |           |     | PLASTIC BOWL LID "Order by Sales"                                              | 2   | 2   |
| 27  | KBC90N  | 242841-2  |     | PLASTIC BOWL LID "Order by Sales"                                              | 1   | 1   |
| 28  | 3180500 |           |     | DOWELL PIN                                                                     | 1   | 1   |

**CASE, GEARING AND PLANETARY UNIT**





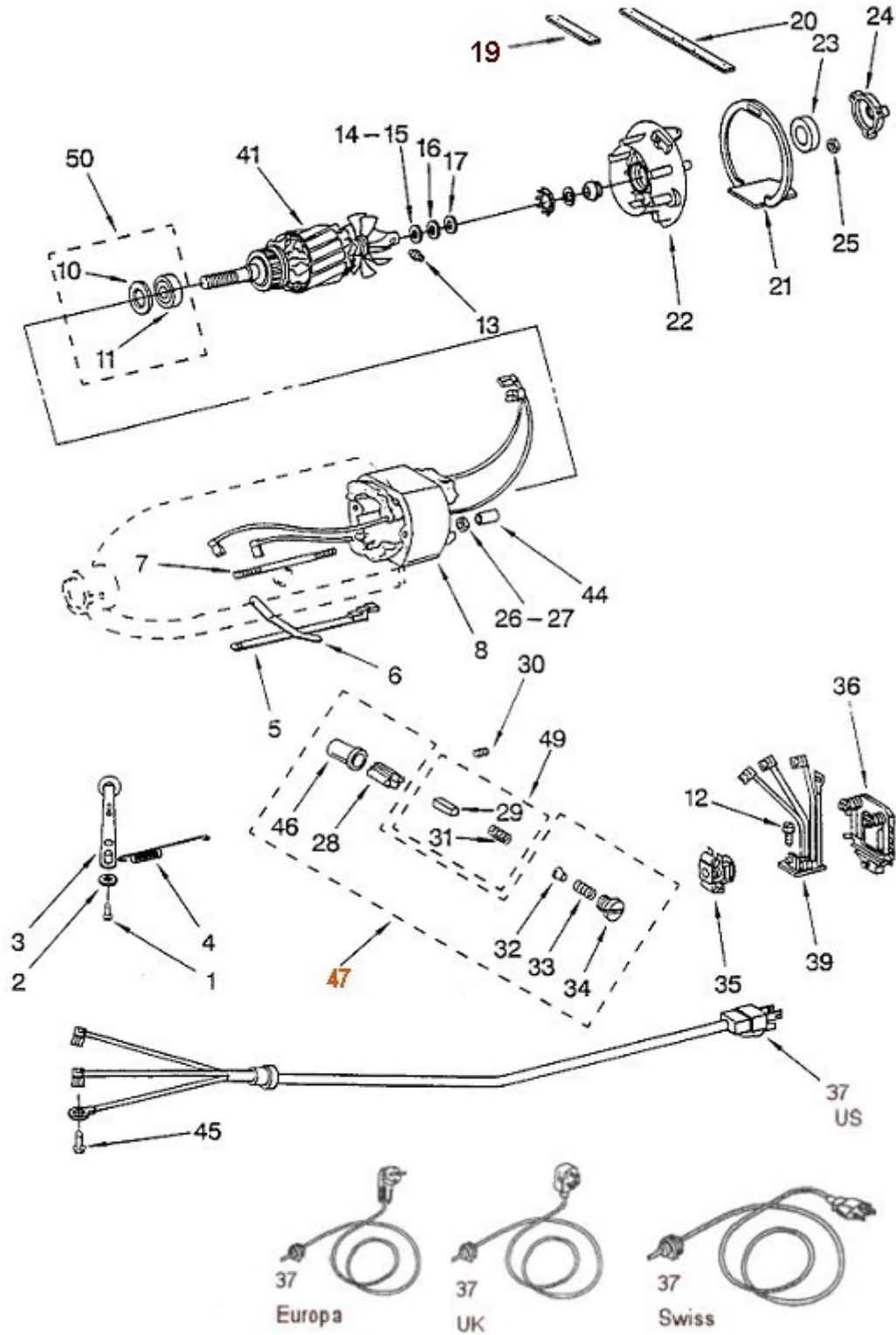
**CASE, GEARING AND PLANETARY UNIT**

| Pos | Partnr                         | OldPartnr | NLA | Description                                                | Qty | SPQ |
|-----|--------------------------------|-----------|-----|------------------------------------------------------------|-----|-----|
| 1   | <a href="#">ViewColorParts</a> |           |     |                                                            | 1   |     |
| 2   | 4159709                        |           |     | ATTACHMENT HUB RING ONLY KSM90-K5                          | 1   | 1   |
| 3   | 242765-2                       | 4163469   |     | CAP, ATTACHMENT HUB CHROME                                 | 1   | 1   |
| 3   | 242765-4                       | 4176209   |     | CAP, ATTACHMENT HUB WHITE                                  | 1   | 1   |
| 4   | 240374                         | 4162142   |     | THUMB SCREW, BLACK                                         | 1   | 5   |
| 4   | 240374-2                       | 4176211   |     | THUMB SCREW, WHITE (STORM GRAY)                            | 1   | 1   |
| 5   | <a href="#">ViewColorParts</a> |           |     |                                                            | 1   |     |
| 6   | 965173                         | 246132    |     | SCREW                                                      | 1   | 1   |
| 7   | 9701129                        |           |     | MICROSWITCH                                                | 1   | 1   |
| 8   | 9701014                        |           |     | ASSY- BOWL ACTUATOR                                        | 1   | 1   |
| 11  | 3180161                        | 4159530   |     | WASHER, FIBER BLACK, RAY(1 BAG=10 GREY WASHERS)            | 1   | 1   |
| 11  | 3180161                        | 4159529   |     | WASHER, FIBER BLACK, RAY(1 BAG=10 GREY WASHERS)            | 1   | 1   |
| 12  | 241803                         | 4162897   |     | WORM GEAR 23T                                              | 1   | 5   |
| 13  | 3180161                        | 4159529   |     | WASHER, FIBER BLACK, RAY(1 BAG=10 GREY WASHERS)            | 1   | 1   |
| 13  | 3180161                        | 4159530   |     | WASHER, FIBER BLACK, RAY(1 BAG=10 GREY WASHERS)            | 1   | 1   |
| 14  | 240308                         | 4162099   |     | WORM GEAR BRKT & BEARING                                   | 1   | 1   |
| 15  | 3400022                        | 680363    |     | SCREW & L.W. ASSY. 10-24 X 7/16 PHIL HD                    | 1   | 1   |
| 17  | 240210-2                       | 4162037   |     | SHAFT AND PINION 10T                                       | 1   | 1   |
| 18  | 9705444                        | 309565    |     | PIN, VERTICAL CENTER SHAFT                                 | 1   | 5   |
| 19  | 240026                         | 4161956   |     | SHAFT, VERTICAL CENTER                                     | 1   | 1   |
| 20  | 9703907                        |           |     | GEAR, ATTACH. HUB BEVEL 23T                                | 1   | 1   |
| 21  | 9703905                        |           |     | BEVEL PINION 19T & CENTER GEAR 62T                         | 1   | 1   |
| 22  | 240018-1                       | 4161950   |     | PIN, VERTICAL CENTER SHAFT                                 | 1   | 2   |
| 23  | 3180163                        |           |     | WASHER FIBER LOWER GEAR CASE(1 BAG=10 GREY+10BLACKWASHERS) | 1   | 1   |
| 24  | 3180163                        |           |     | WASHER FIBER LOWER GEAR CASE(1 BAG=10 GREY+10BLACKWASHERS) | 1   | 1   |
| 25  | 9705443                        | 4159133   |     | GROOVE PIN, TYPE E 5/32 X 7/16                             | 1   | 2   |
| 26  | 240684                         | 4162324   |     | GASKET, TRANSMISSION CASE                                  | 1   | 2   |
| 27  | <a href="#">ViewColorParts</a> |           |     |                                                            | 1   |     |
| 28  | 16897                          |           |     | Lower bearing                                              | 1   | 1   |
| 29  | 3180163                        |           |     | WASHER FIBER LOWER GEAR CASE(1 BAG=10 GREY+10BLACKWASHERS) | 1   | 1   |
| 30  | 3180163                        |           |     | WASHER FIBER LOWER GEAR CASE(1 BAG=10 GREY+10BLACKWASHERS) | 1   | 1   |
| 31  | 9703904                        | 4161402   |     | GEAR, INTERNAL 59T                                         | 1   | 1   |
| 32  | 103994                         | 4160595   |     | SCREW, SPECIAL                                             | 1   | 1   |
| 33  | <a href="#">ViewColorParts</a> |           |     |                                                            | 1   |     |



| Pos | Partnr                         | OldPartnr | NLA | Description                                                        | Qty | SPQ |
|-----|--------------------------------|-----------|-----|--------------------------------------------------------------------|-----|-----|
| 40  | 3184052                        | 4176067   |     | AGITATOR SHAFT (incl,Shaft,Ret Ring,Spring,Cup and Pin)            | 1   | 1   |
| 41  | 9704677                        |           | x   | GROOVE PIN, TYPE E 5/32 X 7/16                                     | 1   | 1   |
| 42  | 240285                         | 4162074   |     | PLANETARY DRIP RING                                                | 1   | 1   |
| 45  | 3180160                        |           |     | WASHER, SHIM .015" TCK .031" THK-PLANETARY(1 BAG=10CHROME WASHERS) | 1   | 1   |
| 46  | 3180160                        |           |     | WASHER, SHIM .015" TCK .031" THK-PLANETARY(1 BAG=10CHROME WASHERS) | 1   | 1   |
| 47  | 9703903                        | 4161401   |     | PINION GEAR, 18T AGITATOR SHAFT                                    | 1   | 1   |
| 51  | 3400026                        | 4159206   |     | Machine Screw 10-24 x 1 3/4 Fil,Hd                                 | 1   | 1   |
| 52  | 3400025                        | 4159204   |     | MACHINE SCREW, 10-24 X 1 PHIL HEAD                                 | 1   | 1   |
| 53  | 67500-55                       | 4159817   |     | O-RING                                                             | 1   | 2   |
| 54  | 311932                         | 4159430   |     | SCREW, SELF TAPPING - TRIM BAND                                    | 1   | 1   |
| 55  | <a href="#">ViewColorParts</a> |           |     |                                                                    | 1   |     |
| 56  | 241877                         | 4162914   |     | SCREW, 6-32 X 3/8 PHIL OVAL HD                                     | 1   | 2   |
| 57  | 243342                         | 4176183   |     | PIN GUARD                                                          | 1   | 1   |
| 58  | 240309-2                       | 4162101   |     | Worm Gear Bracket and Gear (10 & 23 T) Assembly                    | 1   | 1   |
| 59  | 4160474                        |           |     | CENTER SHAFT & "O" RING (ILLUS 19,22,25,26,53)                     | 1   | 1   |
| 60  | 3400026                        | 4159206   |     | Machine Screw 10-24 x 1 3/4 Fil,Hd                                 | 1   | 1   |
| 61  | 9703438                        |           |     | RING, PLANETARY RETAINING                                          | 1   | 1   |
| 62  | 241287-1                       | 4176099   |     | Protector ETA 41-06-P30 AC250V 3A/CIRCUIT BREAKER                  | 1   | 1   |
| 62  | 9701663                        |           |     | RESET BUTTON W/HEX NUT - ONLY 5KPM50                               | 1   | 1   |
| 62  | WL1904                         |           |     | WASHER, LOCK TOOTH - ONLY 5KPM50                                   | 1   | 1   |
| 63  | 9705132                        | 3179959   |     | RFI FILTER(at back of unit near end cover)                         | 1   | 1   |
| 63  | 9705132                        | 4176340   |     | RFI FILTER(at back of unit near end cover)                         | 1   | 1   |
| 64  | 9702309                        | 4176247   |     | LEAD FOR CIRCUIT BREAKER                                           | 1   | 1   |
| 65  | 9704827                        | 4176248   |     | LEAD FOR CIRCUIT BREAKER TO CONTROL BOARD                          | 1   | 1   |
| 66  | 9701776                        |           |     | Lead, Circuit Board to Filter                                      | 1   | 1   |

# Motor and Control Parts



### Motor and Control Parts

| Pos | Partnr   | OldPartnr | NLA | Description                                                      | Qty | SPQ |
|-----|----------|-----------|-----|------------------------------------------------------------------|-----|-----|
| 1   | 110679   | 4160965   |     | PIVOT SCREW                                                      | 1   | 1   |
| 2   | 116241   | 4161697   |     | WASHER, SPRING                                                   | 1   | 5   |
| 3   | 3184193  |           |     | SWITCH LEVER & STUD, BLACK                                       | 1   | 5   |
| 3   | 3184194  | 4176212   |     | SWITCH LEVER & STUD, GRAY                                        | 1   | 1   |
| 3   | 4176230  | 4162607   |     | Control spring/speed level, black for old K5/K45                 | 1   | 1   |
| 4   | 3183680  | 4160596   |     | SPRING, CONROL PLATE                                             | 1   | 1   |
| 5   | 3184176  | 4176243   |     | SPEED LINK & CAM                                                 | 1   | 1   |
| 6   | 240205   | 4162035   |     | SPRING FLAT                                                      | 1   | 1   |
| 7   | 240769   | 4162344   |     | STATOR SCREW                                                     | 1   | 1   |
| 8   | 9701670  | 4169539   |     | FIELD ASSY, 230 V                                                | 1   | 1   |
| 10  | 9704324  | 4162428   |     | WASHER, BALL BEARING FRONT                                       | 1   | 1   |
| 11  | 4159001  |           |     | BALL BEARING                                                     | 1   | 1   |
| 12  | 3400402  | 4159438   |     | SCREW, SELF TAPPING 4-40 X 5/16 PHIL PAN HD, TYPE TT             | 1   | 1   |
| 13  | 16998    | 4159662   |     | STUD, GOVERNOR DRIVE                                             | 1   | 2   |
| 14  | 3180162  |           |     | WASHER, SPACING MOTOR BEARING BRACKET(1BAG=10GREY+10RED+10BLACK) | 1   | 1   |
| 15  | 3400900  |           |     | LOCK WASHER                                                      | 1   | 1   |
| 16  | 3180162  |           |     | WASHER, SPACING MOTOR BEARING BRACKET(1BAG=10GREY+10RED+10BLACK) | 1   | 1   |
| 17  | 4159522  |           |     | NOT AVAILABLE SEPARATEDLY INCL IN # 22                           | 1   | 1   |
| 19  | 9701584  |           |     | Seal 1,37 x 0,47 x 0,94 cm only 5KPM5 & 5KPM50                   | 1   | 1   |
| 20  | 9701104  | 9701501   |     | Seal 21,25 x 0,62 x 0,77 cm only 5KPM5 & 5KPM50                  | 1   | 1   |
| 21  | 3184356  | 4162351   |     | END SEAL Does not incl #20                                       | 1   | 2   |
| 21  | 9701501  | 4162350   |     | END SEAL 5KPM MODELS Does not incl #20                           | 1   | 1   |
| 22  | 3180526  |           |     | BEARING                                                          | 1   | 1   |
| 22  | 9701583  |           |     | BRACKET BEARING 5KPM MODELS                                      | 1   | 1   |
| 23  | 3180238  |           |     | FEL WASHER (CAN NOT BE SERVICED ANYMORE) incl in #22 3180526     | 1   | 1   |
| 24  | 3180526  |           |     | BEARING                                                          | 1   | 1   |
| 25  | NS00922  | 4159074   |     | NUT, MACHINE HEX (10-24)                                         | 2   | 2   |
| 26  | NS00922  | 4159074   |     | NUT, MACHINE HEX (10-24)                                         | 1   | 2   |
| 27  | 4159494  |           |     | LOCK WASHER #10 EXT. SHAKEPROOF                                  | 1   | 1   |
| 28  | 240680   | 4162320   |     | INSERT, BRUSH HOLDER                                             | 1   | 1   |
| 30  | 3400019  | 90188     |     | SET SCREW, 10-24 X 1/4 HDLS. CUP PT                              | 1   | 1   |
| 30  | 3400019  | 4159262   |     | SET SCREW, 10-24 X 1/4 HDLS. CUP PT                              | 1   | 1   |
| 31  | 4162424  |           | x   | SPRING BRUSH OBSOLETE                                            | 1   | 1   |
| 32  | 116286   | 4161745   |     | CAP, SPRING SEAT                                                 | 1   | 1   |
| 33  | 116287   | 4161746   |     | SPRING, CAP                                                      | 1   | 1   |
| 34  | 3184211  |           |     | CAP, BRUSH HOLDER, WHITE                                         | 2   | 2   |
| 34  | 3184212  |           |     | CAP, BRUSH HOLDER, BLACK                                         | 2   | 10  |
| 35  | 17830    | 4159675   |     | GOVERNOR ASSY                                                    | 1   | 1   |
| 36  | 240904-2 | 4176137   |     | CONTROL PLATE ASSY                                               | 1   | 1   |
| 36  | 240904-2 | 4162402   |     | CONTROL PLATE ASSY                                               | 1   | 1   |
| 37  | 9702313  |           |     | POWER CORD - "TUV" 5KPM50E WHITE                                 | 1   | 1   |

| Pos | Partnr   | OldPartnr | NLA | Description                                               | Qty | SPQ |
|-----|----------|-----------|-----|-----------------------------------------------------------|-----|-----|
| 37  | 9702314  | 9701386   |     | POWER CORD - BRITISH WHITE                                | 1   | 1   |
| 37  | 9702315  | 9701387   |     | POWER CORD - BRITISH BLACK                                | 1   | 1   |
| 37  | 9702318  | 3184199   |     | POWER CORD - "E" Models White (SHUKO)                     | 1   | 1   |
| 37  | 9702319  |           |     | POWER CORD - "E" Models Black (SHUKO)                     | 1   | 1   |
| 37  | 9703280  |           |     | POWER CORD - 5KPM50B (BLACK)                              | 1   | 1   |
| 39  | 9706596  | 9701269   |     | PHASE CONTROL BOARD 230 Volt                              | 1   | 1   |
| 41  | 241991-4 | 4162960   |     | ARMATURE 230V AND BEARING ASSY(INCLUDES #11,USE WITH # 8) | 1   | 1   |
| 41  | 9701669  |           |     | ARMATURE 230V AND BEARING ASSY(USE WITH # 8)              | 1   | 1   |
| 44  | 241356   |           |     | SLEEVE, MOTOR STUD                                        | 1   | 1   |
| 45  | 3184609  | 4162634   |     | SCREW, SELF TAPPING 10-32, PHIL PAN HD TYPE TT            | 1   | 2   |
| 46  | 3179908  |           |     | HOUSING BRUSH HOLDER                                      | 1   | 1   |
| 47  | 4162546  |           |     | Brush Holder(Incl,ilust,28,32,33,34&46)                   | 2   | 1   |
| 49  | 9706416  | 3184115   |     | CARBON BRUSH & SPRING                                     | 2   | 10  |
| 50  | 4176025  |           |     | Ball Bearing ands Washer                                  | 1   | 1   |