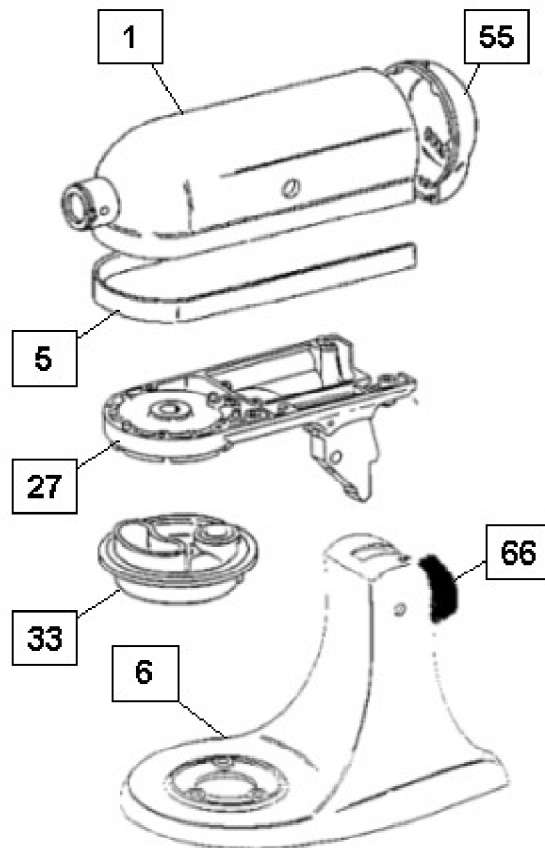
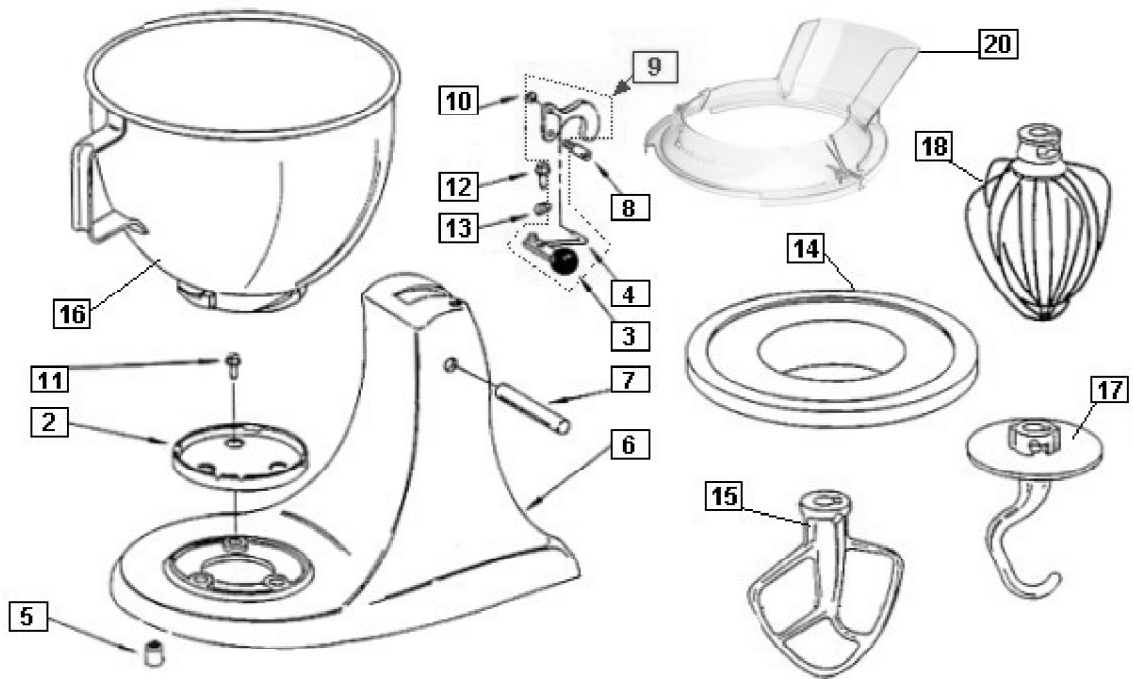


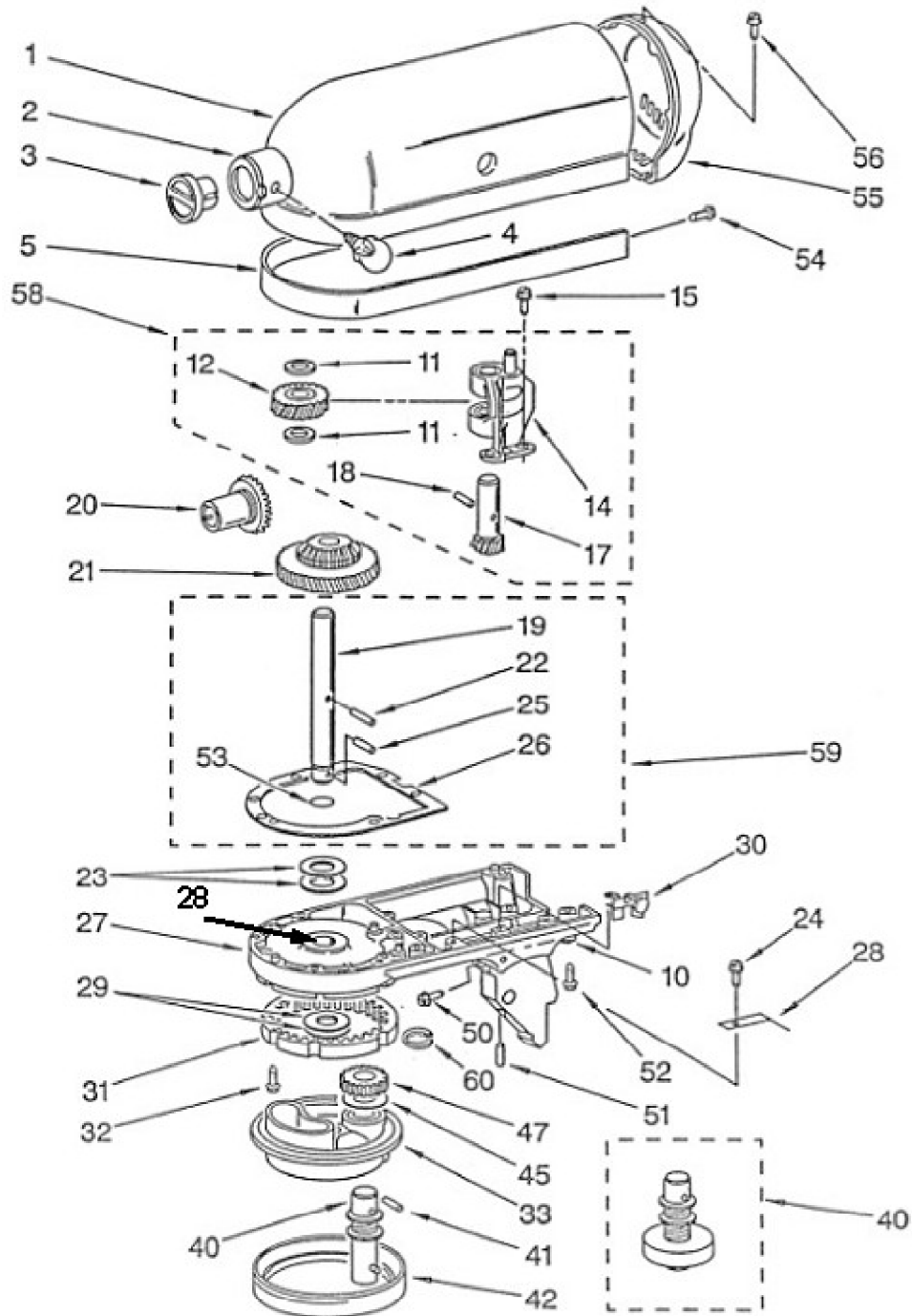
COLOR VARIATION PARTS



Base and Pedestal Unit



CASE, GEARING AND PLANETARY UNIT



Motor and Control Parts

