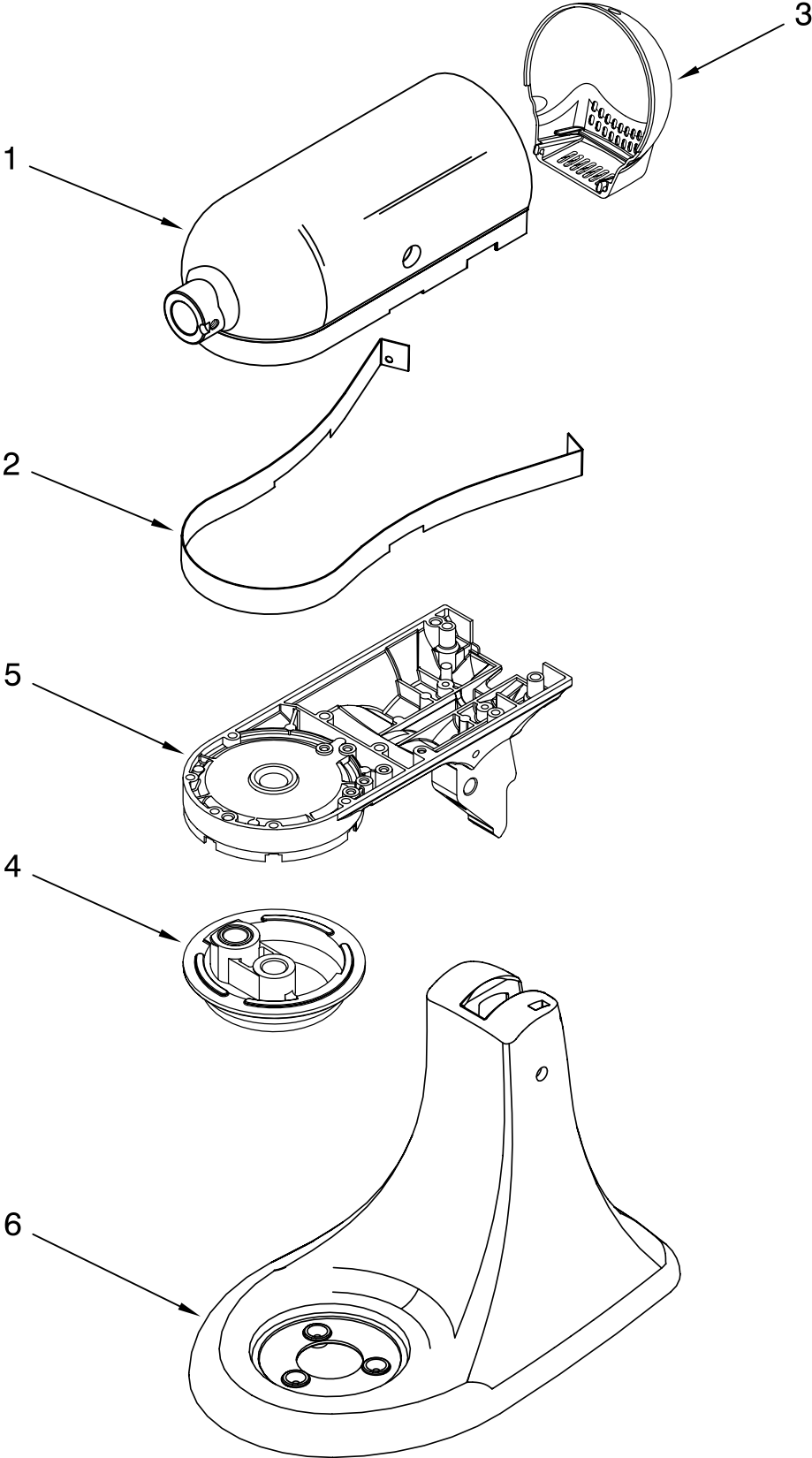


COLOR VARIATION PARTS

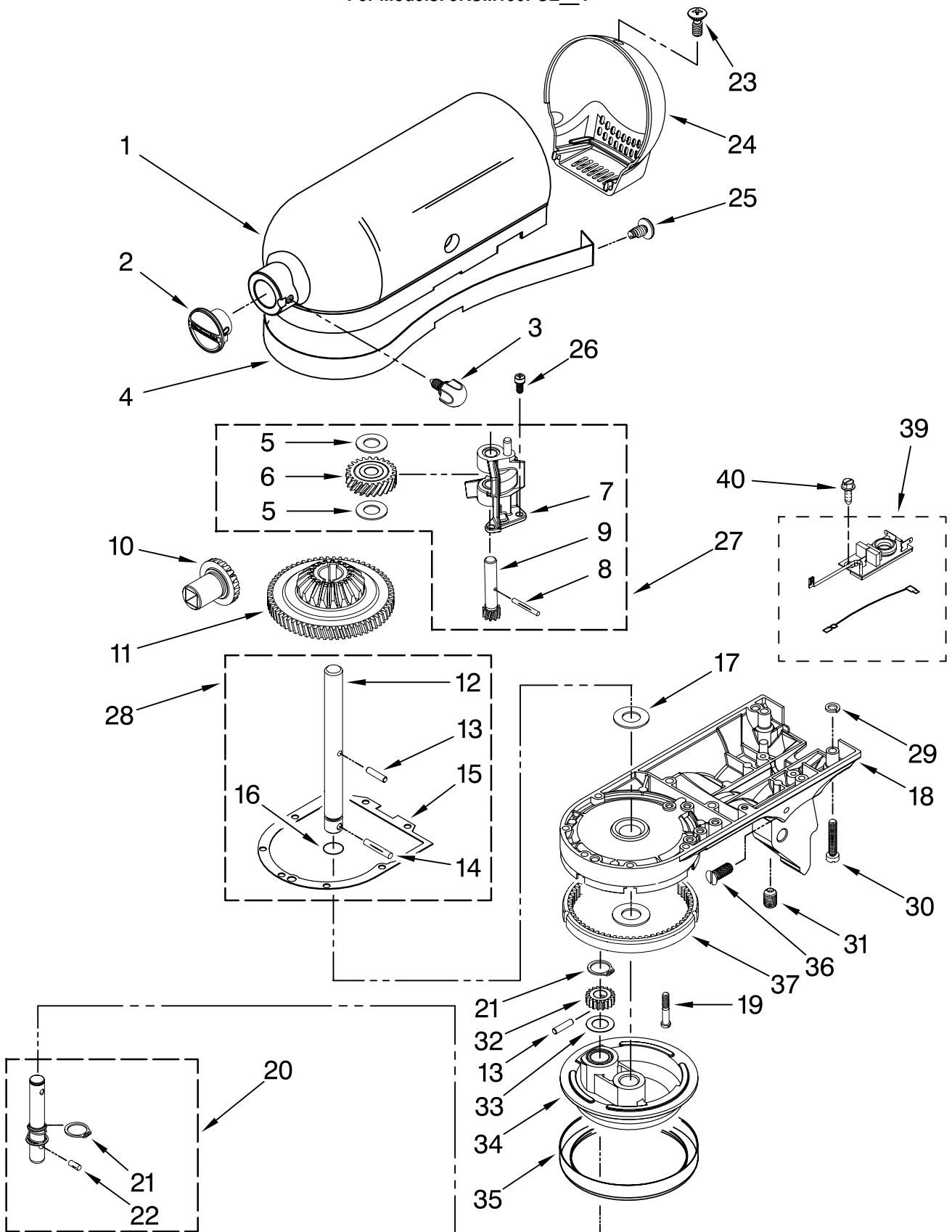
For Models: 5KSM150PSE_4



FOR ORDERING INFORMATION REFER TO PARTS PRICE LIST

CASE, GEARING AND PLANETARY UNIT

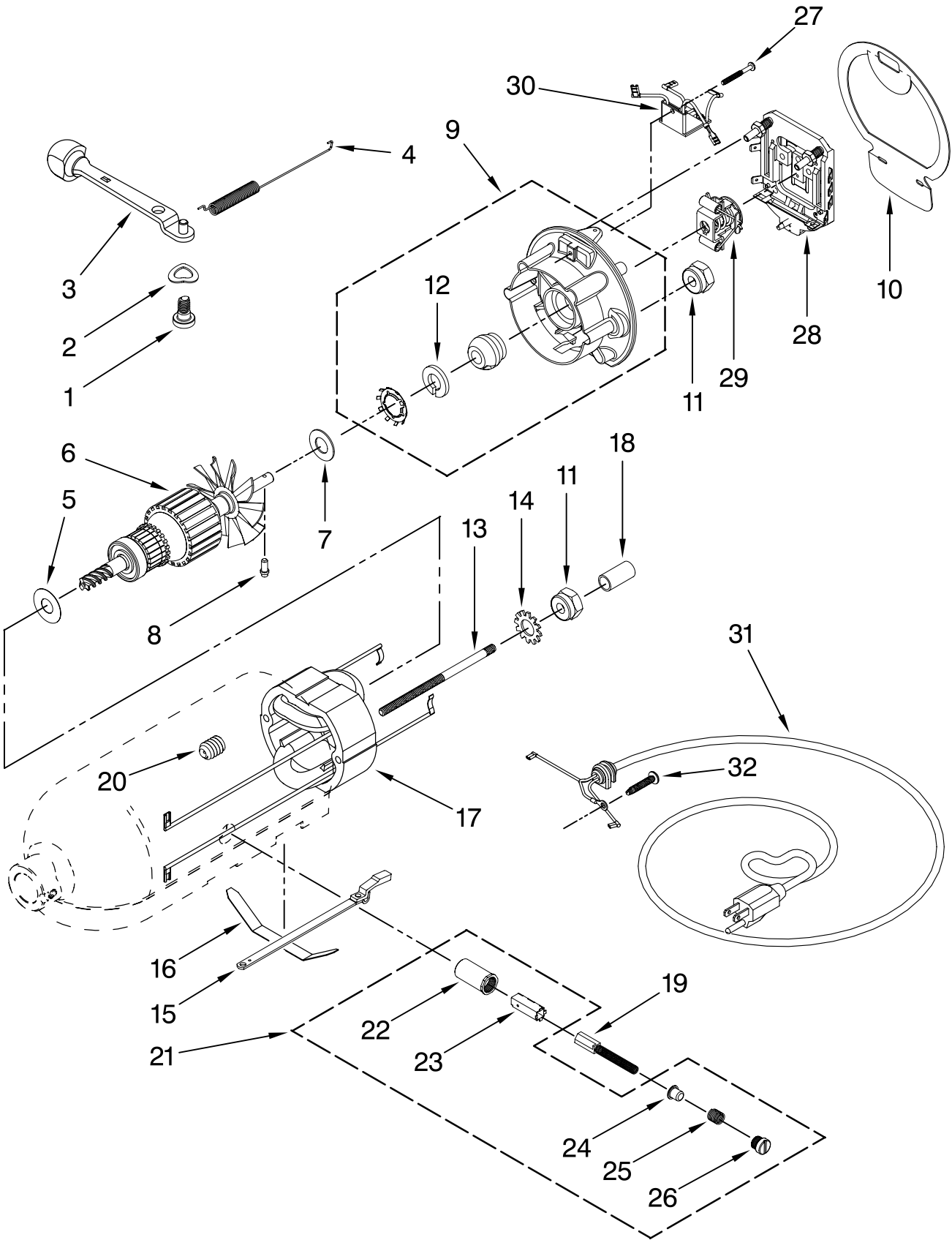
For Models: 5KSM150PSE_4



FOR ORDERING INFORMATION REFER TO PARTS PRICE LIST

MOTOR AND CONTROL PARTS

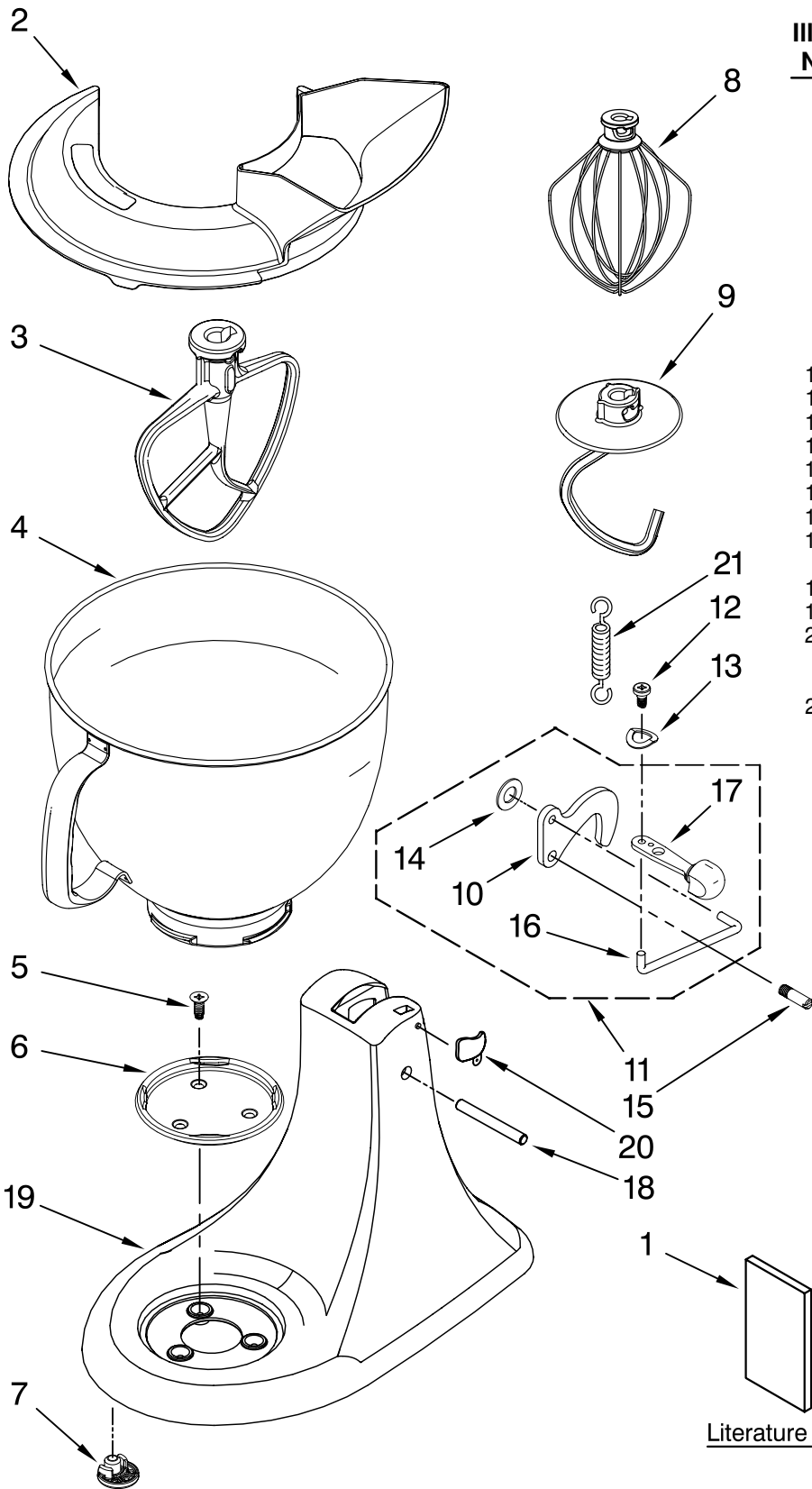
For Models: 5KSM150PSE_4



FOR ORDERING INFORMATION REFER TO PARTS PRICE LIST

BASE AND PEDESTAL UNIT

For Models: 5KSM150PSE_4



Illus. No.	Part No.	DESCRIPTION
1		Literature Parts
	9709851	Use & Care Guide
	8212383	Repair Parts List
2	9709923	Shield, Pouring
3	9708472	Beater, Flat
4	9706619	Bowl, 5 Qt.
5	3400020	Screw
6	W10191926	Screw Cap Kit
7	9709707	Foot, Base
8	9704329	Whip, Wire
9	9708471	Hook, Dough
10	9709055	Latch
11	3184200	Latch, Link Assy
12	110679	Screw, Pivot
13	116241	Washer, Spring
14	8533912	Washer
15	103993	Screw, Latch
16	24450	Link, Latch
17		Lever, Latch
	9709267	Black
18	16910	Pin, Hinge
19	**	Pedestal
20		Head Lock
	3184262	White
	3184264	Black
21	3183690	Spring, Lock Lever

**REFER TO PAGES 2 & 3.
ACCESSORY PARTS

Literature Parts

FOR ORDERING INFORMATION REFER TO PARTS PRICE LIST