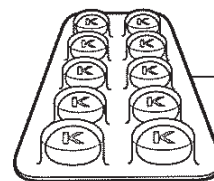


KRUPS

EXPRESSO ESPRESSERIA AUTOMATIC

EA8025E1/700



XS300010



XS400010

CREATION
EDITION

07/12/2007
13/12/2010

PAGE
1/5

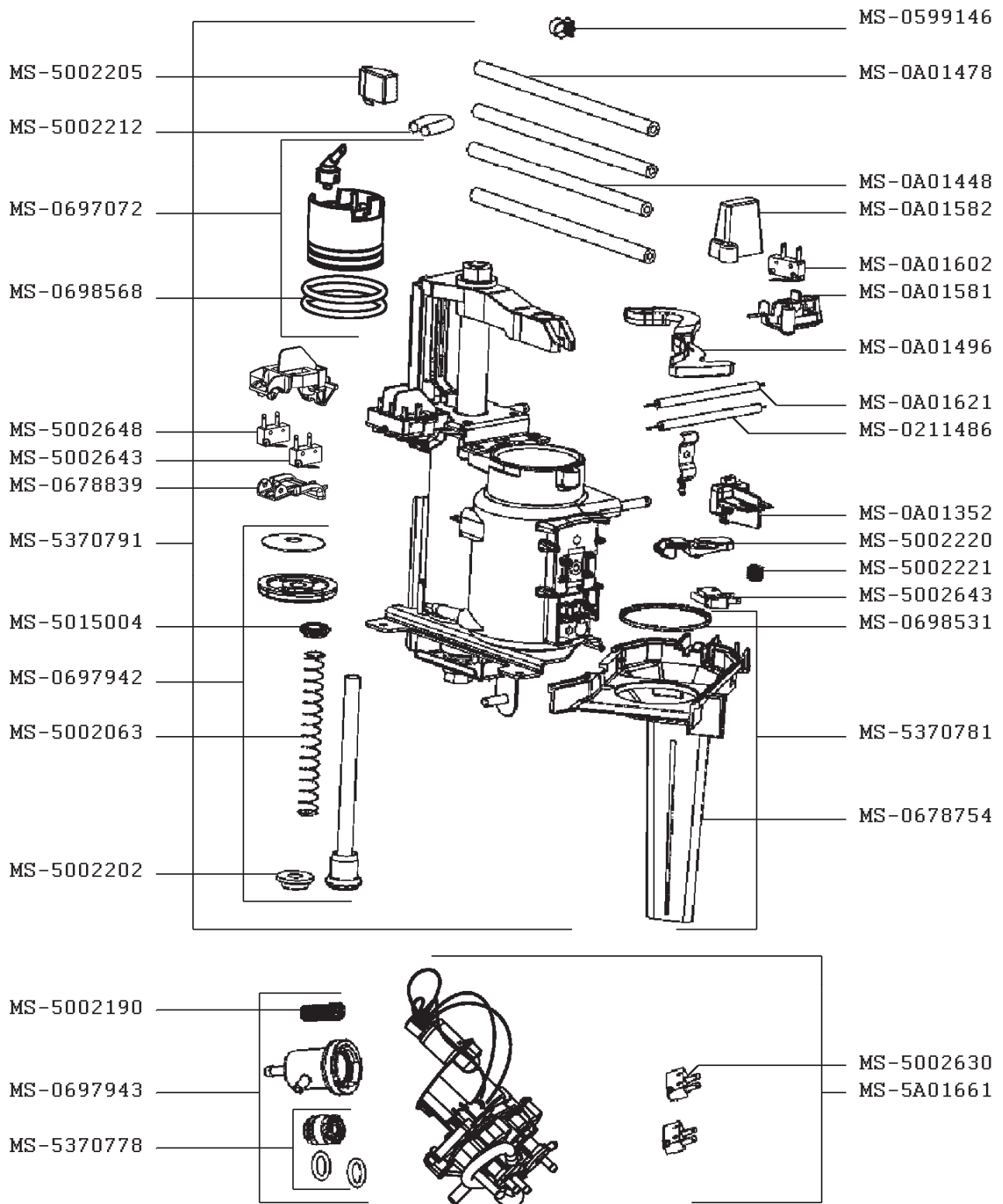
PAYS
PT

FAMILLE
II

KRUPS

EXPRESSO ESPRESSERIA AUTOMATIC

EA8025E1/700



CREATION
EDITION

07/12/2007
13/12/2010

PAGE
2/5

PAYS
PT

FAMILLE
II

KRUPS

EXPRESSO ESPRESSERIA AUTOMATIC

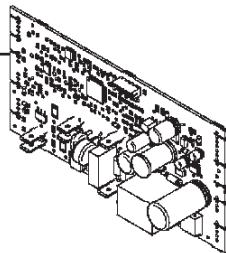
EA8025E1/700

< 4009

MS-5945252

MS-5883894

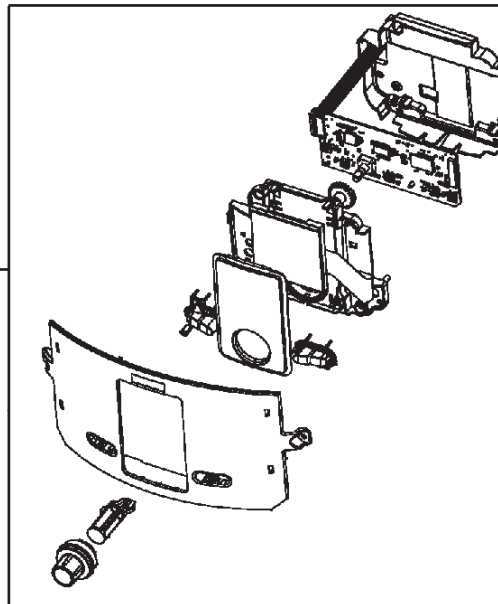
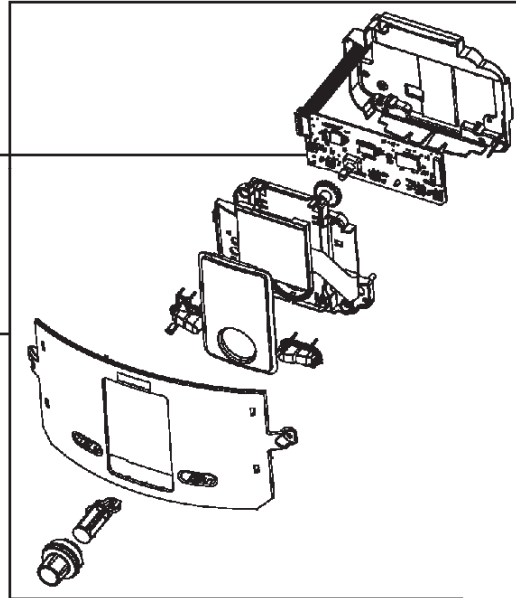
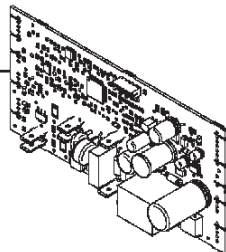
MS-5945254



> 3909

MS-5883930

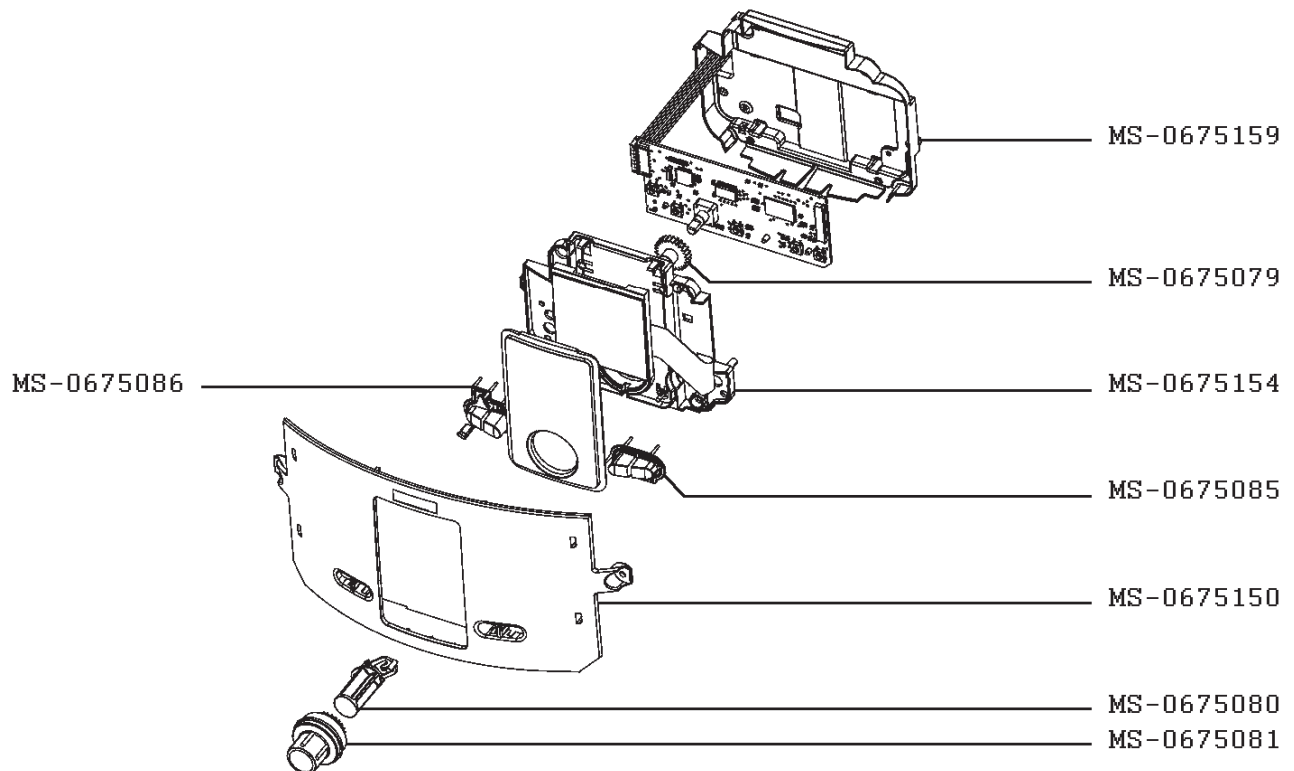
MS-5945330



KRUPS

EXPRESSO ESPRESSERIA AUTOMATIC

EA8025E1/700



CREATION
EDITION

07/12/2007
13/12/2010

PAGE
4/5

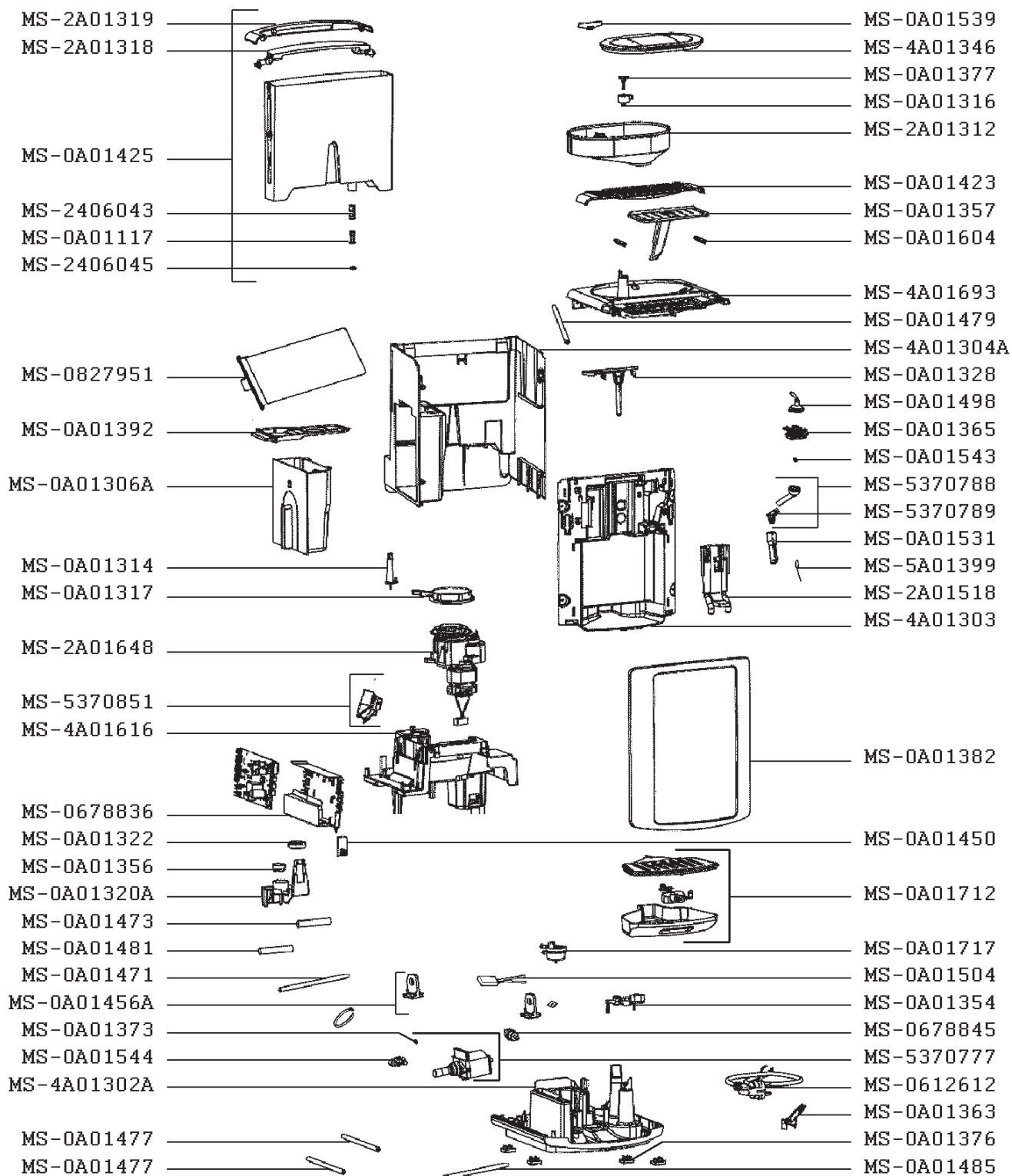
PAYS
PT

FAMILLE
II

KRUPS

EXPRESSO ESPRESSERIA AUTOMATIC

EA8025E1/700



CREATION
EDITION

07/12/2007
13/12/2010

PAGE
5/5

PAYS
PT

FAMILLE
II