

LAVORWASH

SERVICE

LISTE RICAMBI

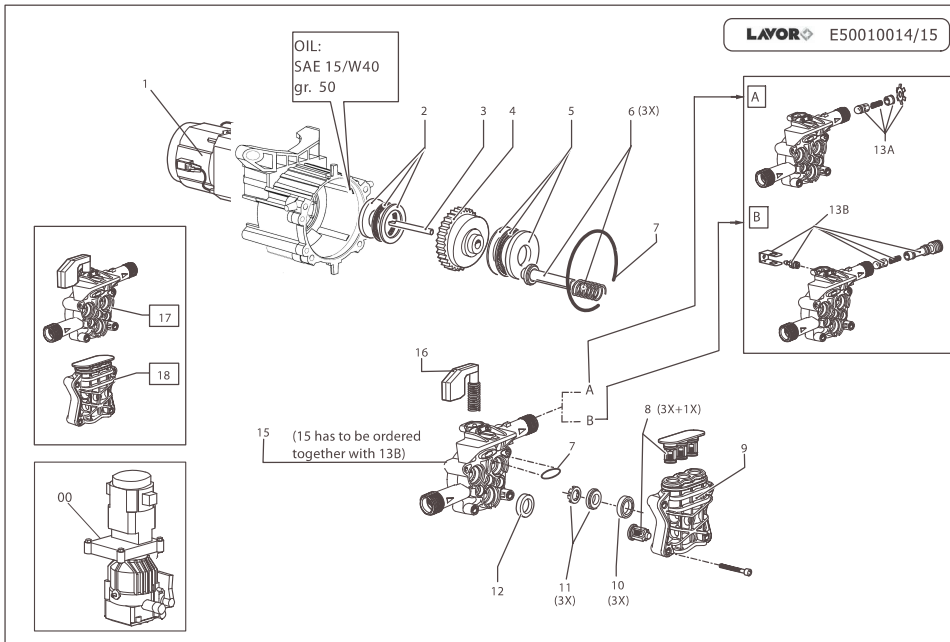
Code R80860019C-1
Description CHASSIS

Date début 18/10/2011

Date fin 1/1/3000

Table E8086C001-14

Pos.	Code	Prix	Q.té par emballa	Qté	Description	Alternative	Prix	C
001	4.008.1264	18.11	1	1	MASCHERINA FRONTALE STM NERA (P80.0502-U)		0	0
002	3.401.0178	5.56	3	1	INTERRUPTEUR 0/1 BOUTON NOIR IP55 12/10		0	0
003	4.013.0595	22.75	1	1	COPERT.ANT.-G- PANT.108C X MOT.SPAZZ.(STORM III)		0	0
004	4.013.0556C	0	1	1	CARENATURA ANTER.STM NERA (P80.0425)	4.013.0556	17.75	1
005	4.008.1310	2.55	6	1	MASCHERINA ENTRATA ACQUA -GR-PANT.877C (metallic)VERNIC.		0	0
006	4.008.0721	4.64	4	1	CONVOGLIATORE MOTORE DX (NO XU96 FL.ALL./9655)		0	0
007	4.008.1263	23.21	1	1	CARENATURA POST. STM NERA (MOT.SPAZZ. - P80.0502-U)		0	0
008	4.008.1259	3.72	5	1	PORTACCESSORI POSTERIORE STM/i-CLEAN NERO (P80.0502)		0	0
009	4.008.1311	28.97	1	2	RUOTA STM/i-CLEAN -GR- PANT.877C(metallic) VERNIC.	4.008.1203	10.91	2
010	4.008.1266	12.09	2	1	MANICO STM/i-CLEAN X AVVOLGITUBO NERO (P80.0502)		0	0
011	4.008.1258	1.28	12	1	COPERCHIO MANIGLIA STM/iCLEAN-G- PANT.108C (P80.0502)		0	0
012	6.005.0375	23.2	1	1	KIT 346 LW AVV.PRO+MANOVELLA I-CLEAN		0	0
013	4.012.0235	23.66	1	1	CAVO H05VV-F 2X1,5 MT.5,4 SP.SCHUKO ANTISPRUZZO F/F		0	0
014	7.100.1659	0	1	1	MANUALE SPECIFICO STM/TECHNO +CE LAVOR 27L A5 16F		0	0
015	6.001.0073	26.22	1	1	PISTOLA S'09 C/ATTACCO RAPIDOINTEGR. LAVOR		0	0
016	4.018.0102	32.78	1	1	TUBO 1/4 225BAR L=8000 RACC.INTEGR.X AVV.'10-INN.RAP.X S'09		0	0
019	6.002.0340	8.4	2	1	LANCIA S'12 S/TESTINA C/ATT.RAP.-COGETIL		0	0
020	6.002.0342	6.3	3	1	TESTINA LANCIA S'12 D.0,95 (ARANCIO) C/ATT.RAP. (GETTO		0	0
021	6.002.0346	7.35	3	1	TESTINA ROTOX LANCIA S'12 D.1,025 (NERO) C/ATT.RAP.		0	0
022	3.601.0033	12.9	2	1	BROSSE FIXE ET ADAPTATEUR COGETIL GRAND		0	0
023	3.601.0035	35.7	1	1	IDROSPAZZOLA ROT. MANICO FISSOCOG.RINF.(5116 ECON.)	3.601.0074	19.9	1
024	6.002.0259	10.92	2	1	DIFFUSORE SCHIUMA UNIFICATO C/SERBATOIO TRASPARENTE	6.002.0358	11	2
025	3.100.0082	1.25	12	1	INNESTO RAPIDO 3/4 NERO CON GUARNIZ. (FILETTO CORTO)		0	0
026	3.601.0102	56.85	1	1	SPAZZOLA PAVIMENTI L28 CON PROLUNGA -G/N- (D.1,2)		0	0



LAVORWASH
SERVICE

LISTE RICAMBI

Code R50010554C-3
Description MOTORPUMP

Date début 18/10/2011

Date fin 1/1/3000

Table E50010014-15

Pos.	Code	Prix	Q.té par emballa	Qté	Description	Alternative	Prix	C
000	5.001.0554C	110.2	1	1	MOTOP.SPAZZ.PT'03 230/50 7'10TS M.13KG (8850) -C-	5.001.0762C	126.48	1
001	5.009.0582	82.01	1	1	ASS.MOT.A SPAZZ.'03 230/50 C/FL.INT.+PIGN.F.L=600 C/ANTID.(8850)		0	0
002	6.005.0180	9.6	2	1	KIT 166 LW RALLE +GABBIA RULLINI 3047 PT'03-SD		0	0
003	4.007.0205	6.07	3	1	TOURILLON 10X70 POUR PARTNER ED BROSE 98 ESP.04		0	0
004	5.009.0742	11.27	2	1	ASSIEME PIATTELLO 7'10 PT'03 (U88-96) C/CORONA Z 50		0	0
005	4.007.0328	12.09	2	1	ROULEMENT A BILLES BUTEE D'EMBAYAGES 35X55X12 PT'03		0	0
006	6.005.0181	23.2	1	1	KIT 167 LW 3 PISTONI +MOLLE PT'03		0	0
007	6.005.0226	9.1	2	1	KIT 209 JOINT PT'03		0	0
008	6.005.0184	11.6	2	1	KIT 170 LW VALVE ASPIRATION/SORTIE POUR PT'03		0	0
009	4.005.0210	8.36	2	1	TESTATA PT'03 LAV.		0	0
010	6.005.0133	11.6	2	1	KIT 124 JOINTS EAU PARTNER D.12		0	0
011	6.005.0282	11.6	2	1	KIT 257 LW ANELLI APP.TENUTAALLUM.+ DISTANZIALI PT D.12		0	0
012	6.005.0079	12.75	2	1	KIT 79 LW JOINT HUIL POUR PARTNER D.12		0	0
13A	6.005.0281	11.6	2	1	KIT 256 LW ASSIEME VALVOLA DIRITEGNO S/ASPIRAZIONE PT'03C		0	0
015	4.005.0234	11.83	2	1	CORPO GUIDA PIST. PT'03 S/FOROASP.DET.		0	0
016	5.009.0716	22.54	1	1	KIT VALVE COMPENS. TS PT.'03 CABLE=530 RESSORT 13KG		0	0
017	5.007.0192C	40.19	1	1	CORPO GUIDA PT'03 PIST.D.12 C/TS-VALV.COMP.S/ASP.-M.13KG -C-		0	0
018	5.008.0182C	23.66	1	1	TÊTE DE POMPE PARTNER '03 D.12		0	0