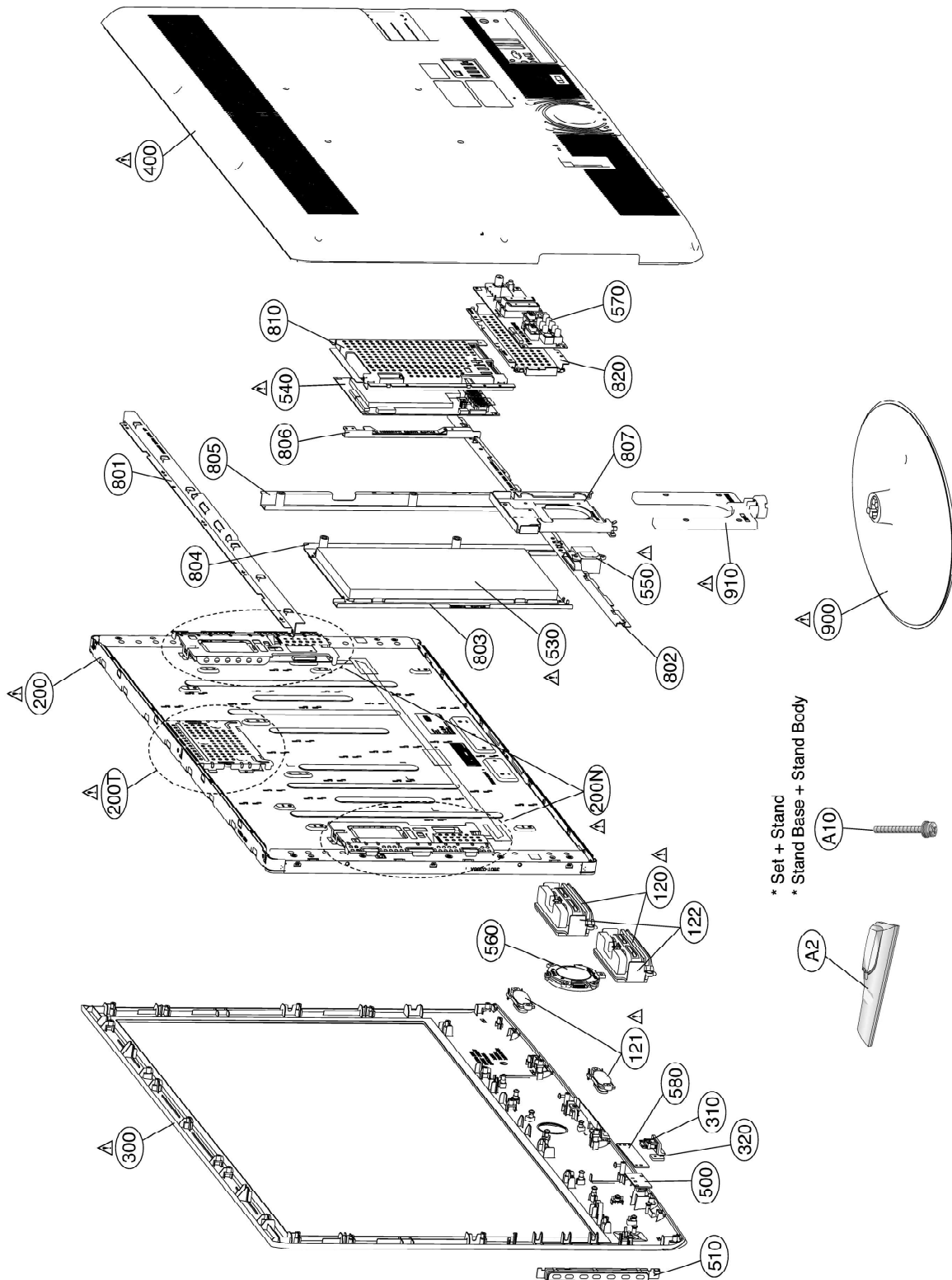


EXPLODED VIEW

IMPORTANT SAFETY NOTICE

Many electrical and mechanical parts in this chassis have special safety-related characteristics. These parts are identified by Δ in the Schematic Diagram and EXPLODED VIEW. It is essential that these special safety parts should be replaced with the same components as recommended in this manual to prevent X RADIATION, Shock, Fire, or other Hazards. Do not modify the original design without permission of manufacturer.



* Set + Stanc
 * Stand Base + Stand Body