

EXPLODED VIEWS

1. CABINET AND MAIN FRAME SECTION

5

4

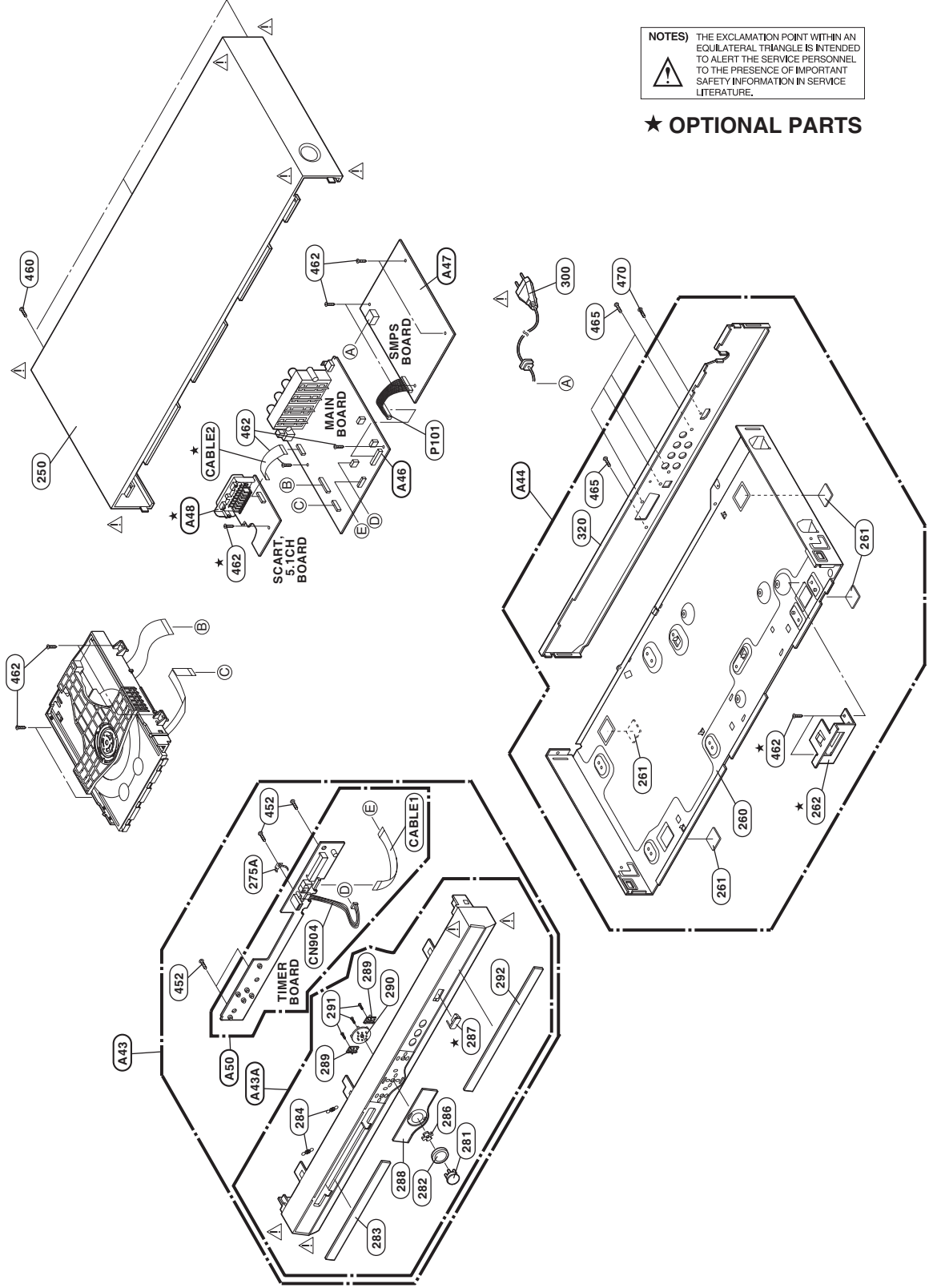
3

2

1

NOTES) THE EXCLAMATION POINT WITHIN AN EQUILATERAL TRIANGLE IS INTENDED TO ALERT THE SERVICE PERSONNEL TO THE PRESENCE OF IMPORTANT SAFETY INFORMATION IN SERVICE LITERATURE.

★ **OPTIONAL PARTS**



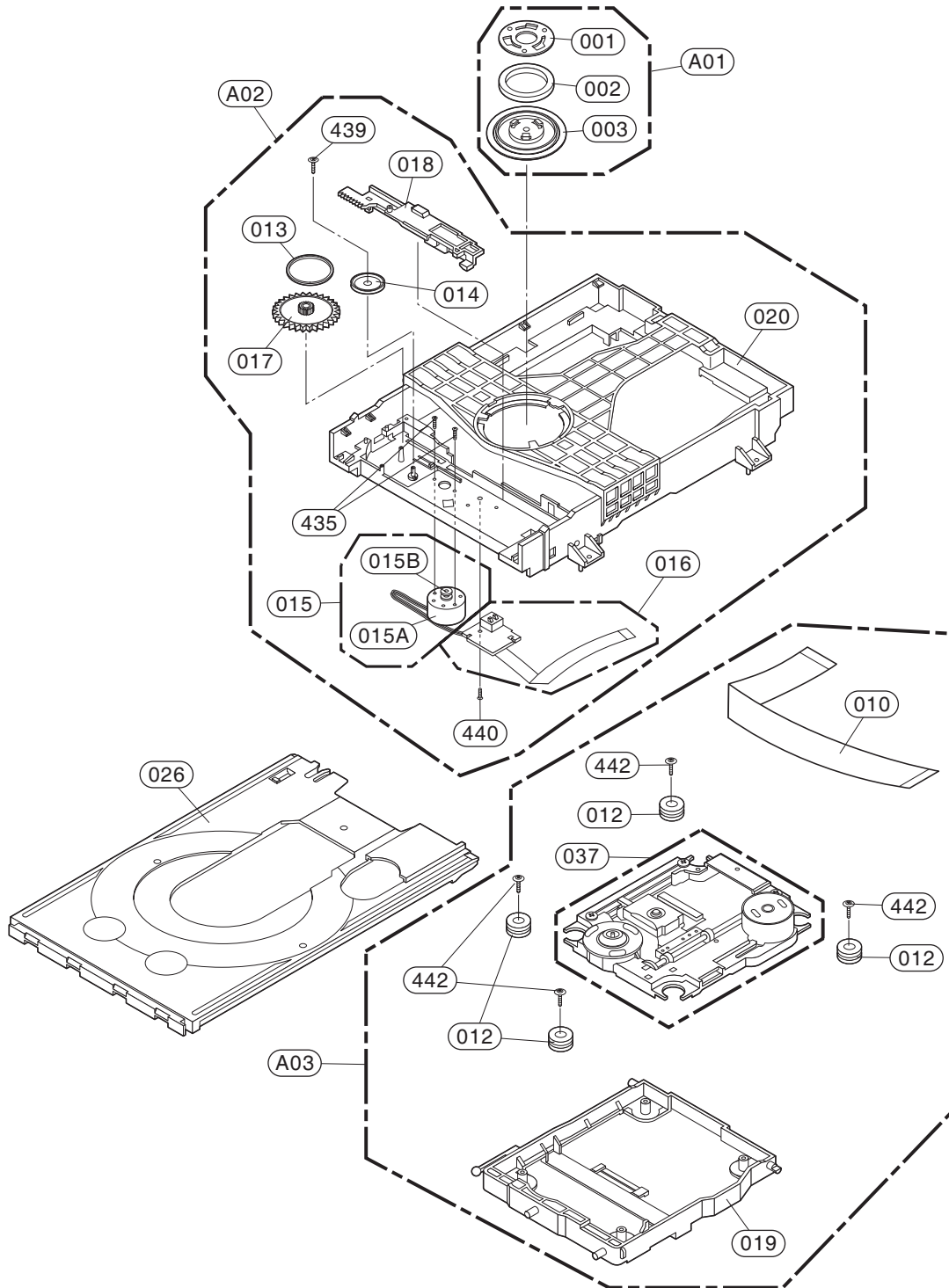
A

B

C

D

2. DECK MECHANISM SECTION (DP-15)



3. PACKING ACCESSORY SECTION

★ OPTIONAL PART

