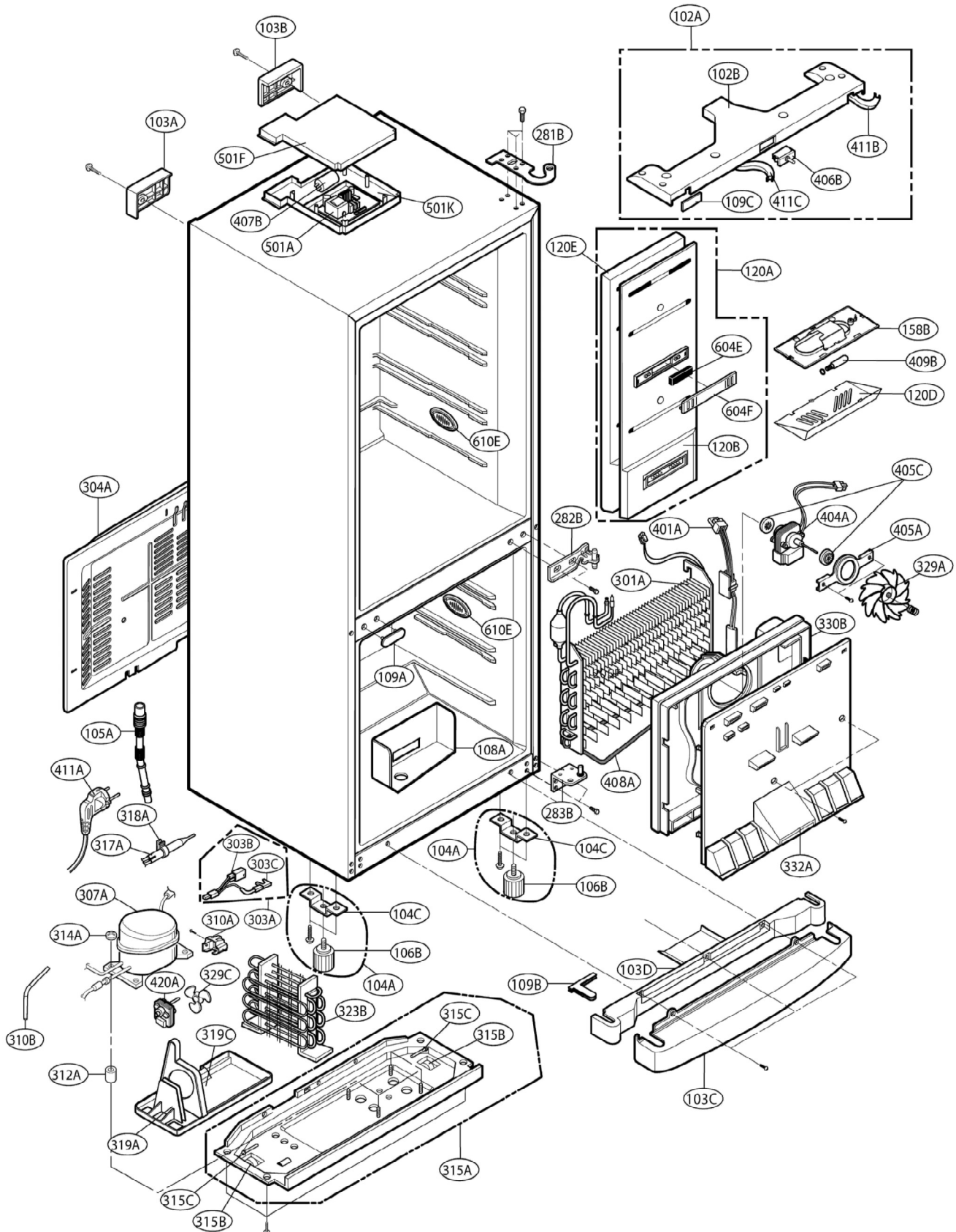


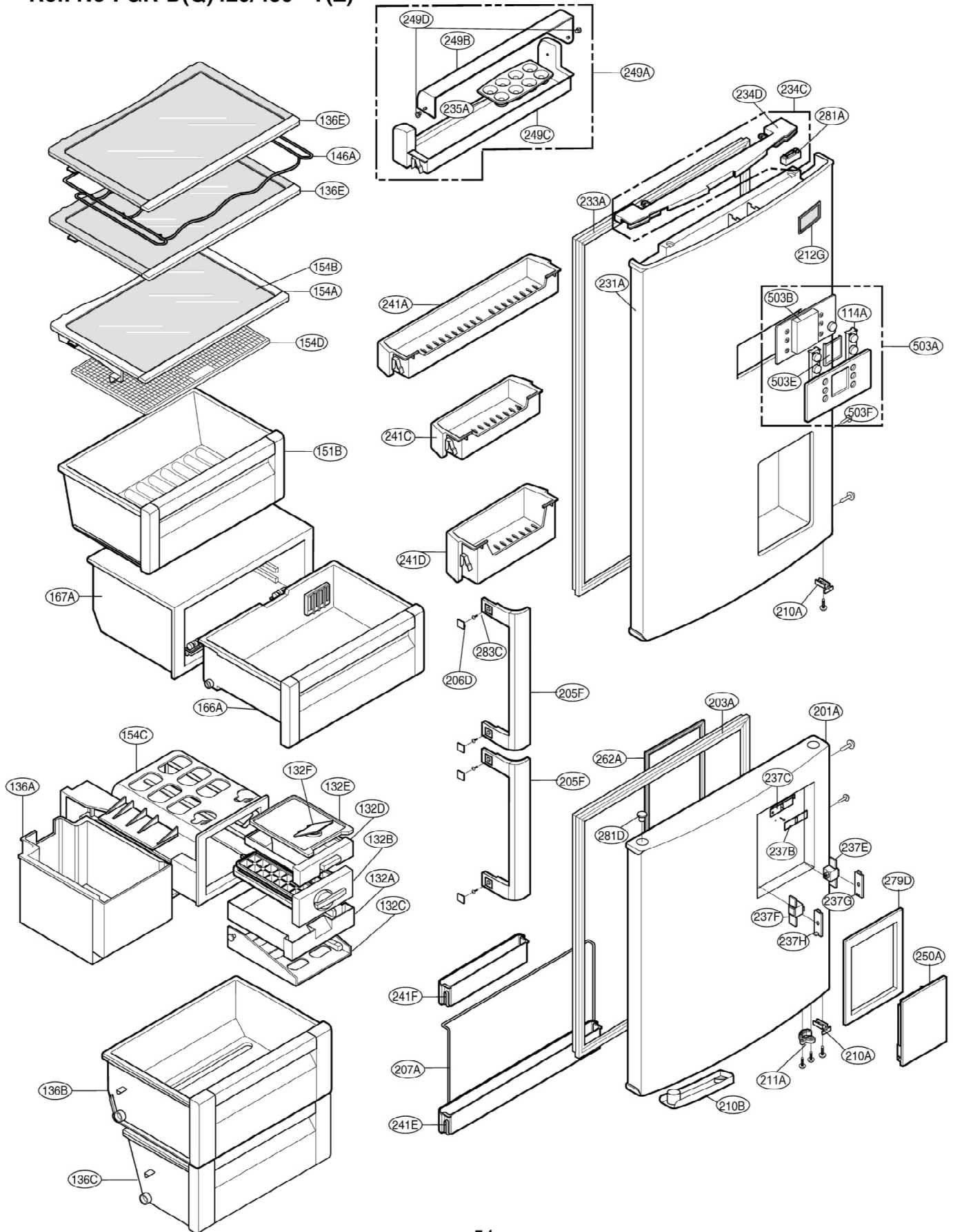
EXPLODED VIEW & REPLACEMENT PARTS LIST

Ref. No : GR-D(Q)429/459B*Y(G,Z)

▼ The parts of refrigerator and the shape of each part are subject to change in different localities.



Ref. No : GR-D(Q)429/459**Y(Z)



Ref. No: GR-Q429/459***

