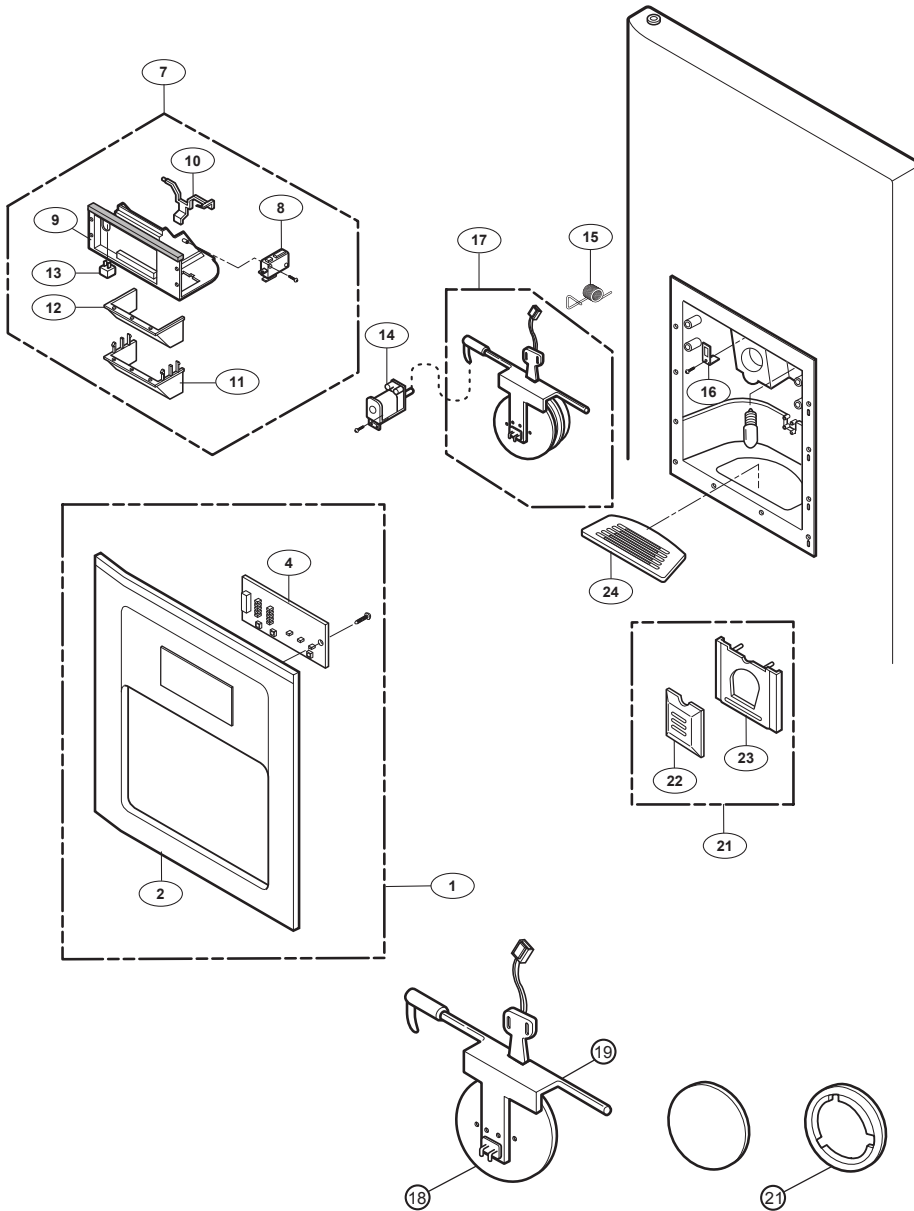


# HOW TO DISASSEMBLE AND ASSEMBLE

## 7) Dispenser Related Parts

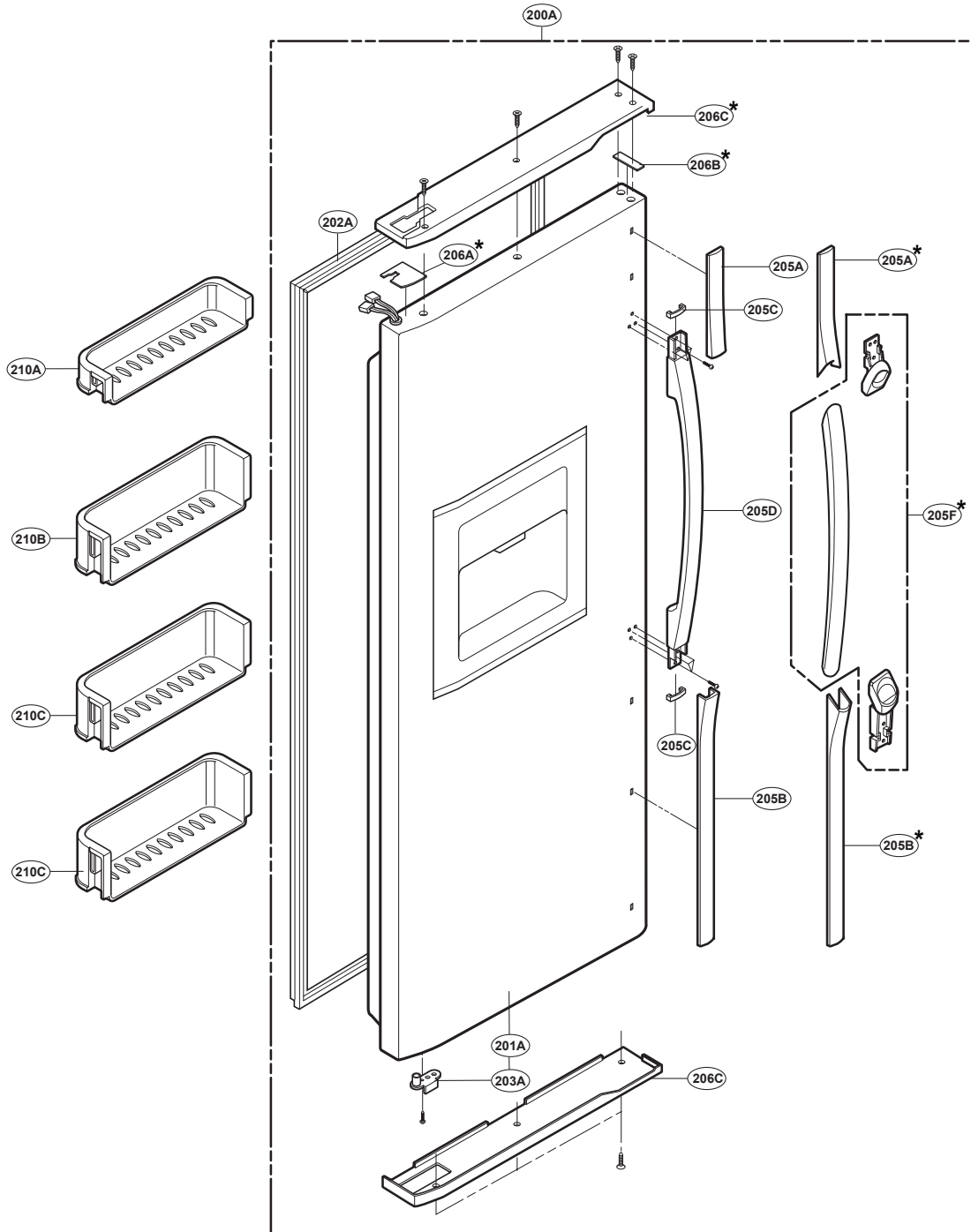


1	FRAME ASSY, DISPLAY
2	COVER, DISPENSER
4	PWB(PCB) ASSY, DISPLAY
7	FUNNEL ASSY
8	SWITCH, MICRO
9	FRAME, FUNNEL
10	LEVER(SWITCH)
11	FUNNEL
12	RUBBER, FUNNEL
13	SWITCH, ROCKER
14	SOLENOID ASSY
15	SPRING
16	HOLDER, LEVER
17	CAP, DUCT
19	LEVER, DISPENSER
20	RUBBER, CAP
21	BUTTON ASSY
22	BUTTON
23	HOLDER, BUTTON
24	DECO, DRAIN

< 17 Cap Assy, Duct Detailed Drawings >

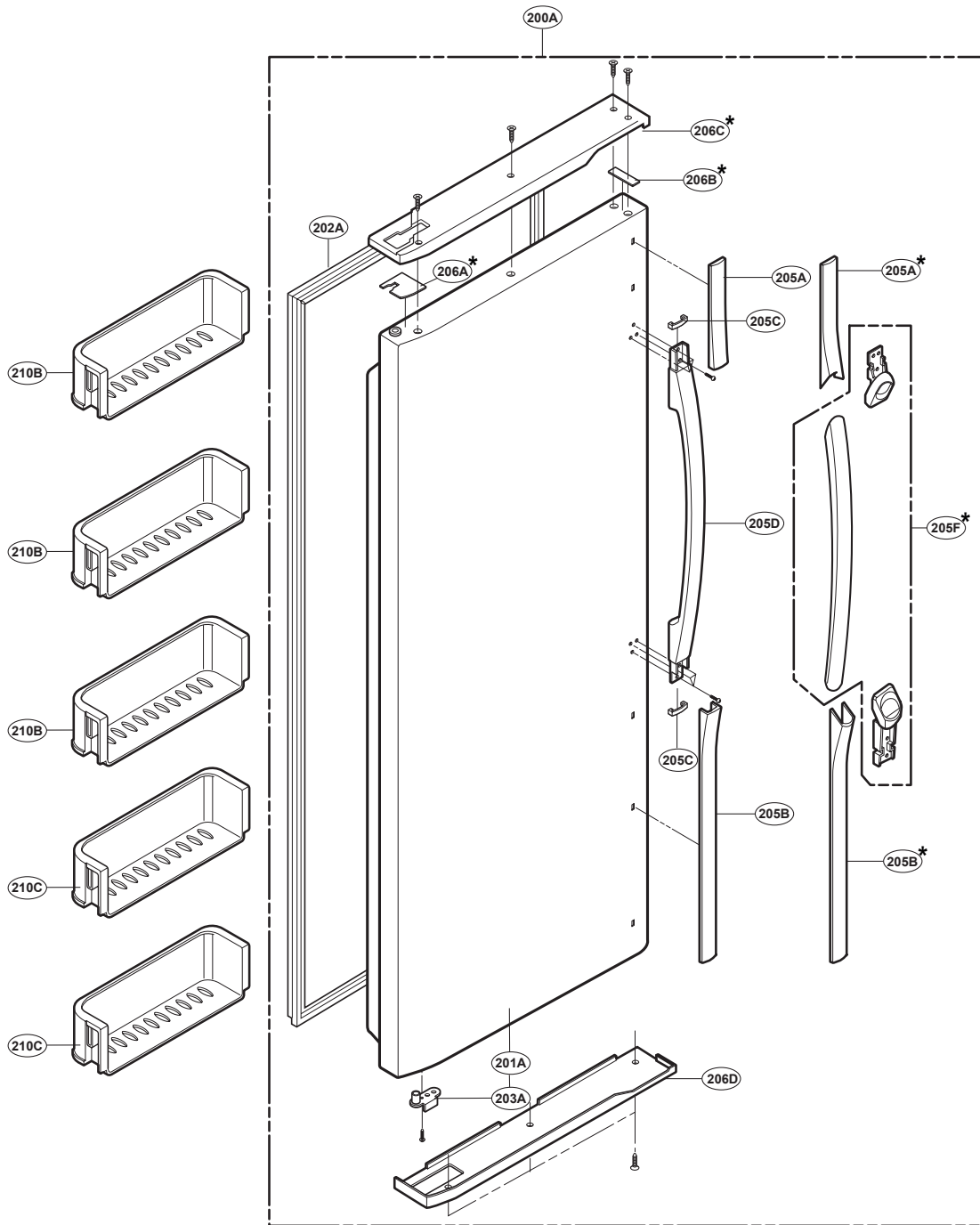
# EXPLODED VIEW

FREEZER DOOR PART: GR-P247, GR-P207, GR-L247, GR-L207



# EXPLODED VIEW

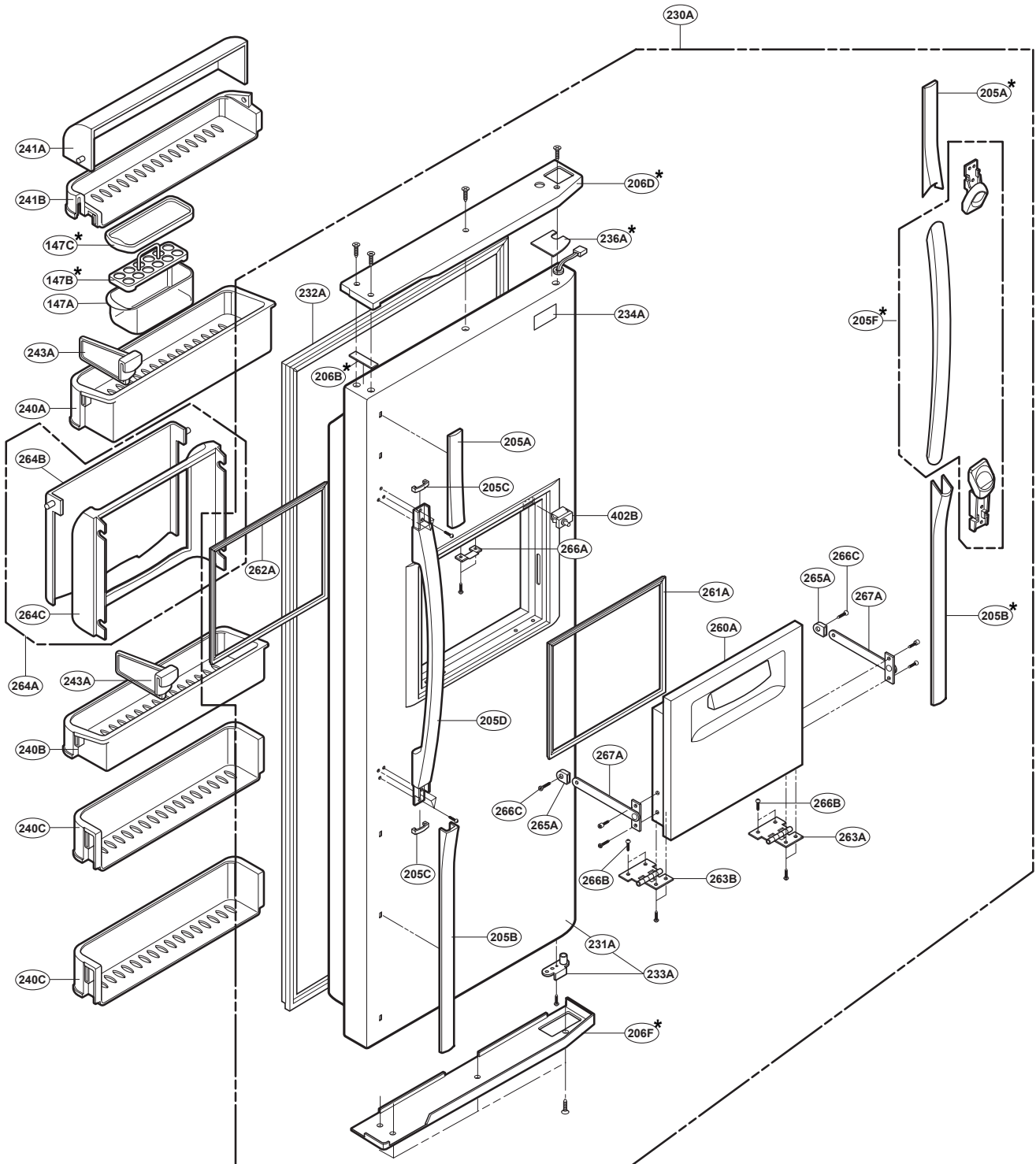
FREEZER DOOR PART: GR-C247, GR-C207, GR-B247, GR-B207, GR-B197



# EXPLODED VIEW

Ref No. : GR-P247, GR-P207, GR-C247, GR-C207  
REFRIGERATOR DOOR PART

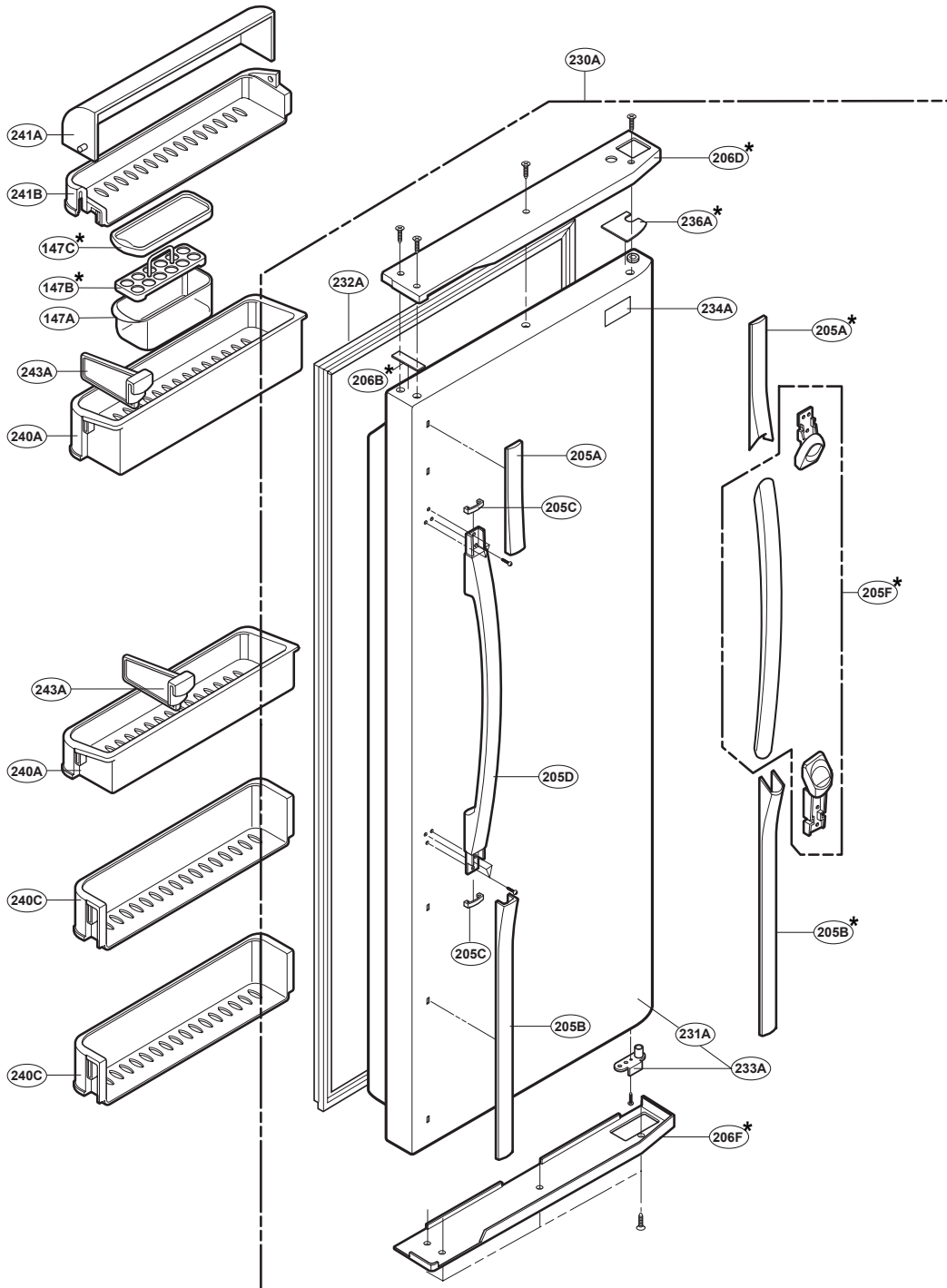
\* : Optional part



# EXPLODED VIEW

Ref No. : GR-L247, GR-L207, GR-B247, GR-B207, GR-B197  
REFRIGERATOR DOOR PART

\* : Optional part

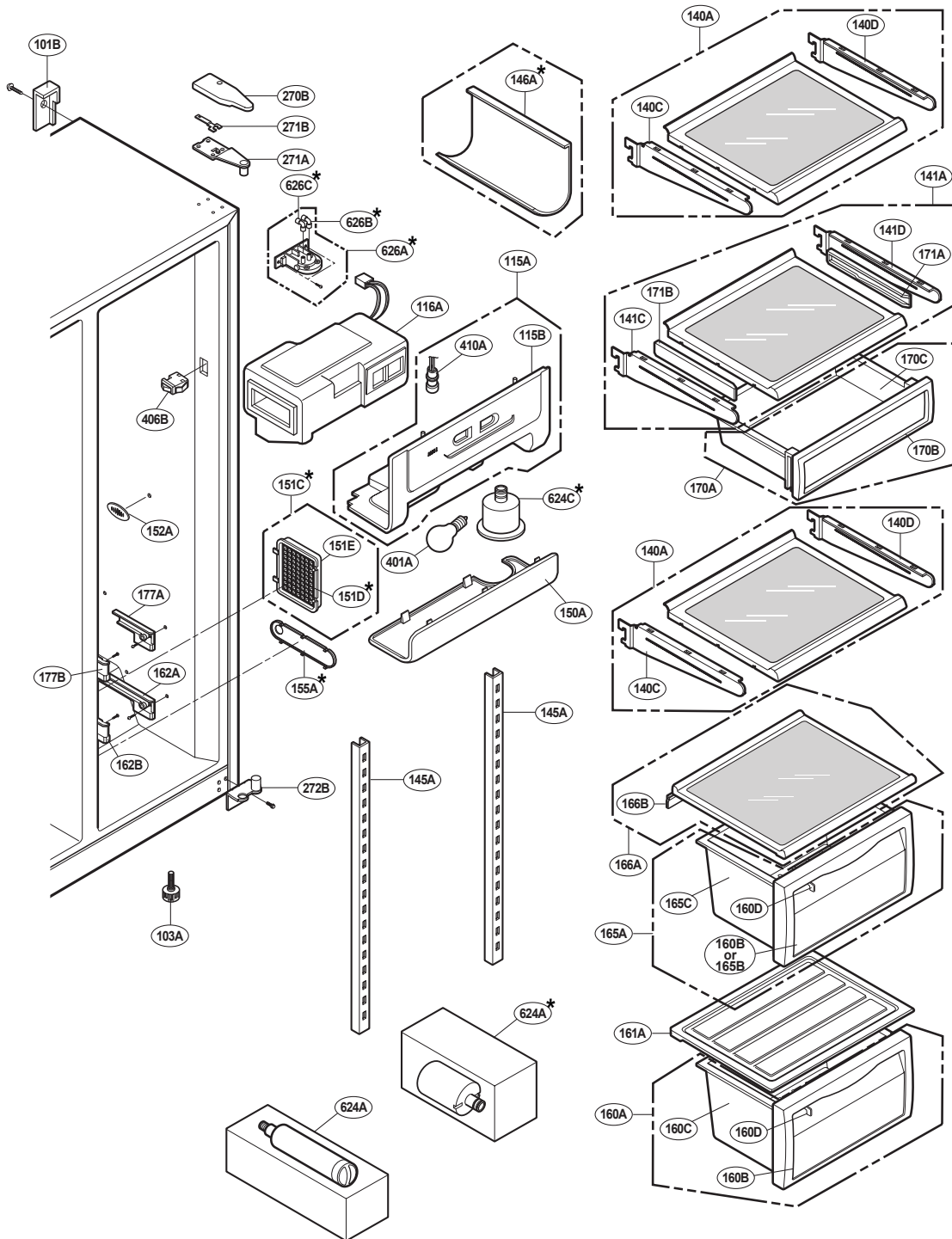




# EXPLODED VIEW

## REFRIGERATOR COMPARTMENT

\* : Optional part



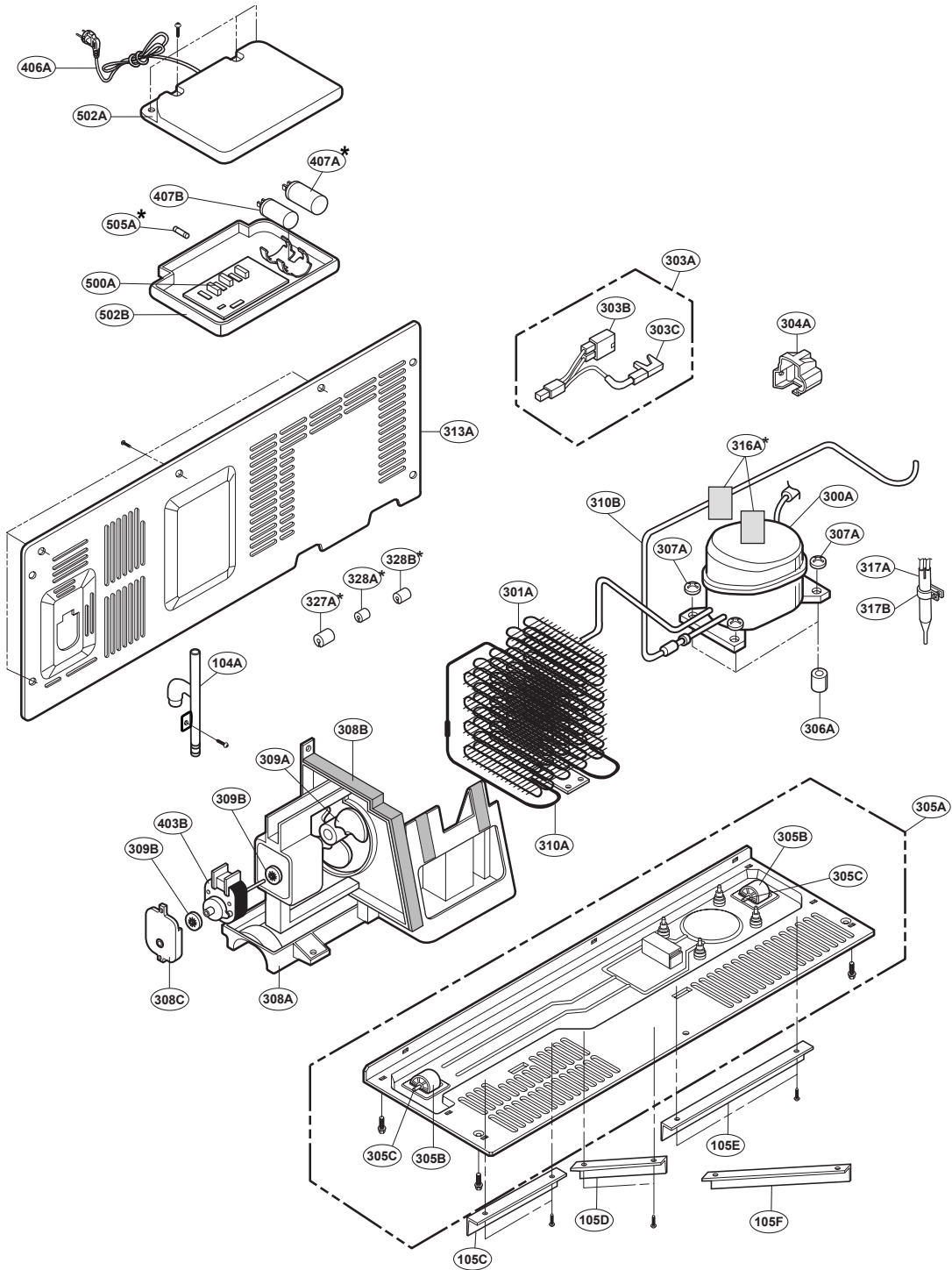




# EXPLODED VIEW

## MACHINE COMPARTMENT

\* : Optional part



# EXPLODED VIEW

## DISPENSER PART

