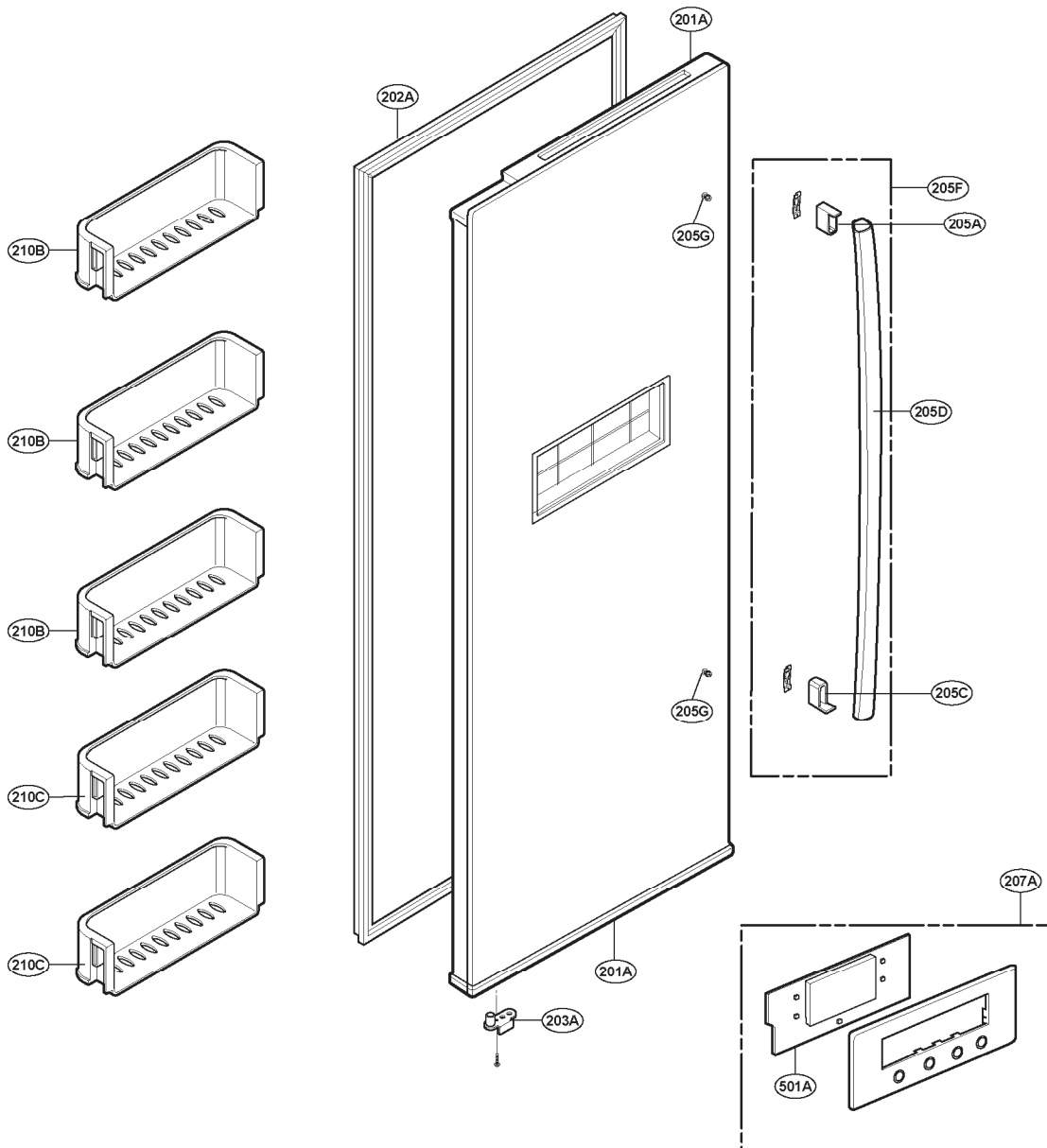


EXPLODED VIEW

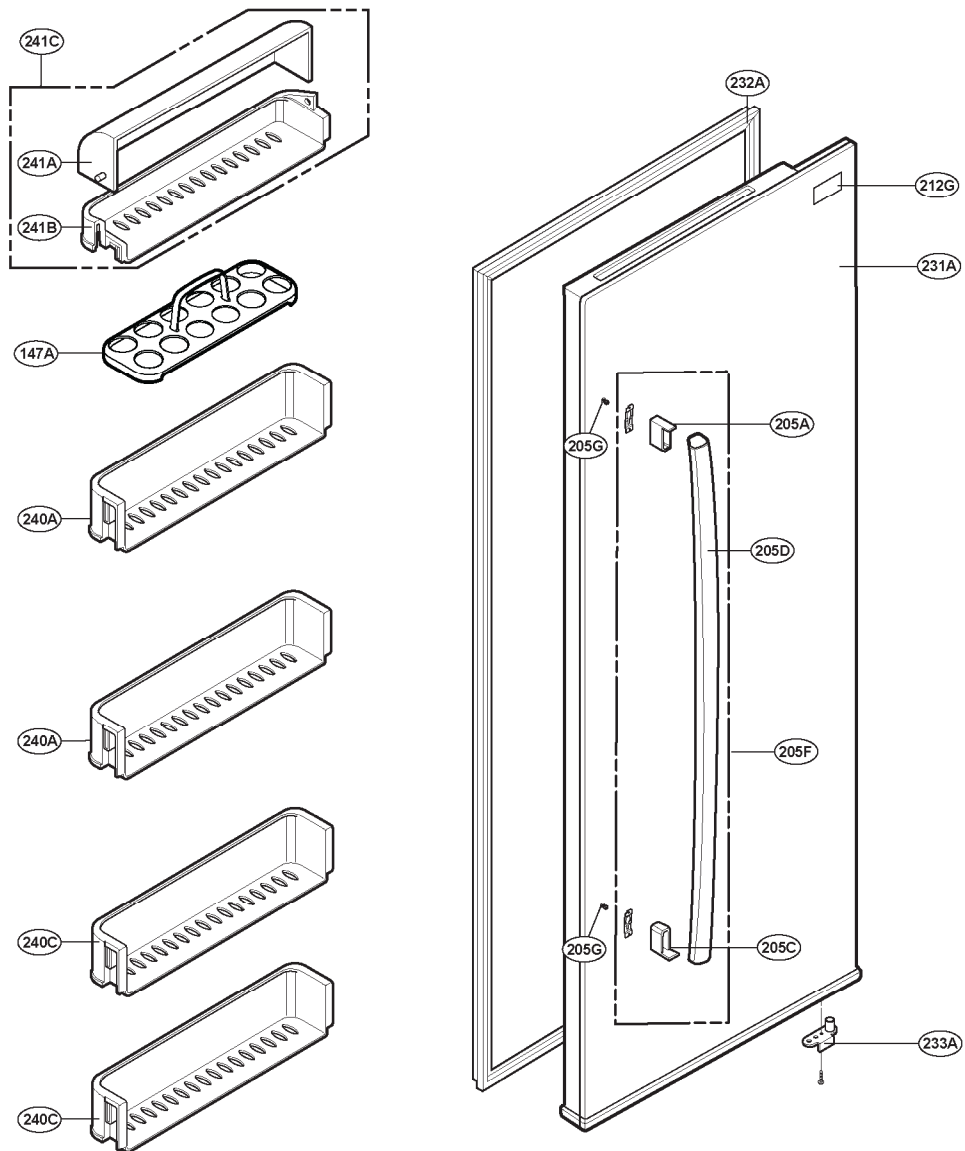
FREEZER DOOR PART
Ref No.: G S3159**J*



EXPLODED VIEW

REFRIGERATOR DOOR PART

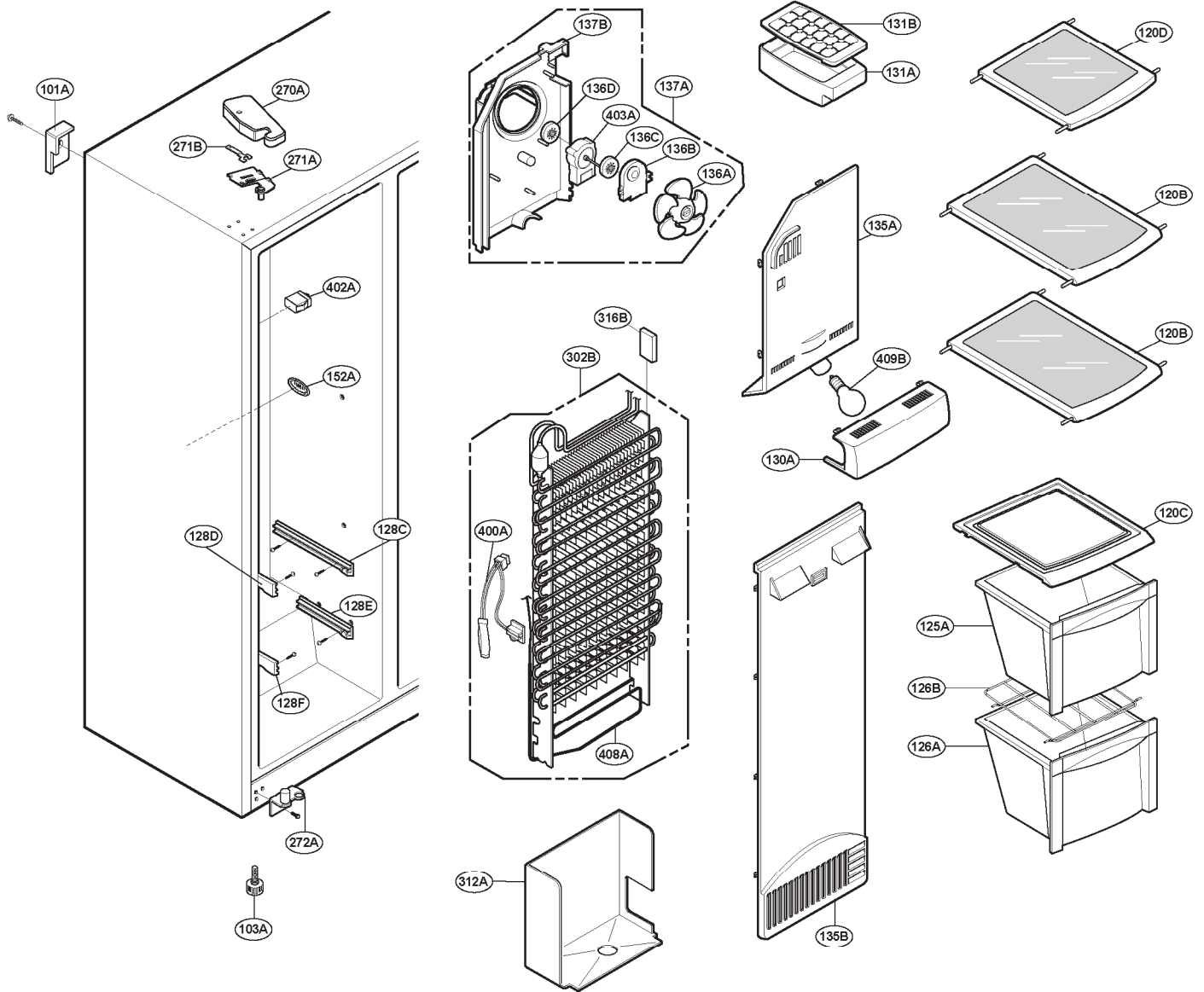
Ref No.: GS3159**(E/F/G/H/J)*



EXPLODED VIEW

FREEZER COMPARTMENT

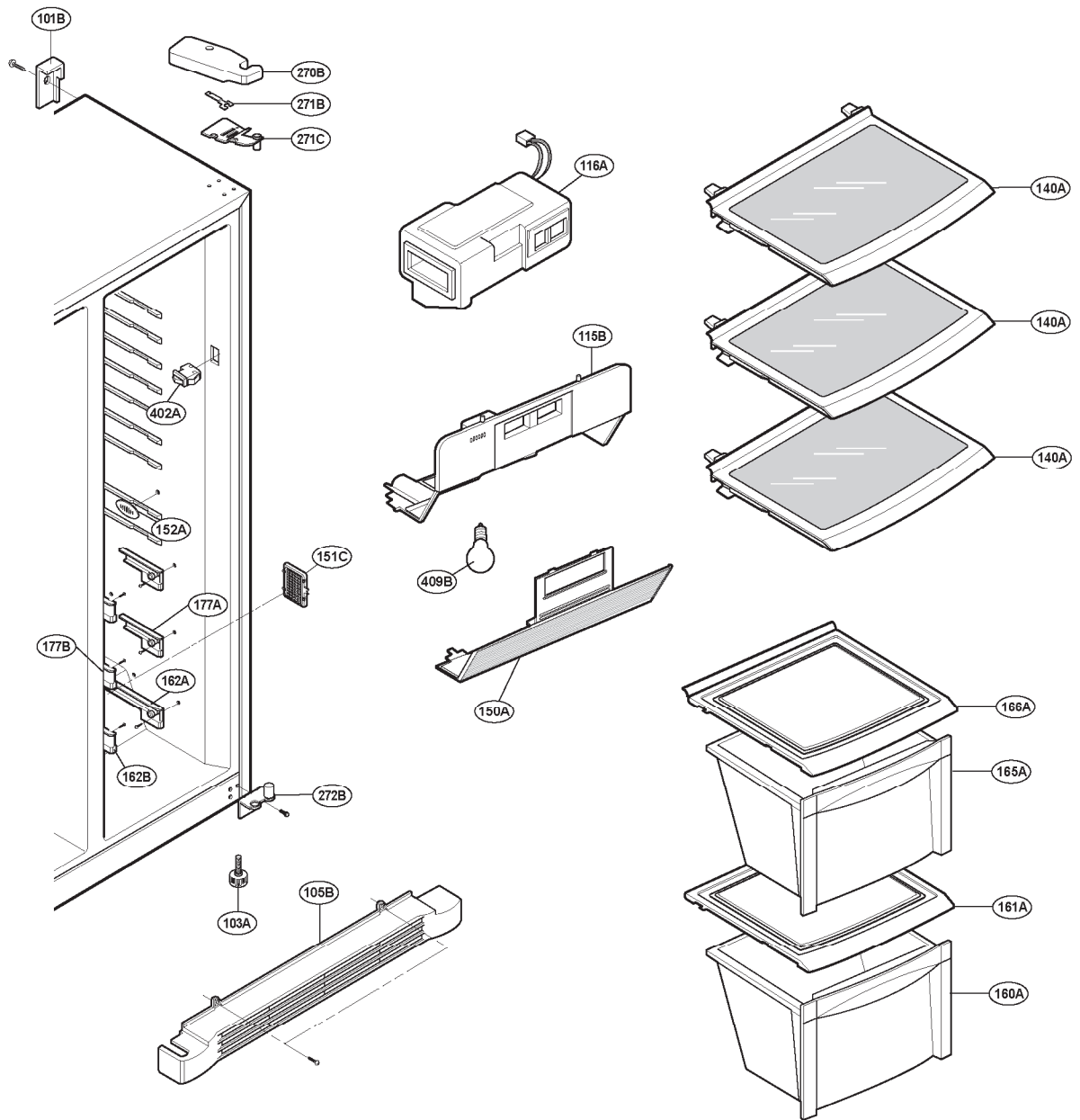
Ref No.: GS3159**J*



EXPLODED VIEW

REFRIGERATOR COMPARTMENT

Ref No.: GS3159**J*



EXPLODED VIEW

MACHINE COMPARTMENT

Ref No.: G S3159** (E/F/G/H/J)V

