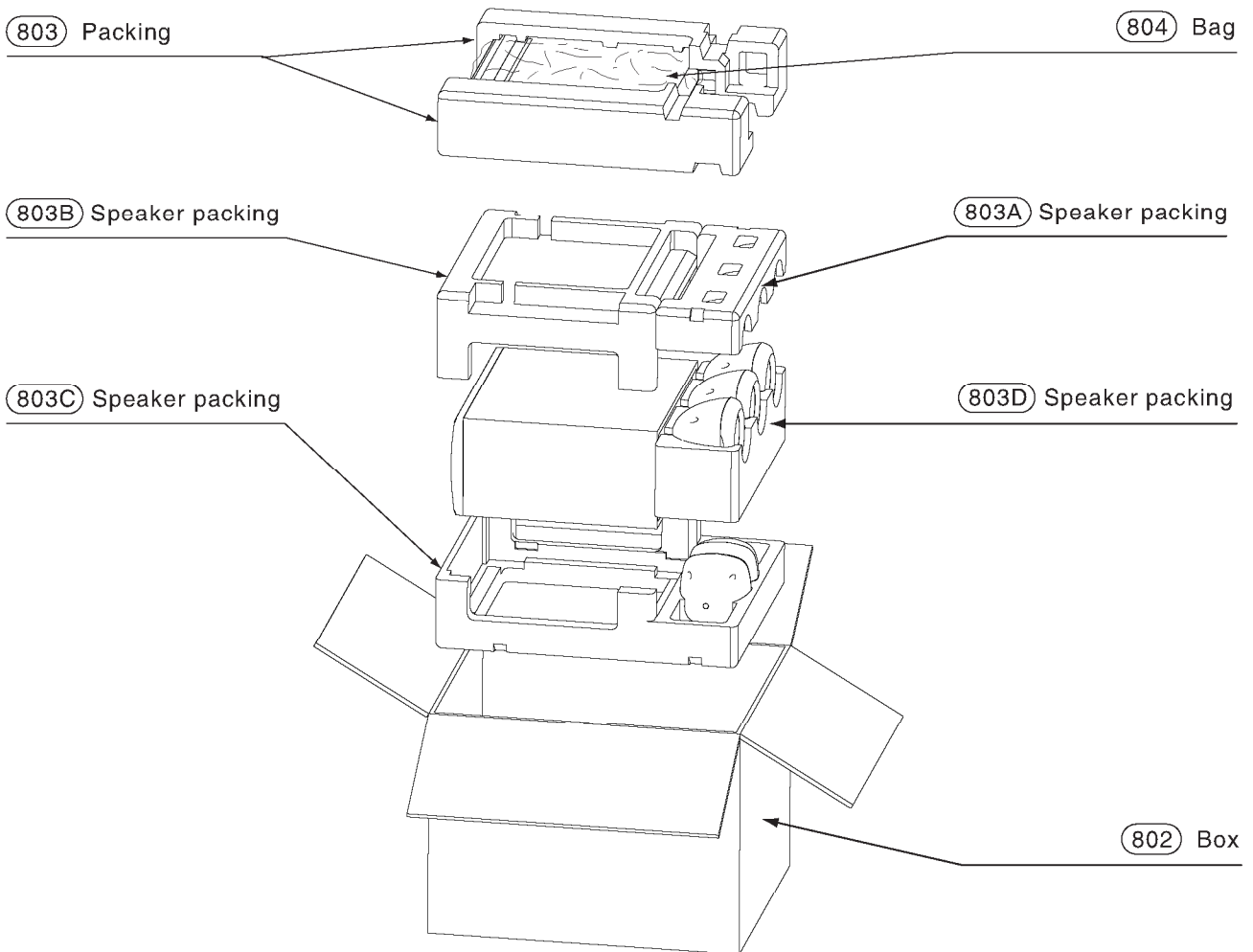
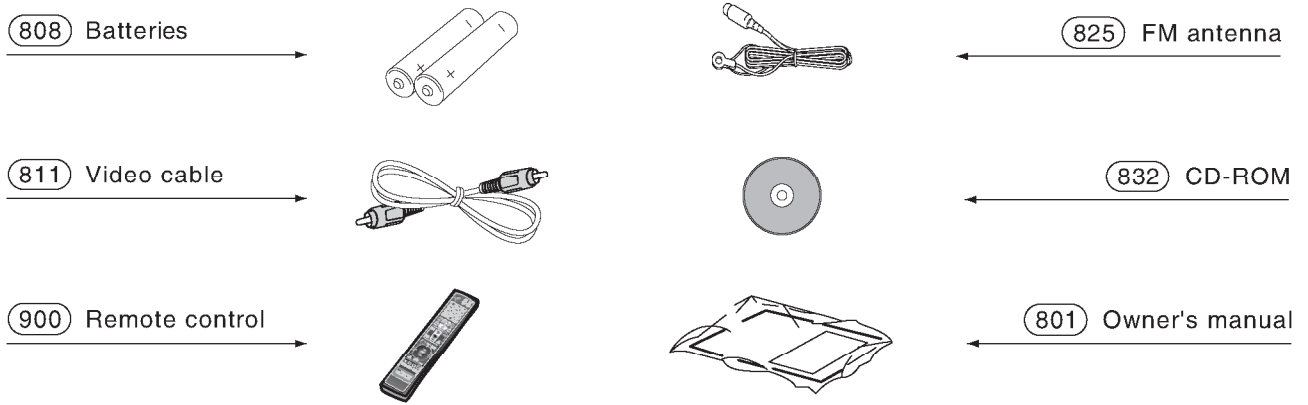




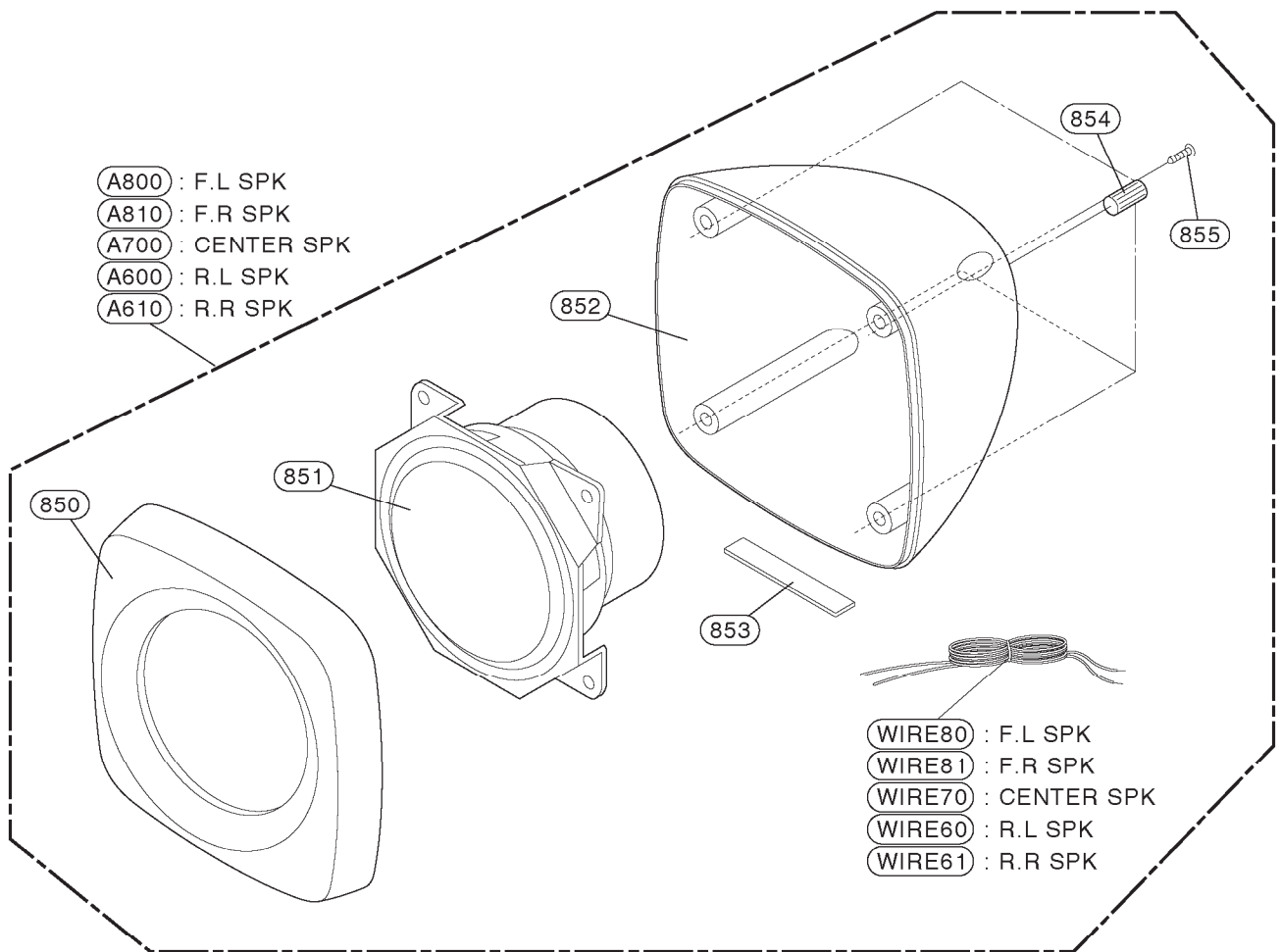


### 3. PACKING ACCESSORY SECTION



# 4. SPEAKER SECTION

## 4-1. FRONT/REAR/CENTER SPEAKER



4-2. PASSIVE SUBWOOFER

