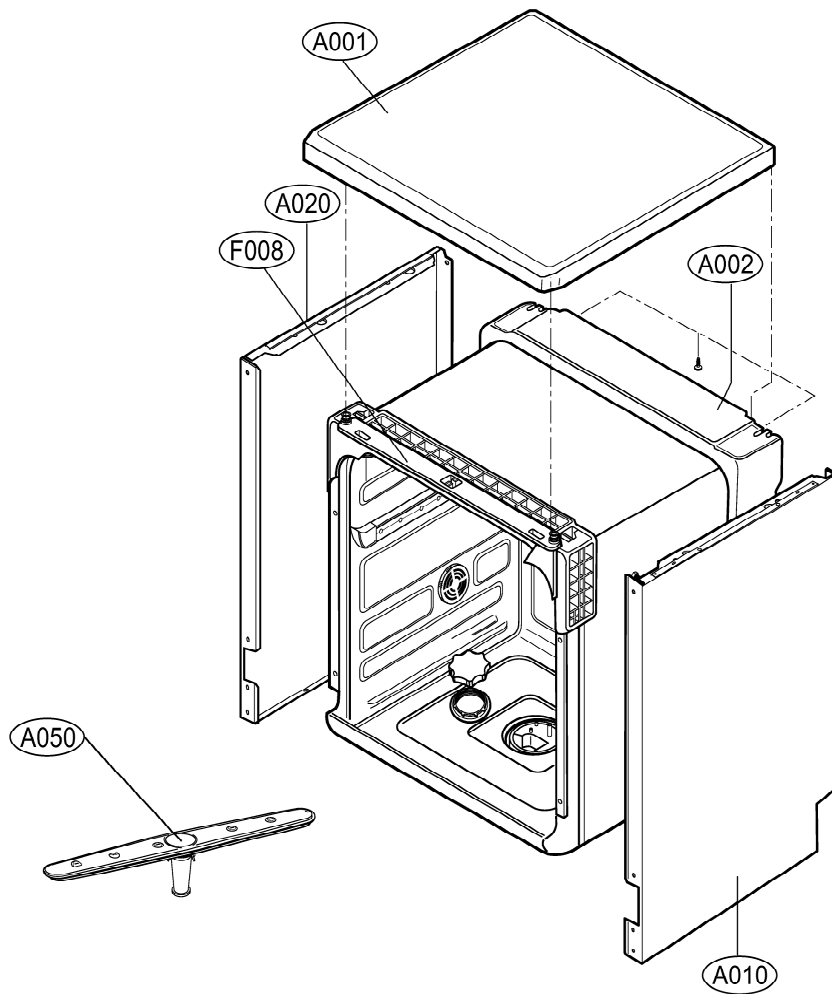
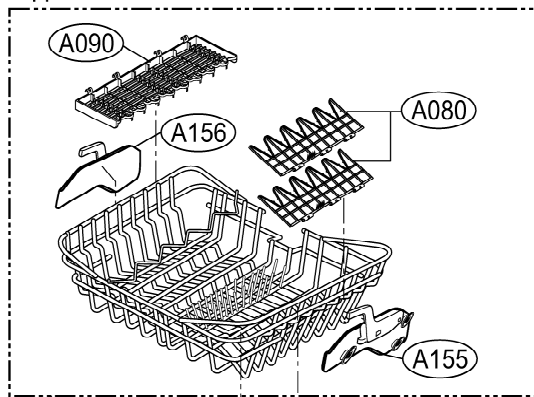


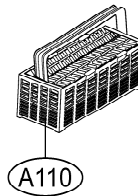
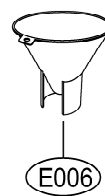
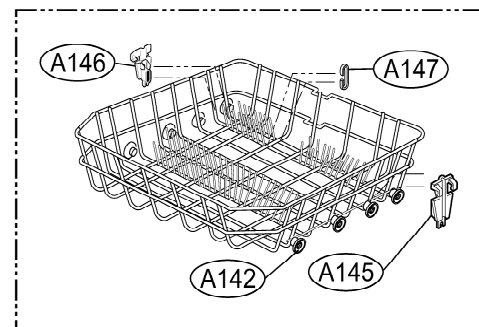
EXPLODED VIEW



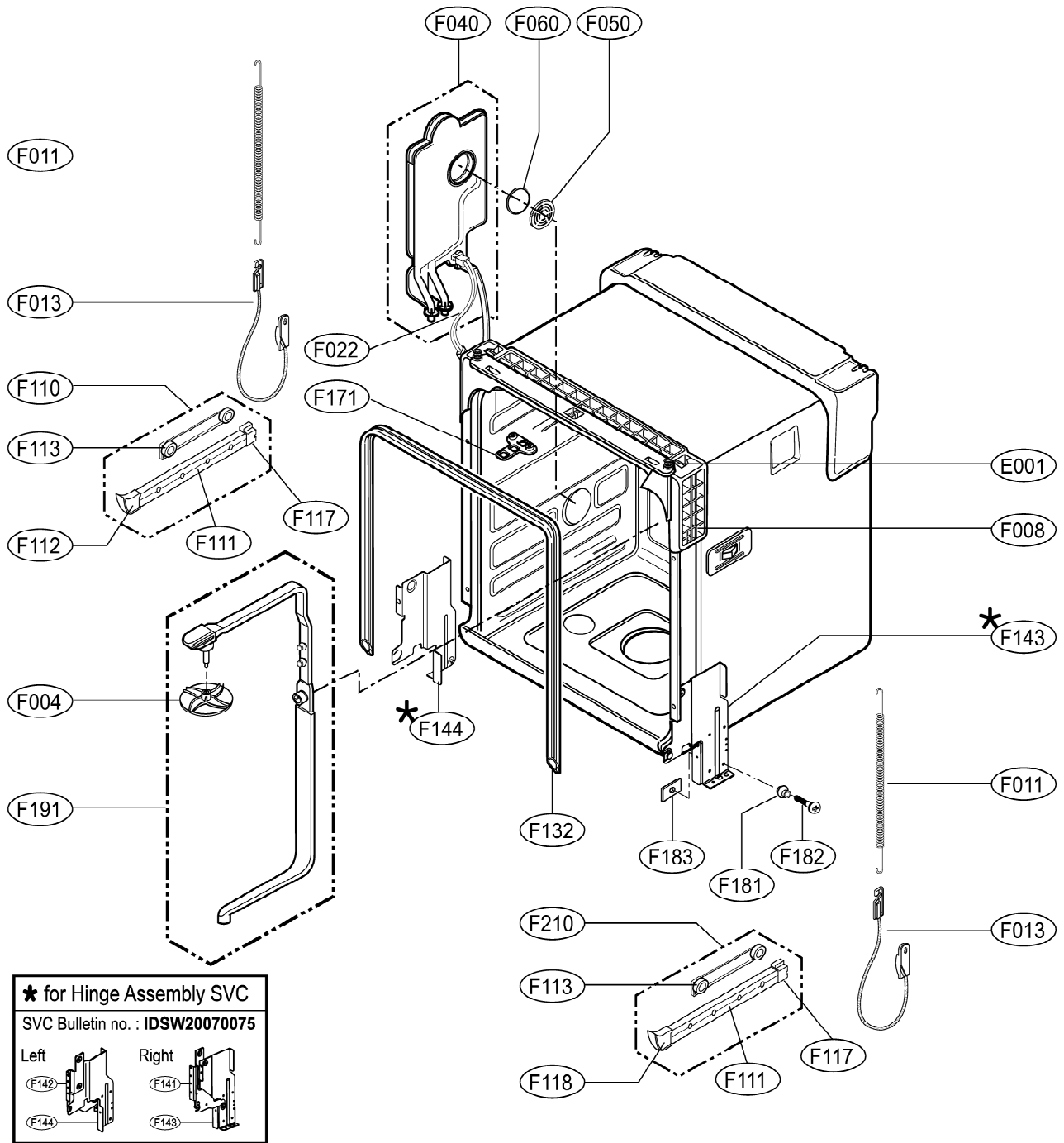
Upper Rack



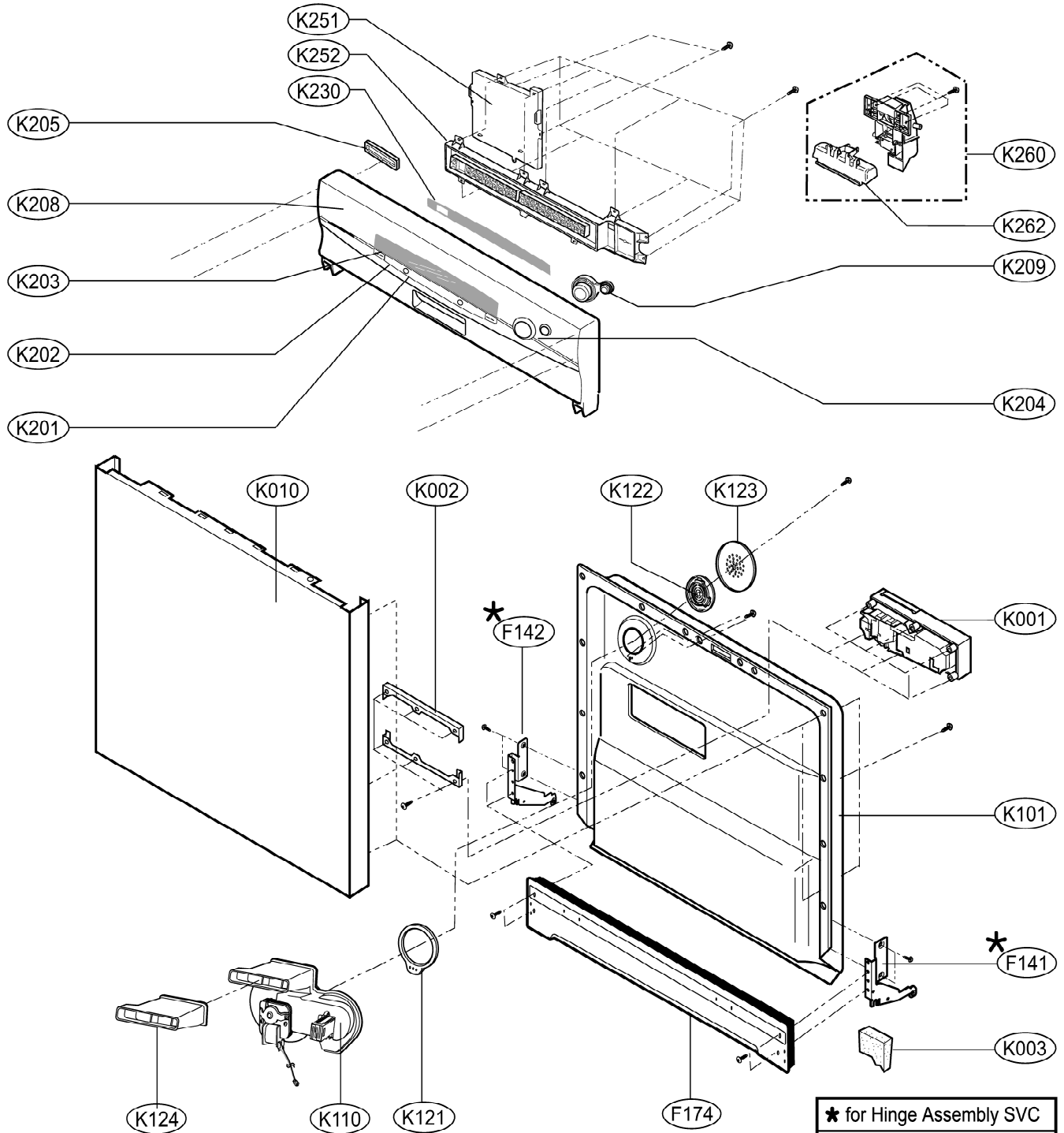
Lower Rack



EXPLODED VIEW - TUB ASSEMBLY



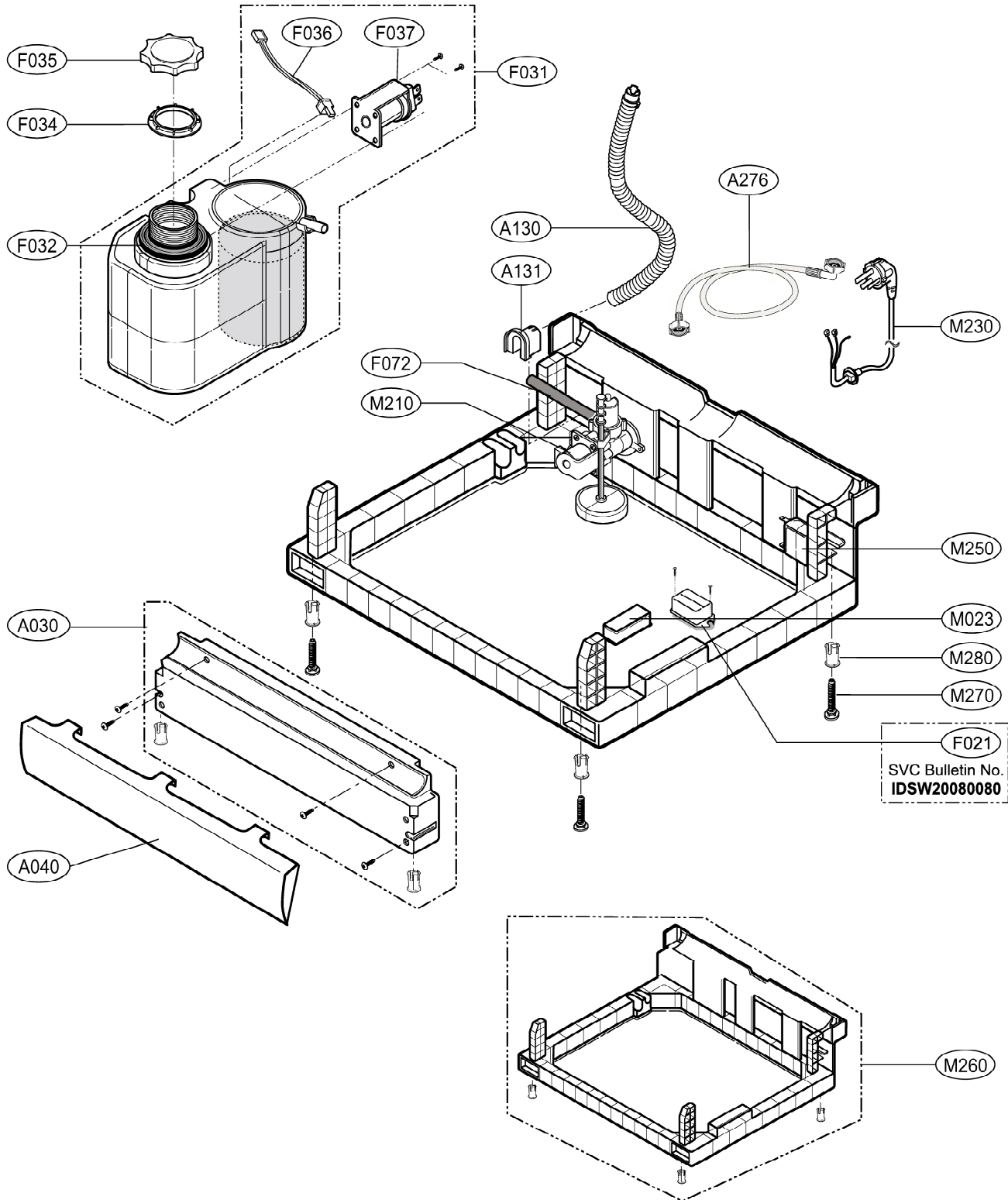
EXPLODED VIEW - PANEL ASSEMBLY / DOOR ASSEMBLY



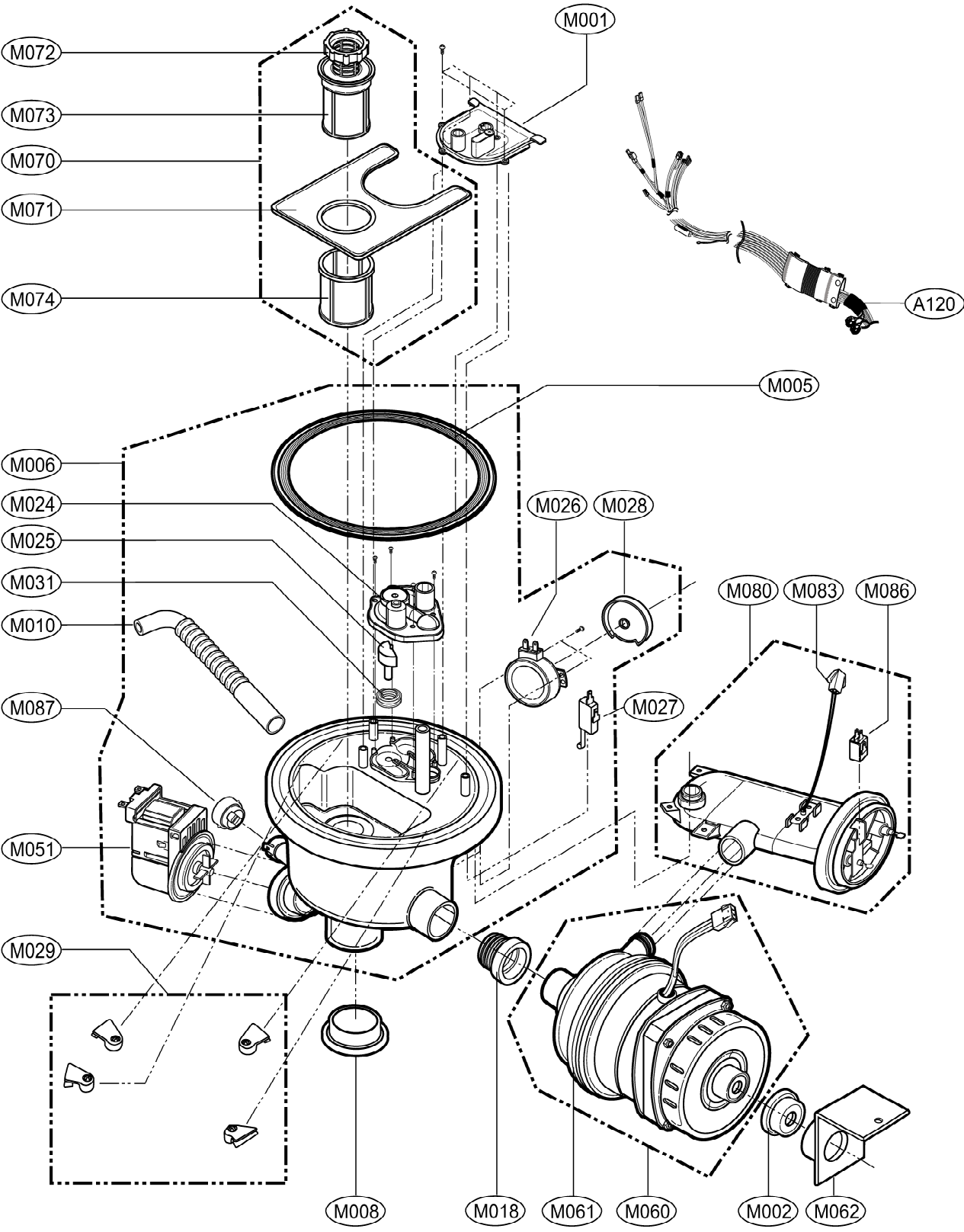
*** for Hinge Assembly SVC**
 SVC Bulletin no. : IDSW20070075

Left	Right

EXPLODED VIEW - BASE ASSEMBLY



EXPLODED VIEW - SUMP ASSEMBLY



Part No	Description(English)	Specification	Loc No
1NZZED4003A	Nut,Common	HFLAN 56MM GREEN P.P SIN JIN BOLT IND CO.	F034
3016ED3001A	Funnel	MOLD PP M-560 P.P(M560) LIGHT GRAY T2.0 NA NA	E006
3049ED1001A	Softener Assembly	CRISTAL-PJT(12KG) P.P(H540) NATURAL NA W200 L115 H130	F031
3080FD1044C	Door Liner	PRESS STS 304BA T0.7 STS304BA NATURAL T0.7 D/LINER+D/SHEET	K101
3090DD1001F	Cabinet	PRESS SECC T0.6 SECC-P E16/E16 TITANIUM T0.6 BACK HOLE 526.7*795.2 C	A010
3090DD1002F	Cabinet	PRESS SECC T0.6 SECC-P E16/E16 TITANIUM T0.6 BACK HOLE 526.7*795.2 C	A020
3111ED2001A	Case Assembly	CRYSTAL-PJT PUMP 50HZ, AG NANO	M061
3111ED2002X	Case Assembly	CRYSTAL 220V/230V HEATER 2-FUSE, INCOLOY800, AG NANO	M080
3122FD1049Q	Cover,Front	PRESS VCM T0.5 VCM TITANIUM T0.5 LD-12BT	K010
3122FD1049S	Cover,Front	PRESS PCM T0.6 PCM OFF WHITE T0.6 697*602, RIVET4	K010
3122FD1049T	Cover,Front	PRESS PCM T0.6 PCM SILVER T0.6 697*602, RIVET4	K010
3122FD1049U	Cover,Front	PRESS STS 304 T0.5 STS304 SILVER T0.5 RIVET4	K010
3122FD1049V	Cover,Front	PRESS VCM T0.6 VCM NOBLE INOX T0.6 RIVET4	K010
3122FD1049W	Cover,Front	PRESS VCM T0.5 VCM TITANIUM T0.5 RIVET4	K010
3122FD1049X	Cover,Front	PRESS VCM T0.5 VCM LUXURY SILVER T0.5 RIVET4	K010
3210ED1001A	Frame,Top	MOLD PP P.P DARK GRAY NA CRYSTAL	F008
3300ED3007C	Plate,Control	PRINTING MF-3/LD-2034 SPA BLACK SPAIN	K230
3301ER1001Y	Plate Assembly,Top	NA(PATTERN)/CRYSTAL ABS(SG-175G) TITANIUM	A001
3485ED1001N	Sump Assembly	CRYSTAL EXPORT(F/S),SENSOR(X), AG NANO	M006
3550DD1005F	Cover,Lower	MOLD ABS SG-175G ABS(SG-175G) TITANIUM T3.0 EMERALD SEMI	A040
3550ED3009A	Cover,Guide	MOLD PP HT-42 P.P(HT42) NATURAL T2.0 VARIO COVER	M024
3551DD1009D	Cover Assembly,Front	DISH WASHER T0.5 RIVET4 VCM SECC TITANIUM NA	K010
3720ED1001G	Panel,Control	MOLD ABS SG-175 ABS(SG-175G) TITANIUM T2.0 MF-PJT, EXPORT	K208
3750ED2002C	Rack	MOLD POM LUCEL N109-LD POM(LUCEL N109-LD) DARK GRAY T2.0 CRYSTAL	A090
3750FD2036C	Rack	MOLD POM LUCEL N109-LD POM(LUCEL N109-LD) DARK GRAY T2.0 CRYSTAL	A080
3751ED0001J	Rack Assembly	CRYSTAL2 DARK GRAY HEIGHT ADJUSTABLE RACK	A150
3751ED1001K	Rack Assembly	CRYSTAL2 DARK GRAY 50% FOLD DOWN	A140
3790ED1001B	Window	MOLD PC LEXAN-121 PC LEXAN-121 BROWN NA MF	K203
3806ED1001H	Decor,Panel	MOLD ABS SG-175 ABS(SG175) NOBLE INOX NA	K202
3806ED2001C	Decor,Knob	MOLD ABS ABS SILVER T2.0 LD_12BT7 SILVER SPRAY	K204
3828ED3001K	Manual,Service	PRINTING MF2,MF3/LD-2040,LD-2034 ENGLISH 2CLR SNOW WHITE CRYSTAL	*003
3829ED3003X			*001
383EDD1001A	Parts Assembly	BASE SUB ASSEMBLY LG LG SVC	M260
383EDD1002A	Parts Assembly	BASE SPACE SUB ASSEMBLY LG LG SVC	A030
3890EZ3314A			*002
3920DD3006A	Packing	EPDM BLACK T2.0 FRONT EMERALD	F132
3920ED4009A	Packing	MOLD NBR NBR BLACK T6.0 CENTER CRYSTAL-PJT	M031
3920FD4305A	Packing	MOLD NBR NBR BLACK T2.5 NA DISH WASHER	F032
3940FD4149A	Packing	MOLD POLYURETHANE POLYURETHANE GRAY NA DOOR GDW-120M	K003
3940FD4174C	Damper	CUTTING PU PU FOAM BLACK T15 W90.5 L25.5 0.13 NON UL OPEN CELL NON	K205
3W40025C	Switch,Micro	VP533A-5F 1C1P 250VAC 15A VERTICAL 200GF BK - DAESUNG	M027
3W40025L	Switch,Micro	D3V-16G-1C25 1C2P 250VAC 16A VERTICAL 200GF BK - OMRON COPORATIO	M086
3W40040F	Capacitor,Film,Box	3W40040F 5uF -5TO+10% 450V PP -10TO+65C NON-IND 58.6X34X21MM 33M	M250
4020FD3641C	Nut,Common	HFLAN 64MM DARK GRAY P.P SIN JIN BOLT IND CO.	F050
4026ED3001B	Locker,Handle	MOLD ABS GN-5001TF ABS(GN5001TF) GRAY T2.5 W163.5 MF	K262
4026FD4324A	Locker,Lock	CUTTING ZNDC ZNDC NA NA	F171

4027FD3621U	Locker Assembly	LD-2040SH,MH GRAY NA NA	K260
4430ED4001A	Cam,Switch	MOLD POM LUCEL N109-LD POM(LUCEL N109-LD) NATURAL NA CRYSTAL-PJT	M028
4580ED3001A	Roller	MOLD POM LUCEL N109-LD POM(LUCEL N109-LD) NATURAL NA D20 H14.5 H	F181
4580ED4002A	Roller	MOLD POM LUCEL N109-LD POM(LUCEL N109-LD) GRAY T1.5 D25 H14 ROLLE	F113
4580ED4002A	Roller	MOLD POM LUCEL N109-LD POM(LUCEL N109-LD) GRAY T1.5 D25 H14 ROLLE	F113
4581DD3001A	Roller Assembly	CRYSTAL2 DARK GRAY	F110
4581DD3001B	Roller Assembly	CRYSTAL2-L DARK GRAY	F210
4581DD3003A	Roller Assembly	CRYSTAL LOWER DARK GRAY	A142
4581DD3003A	Roller Assembly	CRYSTAL LOWER DARK GRAY	A142
4620ED3001A	Stopper,Roller	MOLD POM HI-510 POM(HI 510) GRAY T1.5 W43.5 STOPPER,ROLLER	F117
4620ED3001A	Stopper,Roller	MOLD POM HI-510 POM(HI 510) GRAY T1.5 W43.5 STOPPER,ROLLER	F117
4620ED3002A	Stopper,Roller	MOLD POM LUCEL N109-LD POM(LUCEL N109-LD) GRAY T1.5 W30 GUIDE,RO	F112
4620ED3003A	Stopper,Roller	MOLD POM POM DARK GRAY NA NA	F118
4681EA2002F	Motor Assembly,AC,Pum	4681EA2002F 220TO240V 350MA 35W 50HZ 2P 30uF 450VAC 3000 LG ELECT	M051
4681ED3001A	Motor Assembly,AC,Drai	220/240V 0A 2.5W 50/60HZ 2P N/A 5/6	M026
4778ED3001A	Leg	MOLD PA P.A NATURAL NA L62 CRYSTAL-PJT	M270
4810FD3805A	Bracket Assembly	GDW-126KW GALBARUM T1.0	K002
4811FD3667A	Bracket Assembly	GDW-122MW	F174
4830ED3001A	Bush	MOLD POM POM NATURAL NA LEG NA CRYSTAL-PJT	M280
4866ED1002A	Balance Weight	MOLD PP M-560 P.P(M560) GRAY T2.5 3.2KG CRYSTAL-PJT	A002
4900ED3001A	Damper	MOLD NBR NBR BLACK NA DAMPER SUMP	M008
4900ED4001A	Damper	MOLD EPDM EPDM BLACK NA BUTHYL	M002
4900ED4001A	Damper	MOLD EPDM EPDM BLACK NA BUTHYL	M002
4900ED4002A	Damper	MOLD NBR NBR BLACK NA	M023
4924FD2123E	Dispenser	MOLD PP P.P GRAY NA UDDY-PJT	K001
4930ED2003A	Holder	MOLD PP HT-42 P.P(HT42) LIGHT GRAY NA NOZZLE CRYSTAL HOLDER,NOZZL	M001
4930ED3003C	Holder	MOLD POM POM SKY BLUE NA PIPE OPAL PJT (LD-2160, 2150)	A145
4930ED3004C	Holder	MOLD POM POM SKY BLUE NA PIPE OPAL PJT. (LD-2160, 2150)	A146
4930ED3009A	Holder	MOLD PP HT-42 P.P(HT42) METALIC GRAY NA HOSE CRYSTAL-PJT HOLDER,D	A131
4930ED3011A	Holder	MOLD NYLON 6 NYLON 6 NATURAL NA FILTER CRYSTAL SUMP	M029
4930ED3013A	Holder	MOLD POM LUCEL N109-LD POM(LUCEL N109-LD) DARK GRAY NA SHAFT FOL	A147
4930ER4001A	Holder	MOLD POM LUCEL N109-LD POM(LUCEL N109-LD) NATURAL NA FLAME DF-PJT	E001
4932ED3001B	Connector,Blower	MOLD PP P.P NATURAL NA	K124
4933ED3002A	Connector Assembly	DISHWASHER POLYESTER L225	F013
4933ED3002A	Connector Assembly	DISHWASHER POLYESTER L225	F013
4933ED3002A	Connector Assembly	DISHWASHER POLYESTER L225	F013
4940ED2002C	Knob,Power Switch	MOLD ABS SG-175 ABS(SG175) SILVER T2.0 SPRAY	K209
4970ED4004C	Spring,Hinge	CUTTING HSW 3 HSW-3 D1.8 H251 103.75TUN RIGHT FZMY2 CRYSTAL-PJT	F011
4975ED1002A	Guide Assembly	CRYSTAL WATER	F191
4975ED1003D	Guide Assembly	CRYSTAL2/LD-2060 AIR AIR BREAK,LID CUSHION INSERT	F040
4975ED2003A	Guide Assembly	CRYSTAL-PJT WATER NOZZLE-U GUIDE	A070
4975ED2004A	Guide Assembly	CRYSTAL2 RACK ADJUST	A156
4975ED2005A	Guide Assembly	CRYSTAL2 RACK ADJUST	A155
4980ED4001A	Supporter,Holder	MOLD LUPOL 2300 LUPOL 2300 NATURAL T2.0 KIMHAE MOTOR BRACKET	M062
4980ED4001A	Supporter,Holder	MOLD LUPOL 2300 LUPOL 2300 NATURAL T2.0 KIMHAE MOTOR BRACKET	M062
4986ED3001A	Gasket	EXTRUSION NBR NBR BLACK NA TUB MF-PJT PUMP GASKET	M018
4986ED3005A	Gasket	EXTRUSION NBR NBR BLACK NA SUMP HS55	M005

4986FD3643A	Gasket	EXTRUSION NBR NBR BLACK NA DOOR FDX-PJT	F060
4W50051A	PV LEVER BOLT	D6.0 13.5MM 15MM MSWR/FZMY2	F182
4W50382A	SPECIAL NUT	SCP1	F183
5005ED2003C	Basket Assembly,Spoon	EXPORT P.P(H540) DEEP GRAY	A110
5007DD2001A	Cap Assembly	DISHWASHER-COMMON DARK GRAY P.P(HT42) D88	F035
5007DD2001A	Cap Assembly	DISHWASHER-COMMON DARK GRAY P.P(HT42) D88	F305
5020ED1001C	Button,Control	MOLD ABS SG-175 ABS(SG175) NOBLE INOX NA SPRAY COATING	K201
5215DD3001A	Hose Assembly,Inlet	CRYSTAL BLACK L190	M010
5215ED3001B	Hose Assembly,Drain	CRYSTAL-PJT OUTLET GRAY L2000 NA	A130
5215ER2001A	Hose Assembly,Inlet	W/M/AQUA-STOP L1500 D27 GRAY NON.	A276
5215FD4225H	Hose Assembly,Connecto	CRYSTAL-PJT/SAFETY VALVE-AIR BREAKER BLACK L160	F072
5218ED3001A	Rail	CUTTING STS 304 STS304 NATURAL T0.8 L440 CYSTAL2	F111
5218ED3001A	Rail	CUTTING STS 304 STS304 NATURAL T0.8 L440 CYSTAL2	F111
5220ED3001A	Valve,Check	MOLD POM LUCEL N109-LD POM(LUCEL N109-LD) LIGHT GRAY NA CRYSTAL-	M025
5221ED1002A	Valve Assembly,Inlet	1WAY 220/240V 50/60HZ -90 NA 187 NA	M210
5221ED1002A	Valve Assembly,Inlet	1WAY 220/240V 50/60HZ -90 NA 187 NA	M210
5221ED1002A	Valve Assembly,Inlet	1WAY 220/240V 50/60HZ -90 NA 187 NA	M210
5221ED1002B	Valve Assembly,Inlet	1WAY 110V 60HZ 180 NA 250 NA	M210
5230ED2003A	Filter	MOLD PP HT-42 P.P(HT-42) LIGHT GRAY NA MESH 50MESH, AG NANO	M073
5230ED2004A	Filter	PRESS STS 304BA T0.4 STS 304-CSP/H NATURAL T0.4 - STAINLESS	M071
5230ED3003A	Filter	MOLD PP HT-42 P.P(HT-42) LIGHT GRAY NA MICRO MICRO FILTER, AG NANO	M074
5230ED3004	P.P(HT-42) LIGHT GRAY	P.P(HT-42) LIGHT GRAY NA INNER PLASTIC	M072
5230ED3004A	Filter	MOLD PP HT-42 P.P(HT-42) LIGHT GRAY NA INNER PLASTIC , AG NANO	M072
5231ED2001A	Filter Assembly,Mesh	CRYSTAL(AG NANO) LIGHT GRAY	M070
5248FD1067D	Nozzle Assembly	CRYSTAL2	A050
5249ED1003A	Nozzle Assembly	CRYSTAL-PJT RANGE-12	A060
5834FD3095A	Impeller,Blower	MOLD NBR NBR BLACK T1.5	K121
5834FD3100A	Impeller,Blower	PRESS STS 304BA T0.5 STS 304BA NA T0.5 NA	K123
5834FD3101A	Impeller,Blower	MOLD POM N109-LD POM(N109-LD) OFF WHITE T1.5	K122
5835ED2001A	Casing Assembly	MF 220/240V,50/60HZ	K110
5859ED1001A	Pump Assembly,Washing	XW-LG 45B SAM KANG 230V 50HZ 45W CRYSTAL-PJT	M060
5859ED1001A	Pump Assembly,Washing	XW-LG 45B SAM KANG 230V 50HZ 45W CRYSTAL-PJT	m060
5859ED1001E	Pump Assembly,Washing	DRC202E01 KMZ 230V 50HZ 55W	M060
5859ED1001E	Pump Assembly,Washing	DRC202E01 KMZ 230V 50HZ 55W	M060
5910ED4001A	Impeller	MOLD PP HT-42 P.P(HT42) LIGHT GRAY T1.5 D61	F004
6322FD3671C	Thermistor,NTC	17.6KOHM 5% - - 3.97KK LEAD BK - SHINKI INDUSTRY	M083
6411FD1097N	Power Cord Assembly	6411FD1097N C-4-2 SL-15P_SL-15P_ST710095-2 2.2M 450MM 250V 10A H05V	M230
6421ED3002A	Solenoid Assembly	SOLENOID . 220/240V 10A CRYSTAL-PJT	F037
6501ED2002C	Sensor Assembly	LG SK SENSOR SOIL DC5V NON SENSOR	M087
6501ED4001B	Sensor Assembly	2N6075A E-CELL HALL 5V HOUSING(RED) EW-512C ASAIKASAI	m060
6501ED4001E	Sensor Assembly	6501ed4001 LG SK SENSOR HALL 5V HALL MLX2882-SMD HOUSING(BLUE)+C	F036
6501ED4001F	Sensor Assembly	6501ed4001F LG SK SENSOR HALL 5V HALL 412C+C103+C104-SMD HOUSING	F022
6871ED9003A			K251
6871ED9003B	PCB Assembly,Main	MF3 CRYSTAL(SVC) 240V 50/60HZ PUMP 2WAY DISPLAY 6871EC1095A_DISPL	K252
6871ED9003C			K251
6871ED9003D			K252
6871ED9003E	PCB Assembly,Main	LD-2040SERIES(SVC) 220/240V 50/60HZ PUMP 1WAY MAIN 6871EC1095C_MA	K251

6871ED9003F	PCB Assembly,Main	LD-2040SERIES(SVC) 220-240V 50/60HZ PUMP 1WAY DISPLAY 6871EC1095C	K252
6871ED9003G	PCB Assembly,Main	MF3-PJT_CRYSTAL(SVC) 220-240V 50/60HZ PUMP 1WAY MAIN 6871EC1095D	K251
6871ED9003H	PCB Assembly,Main	MF3-PJT_CRYSTAL(SVC) 220-240V 50/60HZ PUMP 1WAY DISPLAY 6871EC1095	K252
6877DD1003L	Harness,Multi	6877DD1003L - - UL Y MF2,3 Europe Softener Air mixing Rinse LED LG SL ELE	A120
6877DD1003L	Harness,Multi	6877DD1003L - - UL Y MF2,3 Europe Softener Air mixing Rinse LED LG SL ELE	A120
6921ED3001A	Relay,Contact	JM1AN-ZTM-DC12V AC250V DC12V 20A 1A UL/CSA/VDE/TUV 47.5X28.5X17.6mm	F021
AEH36904301	Hinge Assembly	Crystal SCP1-1/2H T3.0 DOOR LEFT Hinge	F142
AEH36904301	Hinge Assembly	Crystal SCP1-1/2H T3.0 DOOR LEFT Hinge	F142
AEH36904401	Hinge Assembly	Crystal SCP1-1/2H T3.0 DOOR RIGHT Crystal	F141
AEH36904401	Hinge Assembly	Crystal SCP1-1/2H T3.0 DOOR RIGHT Crystal	F141
AEH36951101	Hinge Assembly	Crystal SCP1-1/2H T2.0 SUPPORT LEFT Tub	F144
AEH36951701	Hinge Assembly	CRYSTAL SCP1-1/2H T2.0 SUPPORT RIGHT TUB	F143
EBR35455704	PCB Assembly,Main	ebr35455704 MF3/LD-2034SERIES Tab 220-240V 50/60HZ PUMP 1WAY MAIN 2	K251
EBR35455704	PCB Assembly,Main	ebr35455704 MF3/LD-2034SERIES Tab 220-240V 50/60HZ PUMP 1WAY MAIN 2	K251
EBR35457003	PCB Assembly,Display	EBR35457003 MF3/LD-2034SERIES Tab 220-240V 50/60HZ PUMP 1WAY MAIN	K252
EBR35457003	PCB Assembly,Display	EBR35457003 MF3/LD-2034SERIES Tab 220-240V 50/60HZ PUMP 1WAY MAIN	K252