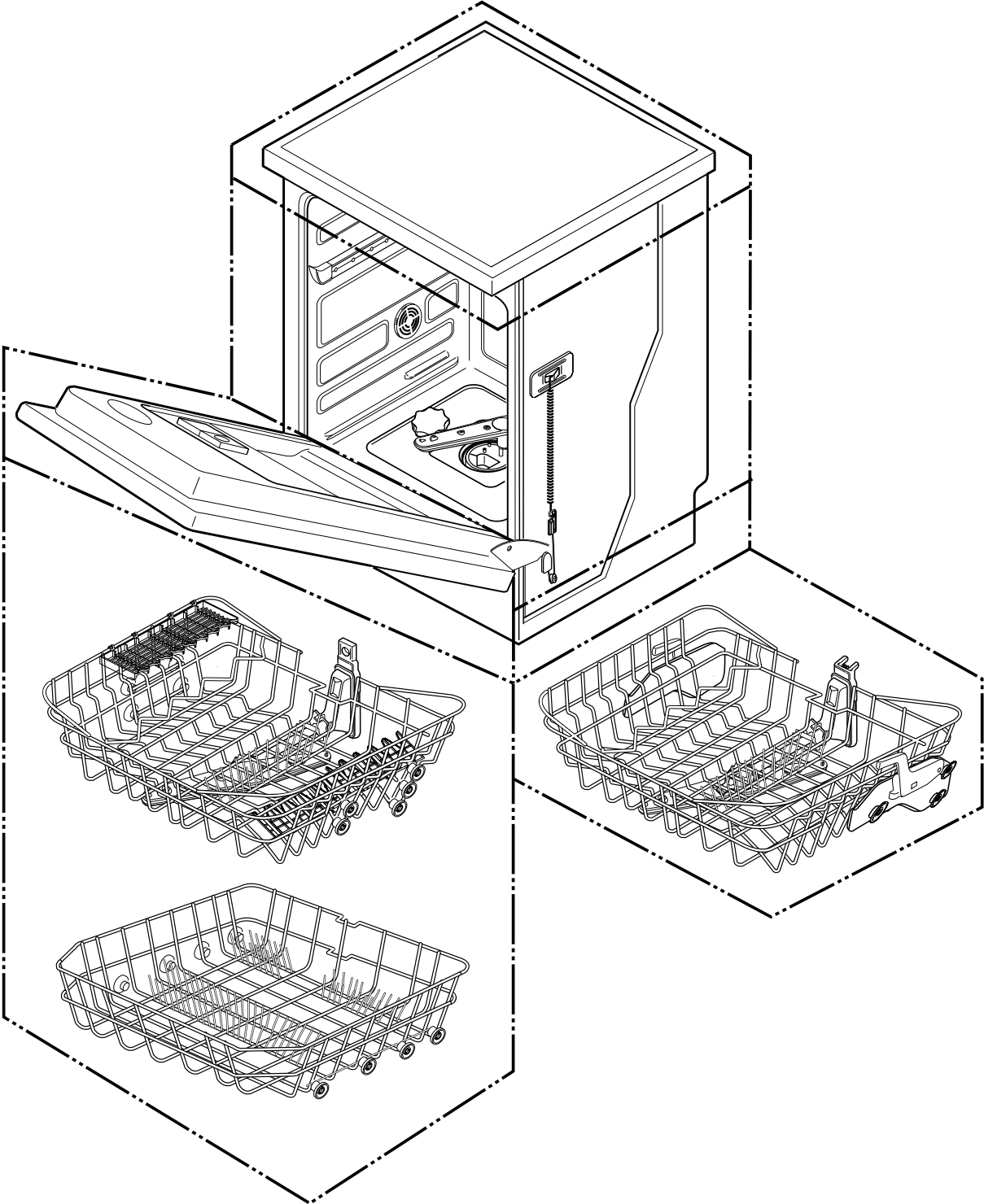
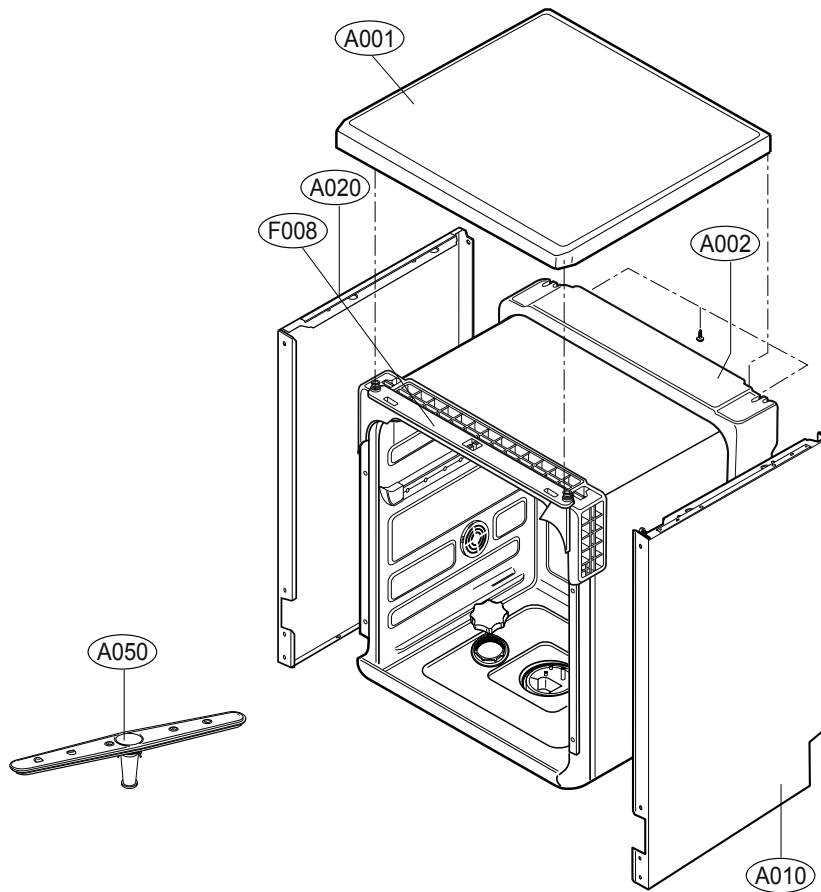


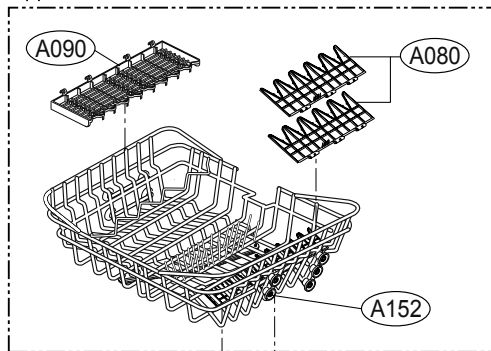
10. EXPLODED VIEW



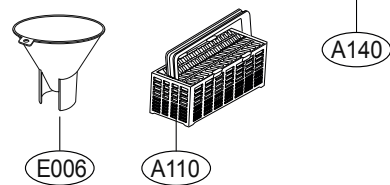
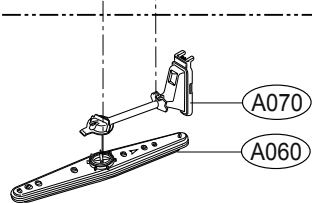
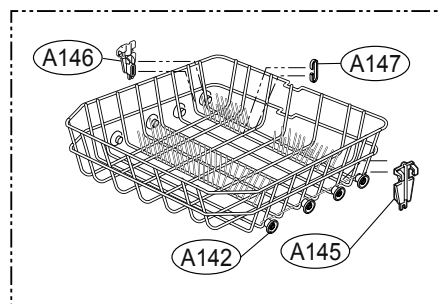
EXPLODED VIEW



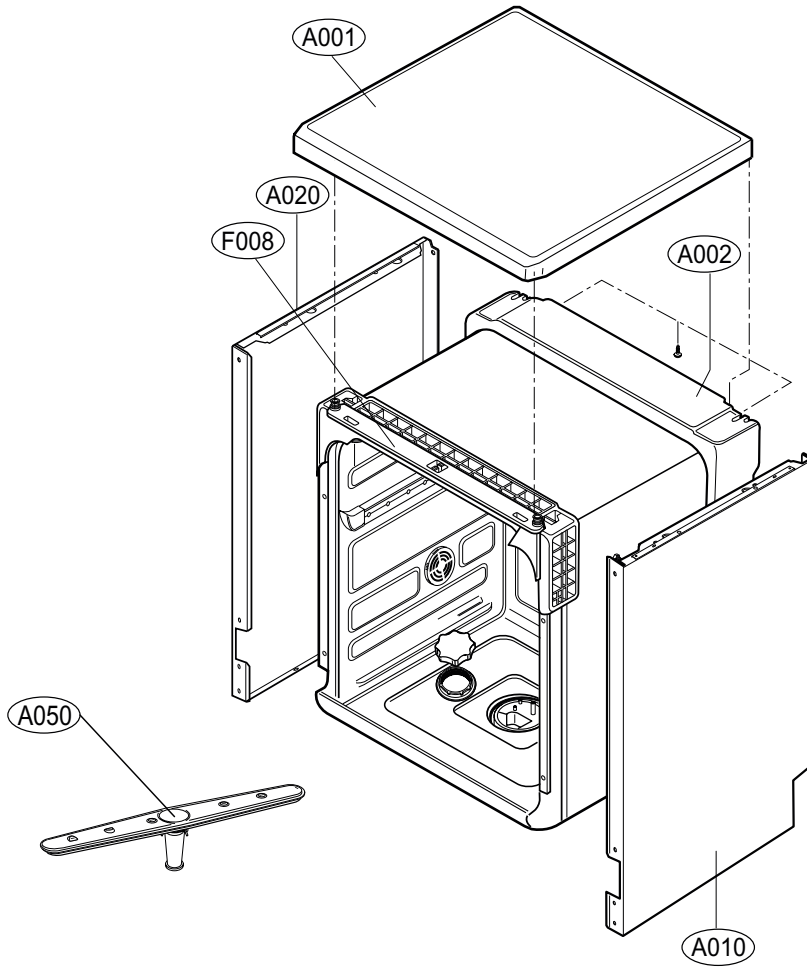
Upper Rack



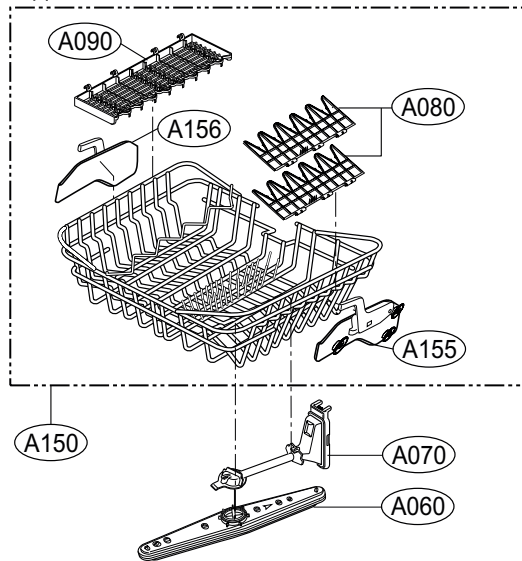
Lower Rack



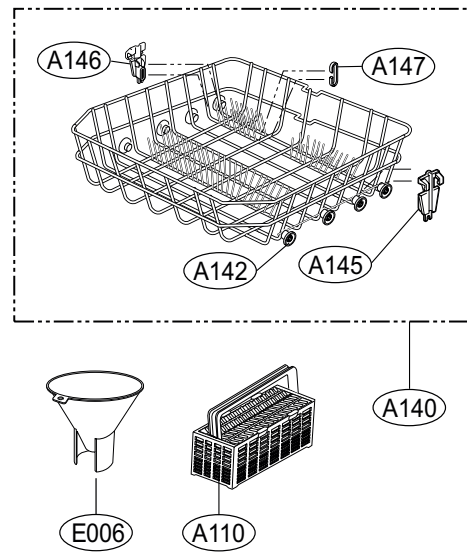
EXPLODED VIEW



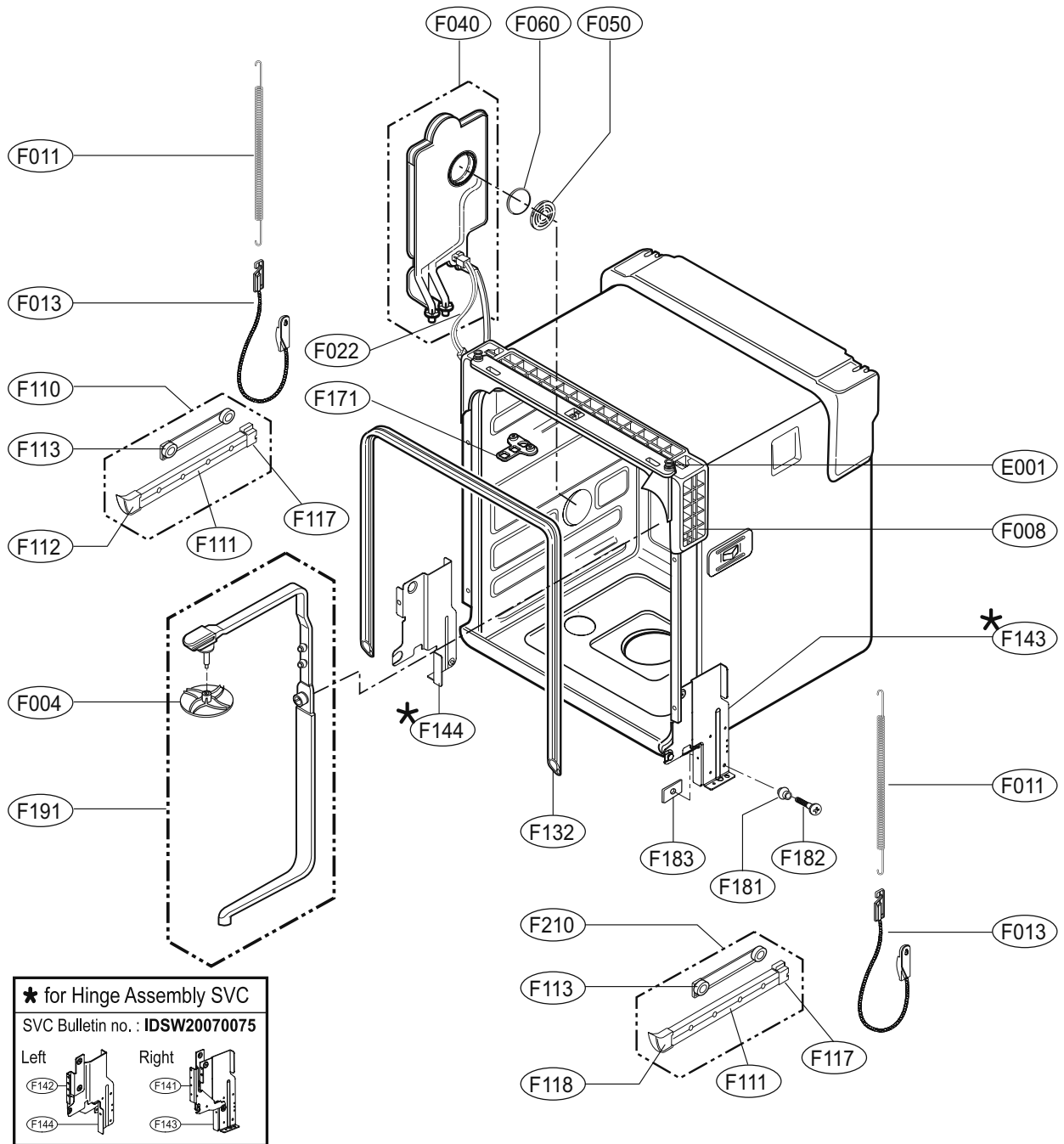
Upper Rack



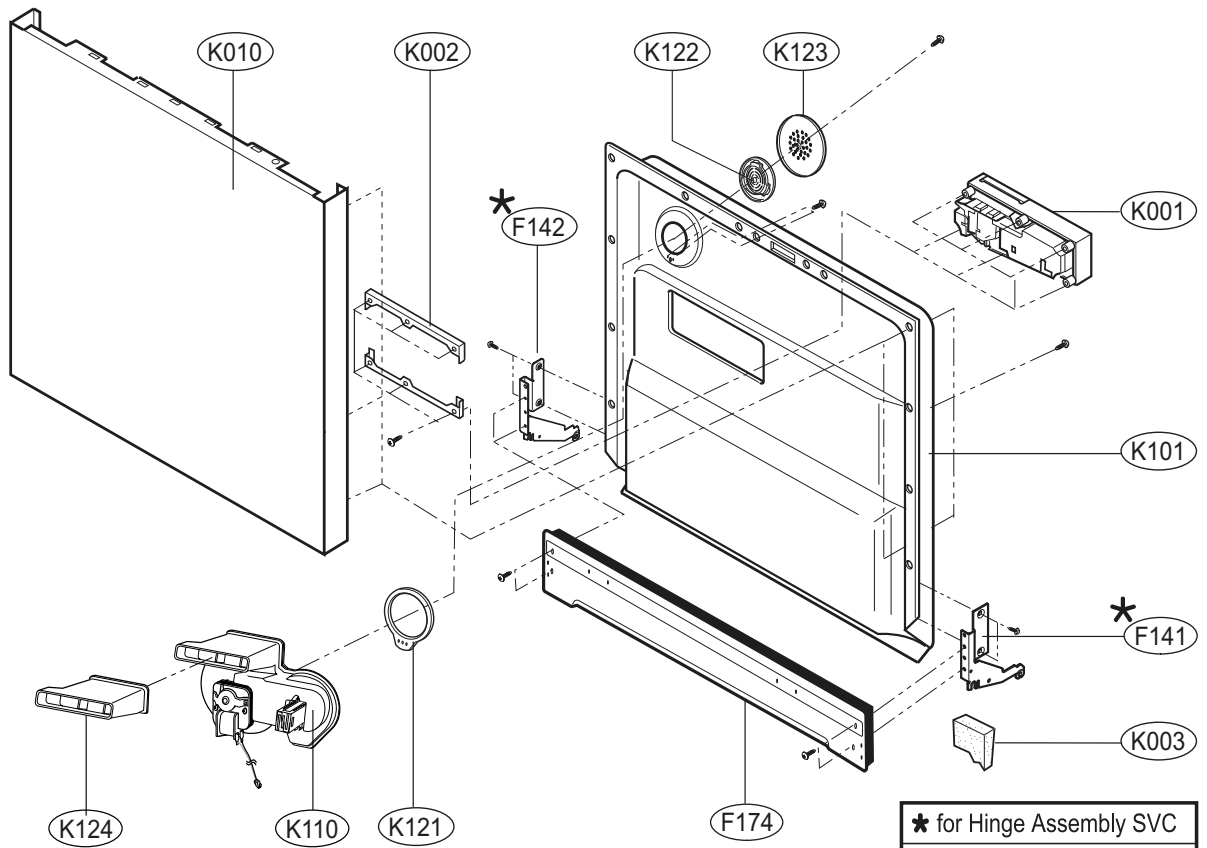
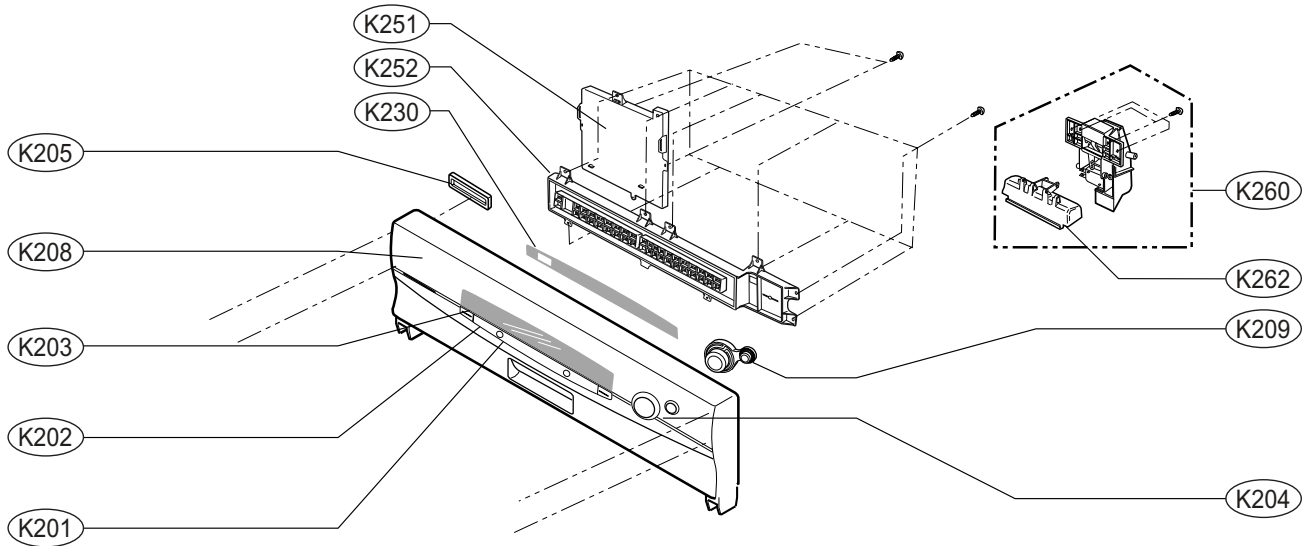
Lower Rack



EXPLODED VIEW - TUB ASSEMBLY



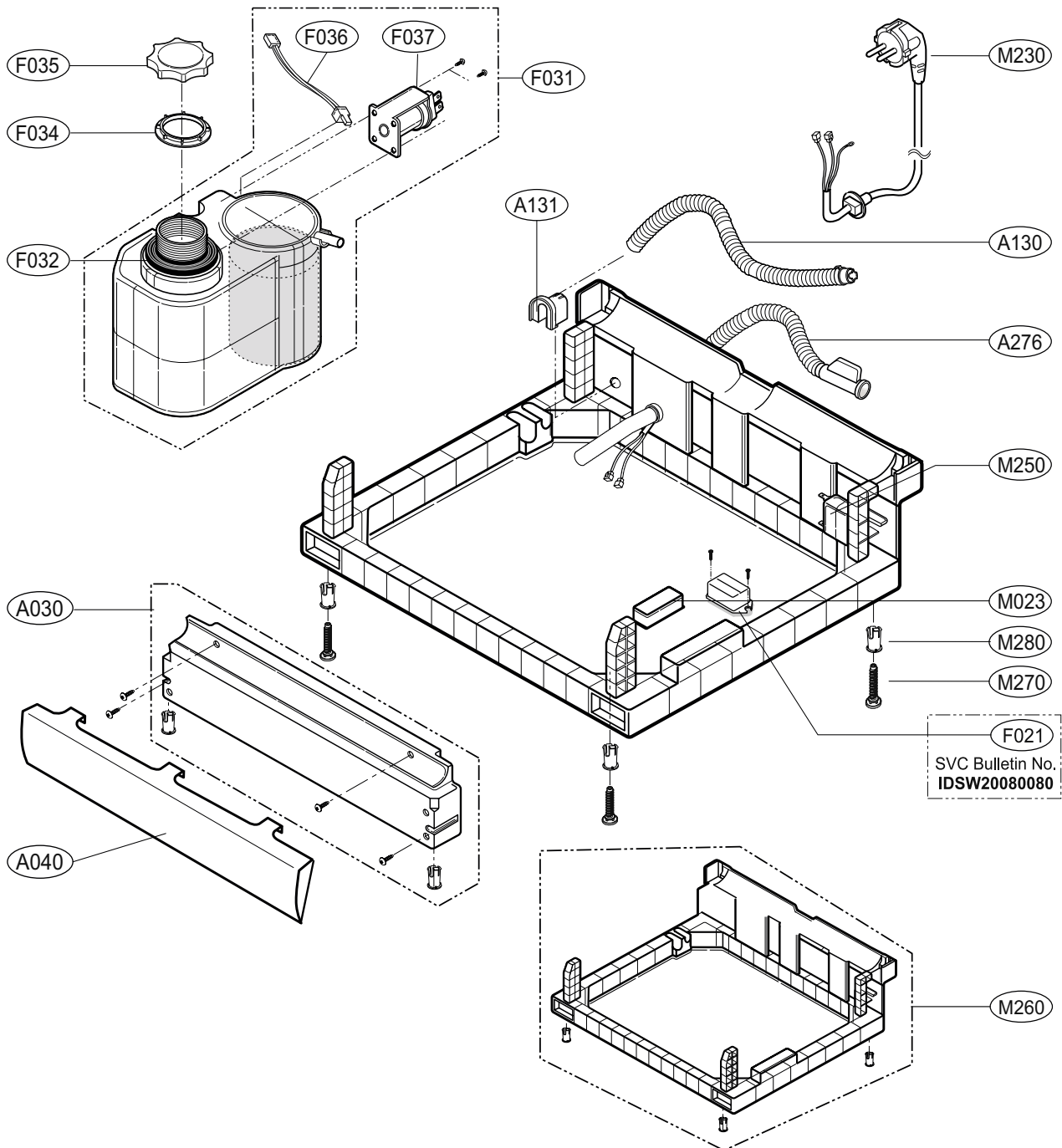
EXPLODED VIEW - PANEL ASSEMBLY / DOOR ASSEMBLY



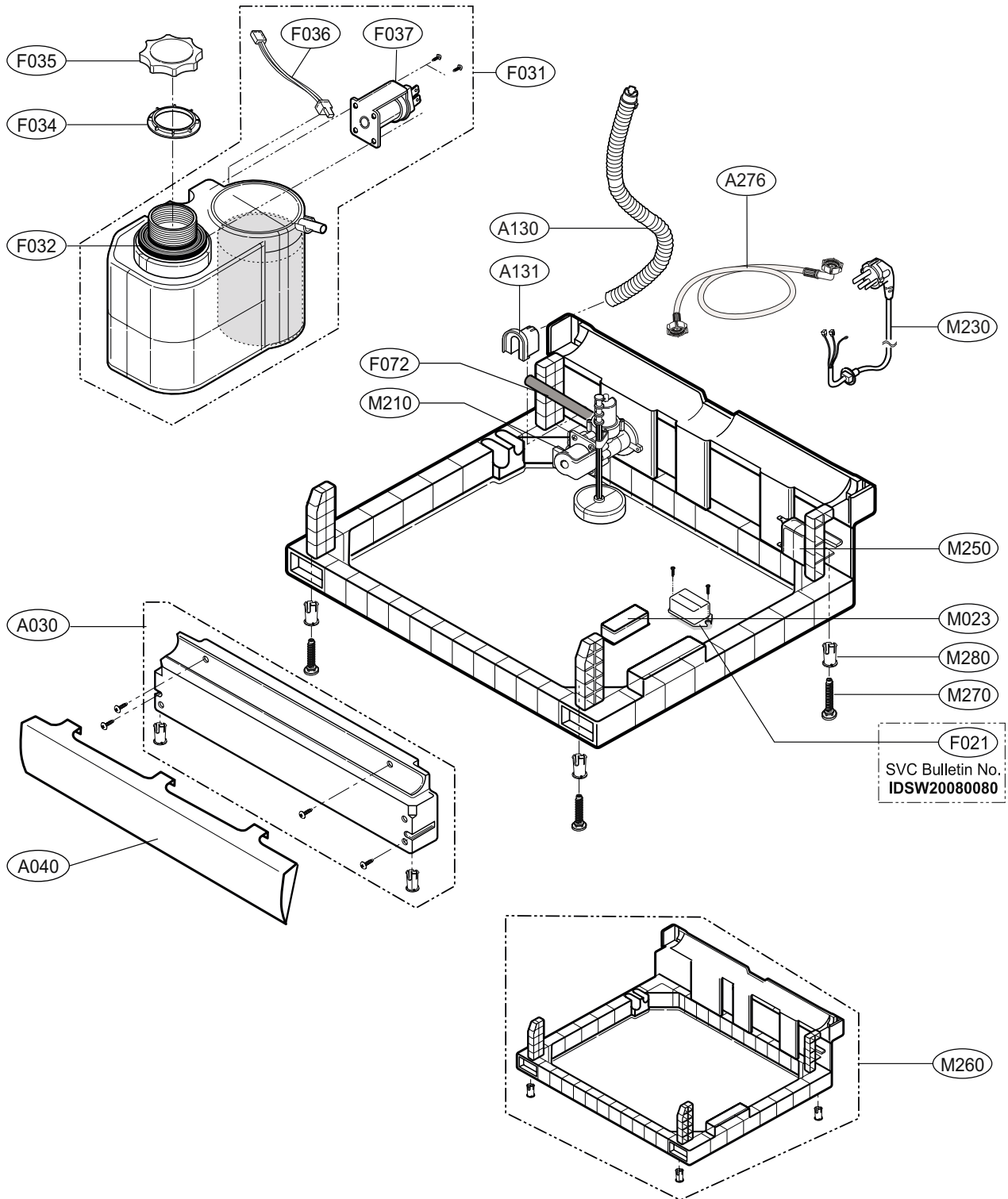
*** for Hinge Assembly SVC**
 SVC Bulletin no. : IDSW20070075

Left	Right

EXPLODED VIEW - BASE ASSEMBLY



EXPLODED VIEW - BASE ASSEMBLY



EXPLODED VIEW - SUMP ASSEMBLY

