

EXPLODED VIEWS

1. CABINET AND MAIN FRAME SECTION

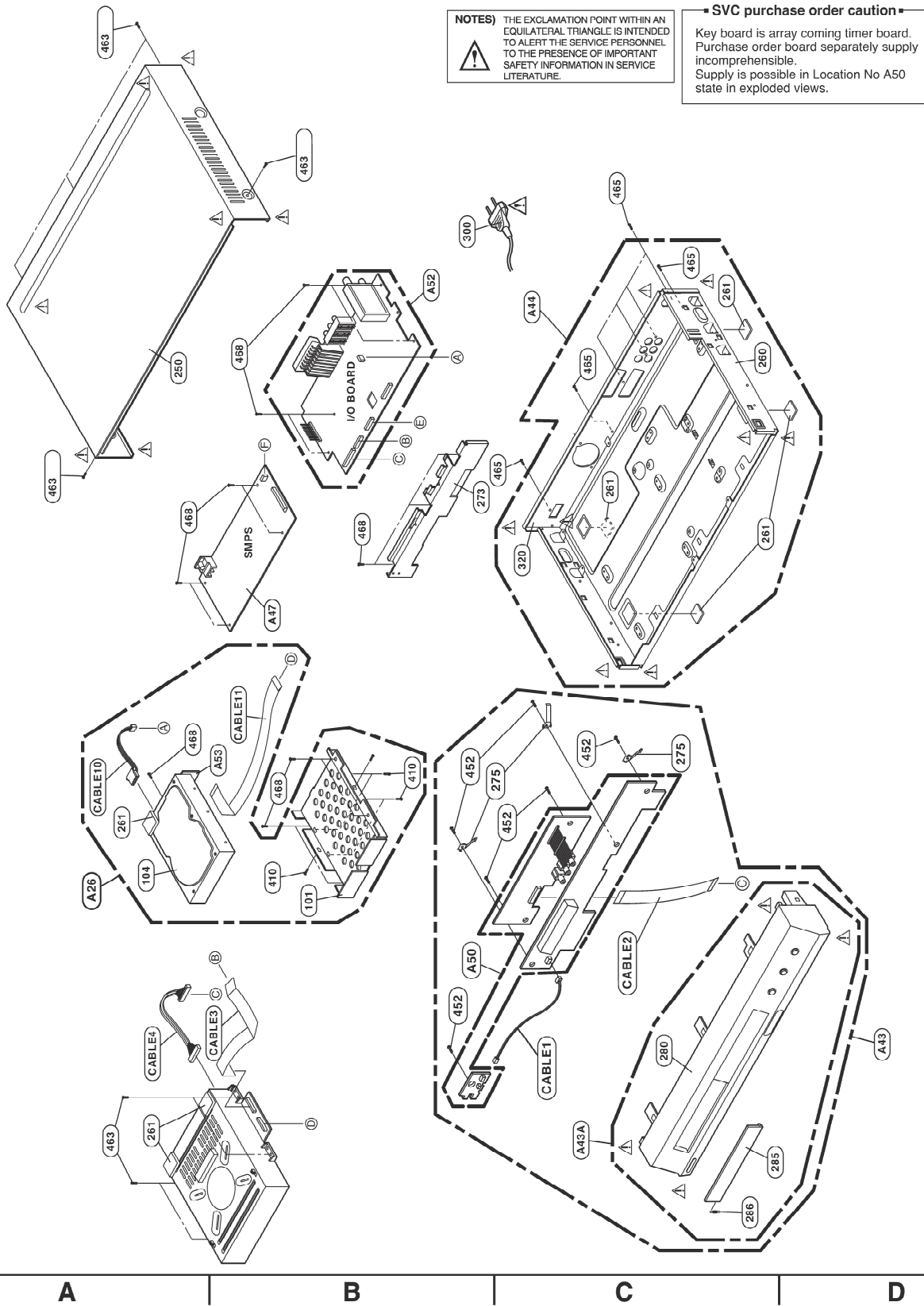
5

4

3

2

1



A

B

C

D

3. PACKING ACCESSORY SECTION

