

EXPLODED VIEWS

1. CABINET AND MAIN FRAME SECTION

1-1. MODEL: RH2S SERIES

5

4

3

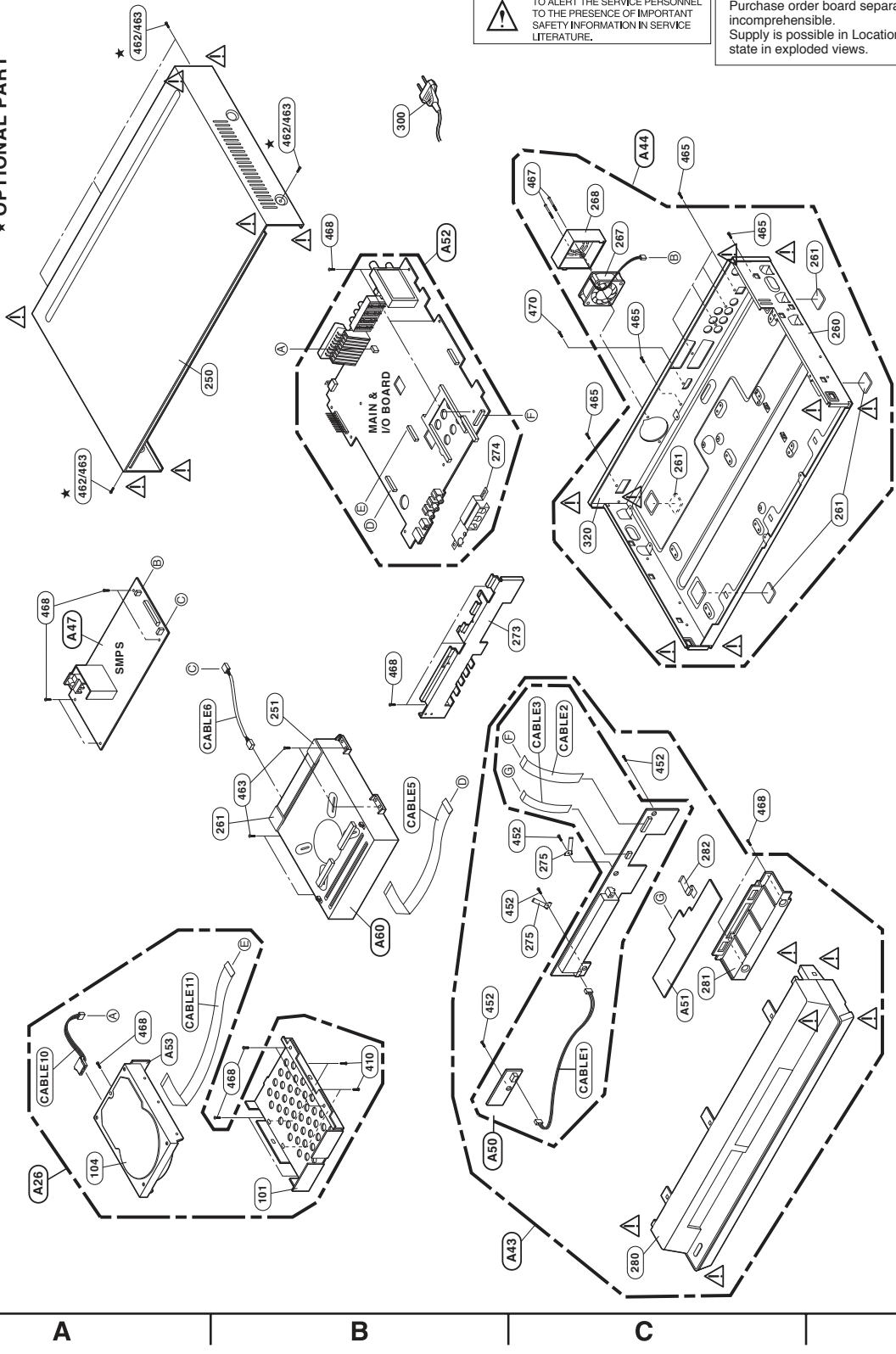
2

1

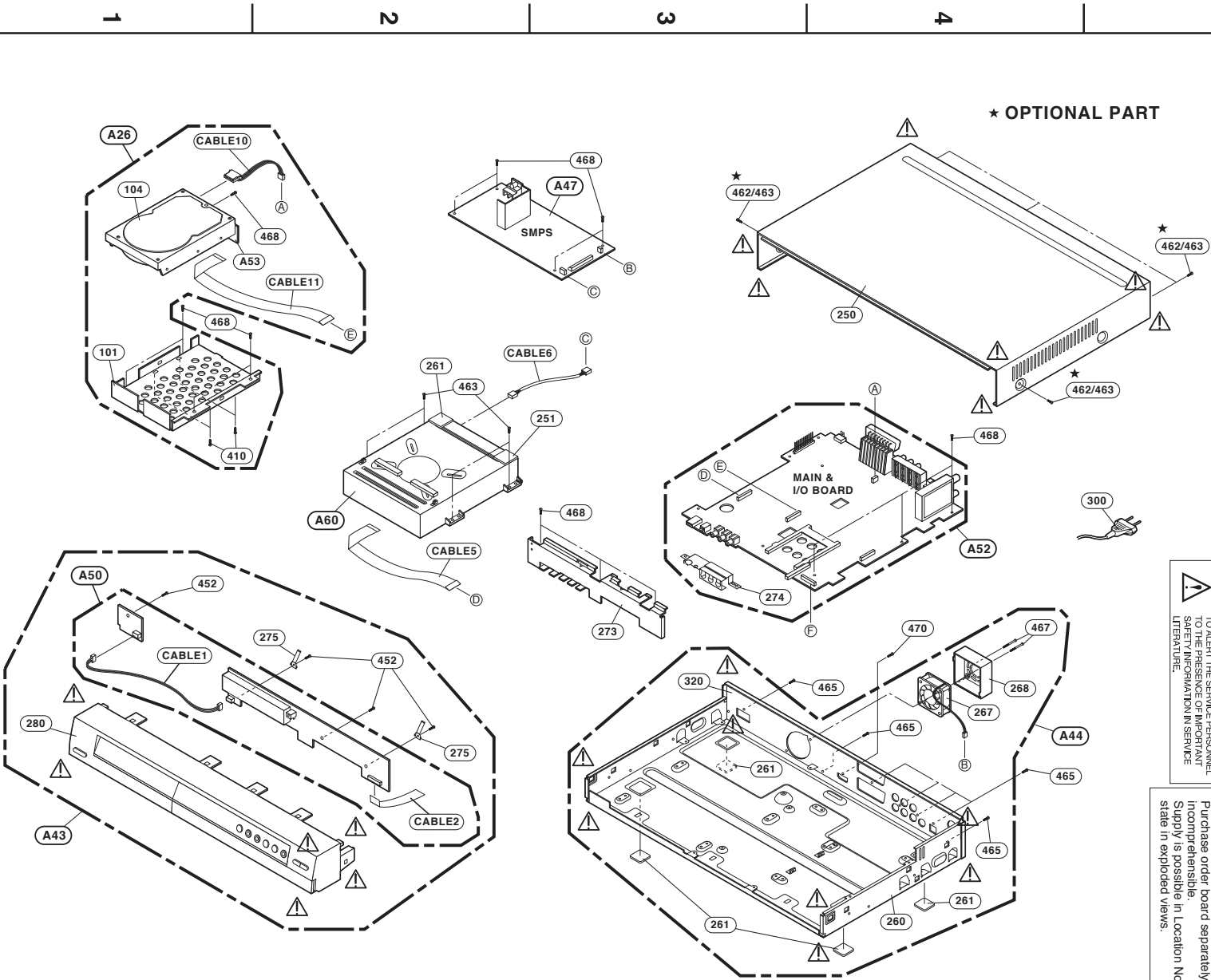
★ OPTIONAL PART

NOTES) THE EXCLAMATION POINT WITHIN AN EQUILATERAL TRIANGLE IS INTENDED TO ALERT THE SERVICE PERSONNEL TO THE PRESENCE OF IMPORTANT SAFETY INFORMATION IN SERVICE LITERATURE.

▪ **SVC purchase order caution** ▪
 Key board is array coming timer board. Purchase order board separately supply incomprehensible. Supply is possible in Location No A50 state in exploded views.



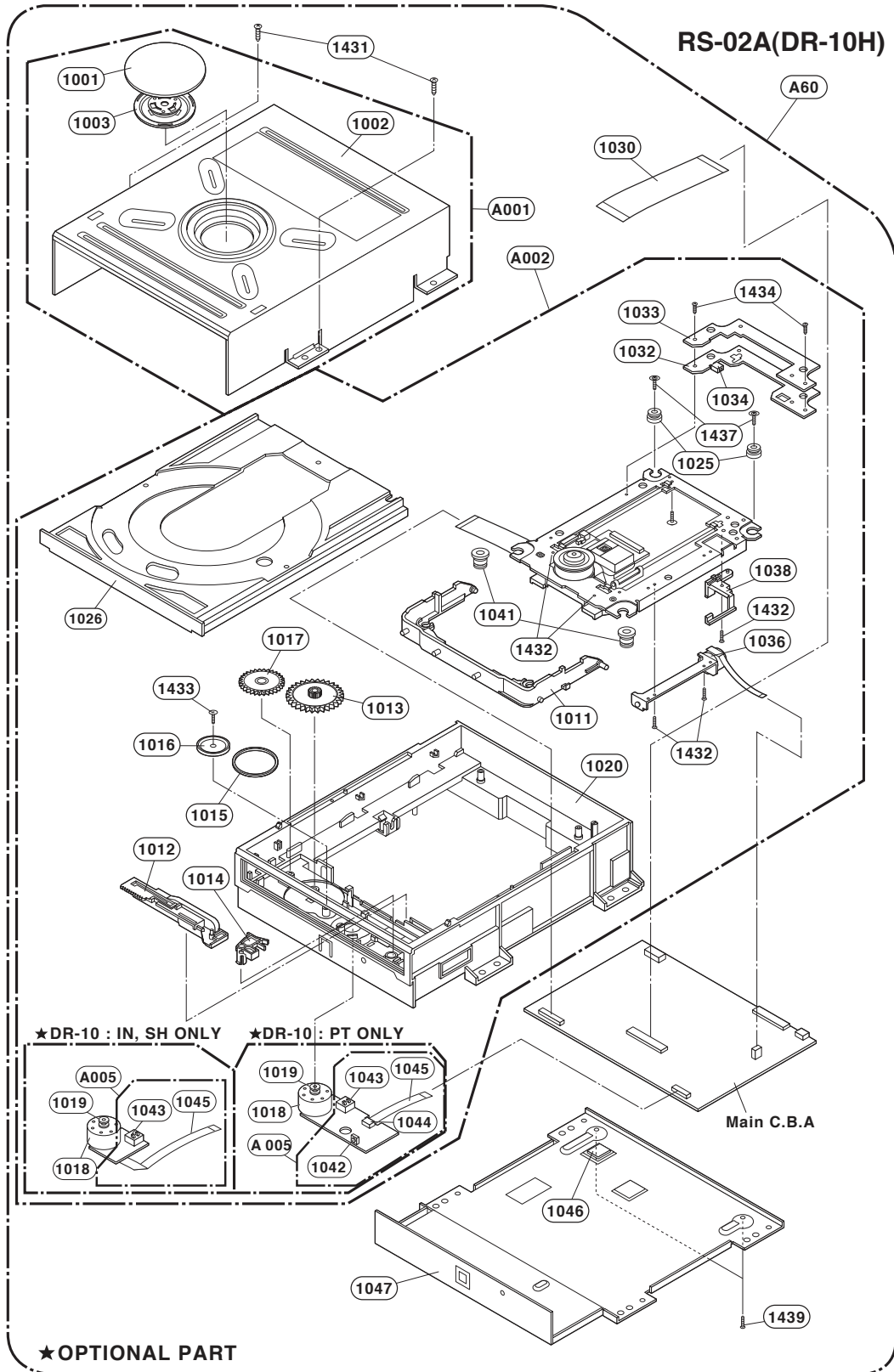
1-2. MODEL: RH2T SERIES



NOTES) THE EXCLAMATION POINT WITHIN AN EQUILATERAL TRIANGLE IS INTENDED TO ALERT THE SERVICE PERSONNEL TO THE PRESENCE OF IMPORTANT SAFETY INFORMATION IN SERVICE LITERATURE.

Key board is array coming timer board. Purchase order board separately supply incompressible. Supply is possible in Location No A50 state in exploded views.

2. DECK MECHANISM SECTION (RS-02A)



3. PACKING ACCESSORY SECTION

