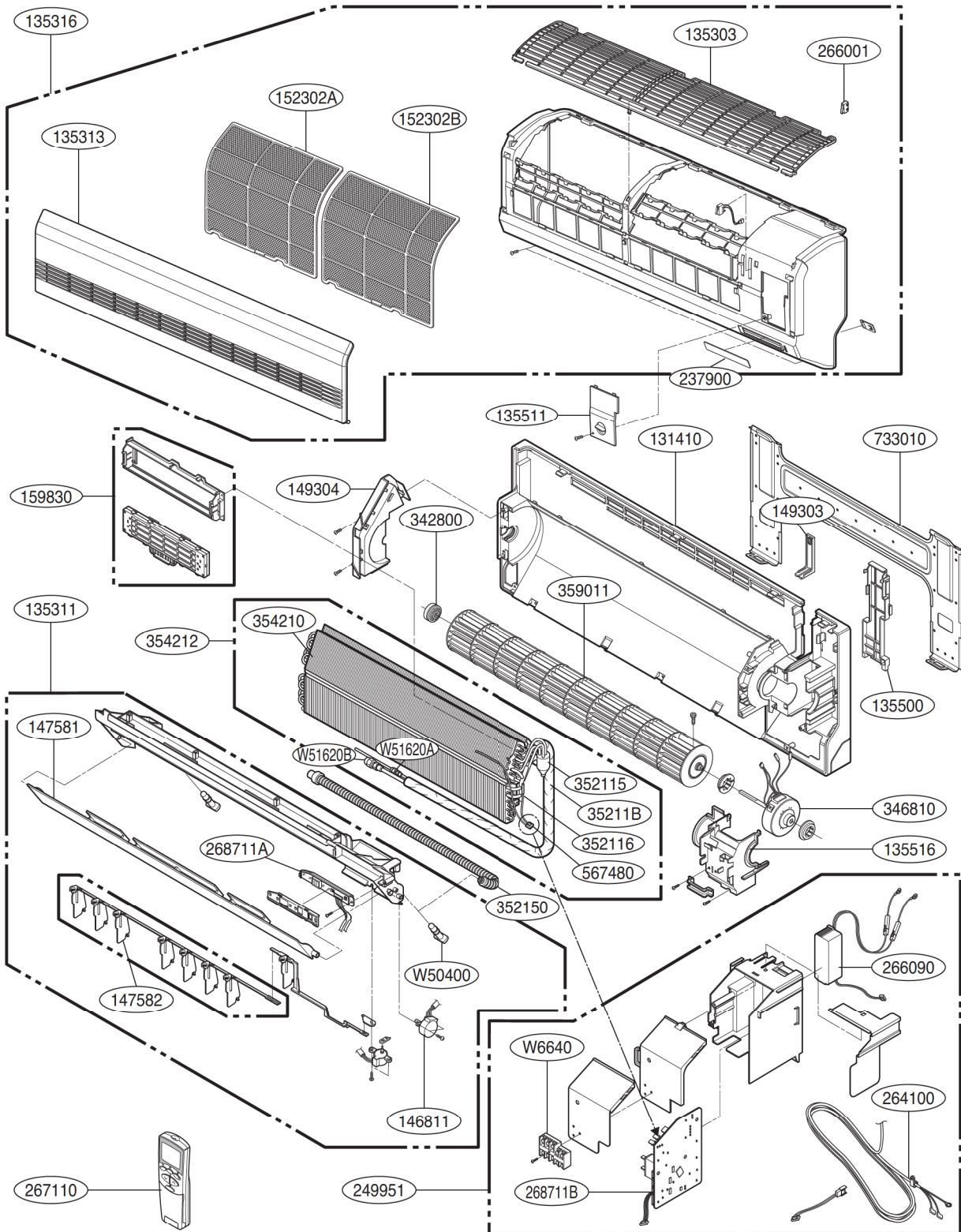


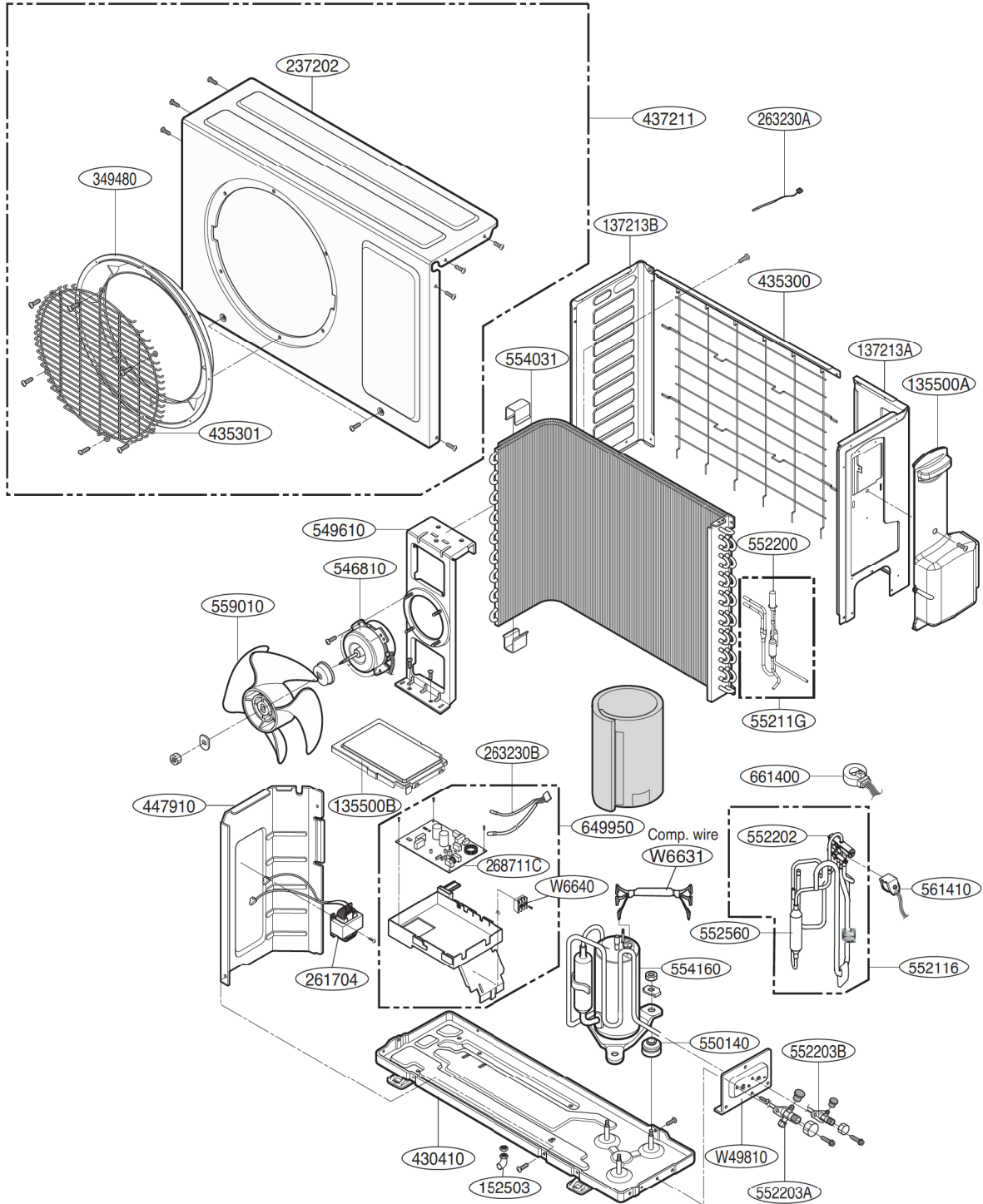
4. Exploded View

Indoor Unit



Note) * Please ensure GCSC since the replacement parts may be changed depending upon the buyer's request.
Please check the correct parts in View RPL(Replacement Part List) on GCSC.
(GCSC Website <http://biz.Lgservice.com>.)

Outdoor Unit : AS-W0964GG1(S09AM)



Model	Classification	Description	Part Number	Location Number	Remark
ASUW0964GG1 (S09AM)	Inverter Heat / Pump	Compressor	5416A90029C	554160	-
		Harness.Single	6631A30099D	W6631	

Note) * Please ensure GCSC since the replacement parts may be changed depending upon the buyer's request.
Please check the correct parts in View RPL(Replacement Part List) on GCSC.
(GCSC Website <http://biz.Lgservice.com>.)

