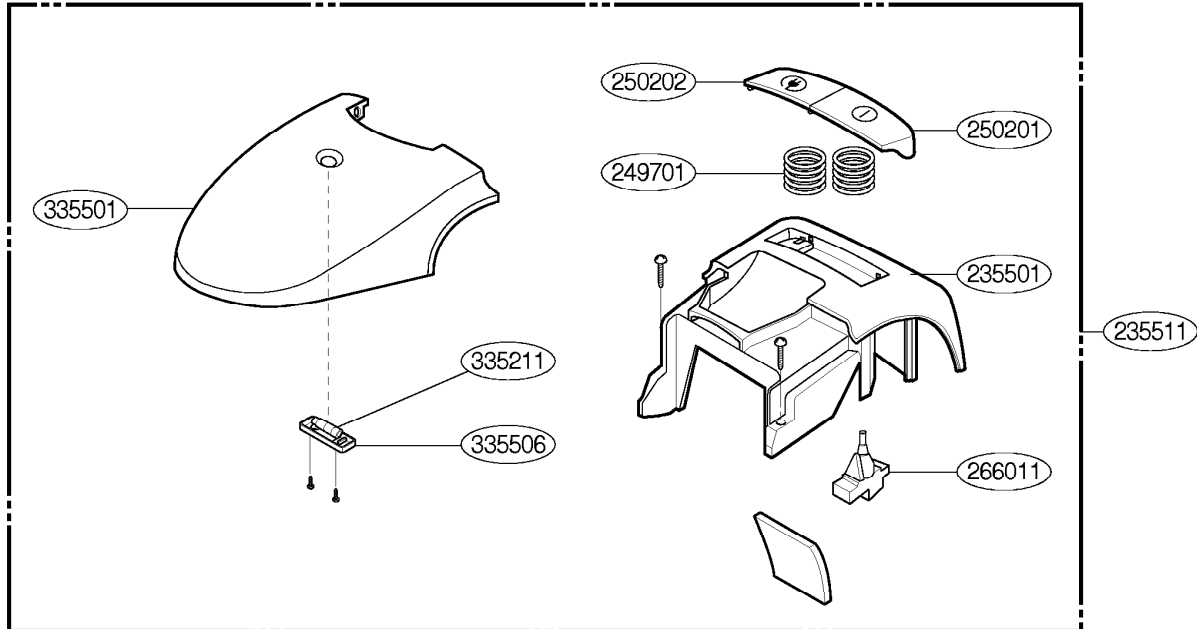
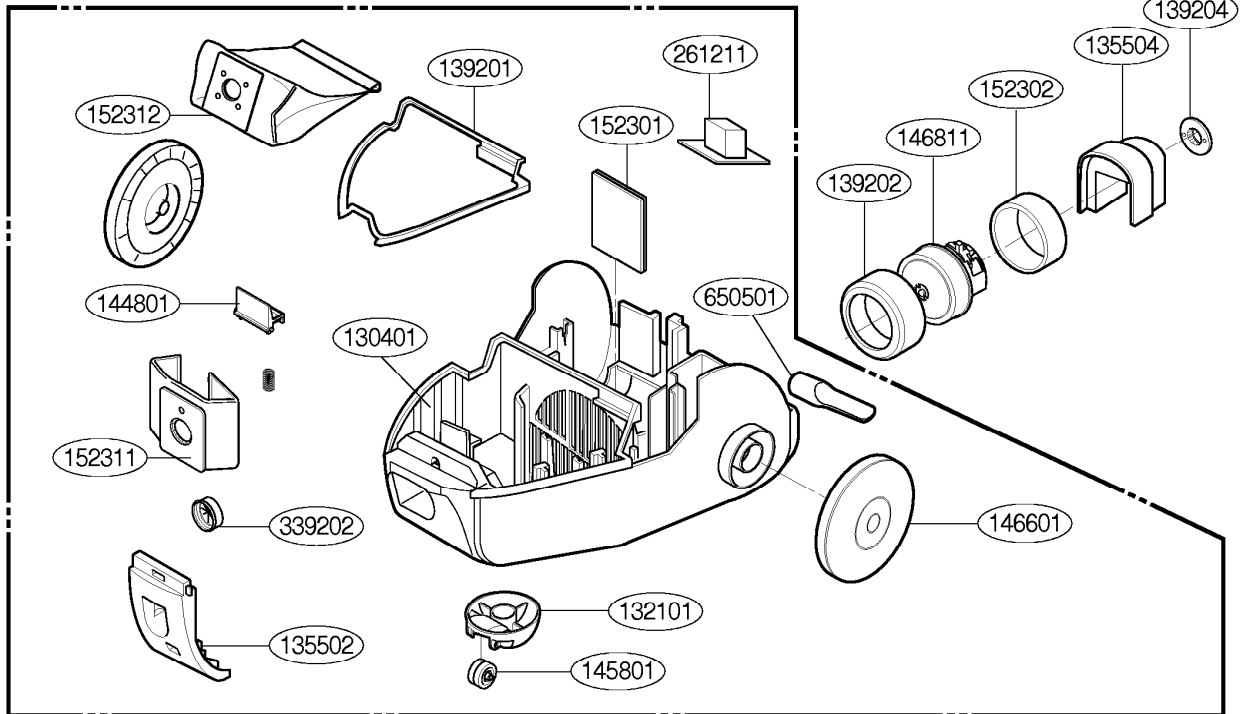


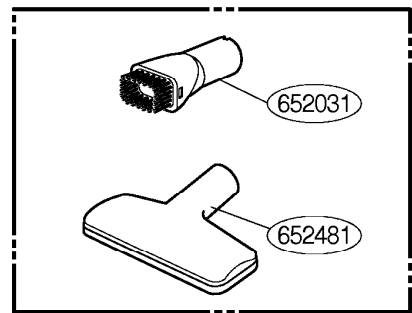
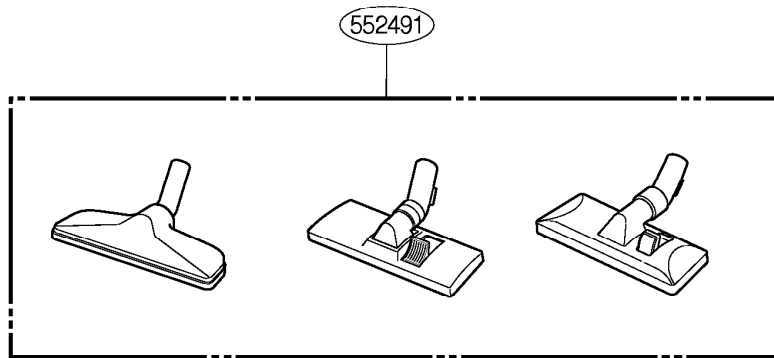
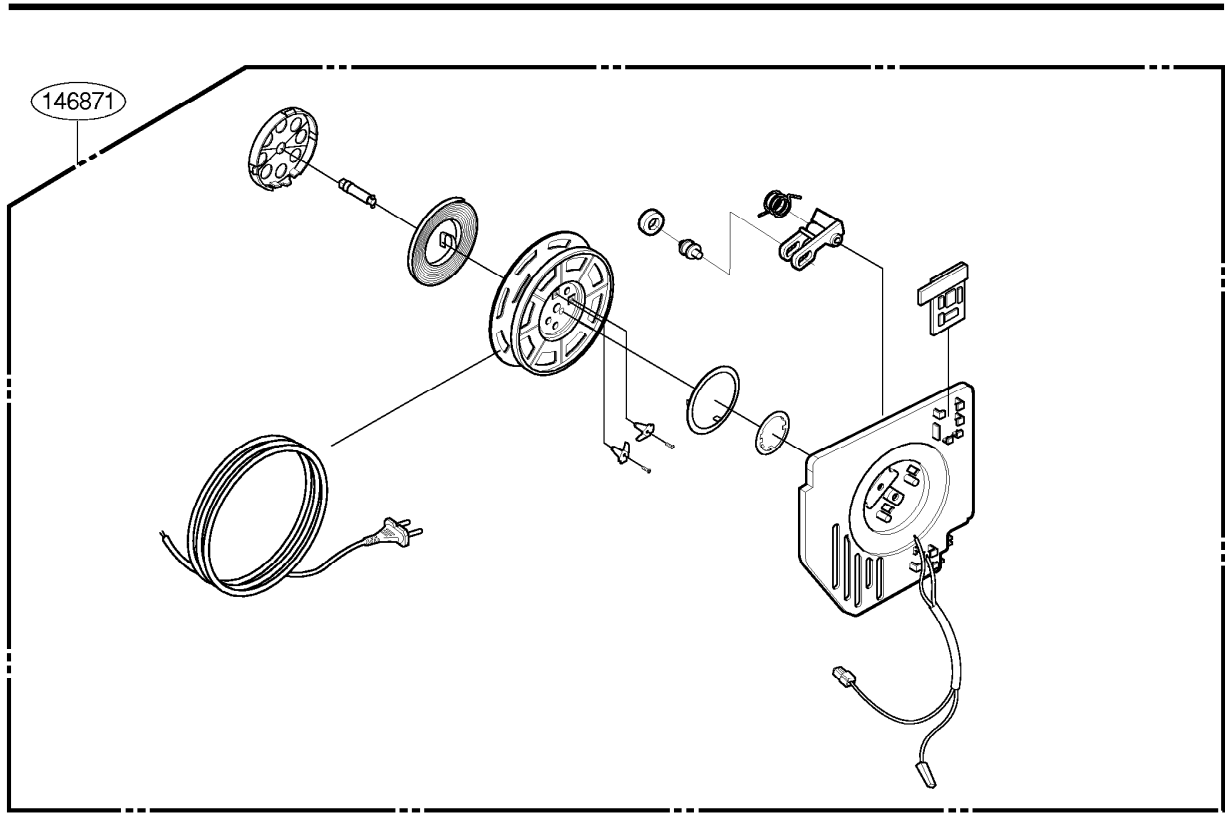
# EXPLODED VIEW



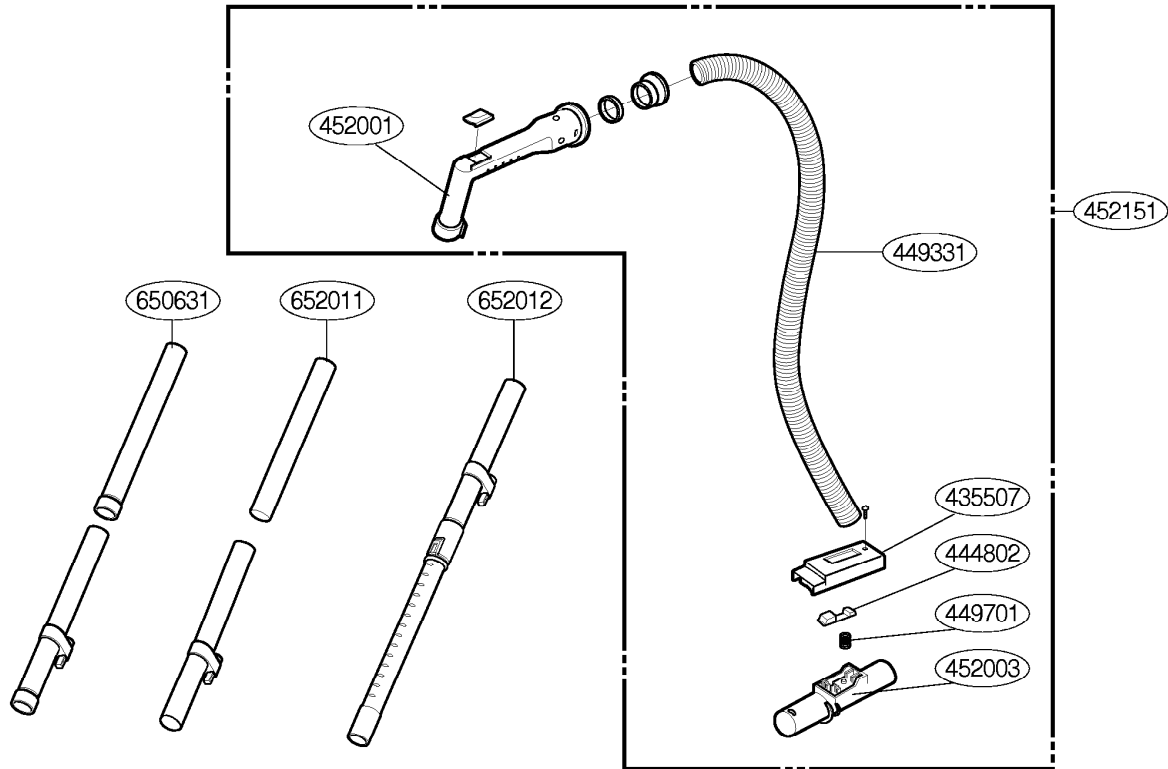
LOCATION NO.	PART NO.	DESCRIPTION	REMARK
235511	3551FI1144	COVER ASSY, BODY	
235501	3070FI1021	COVER,BODY	
249701	4I20056A	SPRING,BUTTON	
250201	5020FI2137	BUTTON,POWER SWITCH	
250202	5020FI2115	BUTTON,CORD REEL	
266011	6601FI3149A	SWITCH ASSY,PUSH	110V, 120V
266011	6601FI3149B		220V, 230V, 240V
335211	3I23019J	INDICATOR ASSY	
335501	3550FI1108	COVER,FILTER	
335506	3551FI3635A	COVER,INDICATOR	



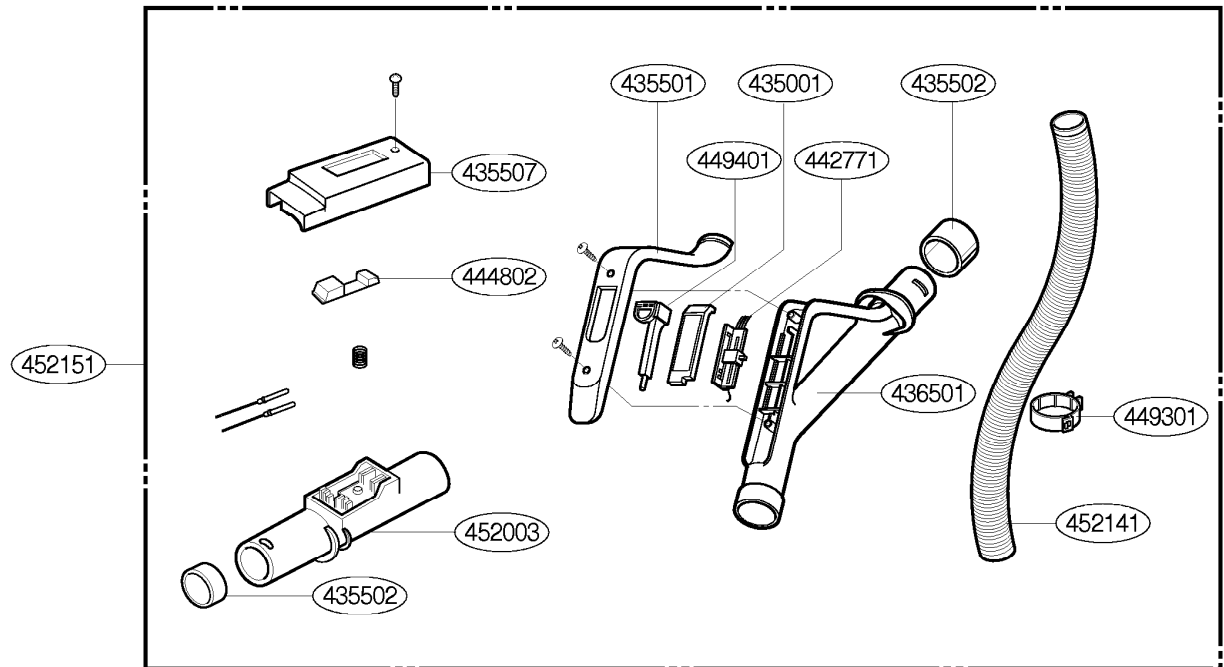
LOCATION NO.	PART NO.	DESCRIPTION	REMARK
130411	3041FI1143	BASE ASSY,BODY	
130401	3040FI1039	BASE,BODY	
132101	3I20036E	FRAME,CASTER	
135502	3550FI1106	COVER,FRONT	
135504	3550FI2075A	COVER,MOTOR	
139201	4820FI2054A	BUMPER	
139202	3920FI3020A	PACKING,MOTOR MOUNTING	
139204	3920FI4296A	PACKING,SEAL	
144801	4480FI3380A	HOOK,FILTER SETTING	
145801	4I20014E	ROLLER,CASTER	
146601	4660FI1104A	WHEEL	
146811	3921KV3005	MOTOR ASSY,VC	
152301	4I70098A	FILTER(MECH), MOTOR SAFETY	
152302	3I50029B	PACKING,ABSORBING	
152311	5231FI3219H	FILTER ASSY,PAPER(TB-4)	
152311	5231FI3219K	FILTER ASSY,PAPER(TB-7)	
152312	5231FI2024E	FILTER ASSY,CLOTH	
261211	6121FI4311D	CAPACITOR ASSY	V-2600E/DE/TE
339202	4036FI3036B	PACKING,TERMINAL	
650581	3I21007L	TOOL,CREVICE	



LOCATION NO.	PART NO.	DESCRIPTION	REMARK
146871	6411FI1037	CORD REEL ASSY	
552491	5879FI1147C	NOZZLE ASM(NZ-1)	
552491	5879FI1147B	NOZZLE ASM(NZ-2)	
552491	1112001H	CARPET PEDAL TOOL ASM(NZ-4)	
552491	5249FI2182A	CARPET PEDAL TOOL ASM(NZ-5)	
652031	3I20011E	BRUSH ASSY,DUST	MIDDLE GRAY
652031	3I20011H	BRUSH ASSY,DUST	BLACK
652481	5248FI2259A	NOZZLE,UPHOLSTERY	BLACK
652481	5248FI2259B	NOZZLE,UPHOLSTERY	MIDDLE GRAY



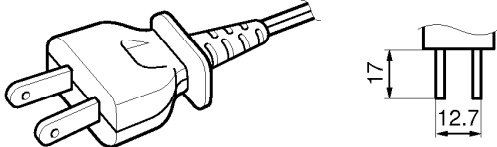
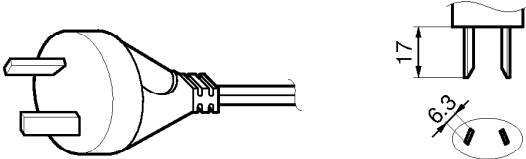
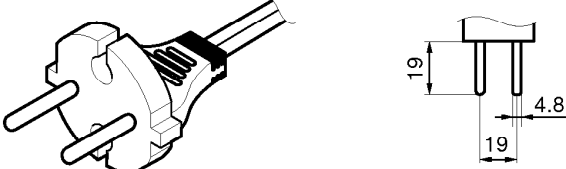
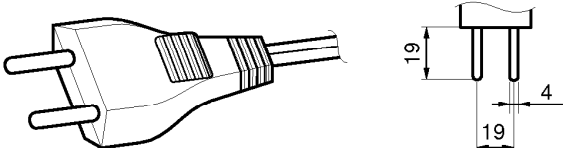
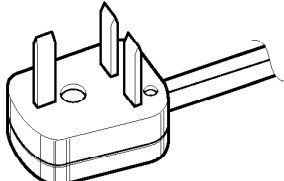
LOCATION NO.	PART NO.		DESCRIPTION	REMARK
	GRAY	BLACK		
452151	5214FI2163D	5214FI2163B	HOSE ASSY,FLEXIBLE	V-2600E/DE/TE
435507	3162FI2130A	3162FI2130G	COVER,PIPE[FITTING]	
443501	4350FI4294C	4350FI4294B	CLOSING RING	
444802	3I23013G	3I23013J	HOOK,FITTING	
449331	2I10002K	2I10002G	CONNECTOR ASSY(MECH),HOSE	
449401	4940FI4292D	4940FI4292B	SLIDE KNOB	
449701	4I23028A		SPRING,HOOK	
452001	5200FI2076B	5200FI2179A	PIPE,BENDING	
452003	3162FI2079C	3162FI2079B	PIPE,FITTING	
650631	5063FI2310A		WAND ASSY	
652011	5201FI2180F		PIPE ASSY,STEEL	
652012	5201FI2181F		PIPE ASSY,TELESCOPIC	



LOCATION NO.	PART NO.	DESCRIPTION	REMARK
452151	5214FI1051L	HOSE ASSY,FLEXIBLE	V-2600HDE/THE
435001	3I21032P	BOARD,SWITCH	
435501	1I20045U	COVER,GRIP HANDLE	
435502	4I20167R	COVER,INSULATION	
435502	4I22031H	COVER,INSULATION	
435507	3162FI2130A	COVER,PIPE[FITTING]	
436501	1I20044Q	HANDLE,GRIP	
442771	3I22053E	SLIDE ASSY,VOLUME	
444802	3I23013G	HOOK,FITTING	
449301	4I21034K	HOLDER,HOSE	
449401	4I21010A	KNOB,SLIDE	
452003	3162FI2127A	PIPE,FITTING	
452141	1I20067N	HOSE,FLEXIBLE	

# APPENDIX

## 1. THE TYPE OF POWER CORD & PARTS NUMBER

TYPE	TYPE OF PLUG	POWER CORD ASM P/NO								
A-1		2I20044A 2I31006B								
S-1		6411FI2117B								
C-2		2I12045E								
C-1		6411FI2230B								
B-3	 <table border="1" data-bbox="767 1473 1011 1637"> <thead> <tr> <th colspan="2">Color identification of fuse</th> </tr> </thead> <tbody> <tr> <td>Brown</td> <td>13A</td> </tr> <tr> <td>Yellow</td> <td>5A</td> </tr> <tr> <td>Blue</td> <td>3A</td> </tr> </tbody> </table>	Color identification of fuse		Brown	13A	Yellow	5A	Blue	3A	6411FI2169A
Color identification of fuse										
Brown	13A									
Yellow	5A									
Blue	3A									

**2. COLOR & PARTS NUMBER**

LOCATION NO.	COLOR		CHERRY RED	PURPLE BLUE	VIVID GREEN	SILVER GRAY
	DESCRIPTION					
335501	FILTER COVER		3550FI1108A	3550FI1108C	3550FI1108D	3550FI1108E
235501	BODY COVER		3070FI1021A	3070FI1021C	3070FI1021D	3070FI1021F
250202	CORE REEL BUTTON		5020FI2115A	5020FI2115B	5020FI2115C	5020FI2115E
250201	SWITH BUTTON		5020FI2137A	5020FI2137B	5020FI2137C	5020FI2137E

LOCATION NO.	COLOR		MARINE BLUE	FINE RED	RED	BLUE
	DESCRIPTION					
335501	FILTER COVER		3550FI1108G	3550FI1108J	3550FI1108F	3550FI1108H
235501	BODY COVER		3070FI1021G	3070FI1021H	3070FI1021E	
250202	CORE REEL BUTTON		5020FI2115F	5020FI2115G	5020FI2115D	
250201	SWITH BUTTON		5020FI2137F	5020FI2137G	5020FI2137D	