



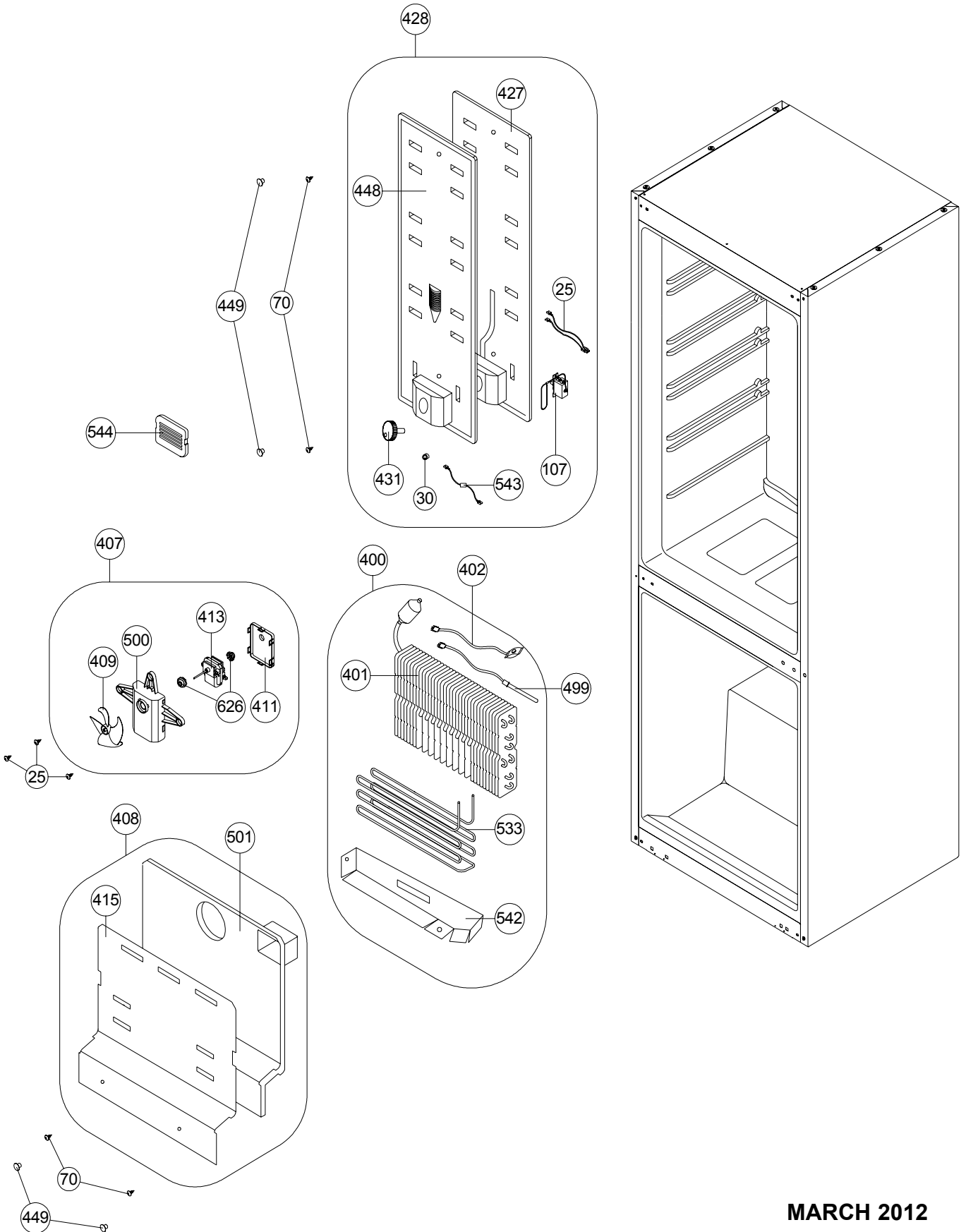
NO FROST-COMBI 366-MECHANIC

CUSTOMER
SUPPORT

INTERIOR PARTS LIST

POSITION NUMBER	PART NAME
1	ASSY URT CAB/366M
3	TOP HINGE/260 (WITH PIN)
4	TOP HINGE/260 (WITHOUT PIN)
6	HEAD PANEL/366
7	SCREW M5*14 WN 1342-H EJOT
8	SCREW 4.2*13 DIN 7981 YHB DYED
9	MIDDLE HINGE PAINTED/345
10	SCREW M5*14 WN 1342-H EJOT DYED
12	MIDDLE HINGE SCREW CAP (BIG)
15	BOTTOM HINGE/345
16	STATIONARY FOOT
18	ICE TRAY
19	FREEZER GLASS SHELF
22	LAMP (E14/220-240V/15W)
23	LAMP HOLDER-E14
25	SCREW PLS KA 40*13(INOX-S.UÇ)SUS 430
28	LAMP COVER/360
37	R COMPARTMENT SHELF/366
38	R COMPARTMENT SHELF TRIM-FRONT/366
39	CRISPER COVER/360
40	CRISPER COVER TRIM/345
41	CRISPER/360
58	KICK PLATE HOLDER
59	SCREW 3.5*13 DIN 7981 YSB
60	KICK PLATE/345
62	ICE TRAY COVER/366 (OPTIONAL)
71	WINE SHELF/366 (OPTIONAL)
92	MIDDLE BASKET/366
93	BOTTOM BASKET/366
102	HEAD PANEL GR/366
111	LAMP BOX ASSY/360
112	LAMP BOX/360
136	HEAD PANEL CAP/245
164	DOOR HANDLE SCREW CAP
315	DOOR SWITCH
321	BASKET STOP.366 (BEFORE DATE 10.03.2011)
541	R COMPARTMENT SHELF TRIM-BACK/366
700	STOPPER UPPER/366 (BETWEEN 10.03.2011 and 05.09.2011)
701	STOPPER BOTTOM/366 (BETWEEN 10.03.2011 and 05.09.2011)
700A	STOPPER UPPER/RIGHT 366 (AFTER 05.09.2011)
700B	STOPPER UPPER/LEFT 366 (AFTER 05.09.2011)
701A	STOPPER BOTTOM/RIGHT 366 (AFTER 05.09.2011)
701B	STOPPER BOTTOM/LEFT 366 (AFTER 05.09.2011)

MARCH 2012





NO FROST-COMBI 366-MECHANIC

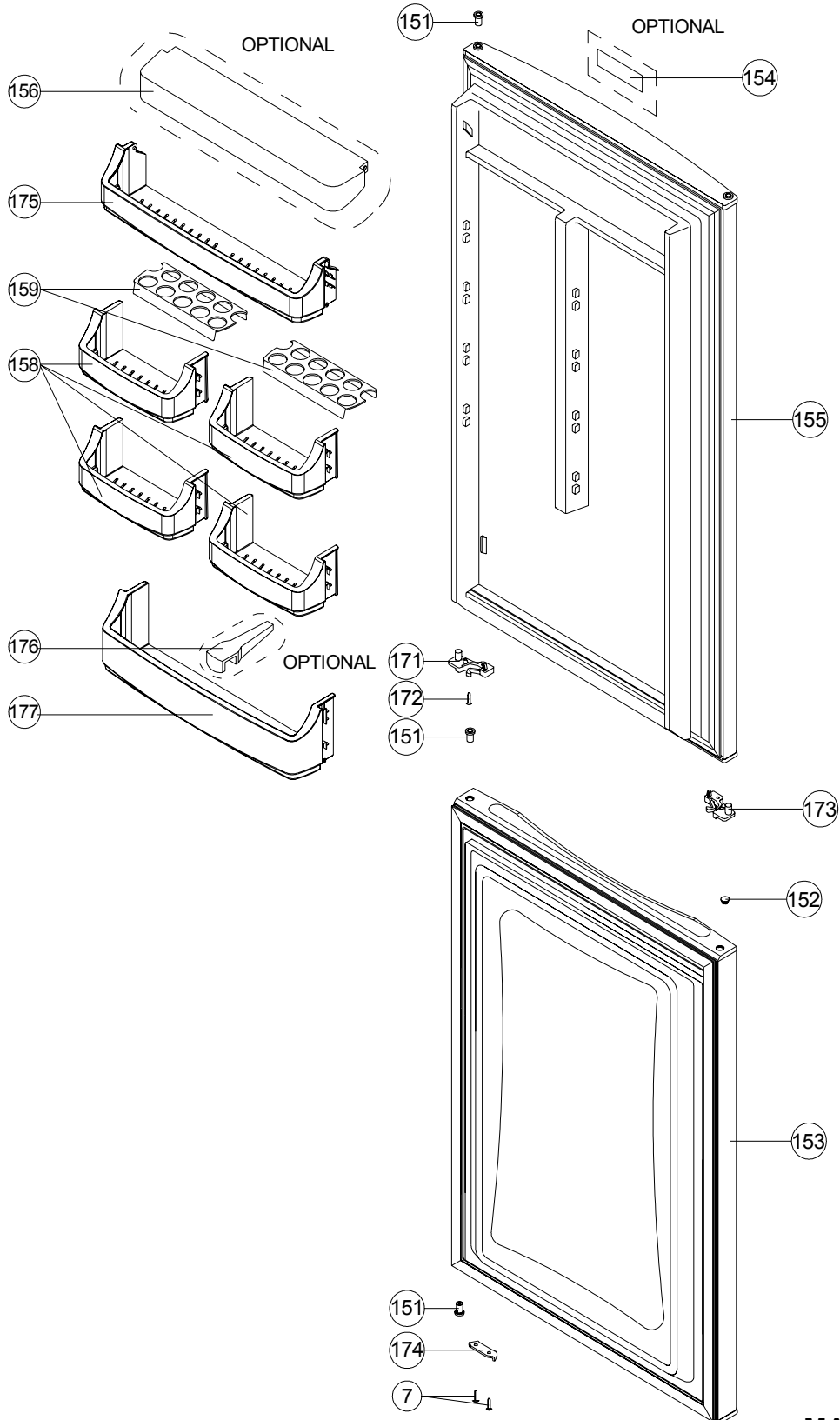
**CUSTOMER
SUPPORT**

MULTIFLOW PARTS LIST

POSITION NUMBER	PART NAME
25	SCREW 40*13 YSB-R-C-INOX
30	THERMOSTAT KNOB SPRING/465
35	WIRING HARNESS/THERM./366
70	SCREW KA 40*14 YSB-R-F-INOX
107	FRZ.THERMOSTAT
400	FIN EVAP ASSY/366
401	FIN EVAPORATOR/366
402	BIMETAL TERM.GR/370
407	F FAN MOTOR GR/370
408	F MULTIFLOW GR/366
409	PROPELLER
411	F FAN MOTOR COVER/370
413	EVAP FAN MOTOR
415	F MULTIFLOW FRONT/366
427	R MULTI FLOW INSULATION/366
428	R MULTI FLOW GR/366
431	THERMOSTAT KNOB (REF)
448	MULTI FLOW SRGF/366
449	R MULTIFLOW CAP/ 640
499	THERMAL FUSE ASSY/640
500	F FAN MOTOR BOX/370
501	F MULTI FLOW INSULATION/366
533	FIN EVAP HEATER/366
542	FIN EVAPORATOR CASE/366
543	THERMOSTAT HEATER GR
544	R AIRDUCKS COVER/366
626	FREEZER FAN MOTOR RUBBER

MARCH 2012

STANDARD DESIGN





NO FROST-COMBI 366-MECHANIC

DOOR ASSY. PARTS LIST-1

**CUSTOMER
SUPPORT**

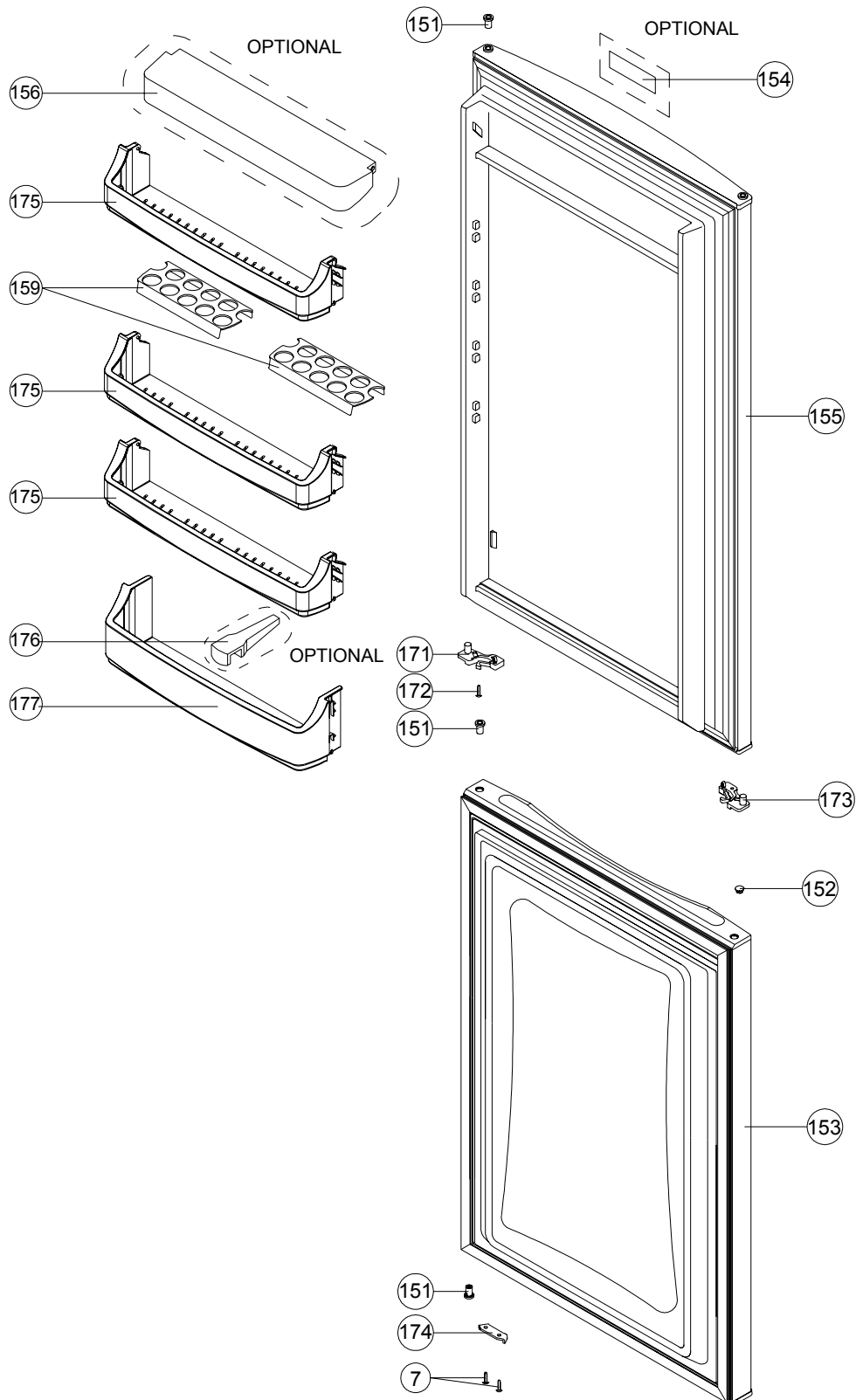
POSITION NUMBER	PART NAME
7	SCREW M5*14 WN 1342-H EJOT
151	BUSHING/345P
152	BUSHING CAP
153	F DOOR ASSY/360V
154	LOGO (<i>OPTIONAL</i>)
155	R DOOR ASSY/360V
156	SHELF COVER/345 (<i>OPTIONAL</i>)
158	EGG SHELF/345
159	EGG HOLDER(I+II)345
171	CATCHER RIGHT
172	SCREW KA 35*12 WN 1412(S.U)EJOT
173	CATCHER LEFT
174	R BOTTOM STOPER
175	CHEESE/BUTTER SHELF/345
176	BOTTLE HOLDER (<i>OPTIONAL</i>)
177	BOTTLE SHELF/345

ABBREVIATIONS :

ASSY : ASSEMBLY
R : REFRIGERATOR
F : FREEZER

MARCH 2012

FULL WIDTH DESIGN



MARCH 2012

**NO FROST-COMBI 366-MECHANIC****CUSTOMER
SUPPORT****DOOR ASSY. PARTS LIST-2**

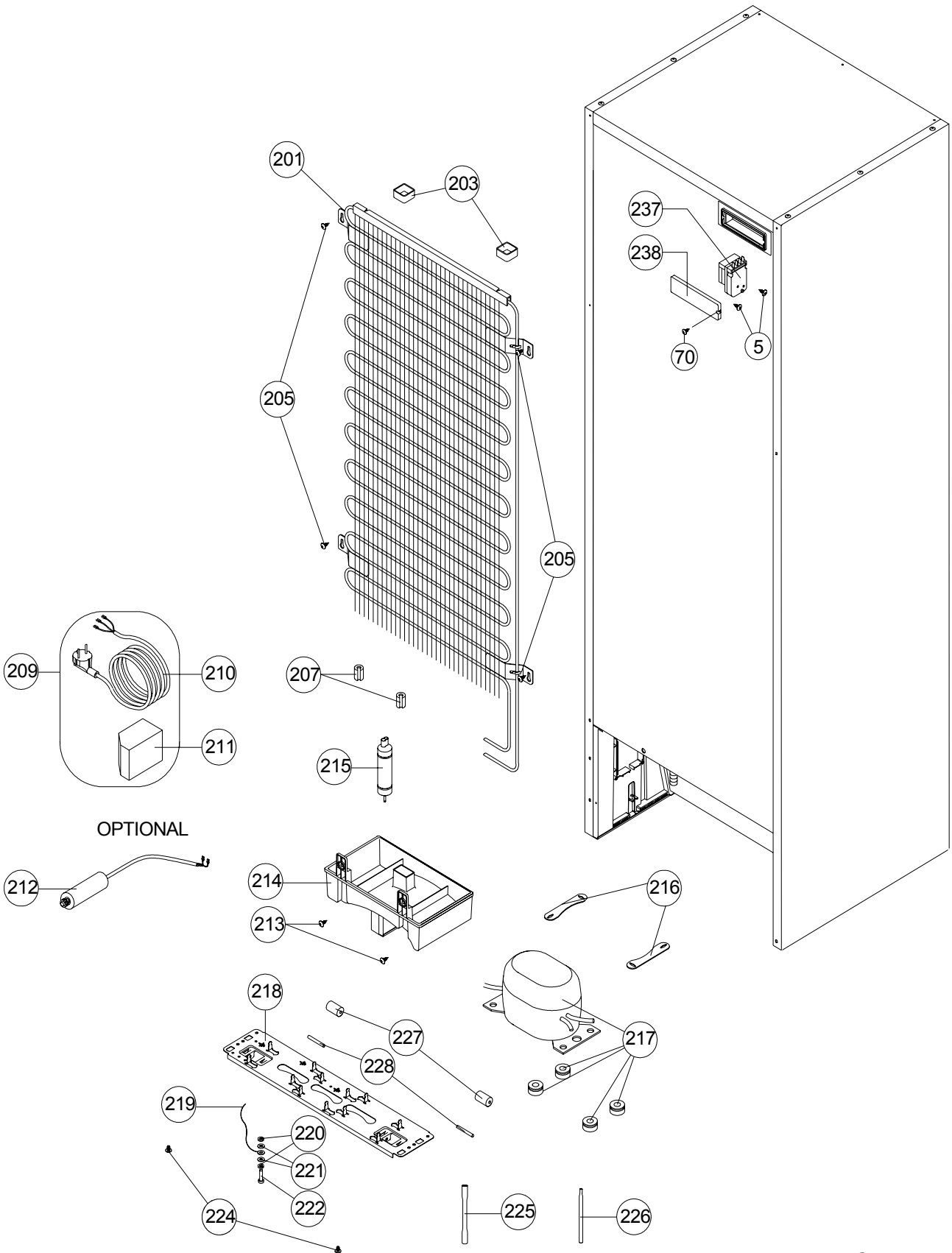
POSITION NUMBER	PART NAME
7	SCREW M5*14 YSB-F
151	BUSHING/345P
152	BUSHING CAP
153	F DOOR ASSY/360V
154	LOGO (<i>OPTIONAL</i>)
155	R DOOR ASSY/360V (FULLWIDTH)
156	SHELF COVER/345 (<i>OPTIONAL</i>)
159	EGG HOLDER(I+II)345
171	CATCHER RIGHT
172	SCREW KA 35*12 YSB-C
173	CATCHER LEFT
174	R BOTTOM STOPPER
175	CHEESE/BUTTER SHELF/345
176	BOTTLE HOLDER (<i>OPTIONAL</i>)
177	BOTTLE SHELF/345

ABBREVIATIONS :

ASSY : ASSEMBLY
R : REFRIGERATOR
F : FREEZER

MARCH 2012

UNIT PARTS





NO FROST-COMBI 366-MECHANIC

**CUSTOMER
SUPPORT**

UNIT PARTS LIST

POSITION NUMBER	PART NAME
5	SCREW KA 40*8 WN 1412 EJOT
70	SCREW KA 40*14 WN 1411(INOX)EJOT
201	MAIN CONDANSER/345
203	SPACER
205	SCREW 4.8*13 DIN7981 TYSB W.O. WASHER
207	ANTIVIBRATION (CONDENSER)
209	POWER CORD GR
210	POWER CORD
211	OVER LOAD RELAY
212	CAPACITOR (OPTIONAL)
213	SCREW 4.2*9.5 DIN 7981 YSB
214	EVAPORATING TRAY/345
215	DRYER (XH9,10GR)
216	COMPR. FIXING BRACKET
217	COMPRESSOR
218	COMPR. BASEMENT/345
219	GROUNDING WIRE
220	NUT M4*3.2 DIN 934 ZNK
221	WASHER 4.3*8*0.9 DIN 6798 ZNK
222	SCREW M4*16 DIN 933 ZNK
224	SCREW KA 50*14 WN 1412 EJOT
225	SERVICE TUBE
226	DRYER VACUUM TUBE
227	WHEEL
228	REAR WHEEL PIN
237	TIMER/12H/220V-50HZ
238	TIMER COVER (SPONGE)

MARCH 2012