

NOTE : On this exploded view, standard accessories drawings are used. According to your product, some changes may become on the accessories.



VESTEL COMBI

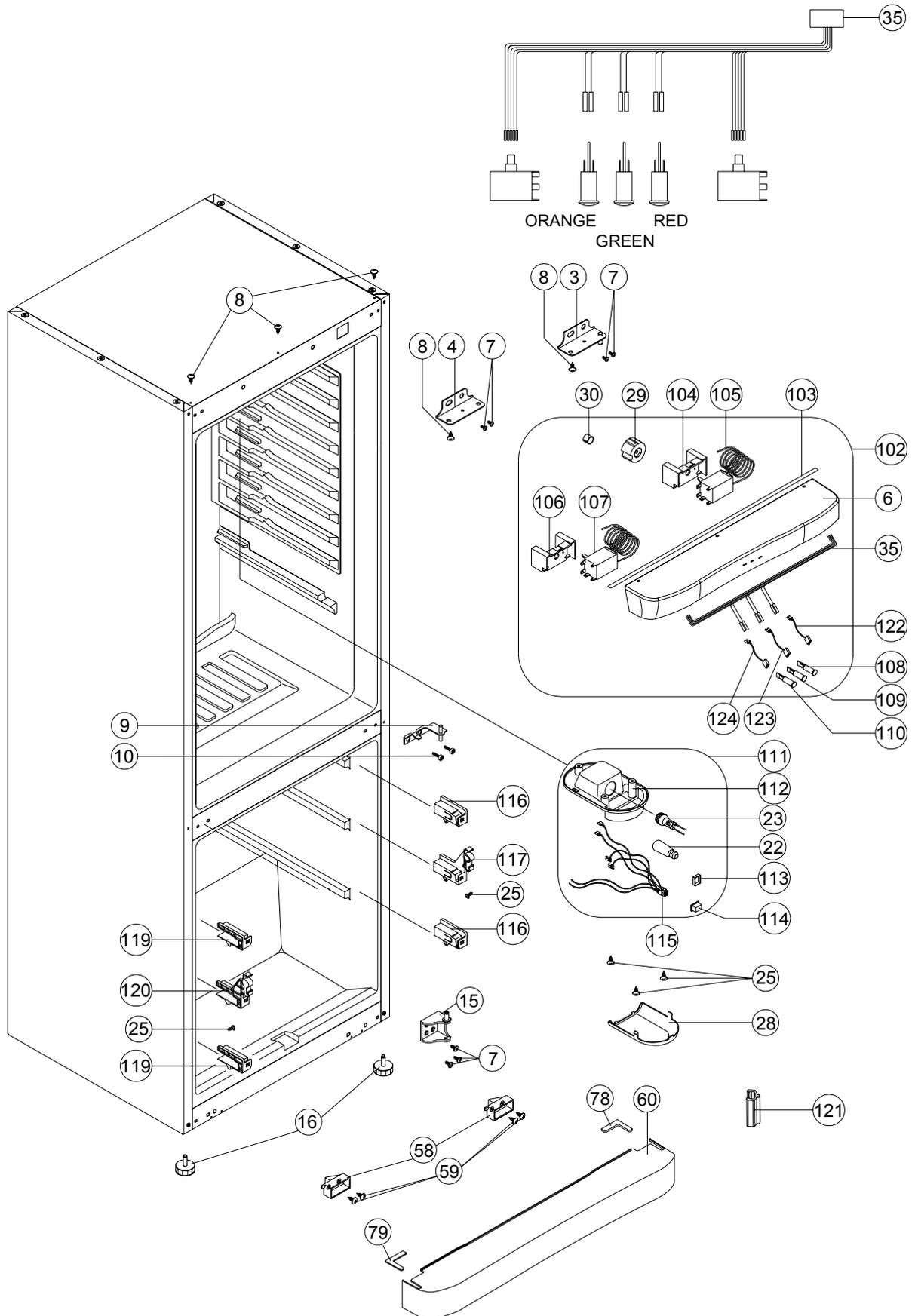
CUSTOMER
SUPPORT

ACCESSORY PARTS LIST

POSITION NUMBER	PART NAME
1	ASSY URT CAB/365
12	MIDDLE HINGE SCREW CAP (BIG)
13	DOOR SWITCH
14	TUNNEL DRAIN PLUG
17	ICE SCRAPER (OPTIONAL)
18	ICE TRAY (OPTIONAL)
37	R COMPARTMENT SHELF/345
38	SHELF TRIM R/345
39	CRISPER COVER/360
40	CRISPER COVER TRIM/345
41	CRISPER/360
43	WINE SHELF/345 (FIVE BOOTLE) (OPTIONAL)
90	GRIP TRAY ICE/360 (OPTIONAL)
91	F COVER/360
92	MIDDLE BASKET/360
93	BOTTOM BASKET/360
94	BASKET F DRAIN/360 (DELETED AFTER DATE 13.11.2008)
95	F EVAP TRIM/360
96	F EVAPORATOR ASSY/365
97	F DRAIN GR/360 (DELETED AFTER DATE 13.11.2008)
98	F DRAIN/360 (DELETED AFTER DATE 13.11.2008)
99	F DRAIN HOLDER/360 (DELETED AFTER DATE 13.11.2008)
164	DOOR HANDLE SCREW CAP

ABBREVIATIONS :

ASSY : ASSEMBLY
 URT : URETHANE
 CAB : CABINET
 R : REFRIGERATOR
 F : FREEZER





VESTEL COMBI

CUSTOMER
SUPPORT

INTERIOR PARTS LIST

POSITION NUMBER	PART NAME
3	TOP HINGE/260V (WITH PIN)
4	TOP HINGE/260V (WITHOUT PIN)
6	HEAD PANEL/365W
7	SCREW M5*14 WN 1342-H EJOT
8	SCREW 4.2*13 DIN 7981 YHB DYED
9	MIDDLE HINGE PAINTED/345CE
10	SCREW M5*14 WN 1342-H EJOT DYED
15	BOTTOM HINGE/345CE
16	STATIONARY FOOT
22	LAMP (E14/220-240V/15W)
23	LAMP HOLDER-E14
25	SCREW PLS KA 40*13(INOX-S.UÇ)SUS 430
28	LAMP COVER/360
29	THERMOSTAT KNOB SRGF/245S
30	THERMOSTAT KNOB SPRING/465
35	WIRING HARNESS/THERMOSTAT/310
58	KICK PLATE HOLDER
59	SCREW 3.5*13 DIN 7981 YSB
60	KICK PLATE/345W
78	KICK PLATE CAP RIGHT/W
79	KICK PLATE CAP LEFT/W
102	HEAD PANEL GR/365W
103	HEAD PANEL SEAL/360
104	THERMOSTAT HOLDER/245S
105	REF.THERMOSTAT
106	THERMOSTAT HOLDER/310S
107	FRZ.THERMOSTAT
108	INDICATOR LAMP (RED)
109	INDICATOR LAMP (GREEN)
110	INDICATOR LAMP (ORANGE)
111	LAMP BOX ASSY/310
112	LAMP BOX/310
113	SUPERFREEZE ISOLATOR/365
114	SUPERFREEZE SWITCH/365
115	WIRING HARNESS/WITH LAMP BOX/310
116	F EVAP SUPPORT R/360
117	F COVER SUPPORT R/360
119	F EVAP SUPPORT L/360
120	F COVER SUPPORT L/360
121	THERMO CAPI BRACKET/360
122	INDICATOR LAMP(WHITE)270kOHM-RED CABLE
123	INDICATOR LAMP(GREEN)270kOHM-GREEN CABLE
124	INDICATOR LAMP(WHITE)270kOHM-ORANGE CABLE

ABBREVIATIONS :

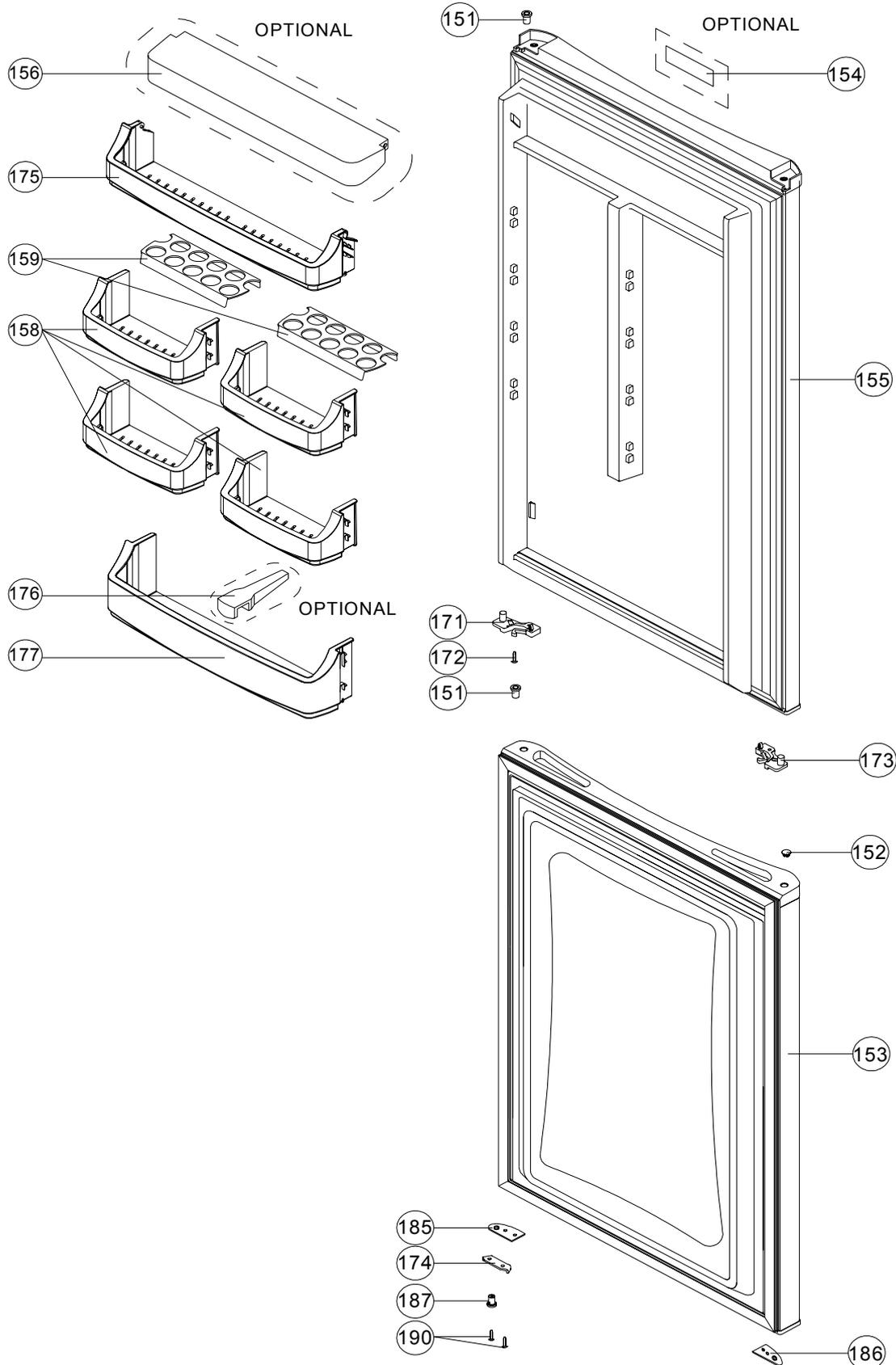
F : REEZER

R : RIGHT

L : LEFT

PLS : PLASTIC

STANDARD DESIGN



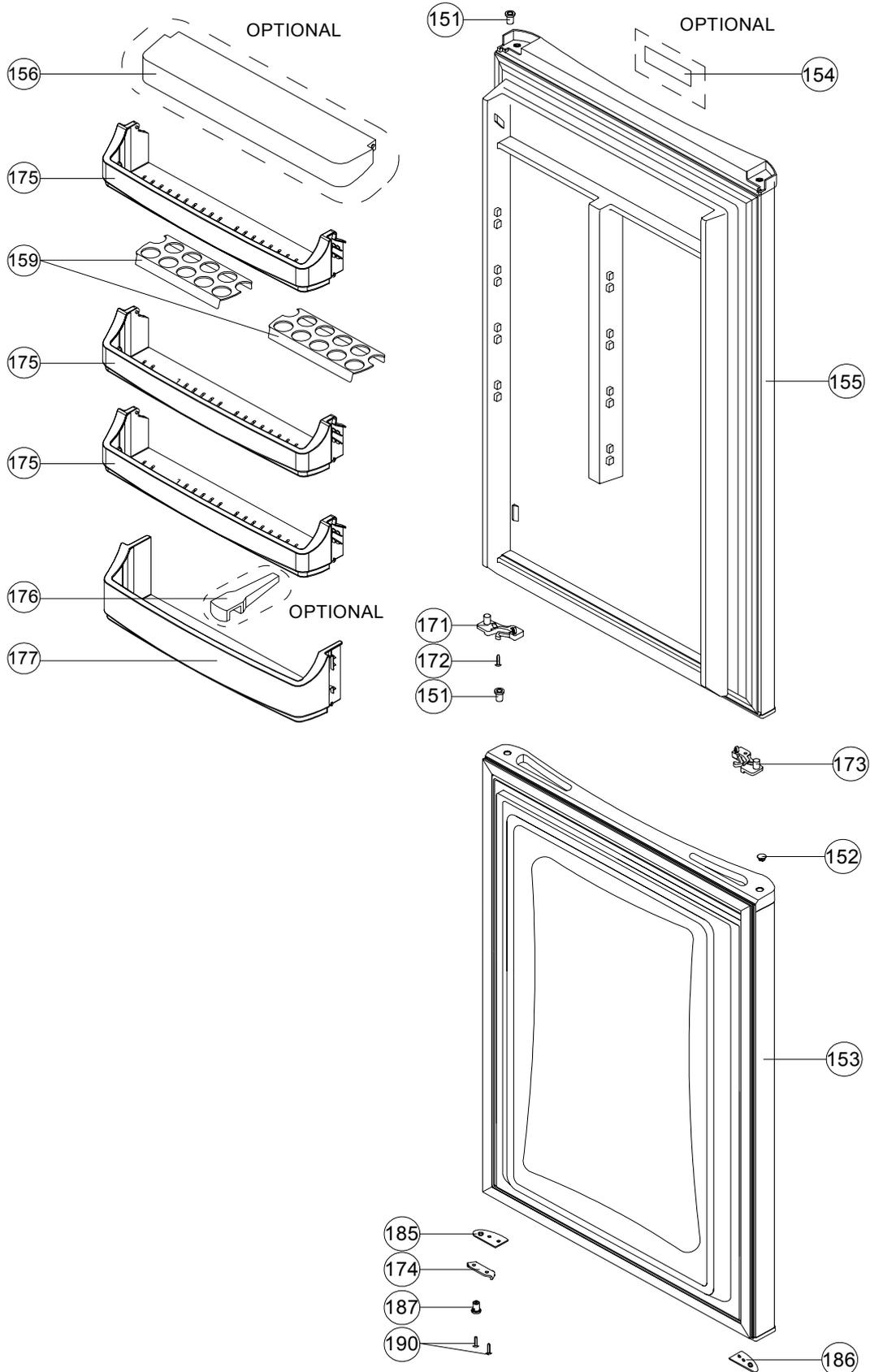
 WHITE GOODS	VESTEL COMBI	CUSTOMER SUPPORT
	DOOR ASSY. PARTS LIST-1	

POSITION NUMBER	PART NAME
151	BUSHING/345P
152	BUSHING CAP
153	F DOOR ASSY/360W
154	LOGO (OPTIONAL)
155	R DOOR ASSY/360W
156	SHELF COVER/345 (OPTIONAL)
158	EGG SHELF/345
159	EGG HOLDER(I+II)345
171	CATCHER RIGHT/CE-W
172	SCREW KA 35*12 WN 1412(S.U)EJOT
173	CATCHER LEFT/CE-W
174	R BOTTOM STOPPER
175	CHEESE/BUTTER SHELF/345
176	BOTTLE HOLDER (OPTIONAL)
177	BOTTLE SHELF/345
185	R BOTTOM STOPPER REINFORCEMENT/RIGHT-CE
186	R BOTTOM STOPPER REINFORCEMENT/LEFT-CE
187	BUSHING/345CE
190	SCREW 50*20 RYSB(SİV.UÇ)

ABBREVIATIONS :

ASSY : ASSEMBLY
R : REFRIGERATOR
F : FREEZER

FULL WIDTH DESIGN

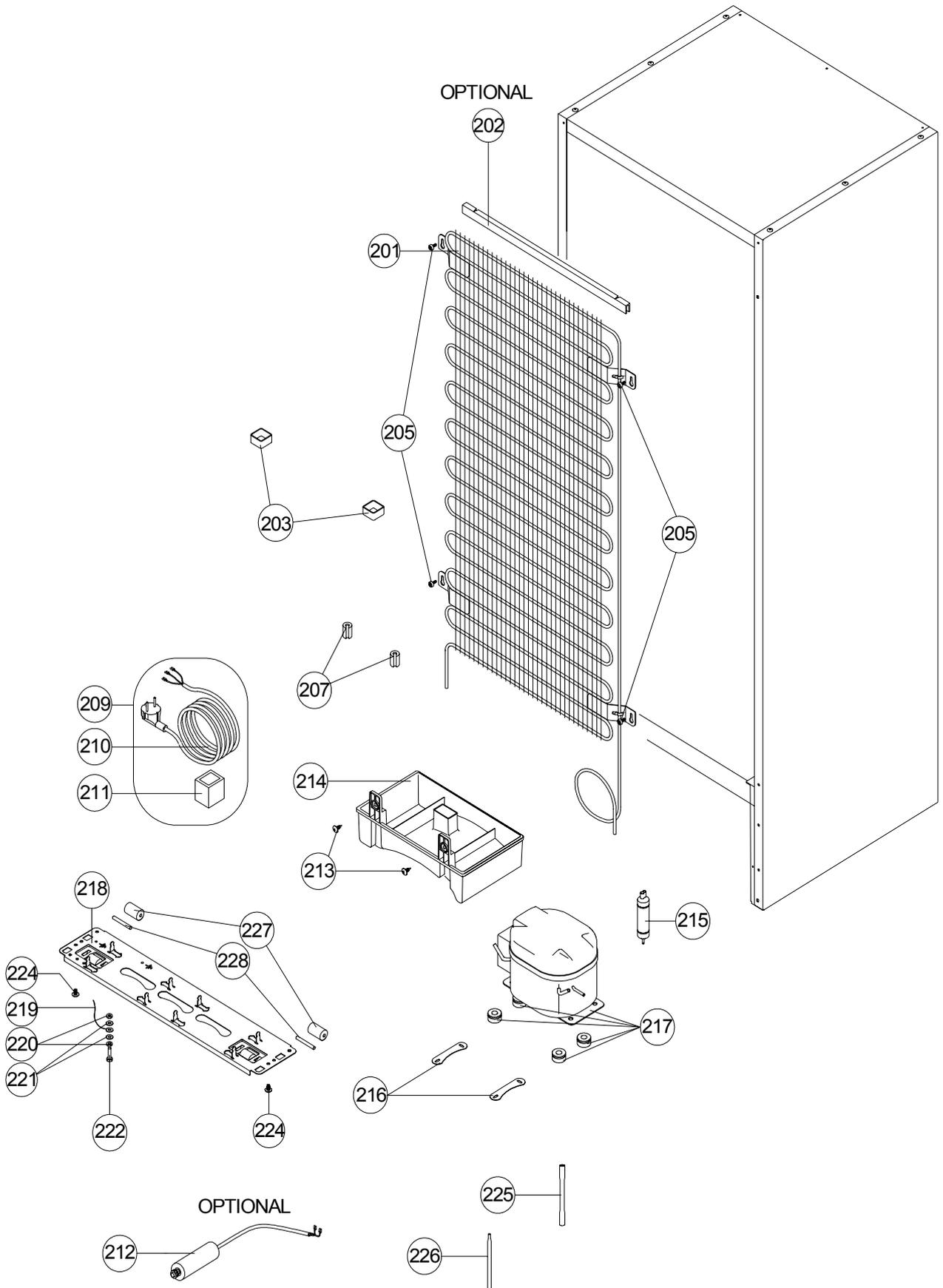


	VESTEL COMBI	CUSTOMER SUPPORT
	DOOR ASSY. PARTS LIST-1	

POSITION NUMBER	PART NAME
151	BUSHING/345P
152	BUSHING CAP
153	F DOOR ASSY/360W
154	LOGO (OPTIONAL)
155	R DOOR ASSY/360W FULL WIDTH
156	SHELF COVER/345 (OPTIONAL)
159	EGG HOLDER(I+II)345
171	CATCHER RIGHT/CE-W
172	SCREW KA 35*12 WN 1412(S.U)EJOT
173	CATCHER LEFT/CE-W
174	R BOTTOM STOPPER
175	CHEESE/BUTTER SHELF/345
176	BOTTLE HOLDER (OPTIONAL)
177	BOTTLE SHELF/345
185	R BOTTOM STOPPER REINFORCEMENT/RIGHT-CE
186	R BOTTOM STOPPER REINFORCEMENT/LEFT-CE
187	BUSHING/345CE
190	SCREW 50*20 RYSB(SİV.UÇ)

ABBREVIATIONS :

ASSY : ASSEMBLY
R : REFRIGERATOR
F : FREEZER





VESTEL COMBI

**CUSTOMER
SUPPORT**

UNIT PARTS LIST

POSITION NUMBER	PART NAME
201	MAIN CONDANSER/345
202	CONDENSER TRIM/345 (<i>OPTIONAL</i>)
203	SPACER
205	SCREW 4.8*13 DIN7981 TYSB W.O. WASHER
207	ANTIVIBRATION (CONDENSER)
209	POWER CORD GROUP
210	POWER CORD
211	OVER LOAD RELAY
212	CAPACITOR (<i>OPTIONAL</i>)
213	SCREW 4.2*9.5 DIN 7981 YSB
214	EVAPORATING TRAY/260
215	DRYER (XH9,10GR)
216	COMPR. FIXING BRACKET
217	COMPRESSOR
218	COMPR. BASEMENT/345
219	GROUNDING WIRE
220	NUT M4*3.2 DIN 934 ZNK
221	WASHER 4.3*8*0.9 DIN 6798 ZNK
222	SCREW M4*16 DIN 933 ZNK
224	SCREW KA 50*14 WN 1412 EJOT
225	SERVICE TUBE (90*6*0,7)
226	DRYER VACUUM TUBE
227	FRONT/BACK WHEEL
228	REAR WHEEL PIN