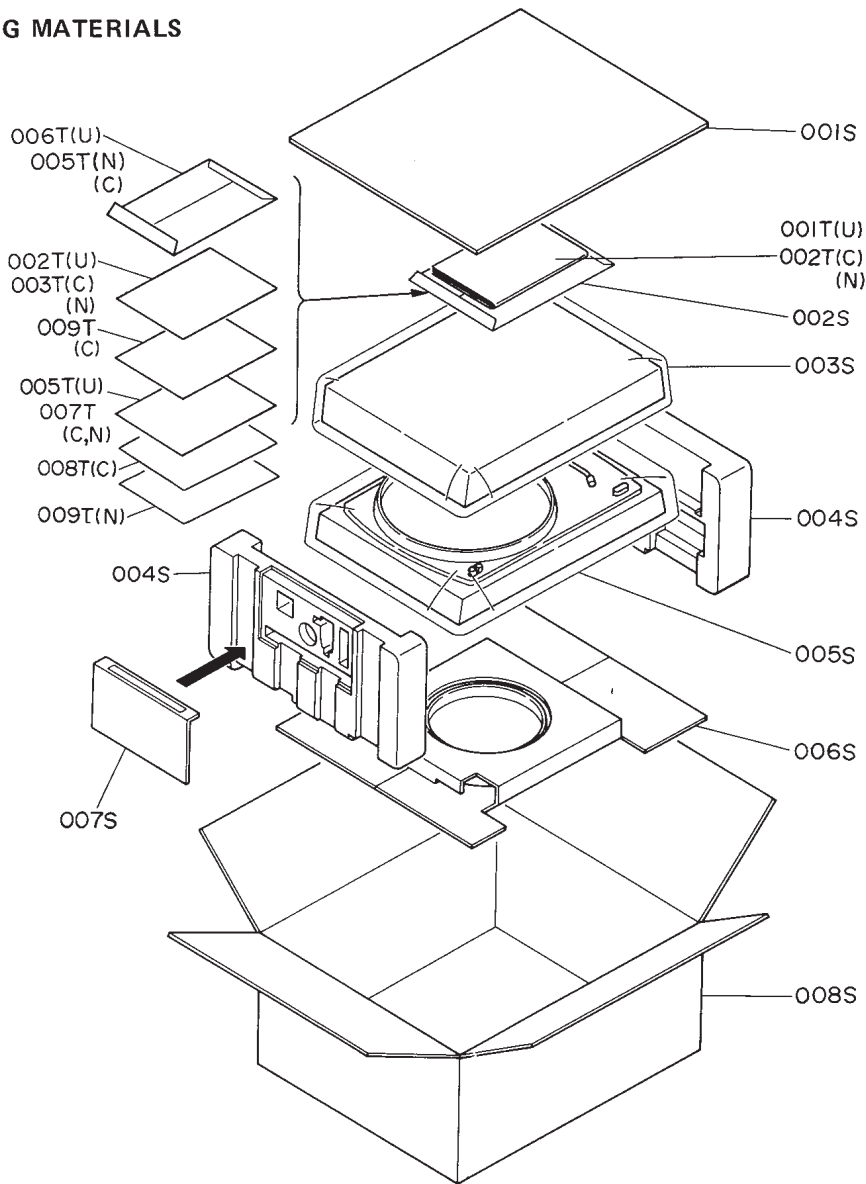






5-5. [H01-99] PACKING MATERIALS



REF. DESIG.	Q'TY			PART NO.	DESCRIPTION
	U	C	N		
001S	1	1	1	2477807010	Reinforcement
002S	1	1	1	9013025010	Polythy Bag
003S	1	1	1	2477811010	Polythy Bag
004S	2	2	2	2477809010	Cushion
005S	1	1	1	9090909040	Polyth Sheet
006S	1	1	1	9013540010	Polyth Sheet
007S	1	1	1	2477807020	Reinforcement
008S	1	1	1	2477801010	Packing Case
001T	1			2477851010	Instructions
002T	1			2477851020	Instructions
002T			1	2477851310	Instructions
002T		1		2477851010	Instructions
003T		1		2477851020	Instructions
003T			1	2477851030	Instructions

REF. DESIG.	Q'TY			PART NO.	DESCRIPTION
	U	C	N		
005T	1			2818854023	Guarantee Card
005T		1		2918813012	Envelope
005T			1	2818813010	Envelope
006T	1			2225813010	Envelope
007T		1	1	9630000180	(IBM Card) Guarantee Card
008T		1		9650000053	S. Station Cord
009T			1	9560000043	Hang Tag
009T		1		2818854042	Guarantee Card

W01-99	Assembly and Wiring				
T01-99	Adjustment				
X01-00	Correction				