

Nilfisk Extreme

Model:

Nilfisk Extreme Eco
Nilfisk Extreme Free
Nilfisk Extreme X100
Nilfisk Extreme X110
Nilfisk Extreme X150
Nilfisk Extreme X200
Nilfisk Extreme X210
Nilfisk Extreme X300
Nilfisk Extreme X300C



Liste de pièces Français

16-02-2011

Nilfisk

www.nilfisk.com

Table des matières

Nilfisk Extreme

| | |
|---|-----------|
| Body and body parts | 3 |
| Motors, on/off switches and PCBs | 6 |
| Cable sets | 8 |
| Dust bags and filters | 10 |
| Hoses, connections and tubes | 12 |
| BUSES | 14 |

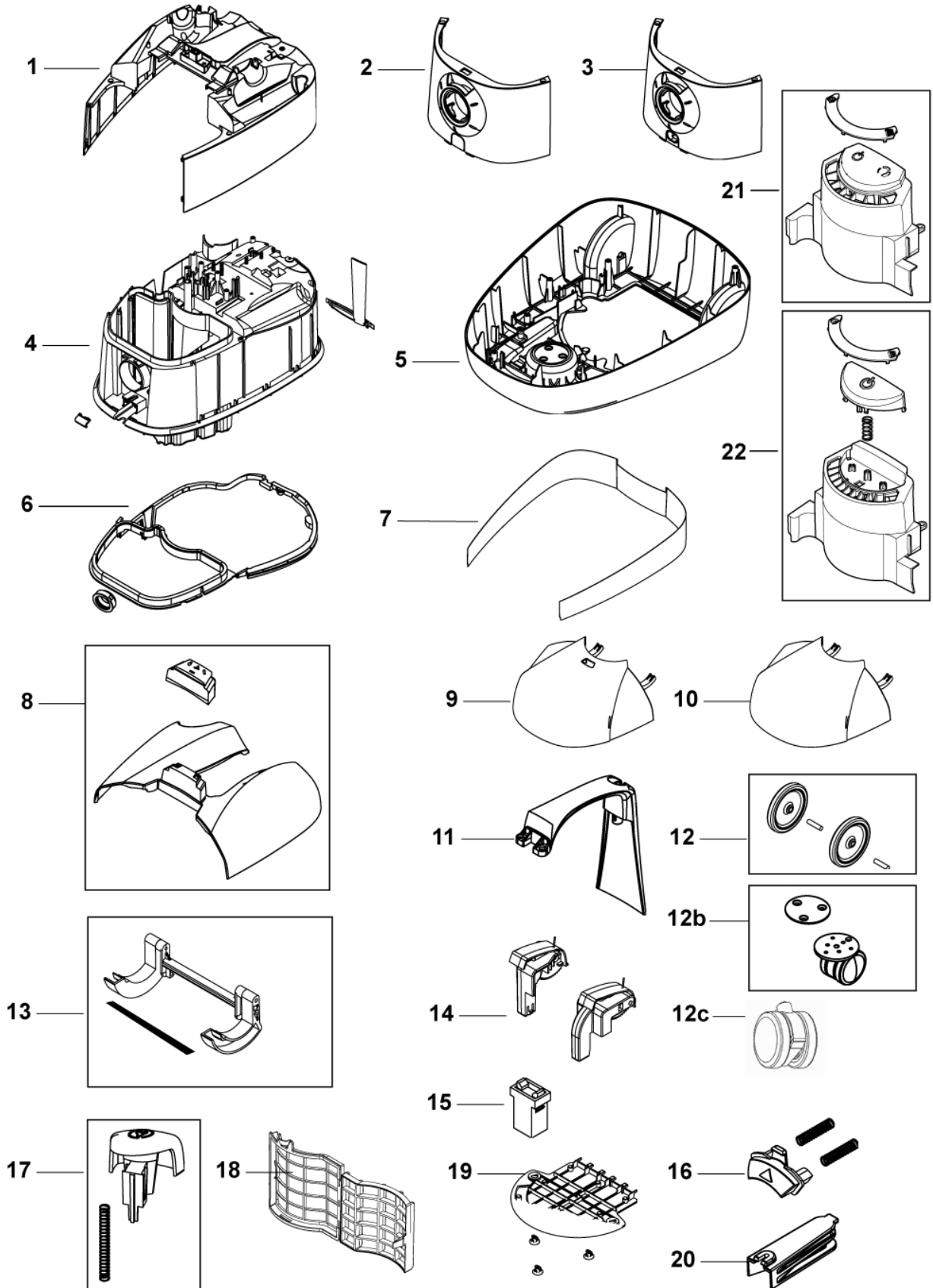
Body and body parts

Nilfisk Extreme

16-02-2011

ID Liste de pièces
A5637

3



Body and body parts

Nilfisk Extreme

16-02-2011

ID Liste de pièces
A5637

4

| Pos | Réf. Pièce | Qté | Description | | EAN |
|-----|--------------|-----|--------------------------------|---|------------|
| 1 | 147 0113 500 | 1 | CUVE EXTERIEUR ROUGE | Colour: Red solid | 7319519647 |
| 1 | 147 0113 510 | 1 | PARTIE CUVE EXT BLEU | Colour:Blue solid | 7319519647 |
| 1 | 147 0113 530 | 1 | PARTIE CUVE EXT METALISEE | Colour: Silver metallic | 7319519647 |
| 1 | 147 0113 550 | 1 | CUVE EXTERIEUR METALISEE | Colour: Blue metallic | 7319519647 |
| 1 | 147 0113 570 | 1 | PARTIE DE CUVE EXT | Colour: Purple | 7319519647 |
| 1 | 147 0113 580 | 1 | CUVE EXTERIEUR METALISEE | Colour: Champagne metallic | 7319519647 |
| 1 | 147 0113 590 | 1 | MAIN BODY OUTER X210 GREEN MET | Colour: Green metallic | 7319519661 |
| 1 | 147 0113 600 | 1 | MAIN BODY OUTER X150 SIENA | Colour: Siena Metallic | 7319519666 |
| 1 | 147 0113 610 | 1 | MAIN BODY OUTER ECO | ECO | 7319519673 |
| 1 | 147 0113 620 | 1 | MAIN BODY OUTER FREE | Free | 7319519678 |
| 2 | 147 0107 500 | 1 | PARTIE AVANT DE CUVE EXT | Colour: Black | 7319519647 |
| 2 | 147 0107 520 | 1 | CAPOT SYLVER POUR EXTREME | Colour: Silver metallic | 7319519666 |
| 2 | 147 0107 530 | 1 | COVER FRONT EXTREME WHITE | ECO | 7319519673 |
| 2 | 147 0107 540 | 1 | COVER FRONT EXTREME FREE | Free | 7319519678 |
| 3 | 147 0214 500 | 1 | PARTIE AVANT DE CUVE EXT | Colour: Black. With outlet | 7319519647 |
| 3 | 147 0214 520 | 1 | COVER FRONT POWER OUTL.EXTREME | Colour: Champagne metallic. With outlet | 7319519666 |
| 4 | 147 0215 500 | 1 | PARTIE DE CUVE INTERIEURE | | 7319519650 |
| 5 | 147 0100 500 | 1 | BAS DE CUVE POUR EXTREME | | 7319519647 |
| 6 | 147 0570 500 | 1 | JOINT DE FERMETURE DE | | 7319519648 |
| 7 | 147 0110 500 | 1 | BANDEAU ARGENT EXTREME | | 7319519647 |
| 8 | 147 0116 510 | 1 | COUVERCLE ROUGE COFFRE | Colour: Red solid | 7319519647 |
| 8 | 147 0116 520 | 1 | COUVERCLE BLEU COFFRE | Colour:Blue solid | 7319519647 |
| 8 | 147 0116 530 | 1 | CAPOT ACC EXTREME X150 | Colour: Silver metallic | 7319519647 |
| 8 | 147 0116 540 | 1 | COUVERCLE METALISE BLEU | Colour: Blue metallic | 7319519647 |
| 8 | 147 0116 550 | 1 | COUVERCLE METALISE VIOLET | Colour: Purple metallic | 7319519647 |
| 8 | 147 0116 560 | 1 | COUVERCLE METALISE CHAMPA | Colour: Champagne metallic | 7319519647 |
| 8 | 147 0116 570 | 1 | LID ACC. X210 GREEN METALLIC | Colour: Green metallic | 7319519661 |
| 8 | 147 0116 580 | 1 | LID ACC.F/EXTREME X150 SIENA | Colour:Siena metallic | 7319519666 |
| 8 | 147 0116 610 | 1 | KIT COUVERCLE EXTREME ECO | ECO | 7319519673 |
| 8 | 147 0116 620 | 1 | LID ACC.F/EXTREME FREE | Free | 7319519678 |
| 9 | 147 0277 500 | 1 | COUVERCLE ROUGE CAPOT | Colours: Red and Black | 7319519647 |
| 9 | 147 0277 510 | 1 | COUVERCLE BLEU CAPOT | Colours: Blue and Black | 7319519647 |
| 9 | 147 0277 520 | 1 | COUVERCLE CPLT EXTREME ECO | ECO | 7319519673 |
| 10 | 147 0298 500 | 1 | COUVERCL POUS EXTREM X150 | Colours: Silver metallic and Black | 7319519647 |
| 10 | 147 0298 510 | 1 | COUV METAL BLEU CAPOT | Colours: Blue metallic and Black | 7319519647 |
| 10 | 147 0298 520 | 1 | COUV METAL VIOLET CAPOT | Colours: Purple metallic and Black | 7319519647 |
| 10 | 147 0298 530 | 1 | COUV METAL CHAMPAGNE | Colours: Champagne metallic and Black | 7319519647 |
| 10 | 147 0298 540 | 1 | DUST LID X210 GREEN METALLIC | Colours: Green metallic and Black | 7319519661 |
| 10 | 147 0298 570 | 1 | DUST LID CPL EXTREME X150 SIEN | Colour:s Siena metallic and Black | 7319519666 |

Body and body parts

Nilfisk Extreme

16-02-2011

ID Liste de pièces
A5637

5

| Pos | Réf. Pièce | Qté | Description | EAN |
|-----|--------------|-----|---|------------|
| 10 | 147 0298 580 | 1 | DUST LID CPL EXTREME X150 Colour: Silver metallic | 7319519666 |
| 10 | 147 0298 590 | 1 | DUST LID CPL EXTREME X300 Colour: Champagne metallic | 7319519666 |
| 10 | 147 0298 600 | 1 | DUST LID CPL EXTREME FREE Free | 7319519678 |
| 11 | 147 0212 500 | 1 | POIGNEE COMPLETE EXTREME | 7319519647 |
| 12 | 147 0242 500 | 1 | KIT DE ROUES A VANT ET ARR | 7319519647 |
| 13 | 147 0264 500 | 1 | CHARNIERE POUR COUVERCLE | 7319519647 |
| 14 | 147 0274 500 | 1 | KIT CHARNIERES COFFRE | 7319519647 |
| 15 | 147 0184 500 | 1 | VERROU DE CAPOT | 7319519647 |
| 16 | 147 0108 500 | 1 | BOUTON D OUVERTURE CAPOT | 7319519647 |
| 17 | 147 0117 500 | 1 | BOUTON CABLE ENROULEUR | 7319519647 |
| 18 | 147 1187 500 | 1 | SUPPORT PRE FILTRE EXTREM | 7319519662 |
| 19 | 147 0101 500 | 1 | COUVERCLE COMPARTIMENT | 7319519648 |
| 20 | 147 0208 500 | 1 | POSITION PARKING POWER | 7319519647 |
| 21 | 107402476 | 1 | X150/X200 PANEL REPLACEMENT | 7319519681 |
| 22 | 107402477 | 1 | X300 PANEL REPLACEMENT KIT | 7319519681 |
| 12B | 147 1040 500 | 1 | ROUE COMPLETE PIVOTANTE includes 3 screws | 7319519656 |
| 12C | 147 1040 510 | 1 | ROULETTE PIVOTANTE NUE | 7319519660 |

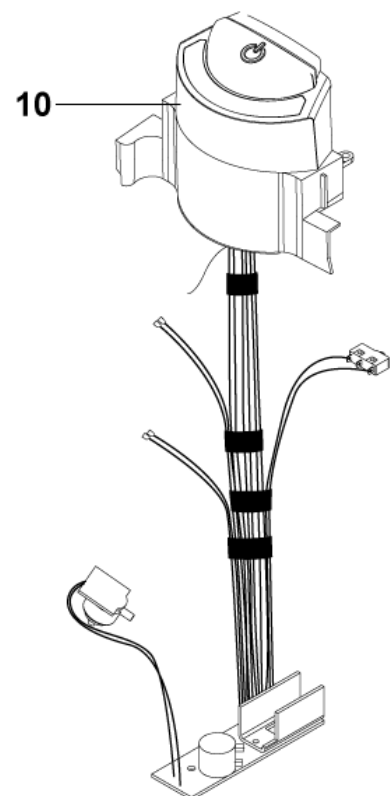
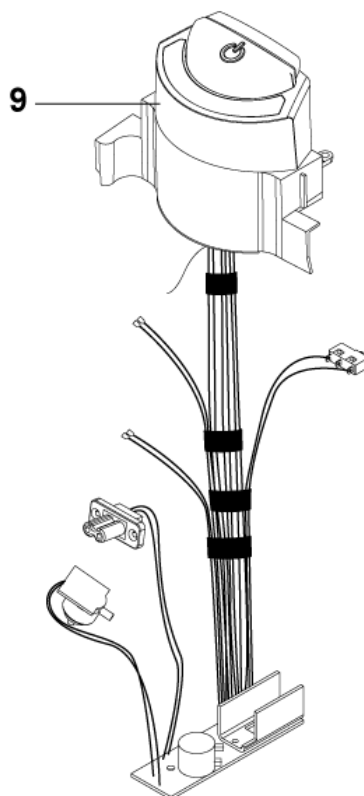
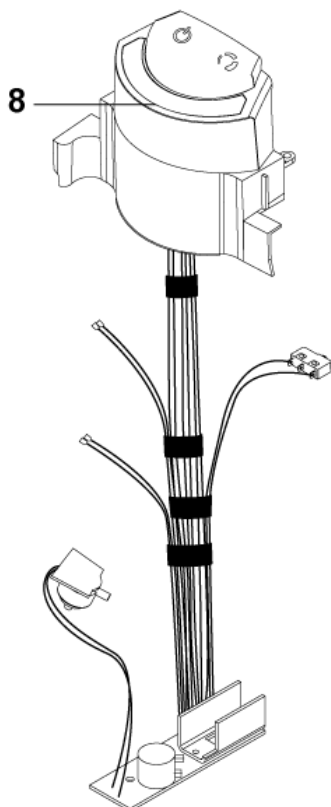
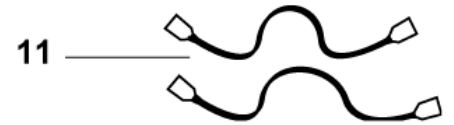
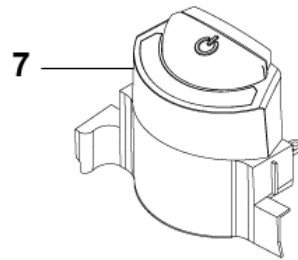
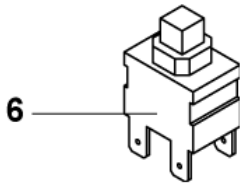
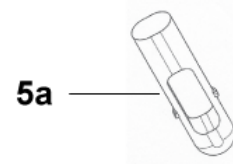
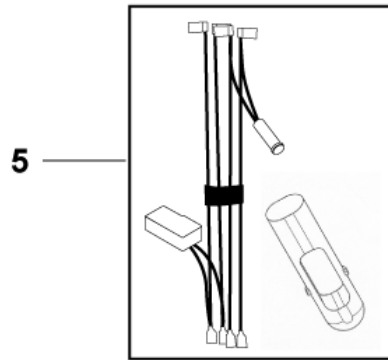
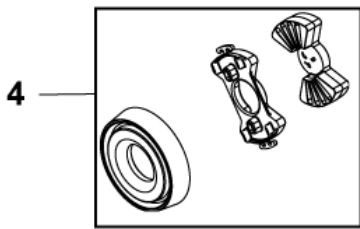
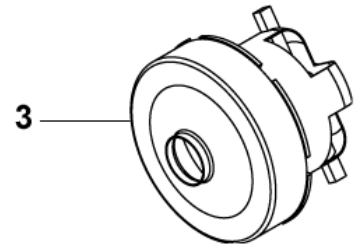
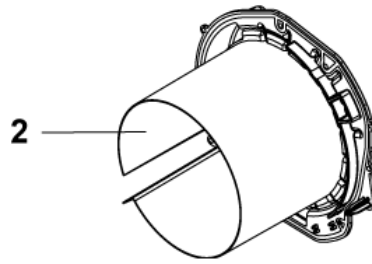
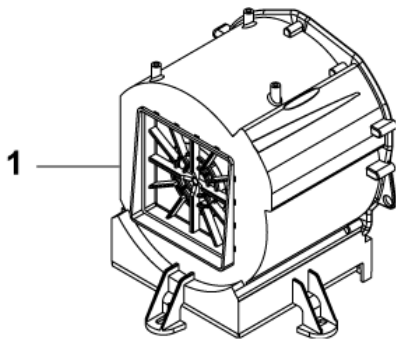
Motors, on/off switches and PCBs

16-02-2011

ID Liste de pièces
A5633

Nilfisk Extreme

6



Motors, on/off switches and PCBs

Nilfisk Extreme

16-02-2011

ID Liste de pièces
A5633

7

| Pos | Réf. Pièce | Qté | Description | EAN |
|-----|--------------|-----|--------------------------------|--------------------|
| 1 | 147 0250 500 | 1 | MOTOR MODULE EXTREME | 7319519647 |
| 2 | 147 0251 500 | 1 | MOTOR MODULE LID EXTREME | 7319519647 |
| 3 | 147 0567 500 | 1 | MOTEUR COMPLET 220 V | 7319519647 |
| 3 | 147 0568 500 | 1 | MOTEUR COMPLET 220 V | 7319519647 |
| 4 | 147 0560 500 | 1 | KIT SUSPENSION POSITION MOTEUR | 7319519647 |
| 5 | 147 0554 500 | 1 | KIT CABLAGE INTERRUPTEUR | 7319519647 |
| 6 | 140 8096 500 | 1 | INTERRUPTEUR | 7319519629 |
| 7 | 147 0120 500 | 1 | CARTE X 100/110 | 7319519647 |
| 8 | 147 0280 500 | 1 | DISPLAY EXTREME X 150/200 | 7319519647 |
| 8 | 147 0280 510 | 1 | EL.MEDIUM X150-210 110-120V | 7319519647 |
| 9 | 147 0281 500 | 1 | DISPLAY EXTREME X 300 | 7319519647 |
| 9 | 147 0281 510 | 1 | EL.PREMIUM X300 110-120V | 7319519647 |
| 10 | 107402064 | 1 | EL. PREMIUM FREE 220-240V | Free 7319519678 |
| 11 | 140 7040 500 | 1 | CABLAGE MOTEUR EXTREME | 7319519647 |
| 5A | 147 0236 500 | 1 | GALETTE D INTERRUPTEUR | 7319519659 |

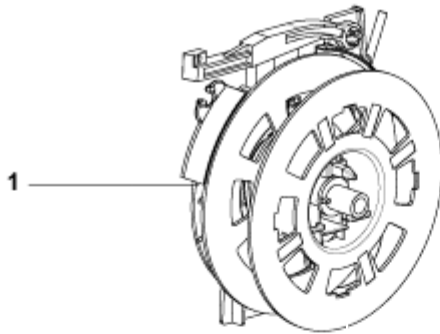
Cable sets

Nilfisk Extreme

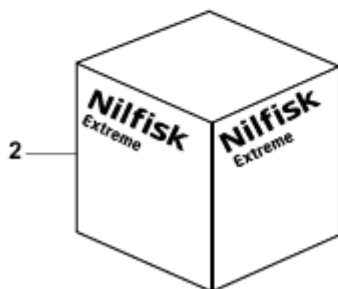
16-02-2011

ID Liste de pièces
A5635

8



| Cable with plug/socket for bracket | | | |
|------------------------------------|---------|-----------|--|
| | Voltage | Plug type | |
| EU | 220-240 | | |
| UK | 220-240 | | |
| AUS/NZ | 220-240 | | |
| CH | 220-240 | | |
| USA/CAN | 110-120 | | |



Cable sets

Nilfisk Extreme

16-02-2011

ID Liste de pièces
A5635

9

| Pos | Réf. Pièce | Qté | Description | | EAN |
|-----|--------------|-----|--|---------|------------|
| 1 | 147 0171 550 | 1 | ENROULEUR CPLT CABLE 7M POUR X100/X150 | L=7 M | 7319519660 |
| 1 | 147 0171 560 | 1 | CABLE REW EXTREME UK | L=7 M | 7319519660 |
| 1 | 147 0171 570 | 1 | CABLE REW EXTREME A U/NZ | | 7319519660 |
| 1 | 147 0171 590 | 1 | CABLE REW EXTREME CH | L=7 M | 7319519660 |
| 1 | 147 0182 550 | 1 | ENROULEUR DE CABLE EXTREME | L=8,5 M | 7319519660 |
| 1 | 147 0182 560 | 1 | CABLE REW EXTREME UK | L=8,5 M | 7319519660 |
| 1 | 147 0182 570 | 1 | CABLE REW EXTREME A U/NZ | L=8,5 M | 7319519660 |
| 1 | 147 0182 590 | 1 | CABLE REW EXTREME CH | L=8,5 M | 7319519660 |
| 2 | 147 1144 000 | 1 | SUPPORT BOX EXTREME | | 7319519659 |
| 2 | 147 1145 000 | 1 | SUPPORT WHEEL BOX EXTREME | | 7319519659 |
| 2 | 147 1146 000 | 1 | TOP TRAY BOX EXTREME | | 7319519659 |
| 2 | 147 1147 000 | 1 | CARTON EMBALLAGE EXTREME | | 7319519659 |
| 2 | 147 1147 020 | 1 | BOX ECO | | 7319519673 |
| 3 | 147 0553 520 | 1 | CUT THROUGH MODEL EXTREME X200 | | 7319519659 |
| 4 | 147 0578 520 | 1 | BOX LABEL X100 | | 7319519670 |
| 4 | 147 0578 530 | 1 | BOX LABEL X110 | | 7319519670 |
| 4 | 147 0578 550 | 1 | BOX LABEL X200 | | 7319519670 |
| 4 | 147 0578 590 | 1 | BOX LABEL X210 | | 7319519670 |
| 4 | 147 0578 620 | 1 | BOX LABEL X100 WITH BONUS NOZZ | | 7319519670 |
| 4 | 147 0578 630 | 1 | BOX LABEL X150XL | | 7319519670 |
| 4 | 147 0578 650 | 1 | BOX LABEL X300 | | 7319519670 |
| 4 | 147 0578 660 | 1 | BOX LABEL X300C | | 7319519670 |
| 4 | 147 0578 670 | 1 | BOX LABEL X150 | | 7319519670 |
| 4 | 147 0578 680 | 1 | ETIQUETTE X150 PARQUET | | 7319519670 |
| 4 | 147 0578 690 | 1 | BOX LABEL X150 SPIRIT | | 7319519670 |
| 4 | 147 0578 | 1 | BOX LABEL EXTREME ECO | ECO | 7319519673 |

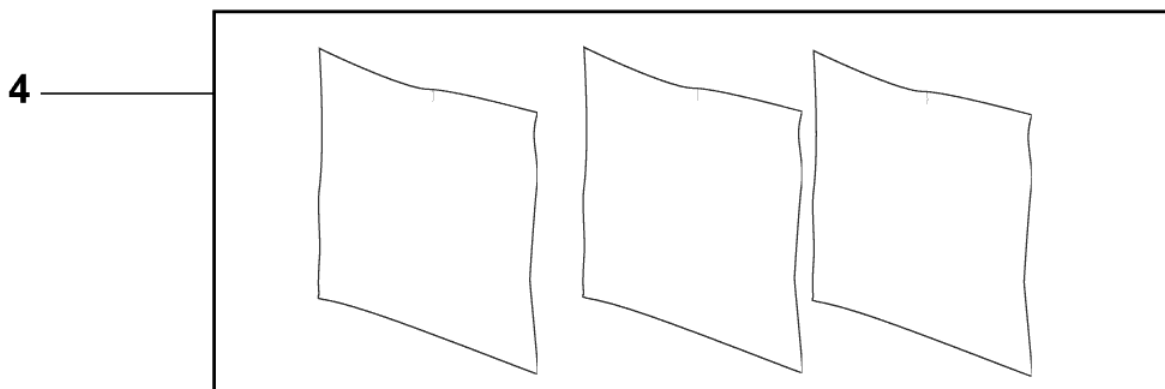
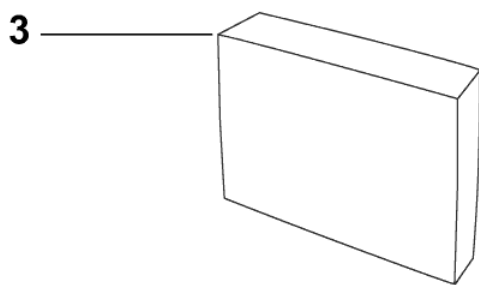
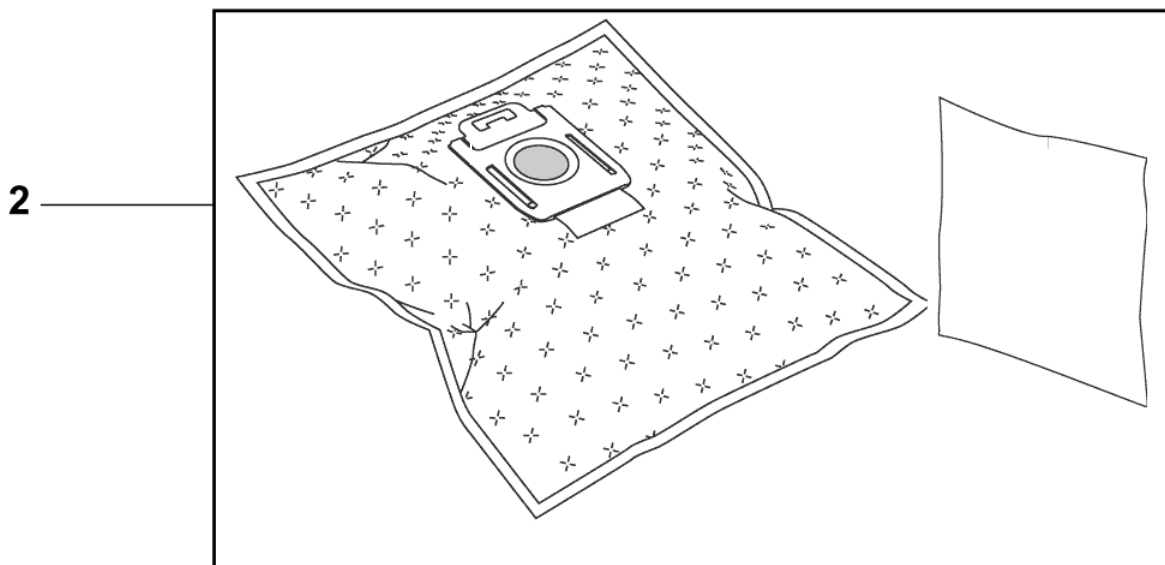
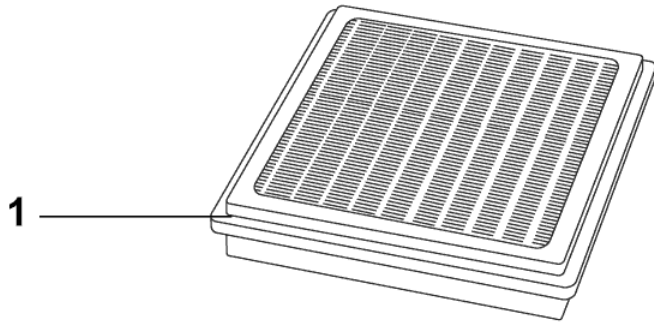
Dust bags and filters

Nilfisk Extreme

16-02-2011

ID Liste de pièces
A5639

10



Dust bags and filters

Nilfisk Extreme

16-02-2011

ID Liste de pièces
A5639

11

| Pos | Réf. Pièce | Qté | Description | EAN |
|-----|--------------|-----|---|------------|
| 1 | 147 0180 500 | 1 | FILTRE HEPA H 14 | 7319519645 |
| 2 | 147 0286 500 | 1 | LOT 4 SACS HYGIENE EXTREM 4 Dust bags and 1 pre filter | 7319519645 |
| 3 | 147 0159 500 | 1 | FILTRE CHARBON ACTIF | 7319519647 |
| 4 | 147 0157 500 | 1 | PRE FILTRE EXTREME 3 PCS | 7319519647 |

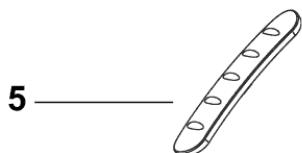
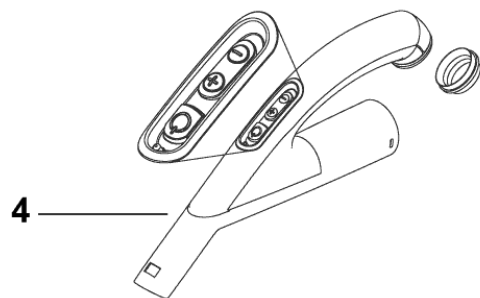
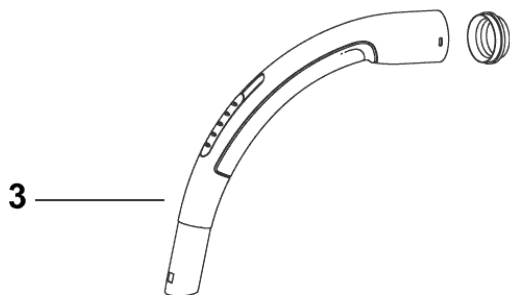
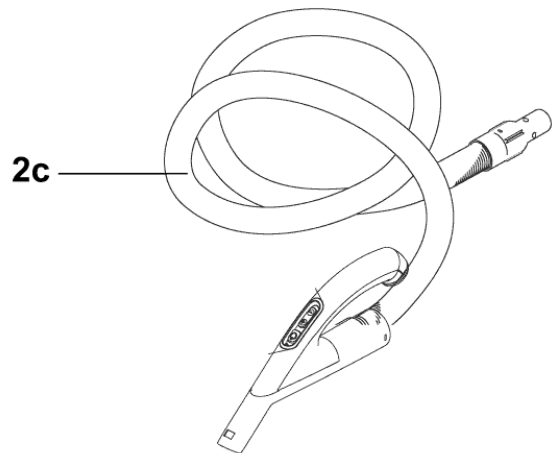
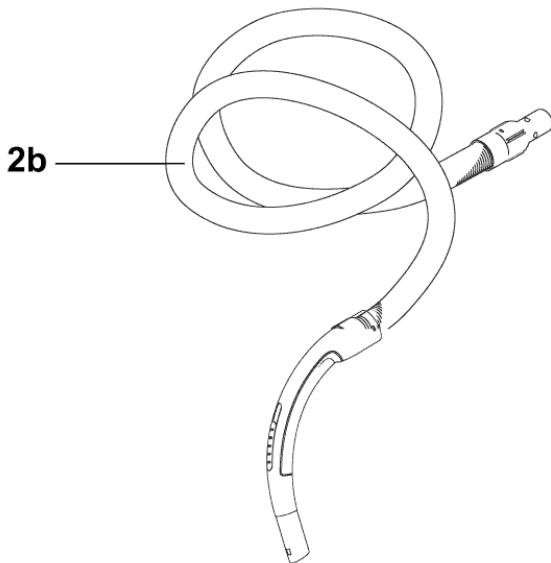
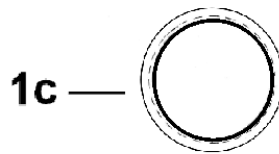
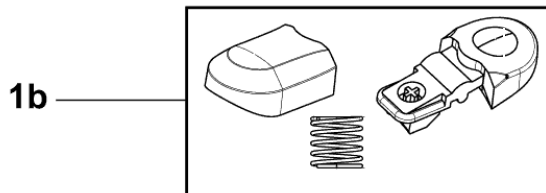
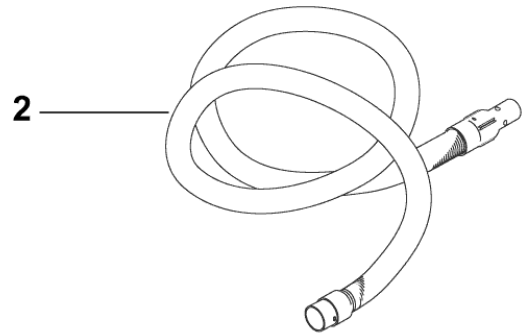
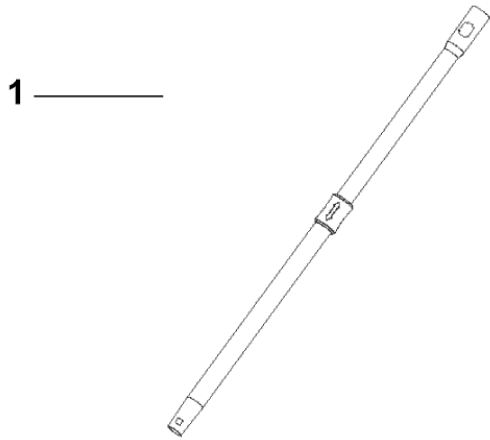
Hoses, connections and tubes

Nilfisk Extreme

16-02-2011

ID Liste de pièces
A56311

12



Hoses, connections and tubes

Nilfisk Extreme

16-02-2011

ID Liste de pièces
A56311

13

| Pos | Réf. Pièce | Qté | Description | EAN |
|-----|--------------|-----|---------------------------------------|------------|
| 1 | 147 0284 500 | 1 | TUBE TELESCOP D 32 1045MM | 7319519647 |
| 1 | 147 0284 510 | 1 | TUBE TELESCOPIQUE ALU | 7319519647 |
| 2 | 147 0285 500 | 1 | FLEXIBLE SANS TC EXTREME | 7319519647 |
| 3 | 147 0243 520 | 1 | TUBE COURBE STD | 7319519659 |
| 4 | 147 0123 530 | 1 | POIGNEE CPLTE PREMIUM D.32 | 7319519671 |
| 5 | 147 0152 500 | 1 | OBSTURATEUR AIR TUBE | 7319519647 |
| 1B | 147 0265 500 | 1 | KIT BOUTON POUSSOIR | 7319519659 |
| 1C | 010 9299 540 | 1 | JOINT COMPLET | 7319519666 |
| 2B | 147 0283 500 | 1 | FLEXIBLE COMPLET AVEC TC | 7319519659 |
| 2C | 147 0577 510 | 1 | FLEXIBLE CPLT CDE RCC POIGNEE EXTREME | 7319519671 |

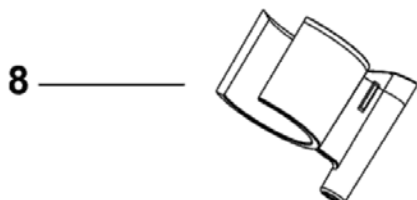
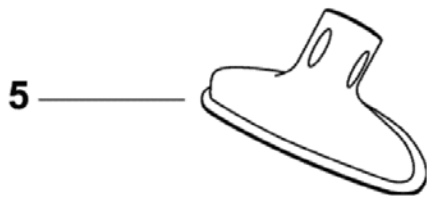
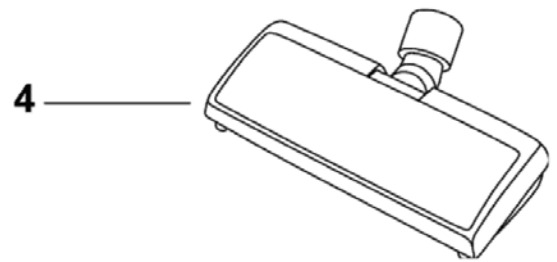
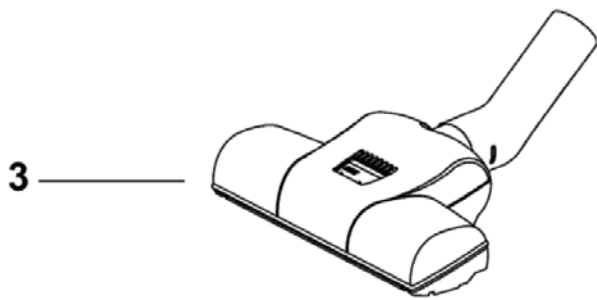
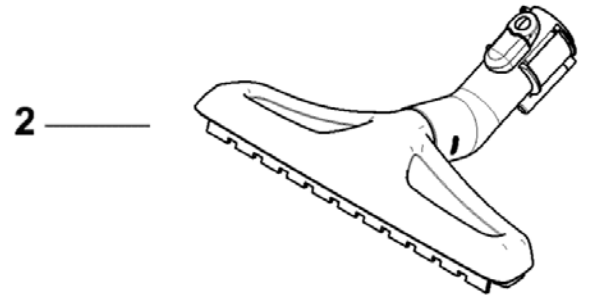
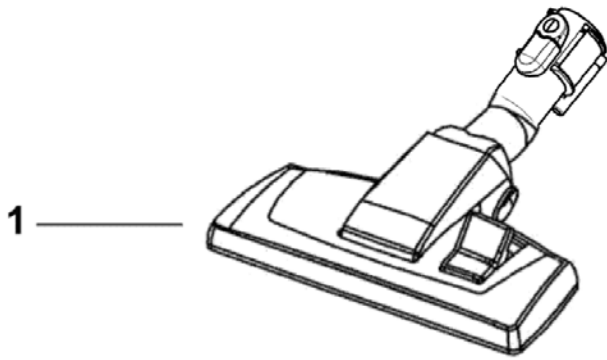
BUSES

Nilfisk Extreme

16-02-2011

ID Liste de pièces
A56313

14



BUSES

Nilfisk Extreme

16-02-2011

ID Liste de pièces
A56313

15

| Pos | Réf. Pièce | Qté | Description | EAN |
|-----|--------------|-----|-------------------------------------|---------------------|
| 1 | 140 8492 550 | 1 | BROSSE COMBINEE LUXE | 7319519666 |
| 2 | 147 0247 500 | 1 | BROSSE SOLS DURS CLIP DE | 7319519647 |
| 3 | 22360000 | 1 | BROSSE TURBO NOIRE | 5715492010 |
| 4 | 12010100 | 1 | ELECTROBROSSE 280MM D 32 | 5715492003 |
| 5 | 147 0299 500 | 1 | EMBOUT VENTOUSE | 7319519647 |
| 6 | 147 0300 500 | 1 | BROSSE TRIANGUL EXTREME | 7319519647 |
| 7 | 147 0146 500 | 1 | SUCEUR CAOUT BISEAUTE D32 | 7319519647 |
| 8 | 12018201 | 1 | ATTACHE PARKING EMBOUCH | grey 5715492003 |
| 8 | 147 0585 500 | 1 | CLIP PARKING POUR EMBOUCHURE D.32MM | black 7319519648 |