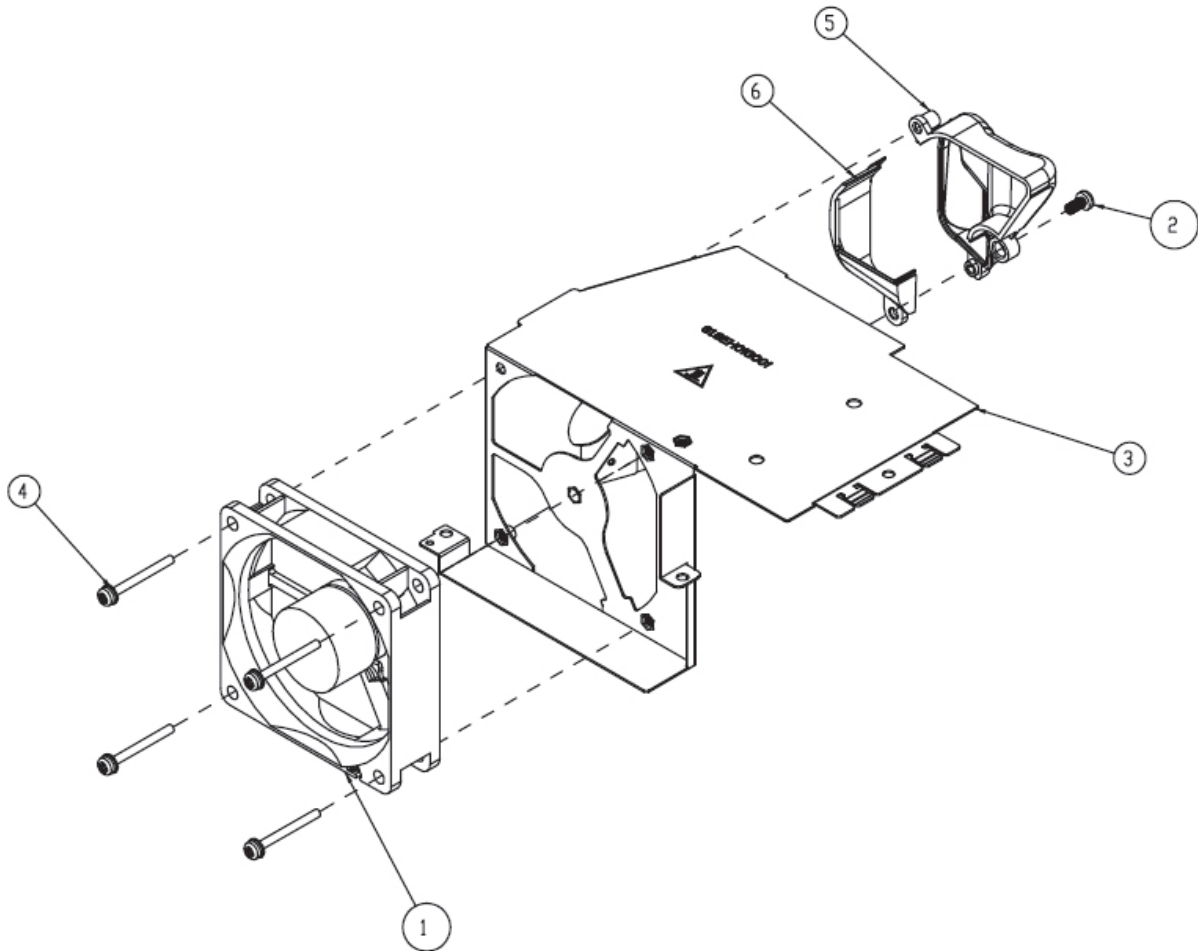
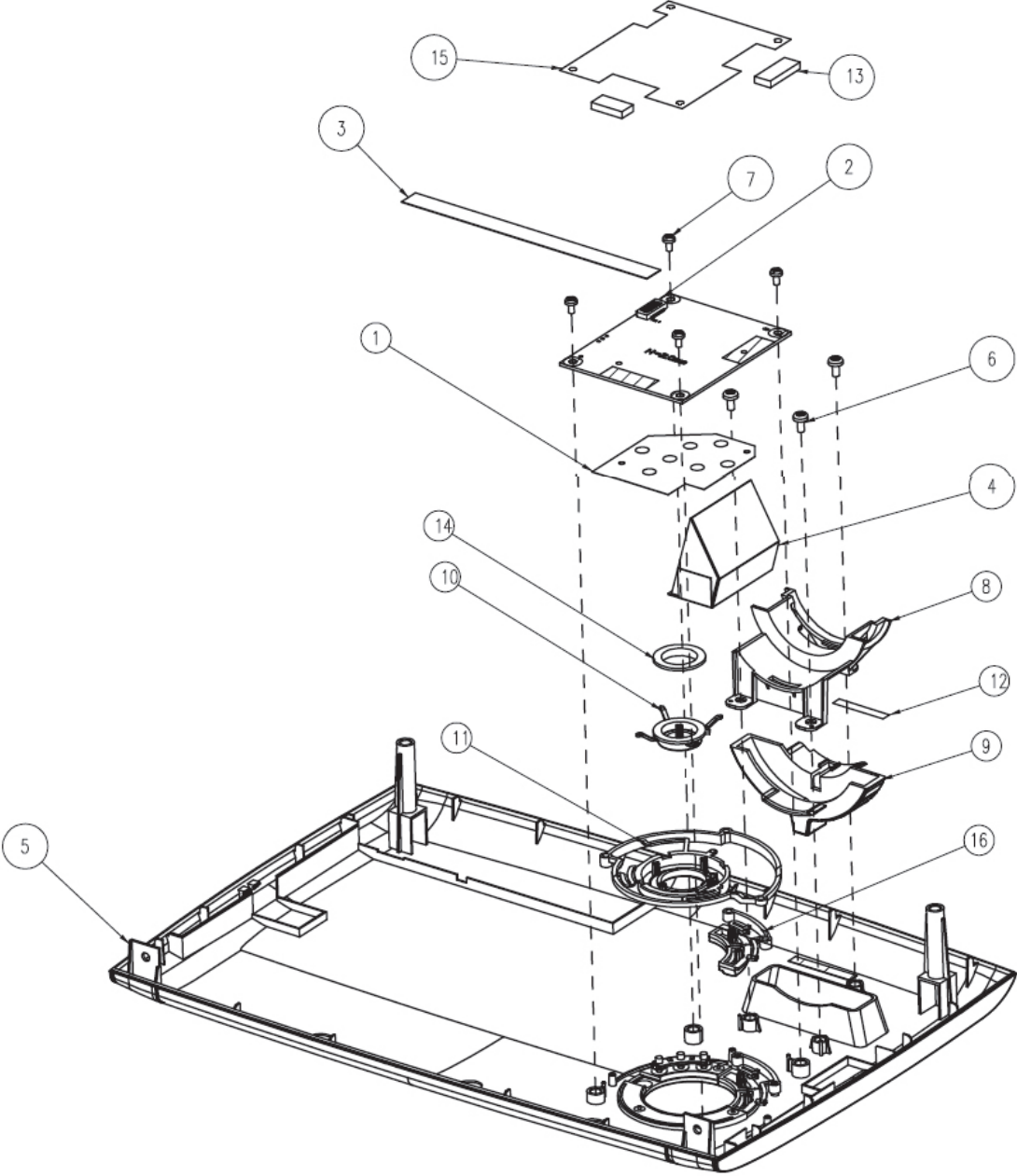


ASSY FAN SHIELDING MODULE

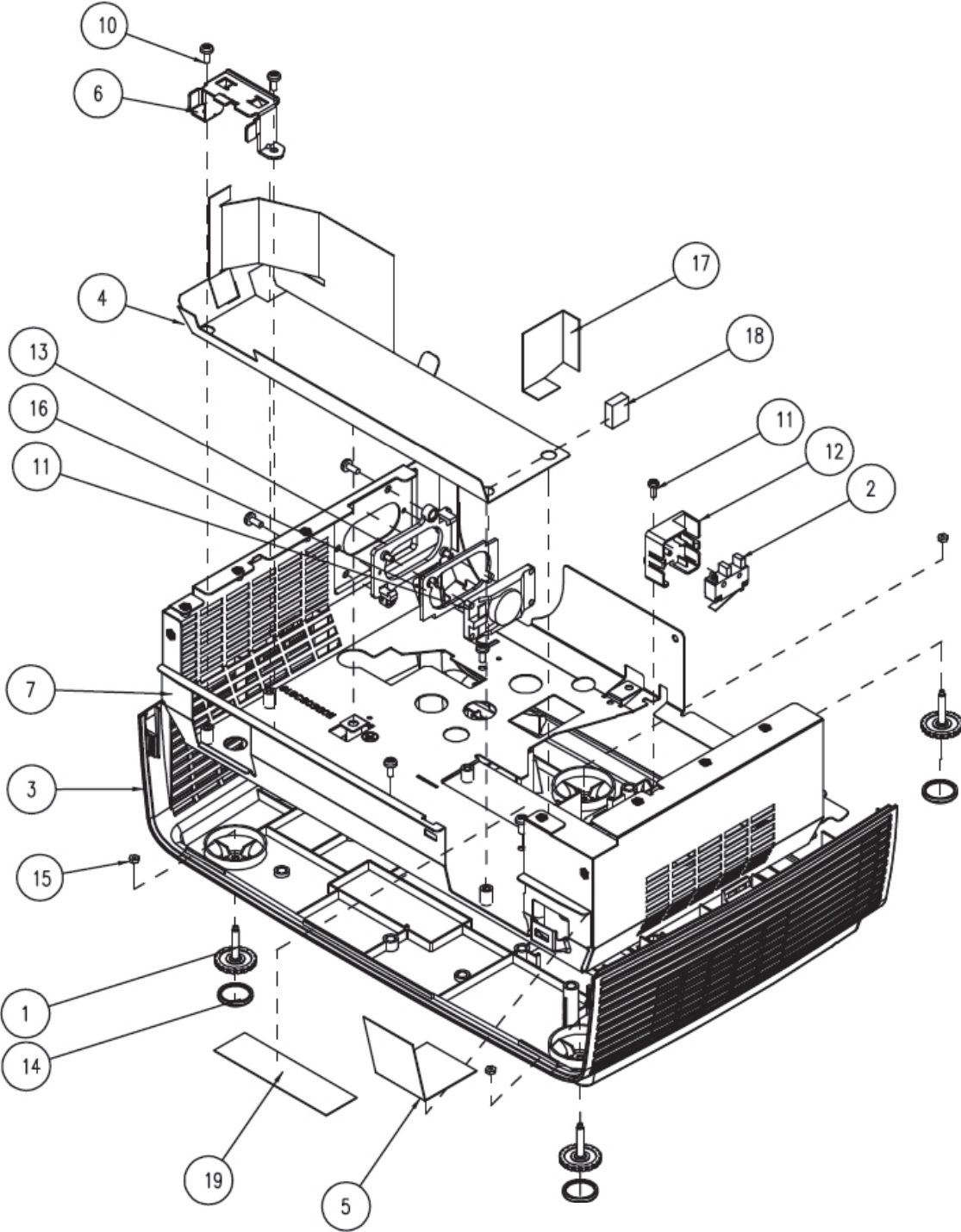


| Item | P/N | Description | Parts Supply |
|------|--------------|--|--------------|
| 1 | 49.8CP02G002 | SUNON 70*70*20mm AXIAL FAN, KDE1207PKV1. MS.B3001.AF.GN, SHRINK TUBE | V |
| 2 | 85.1A123G060 | SCREW PAN MECH M3*6 NI | |
| 3 | 61.8EH01G001 | SCREW PAN MECH M3*6 NI | |
| 4 | 85.1F123G260 | SCREW PAN MECH E/SF M3*26 NI | |
| 5 | 61.8EH03G001 | ONE FAN DUCT AL ALLOY ES526 | |
| 6 | 51.8EH08G001 | ONE FAN DUCT CAP PPS+GF40% ES526 | |

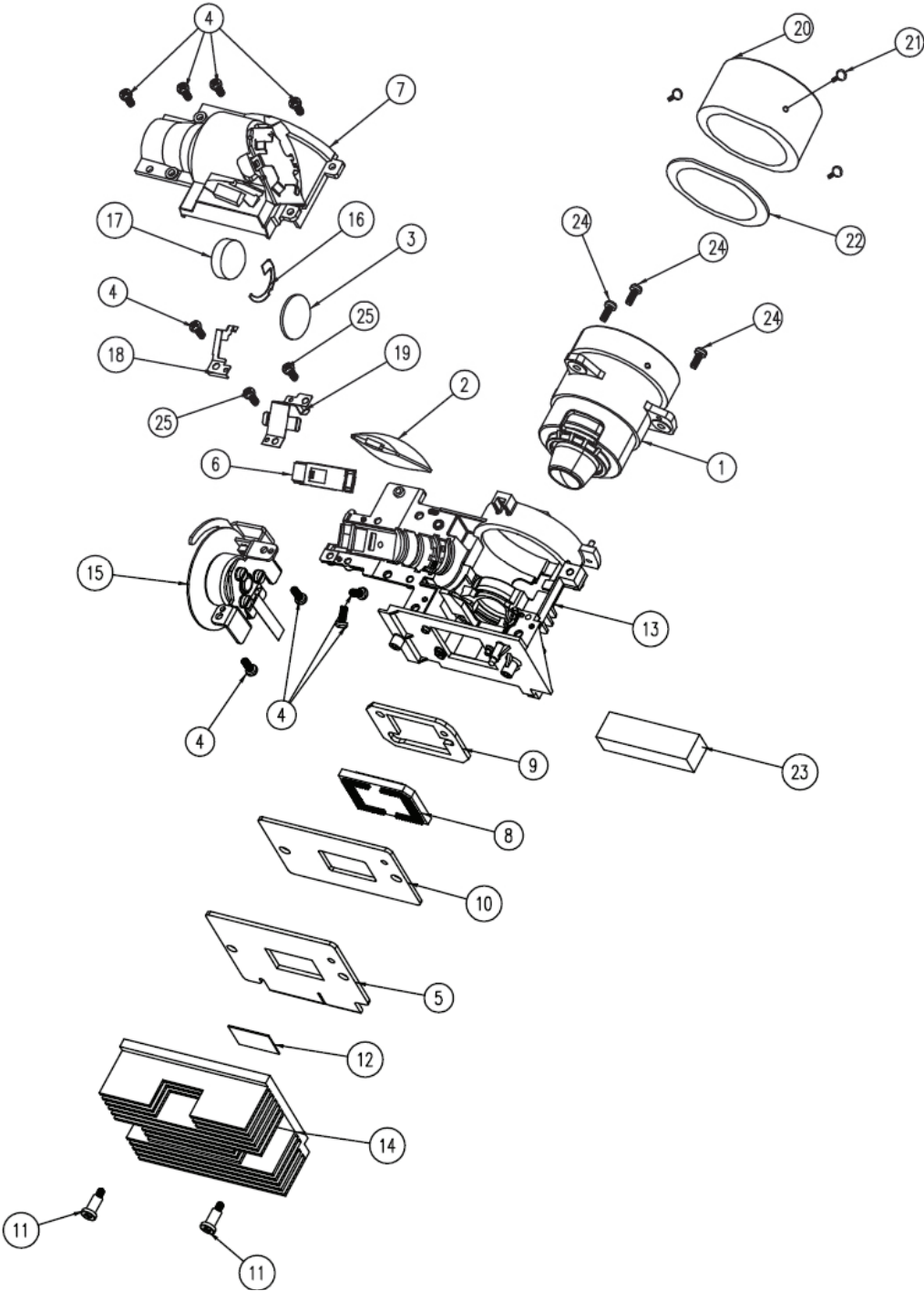
ASSY TOP COVER MODULE



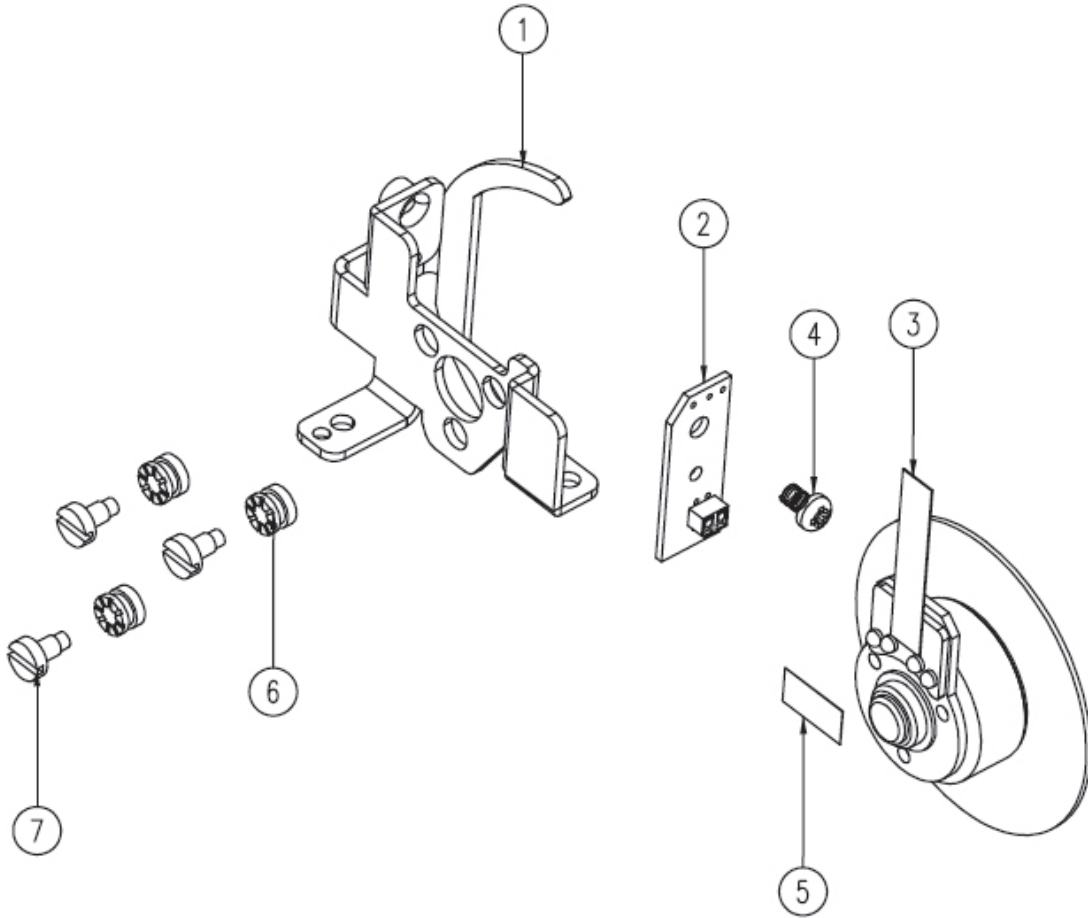
ASSY BOTTOM COVER MODULE



ASSY ENGINE MODULE



ASSY COLOR WHEEL MODULE Z15



| Item | P/N | Description | Parts Supply |
|------|--------------|--|--------------|
| | 70.8GY02GR01 | ASSY COLOR WHEEL MODULE FOR HD67 (SERVICE) | V |
| 1 | 61.8CP03G001 | CW BRACKET SECC X1161 | |
| 2 | 80.8EG04G002 | PCBA PHOTO SENSOR BOARD FOR HD20 | |
| 3 | 23.8GY19G011 | YO CW R100C23B72G90M30Y45_URD20VA MOTOR | |
| 4 | 85.1A126G040 | SCREW PAN MECH M2.6*4 Ni | |
| 5 | 51.82Y29G001 | TAPE 3M J350 10*5mm FOR COLOR WHEEL DP715 | |
| 6 | 52.83615G011 | COLOR WHEEL DISC RUBBER 3.8MM CPC | |
| 7 | 61.83628G001 | COLOR WHEEL SHOULDER SCREW, EzPro755 | |

A.K.

