
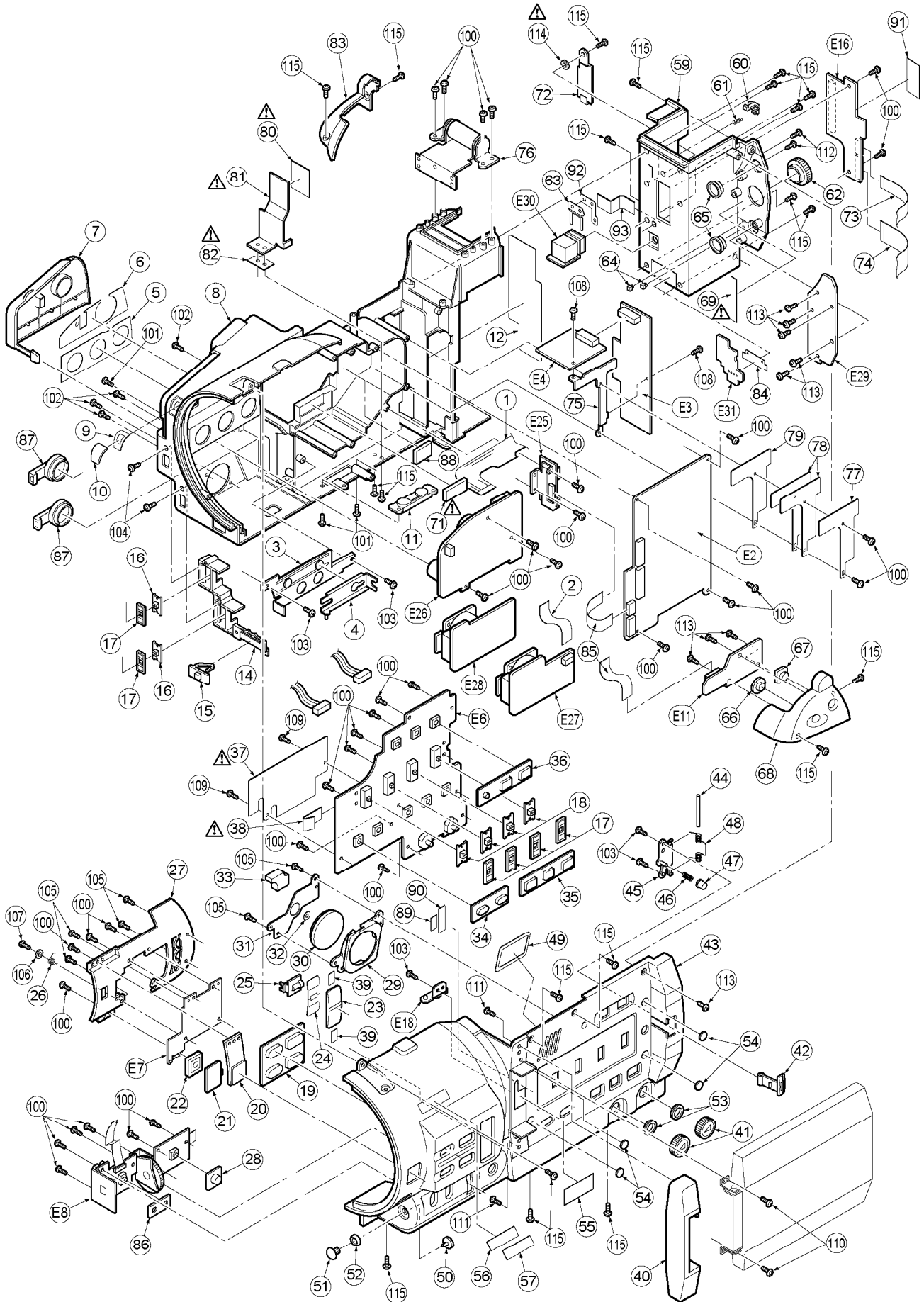
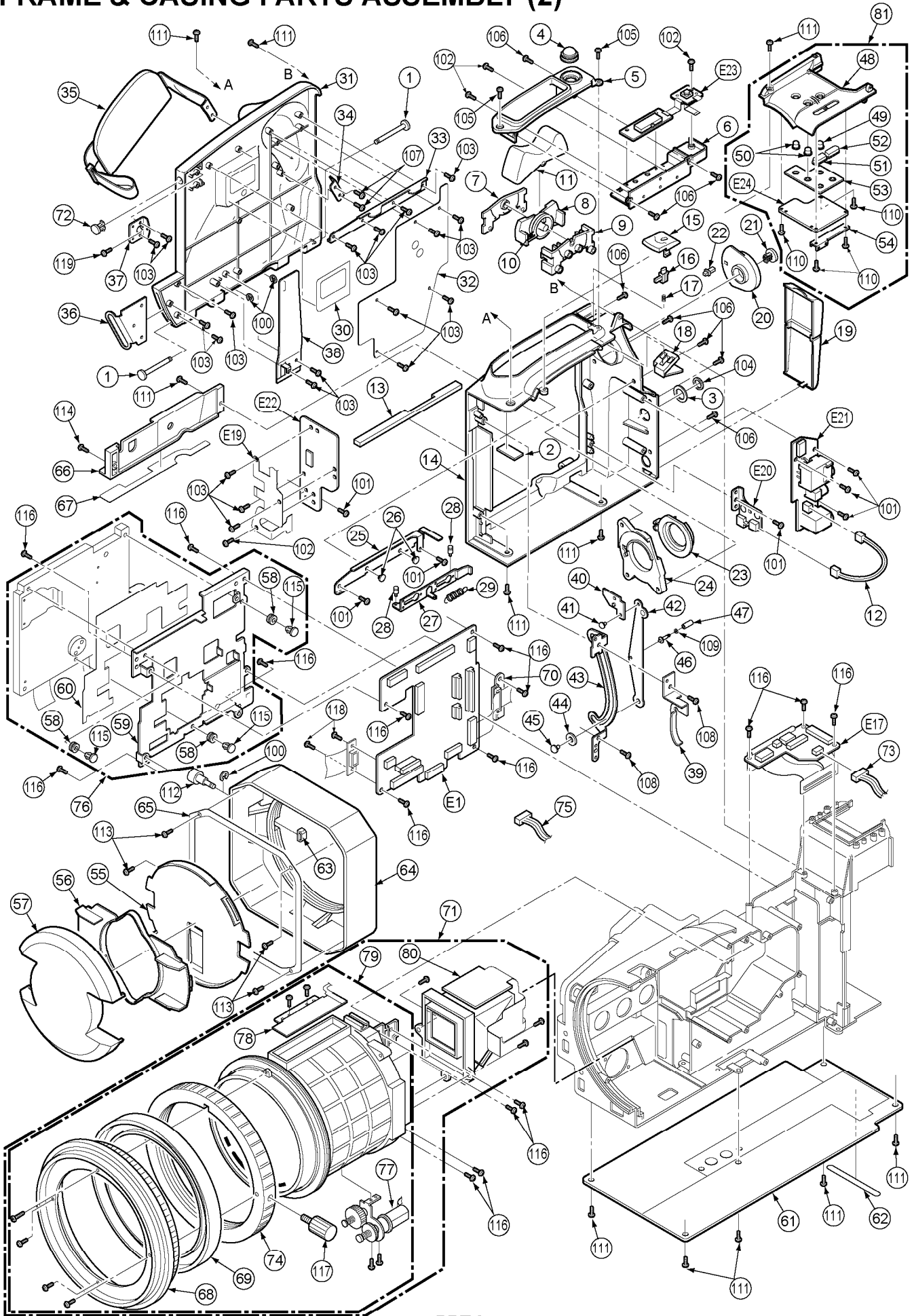


FRAME & CASING PARTS ASSEMBLY (1)

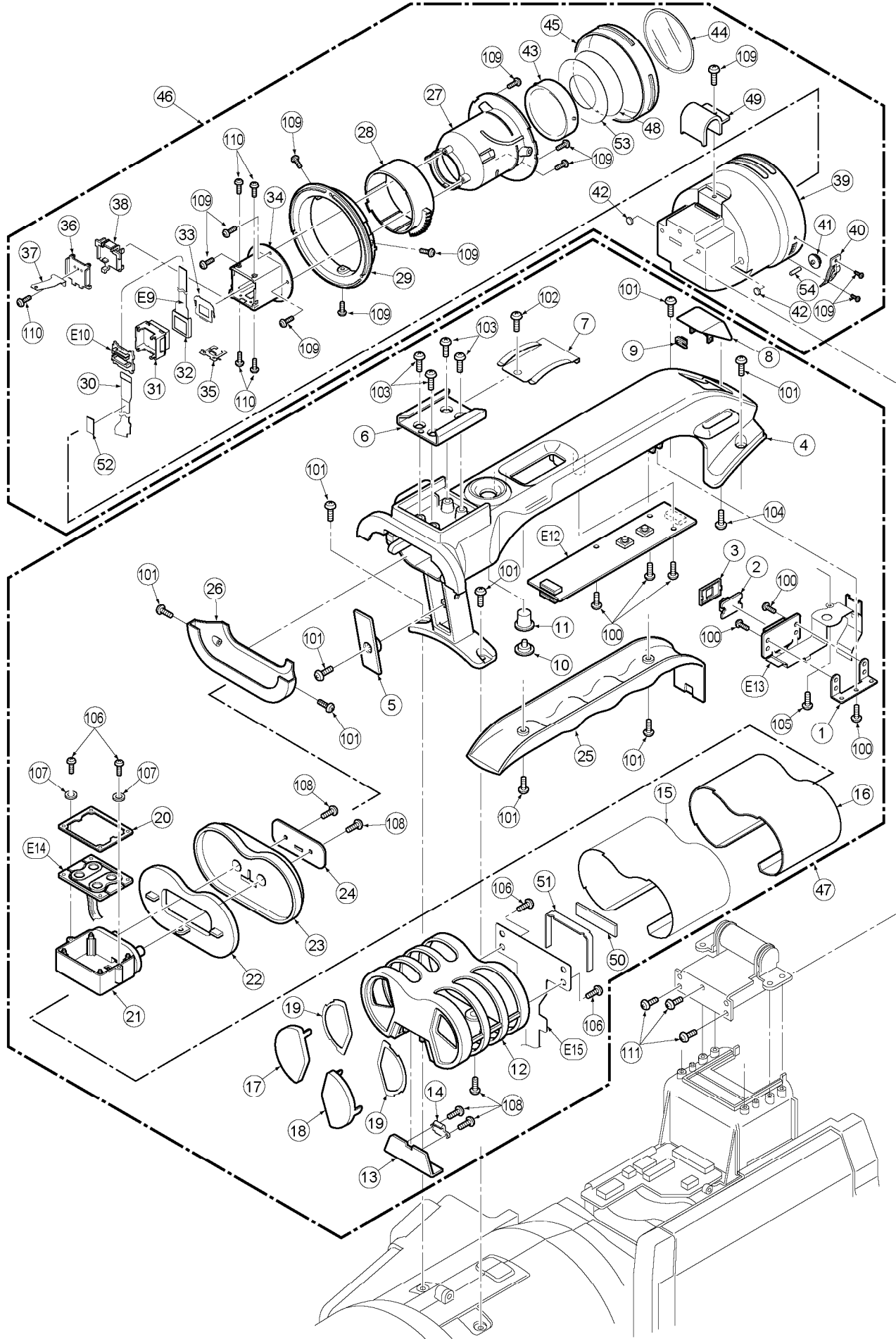
Components identified with the mark  have the special characteristics for safety. When replacing any of these components, use only the same type.



FRAME & CASING PARTS ASSEMBLY (2)



HANDLE & EVF PARTS ASSEMBLY



PRT-10

LCD PARTS ASSEMBLY

