

Service Manual

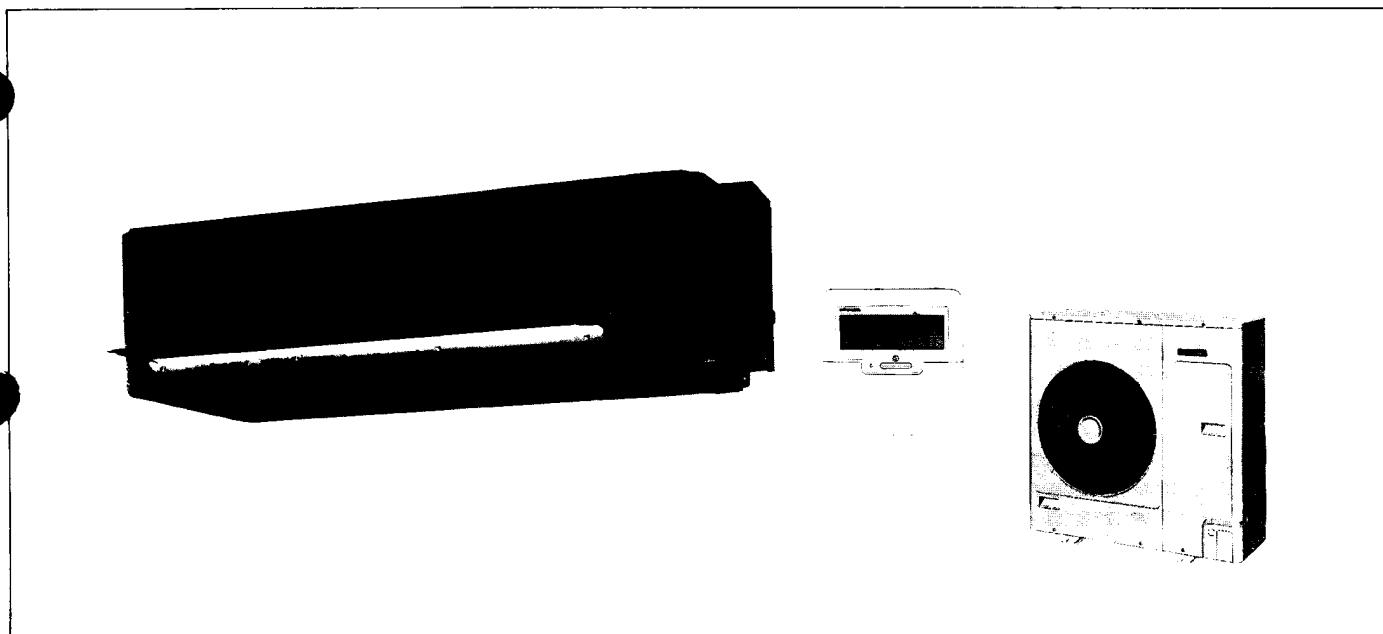
PACKAGED AIR CONDITIONER
HIDE AWAY TYPE

■ HEAT PUMP MODEL

CS-71E95JP(CU-71C52HP)	CS-112E95JP(CU-112C52XP)
CS-71E95JP(CU-71C52XP)	CS-140E95JP(CU-140C53XP)
CS-80E95JP(CU-80C52HP)	CS-160E95JP(CU-160C53XP)
CS-80E95JP(CU-80C52XP)	

■ COOLING ONLY MODEL

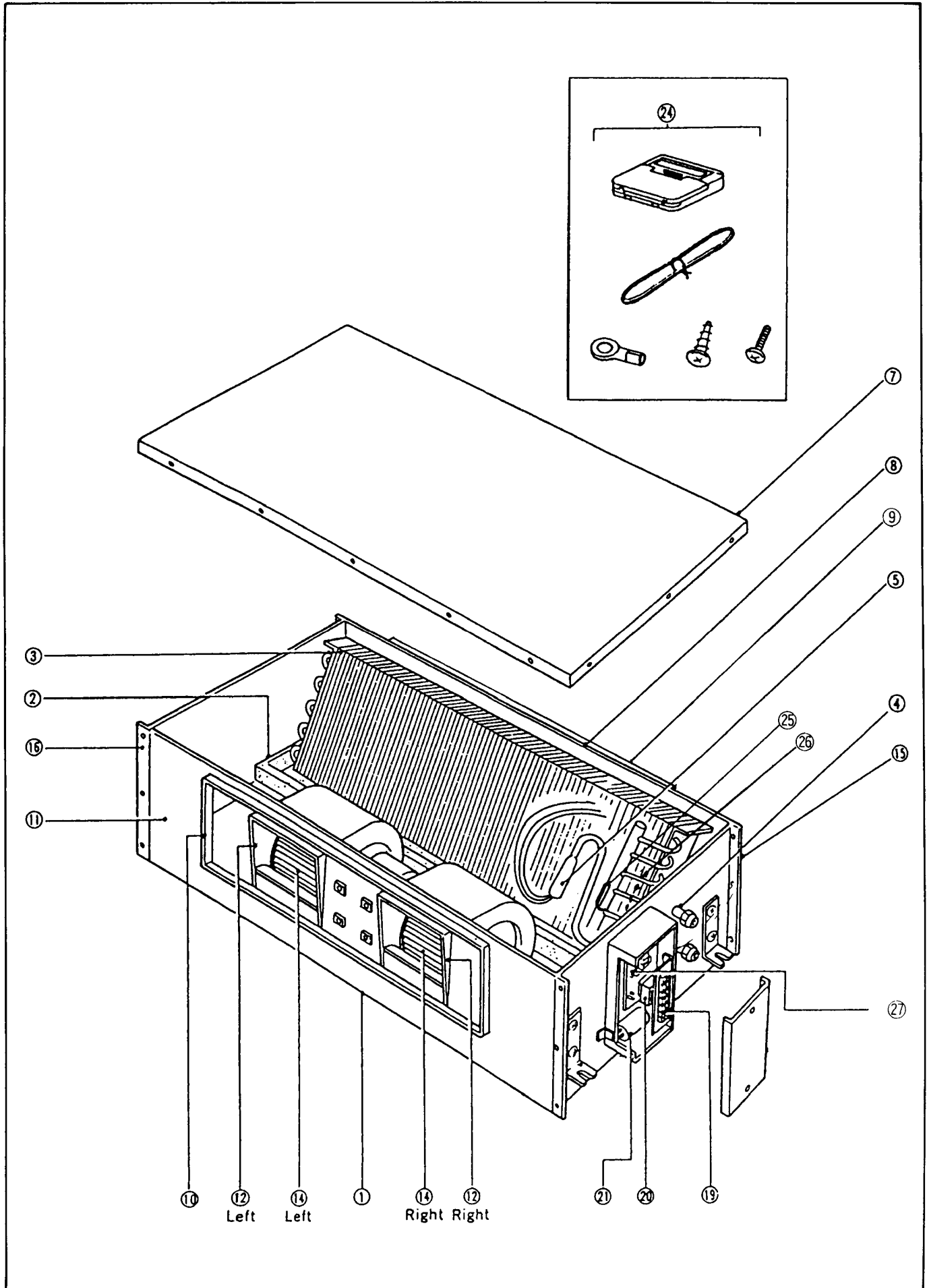
CS-71E95JP(CU-71C02HP)	CS-112E95JP(CU-112C02XP)
CS-71E95JP(CU-71C02XP)	CS-140E95JP(CU-140C03XP)
CS-80E95JP(CU-80C02HP)	CS-160E95JP(CU-160C03XP)
CS-80E95JP(CU-80C02XP)	



Panasonic Service STWin

29. REPLACEMENT PARTS

CS-71E95JP, CS-80E95JP, CS-112E95JP, CS-140E95JP, CS-160E95JP



Panasonic Service STWin

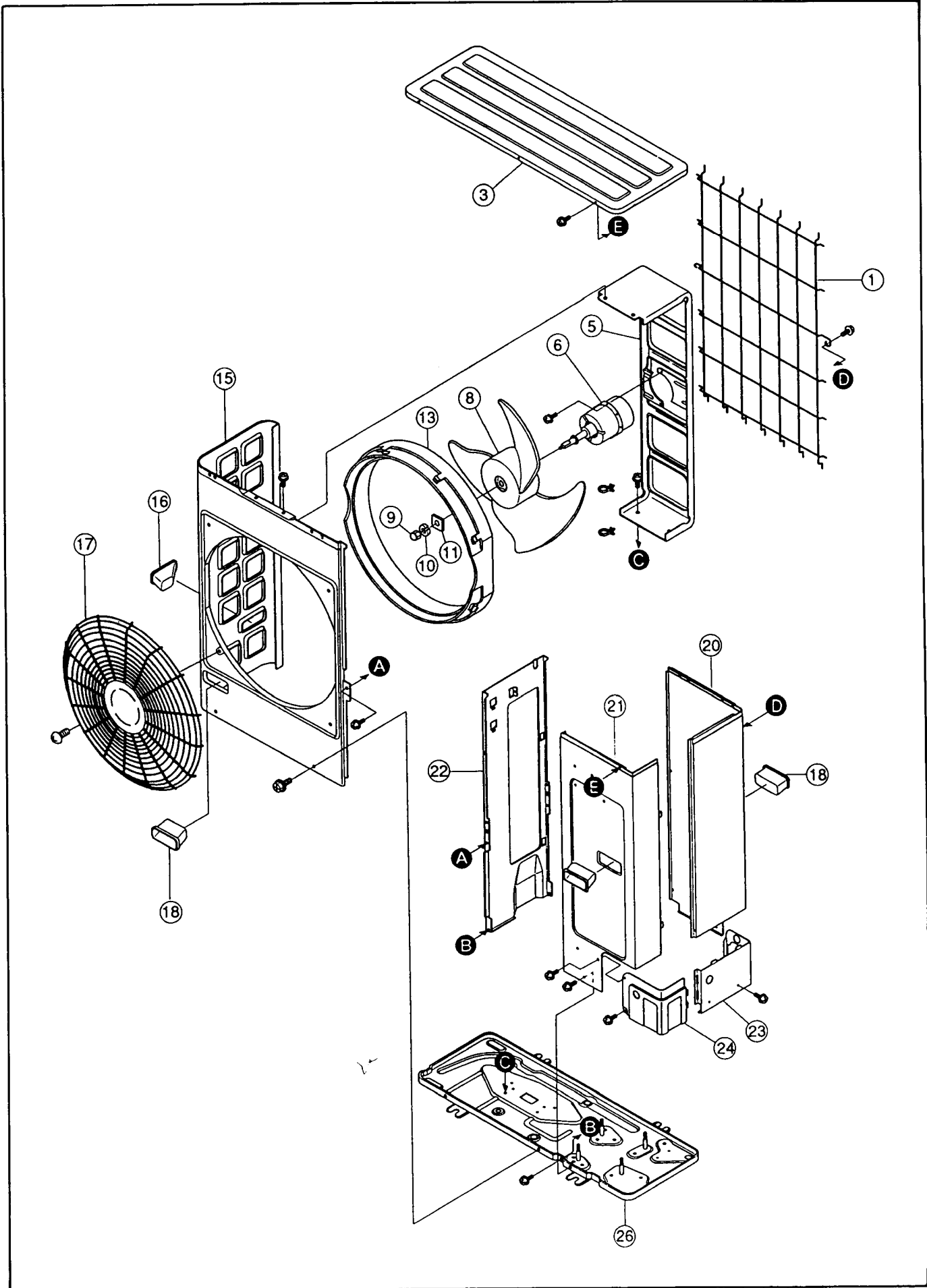
29. REPLACEMENT PARTS

REF.NO.	PARTS NAME		PARTS NUMBER CNR	QUANTITY PER 1 UNIT					※REC PARTS
				71E95JP	80E95JP	112E95JP	140E95JP	160E95JP	
1	Cabinet(Bottom)		P42-T02360	1	1	—	—	—	
			P42-T02170	—	—	1	1	1	
2	Drain pan		P42-T02370	1	1	—	—	—	
			P42-T02700	—	—	1	1	1	
3	Evaporator		P05-T09140	1	1	—	—	—	
			P05-T09990	—	—	1	—	—	
			P05-T08200	—	—	—	1	—	
			P05-T08470	—	—	—	—	1	
4	Union	5/8	P45-T01680	1	1	—	—	—	
		3/4	P05-T02460	—	—	1	1	1	
		3/8	P45-T01470	—	1	1	1	1	
		1/4	P45-T04660	1	—	—	—	—	
5	Distributor As.		P45-T04670	1	—	—	—	—	
			P45-T04510	—	1	—	—	—	
			P45-T04940	—	—	1	—	—	
			P45-T04680	—	—	—	1	—	
			P45-T04690	—	—	—	—	1	
7	Cabinet(Top)		P02-T05180	1	1	—	—	—	
			P02-T04270	—	—	1	1	1	
8	Cabinet(Back)		P42-T02400	1	1	—	—	—	
			P42-T02160	—	—	1	1	1	
9	Duct flange(Inler)		P42-T02380	1	1	—	—	—	
			P42-T02150	—	—	1	1	1	
10	Duct flange(Outlet)		P42-T02390	1	1	—	—	—	
			P42-T02150	—	—	1	1	1	
11	Fan base		P45-T04490	1	1	—	—	—	
			P45-T04270	—	—	1	1	1	
12	Casing		P05-T09410	2	2	—	—	—	
			P05-T08290	—	—	2	2	2	
13	Fan motor	AC150W	P06-T03240	1	—	—	—	—	※
		AC250W	P06-T03250	—	—	1	—	—	※
		AC350W	P06-T03260	—	—	—	1	—	※
		AC450W	P06-T03270	—	—	—	—	1	※
14	Impeller(R)		P05-T09490	1	1	—	—	—	
	Impeller(L)		P05-T09400	1	1	—	—	—	
	Impeller		P05-T08320	—	—	2	2	2	
15	Cabinet(R)		P42-T02350	1	1	—	—	—	
			P42-T02190	—	—	1	1	1	
16	Cabinet(L)		P42-T02340	1	1	—	—	—	
			P42-T02200	—	—	1	1	1	
19	Terminal board	10P	P06-T03350	1	1	1	1	1	
20	Transformer		06-856320	1	1	1	1	1	※
21	Capacitor		P06-T02890	1	1	—	—	—	※
			P06-T02680	—	—	1	—	—	※
			P06-T02840	—	—	—	1	—	※
			P06-T02670	—	—	—	—	1	※
24	Remote controller	P	06-856300	1	1	1	1	1	※
25	Coil sensor		06-853760	1	1	1	1	1	※
26	Air temperature sensor		06-854510	1	1	1	1	1	
27	Printed circuit board		46-938070	1	1	1	1	1	

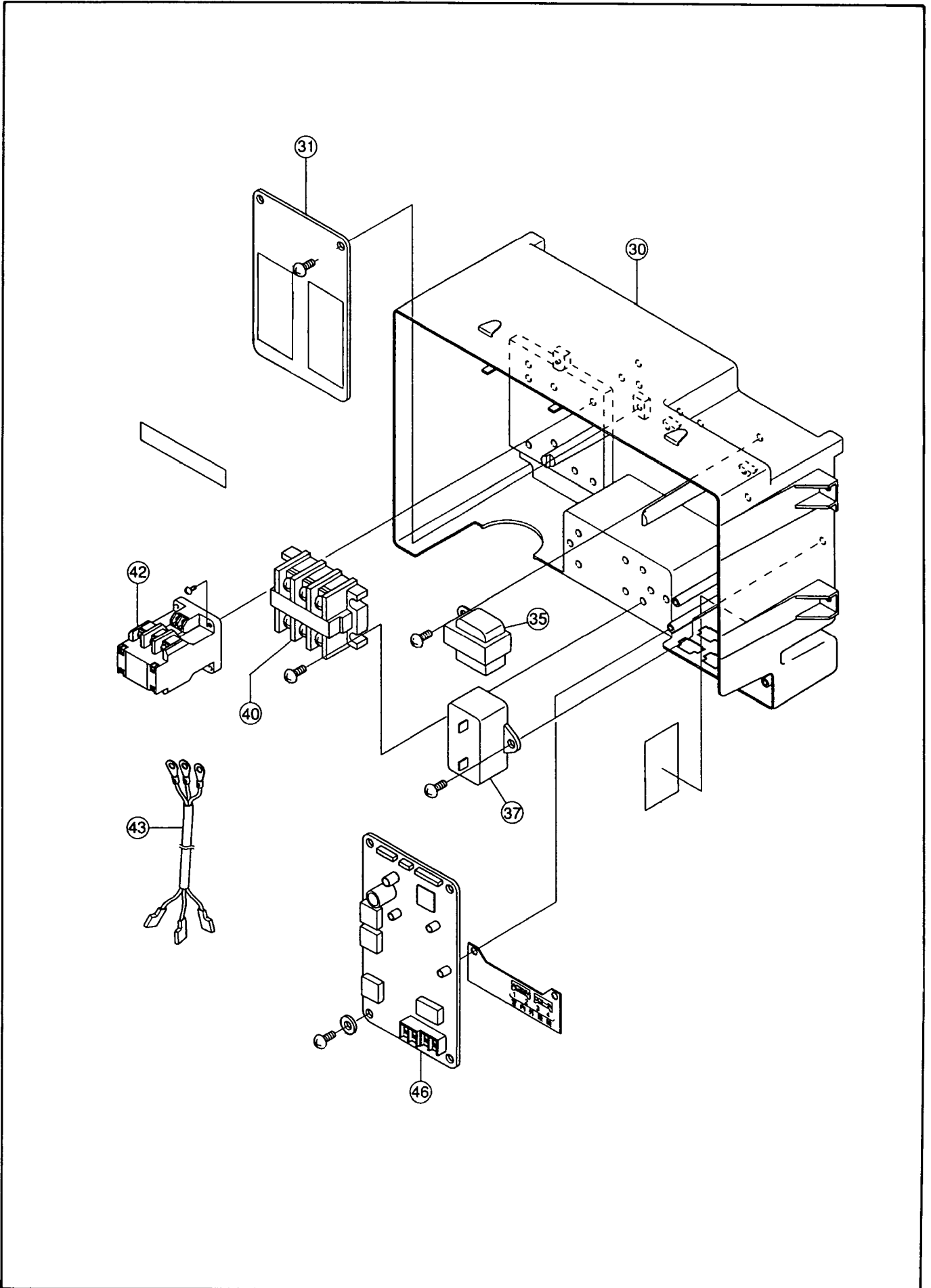
Panasonic Service STWin

29. REPLACEMENT PARTS

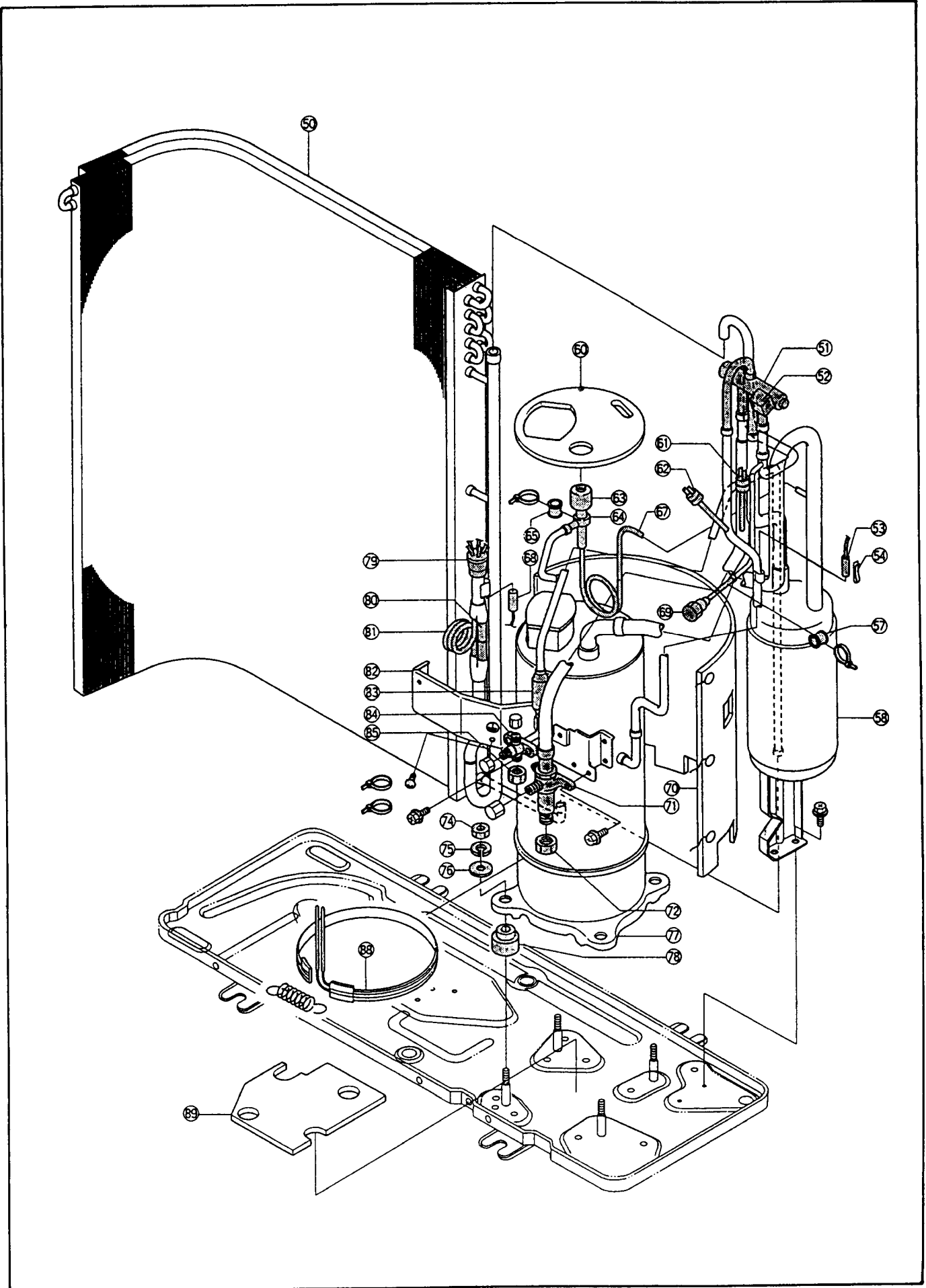
CU-71C52HP, CU-71C52XP, CU-80C52HP, CU-80C52XP



CU-71C52HP, CU-71C52XP, CU-80C52HP, CU-80C52XP



CU-71C52HP, CU-71C52XP, CU-80C52HP, CU-80C52XP (Heat pump model)



Panasonic Service STWin
29. REPLACEMENT PARTS < OUTDOOR UNIT >

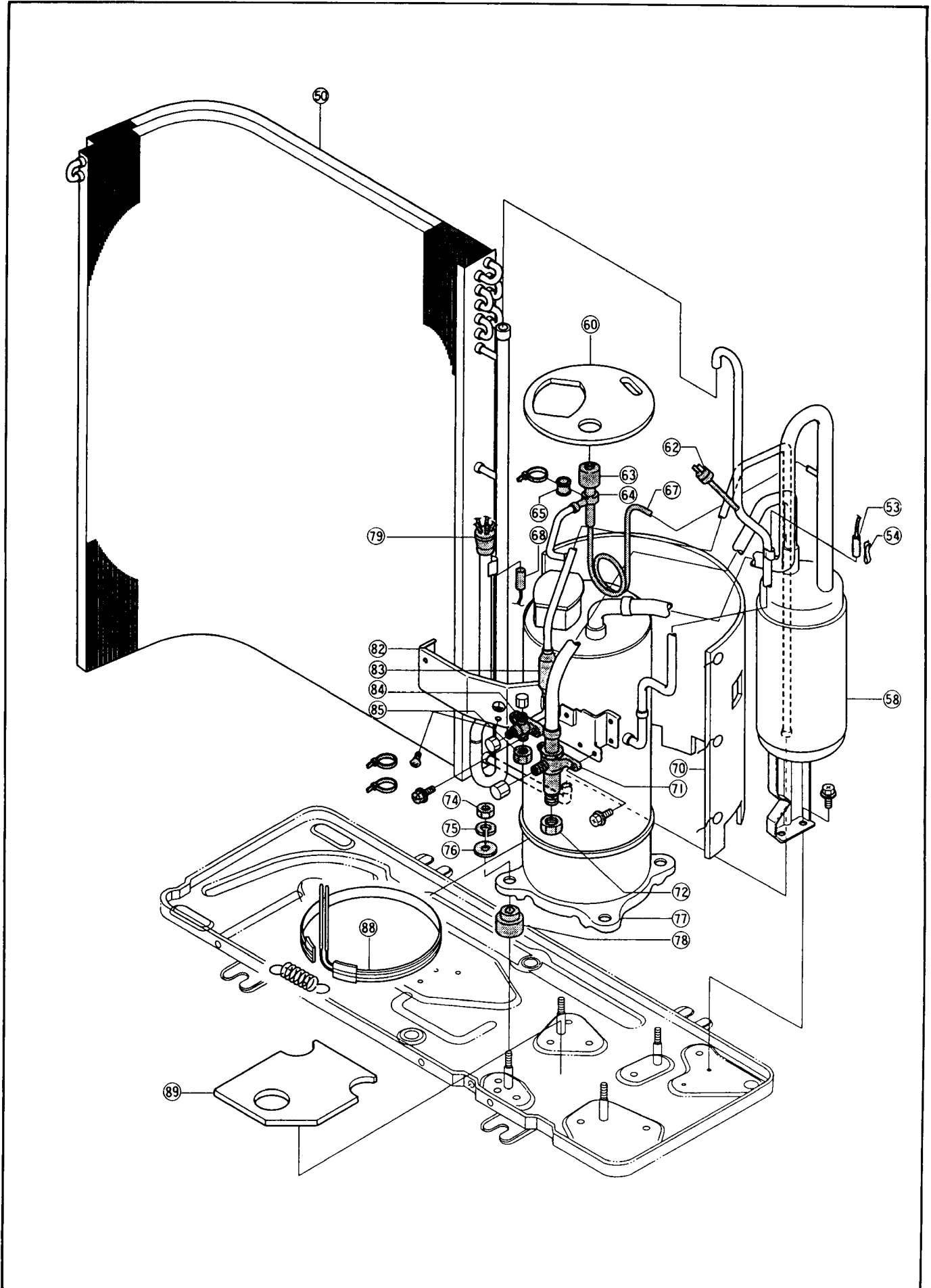
Heat pump model

REF.NO.	PARTS NAME	PARTS NUMBER CNR	QUANTITY PER 1 UNIT				*REC PARTS
			71C52HP	71C52XP	80C52HP	80C52XP	
1	Condenser guard	02-879330	1	1	1	1	
3	Top plate As	02-879340	1	1	1	1	
5	Motor stay	02-879300	1	1	1	1	
6	Fan motor	06-855620	1	1	1	1	*
8	Prop fan	05-864390	1	1	1	1	
9	10 Nut	08-405150	1	1	1	1	
10	10 Sp washer	08-405160	1	1	1	1	
11	Washer for fan	05-962730	1	1	1	1	
13	Orifice ring	02-879410	1	1	1	1	
15	Orifice plate	02-879320	1	1	1	1	
16	Hanger shell(B)	02-879430	1	1	1	1	
17	Fan guard	42-574190	1	1	1	1	
18	Hanger shell(A)	02-879420	3	3	3	3	
20	Side panel	02-879350	1	1	1	1	
21	Front panel	02-879380	1	1	1	1	
22	Seal plate	02-879310	1	1	1	1	
23	Pipe cover B	02-879370	1	1	1	1	
24	Pipe cover F	02-879360	1	1	1	1	
26	Unit base As	42-573150	1	1	1	1	
30	Control box	06-852690	1	1	1	1	
31	CT board	06-855400	-	1	-	1	*
		06-854280	1	-	1	-	
35	Transformer	06-855430	1	1	1	1	*
37	Electric capacity for fan motor	06-833100	1	1	1	1	*
37	Electric capacity for compressor	06-855440	1	-	-	-	*
		06-855450	-	-	1	-	*
40	Terminal(3P)	06-803020	1	-	1	-	
40	Terminal	06-855360	-	1	-	1	
42	Compressor relay	06-844690	1	-	1	-	*
		06-845730	-	1	-	1	*
43	Compressor cord As	46-936440	1	-	1	-	
		46-931300	-	1	-	1	
46	Printed circuit board	46-935860	1	-	-	-	*
		46-935870	-	1	-	-	*
		46-935880	-	-	1	-	*
		46-935890	-	-	-	1	*
50	Condenser&Distributer	45-905630	1	1	-	-	
		45-905640	-	-	1	1	
51	Reversing valve	05-401290	1	1	1	1	*
52	Reversing valve coil	06-855890	1	1	1	1	*
53	Piping thermistor(Discharge)	46-930790	1	1	1	1	*
54	Spring for sensor	05-840710	2	2	2	2	
57	Pipe clamp rubber(5/8)	05-867200	1	1	1	1	
58	Accumulator As	45-905670	1	1	-	-	
		45-905950	-	-	1	1	
60	Compressor cover top	05-867370	1	1	1	1	
61	Pressure switch(Heating)	06-826230	1	1	1	1	*
62	High pressure switch	06-830840	1	1	1	1	*
63	Electric magnetic valve coil	06-855910	1	1	1	1	*
64	Electric magnetic valve	05-809320	1	1	1	1	*
65	Pipe clamp rubber	05-493370	1	1	-	-	
		05-867130	1	1	-	-	
		05-867140	-	-	1	1	

Heat pump model

REF.NO.	PARTS NAME	PARTS NUMBER CNR	QUANTITY PER 1 UNIT				※REC PARTS
			71C52HP	71C52XP	80C52HP	80C52XP	
67	Capillary tube for valve	05-864480	1	1	-	-	
		05-864490	-	-	1	1	
68	Piping thermistor(Coil)	46-930800	1	1	1	1	※
69	Check joint	05-822330	1	1	1	1	
70	Compressor cover	05-867350	1	1	1	1	
71	Ball valve(5/8)	05-820630	1	1	1	1	
72	Flare nut(5/8)	38-890100	1	1	1	1	
74	8 Nut	38-817010	3	3	3	3	
75	8SP Washer	38-427080	3	3	3	3	
76	8 Washer	38-490740	3	3	3	3	
77	Compressor	05-983920	1	-	-	-	※
		05-983790	-	1	-	-	※
		05-802470	-	-	1	-	※
		05-978160	-	-	-	1	※
78	Mount rubber	05-867570	4	4	4	4	
79	Distributor	05-864120	1	1	1	1	
79	Capillary tube	05-463000	5	5	5	5	
80	Check valve	05-478500	1	1	1	1	
81	Heating capillary tube	05-864180	1	1	-	-	
		05-864190	-	-	1	1	
82	Valve stay	02-881200	1	1	1	1	
83	Strainer	05-984840	1	1	-	-	
		05-815080	-	-	1	1	
84	Service valve (2/8)	05-864470	1	1	-	-	
	Service valve (3/8)	05-864350	-	-	1	1	
85	Flare nut(2/8)	38-890070	1	1	-	-	
	Flare nut(3/8)	38-890080	-	-	1	1	
88	Crankcase heater	06-855410	1	1	1	1	※
89	Base compressor cover	02-880780	1	1	1	1	
90	Drain elbo As	47-598250	1	1	1	1	

CU-71C02HP, CU-71C02XP, CU-80C02HP, CU-80C02XP (Cooling only model)



Panasonic Service STWin

29. REPLACEMENT PARTS

Cooling only model

REF.NO.	PARTS NAME	PARTS NUMBER CNR	QUANTITY PER 1 UNIT				*REC PARTS
			71C02HP	71C02XP	80C02HP	80C02XP	
1	Condenser guard	02-879330	1	1	1	1	
3	Top plate As	02-879340	1	1	1	1	
5	Motor stay	02-879300	1	1	1	1	
6	Fan motor	06-855620	1	1	1	1	*
8	Prop fan	05-864390	1	1	1	1	
9	10 Nut	08-405150	1	1	1	1	
10	10 Sp washer	08-405160	1	1	1	1	
11	Washer for fan	05-962730	1	1	1	1	
13	Orifice ring	02-879410	1	1	1	1	
15	Orifice plate	02-879320	1	1	1	1	
16	Hanger shell(B)	02-879430	1	1	1	1	
17	Fan guard	42-574190	1	1	1	1	
18	Hanger shell(A)	02-879420	3	3	3	3	
20	Side panel	02-879350	1	1	1	1	
21	Front panel	02-879380	1	1	1	1	
22	Seal plate	02-879310	1	1	1	1	
23	Pipe cover B	02-879370	1	1	1	1	
24	Pipe cover F	02-879360	1	1	1	1	
26	Unit base As	42-573150	1	1	1	1	
30	Control box	06-852690	1	1	1	1	
31	CT board	06-855400	-	1	-	1	*
		06-854280	1	-	1	-	
35	Transformer	06-855430	1	1	1	1	*
37	Electric capacity for fan motor	06-833100	1	1	1	1	*
37	Electric capacity for compressor	06-855440	1	-	-	-	*
		06-855450	-	-	1	-	*
40	Terminal(3P)	06-803020	1	-	1	-	
40	Terminal	06-855360	-	1	-	1	
42	Compressor relay	06-844690	1	-	1	-	*
		06-845730	-	1	-	1	*
43	Compressor cord As	46-936440	1	-	1	-	
		46-931300	-	1	-	1	
46	Printed circuit board	46-937120	1	-	-	-	*
		46-937130	-	1	-	-	*
		46-937140	-	-	1	-	*
		46-937150	-	-	-	1	*
50	Condenser&Distributer	45-905730	1	1	-	-	
		45-905740	-	-	1	1	
53	Piping thermistor(Discharge)	46-930790	1	1	1	1	*
54	Spring for sensor	05-840710	2	2	2	2	
57	Pipe clamp rubber(5/8)	05-867200	1	1	1	1	
58	Accumulator As	45-905670	1	1	-	-	
		45-905950	-	-	1	1	
60	Compressor cover top	05-867370	1	1	1	1	
62	High pressure switch	06-830840	1	1	1	1	*
63	Electric magnetic valve coil	06-855910	1	1	1	1	*
64	Electric magnetic valve	05-809320	1	1	1	1	*
65	Pipe clamp rubber	05-493370	1	1	-	-	
		05-867130	1	1	-	-	
		05-867140	-	-	1	1	

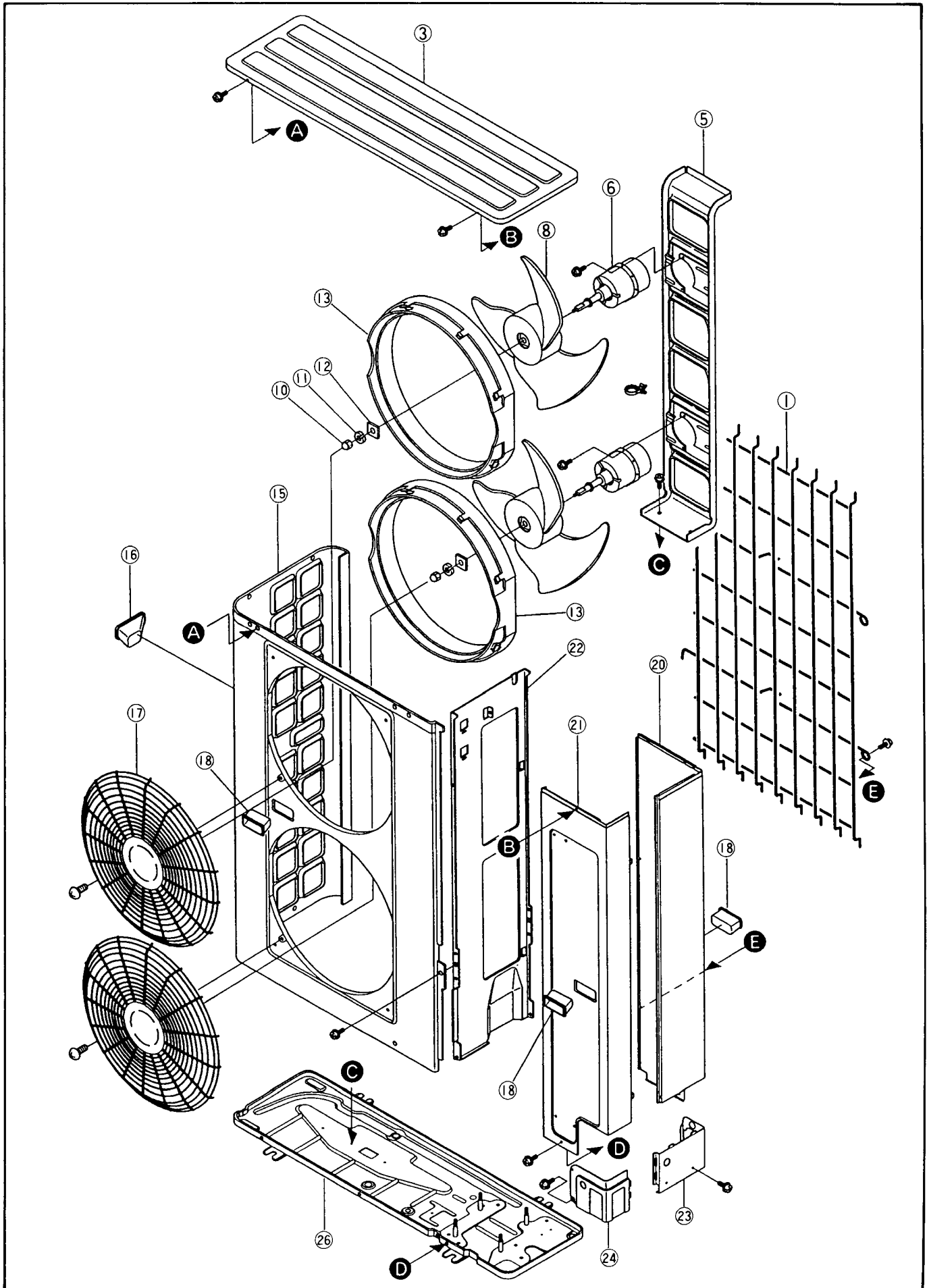
Panasonic Service STWin

29. REPLACEMENT PARTS

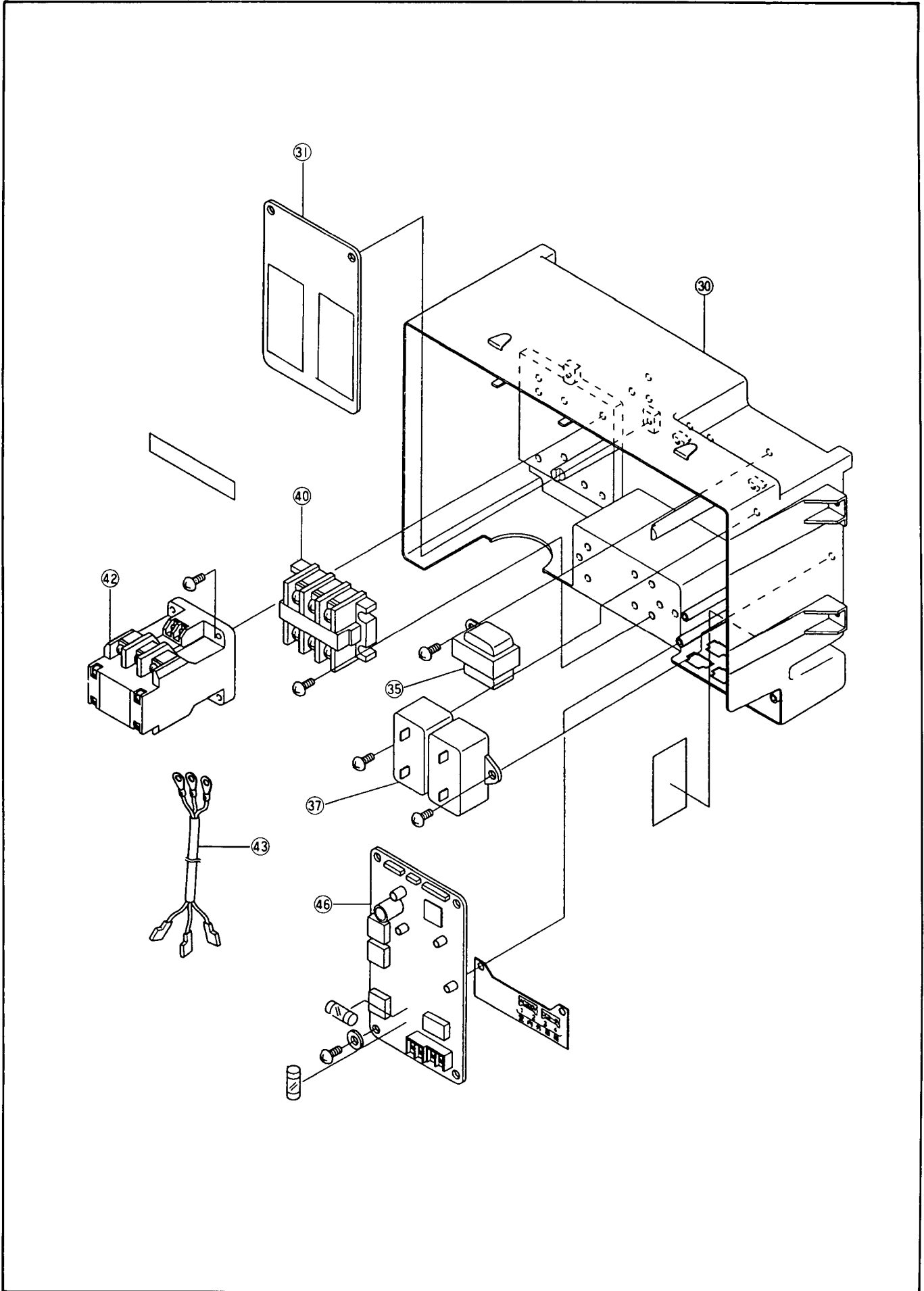
Cooling only model

REF.NO.	PARTS NAME	PARTS NUMBER CNR	QUANTITY PER 1 UNIT				*REC PARTS
			71C02HP	71C02XP	80C02HP	80C02XP	
67	Capillary tube for valve	05-864480	1	1	-	-	
		05-864490	-	-	1	1	
68	Piping thermistor(Coil)	46-930800	1	1	1	1	*
70	Compressor cover	05-867350	1	1	1	1	
71	Ball valve(5/8)	05-820630	1	1	1	1	
72	Flare nut(5/8)	38-890100	1	1	1	1	
74	8 Nut	38-817010	3	3	3	3	
75	8SP Washer	38-427080	3	3	3	3	
76	8 Washer	38-490740	3	3	3	3	
77	Compressor	05-983920	1	-	-	-	*
		05-983790	-	1	-	-	*
		05-802470	-	-	1	-	*
		05-978160	-	-	-	1	*
78	Mount rubber	05-867570	4	4	4	4	
79	Distributor	05-864120	1	1	1	1	
79	Capillary tube	05-463000	5	5	5	5	
82	Valve stay	02-881200	1	1	1	1	
83	Strainer	05-984840	1	1	-	-	
		05-815080	-	-	1	1	
84	Service valve (2/8)	05-864470	1	1	-	-	
	Service valve (3/8)	05-864350	-	-	1	1	
85	Flare nut(2/8)	38-890070	1	1	-	-	
	Flare nut(3/8)	38-890080	-	-	1	1	
88	Crankcase heater	06-855410	1	1	1	1	*
89	Base compressor cover	02-880780	1	1	1	1	

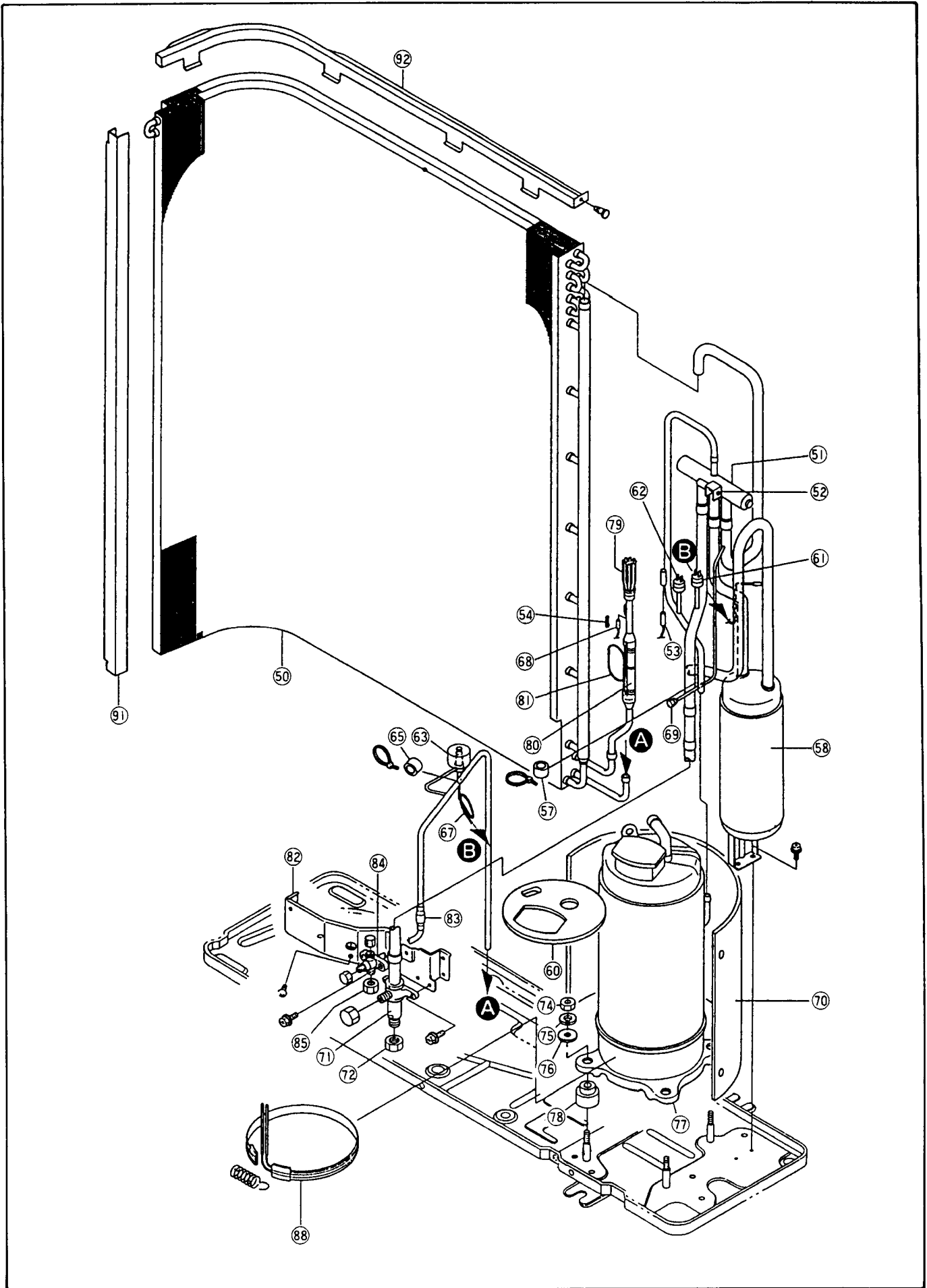
CU-112C52XP, CU-140C53XP, CU-160C53XP



CU-112C52XP, CU-140C53XP, CU-160C53XP



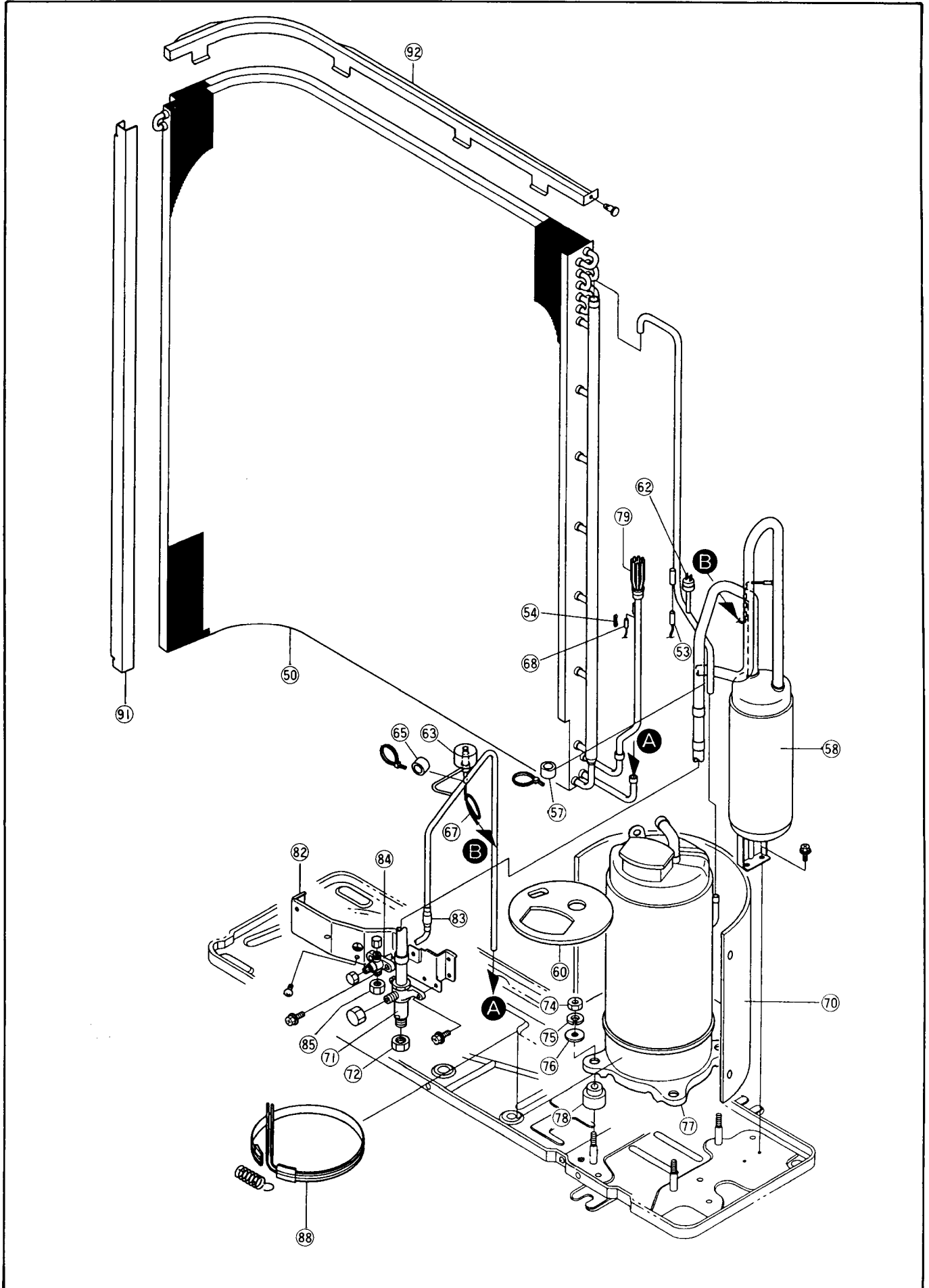
CU-112C52XP, CU-140C53XP, CU-160C53XP (Heat pump model)



Panasonic Service STWin

29. REPLACEMENT PARTS

CU-112C02XP, CU-140C03XP, CU-160C03XP (Cooling only model)



Panasonic Service STWin

29. REPLACEMENT PARTS

Heat pump model

REF.NO.	PARTS NAME	PARTS NUMBER CNR	QUANTITY PER 1 UNIT			*REC PARTS
			112C52XP	140C53XP	160C53XP	
1	Condenser guard	02-879510	1	—	—	
		02-879900	—	1	1	
3	Top plate As	02-879340	1	—	—	
		02-879910	—	1	1	
5	Motor stay	02-879490	1	1	1	
6	Fan motor	06-855620	2	2	—	※
		06-855630	—	—	2	※
8	Prop fan	05-864390	2	2	2	
9	10 Nut	08-405150	2	2	2	
10	10 Sp washer	08-405160	2	2	2	
11	Washer for fan	06-962730	2	2	2	
13	Orifice ring	02-879410	2	2	2	
15	Orifice plate	02-879500	1	—	—	
		02-879890	—	1	1	
16	Hanger shell(B)	02-879430	1	1	1	
17	Fan guard	42-574190	1	1	1	
18	Hanger shell(A)	02-879420	3	3	3	
20	Side panel	02-879480	1	1	1	
21	Front panel	02-879520	1	1	1	
22	Seal plate	02-881180	1	1	—	
		42-573500	—	—	1	
23	Pipe cover B	02-879370	1	1	1	
24	Pipe cover F	02-879360	1	1	1	
26	Unit base As	42-574050	1	—	—	
		42-573460	—	1	—	
		42-573470	—	—	1	
30	Control box	06-852690	1	1	1	※
31	CT board	06-855400	1	1	1	※
35	Transformer	06-855430	1	1	1	※
37	Electric capacity for fan motor	06-833100	2	2	2	
40	Terminal	06-855360	1	1	1	
42	Compressor relay	06-844690	1	1	1	※
		06-856400	—	1	1	
43	Compressor cord As	46-936330	1	—	—	
		46-931370	—	1	—	
		46-939060	—	—	1	
46	Printed circuit board	46-935900	1	—	—	※
		46-935920	—	1	—	
		46-939090	—	—	1	
50	Condenser&Distributer	45-906240	1	—	—	
		45-907490	—	1	—	
		45-907500	—	—	1	
51	Reversing valve	05-495730	1	—	—	※
		05-814560	—	1	1	※
52	Reversing valve coil	06-855900	1	1	1	※
53	Piping thermostor(Discharge)	46-931350	1	1	1	※
54	Spring for sensor	05-840710	2	2	2	
57	Pipe holder rubber	05-867620	1	1	1	
58	Accumulator As	45-909310	1	—	—	
		45-907430	—	1	—	
		45-907580	—	—	1	
60	Compressor cover top	05-867920	1	—	—	
		05-864540	—	1	—	
		05-866360	—	—	1	
61	Pressure switch(Heating)	06-826230	1	1	1	※
62	High pressure switch	06-830840	1	1	1	※
63	Elecctric magnetic valve coil	06-855920	1	1	1	※
64	Pressur switch	06-845860	—	—	1	

Heat pump model

REF.NO.	PARTS NAME	PARTS NUMBER CNR	QUANTITY PER 1 UNIT			*REC PARTS
			112C52XP	140C53XP	160C53XP	
64	Electric magnetic valve	05-809320	1	1	1	*
65	Pipe holder rubber	05-867200	1	—	—	
		05-867140	—	1	1	
67	Capillary tube for valve	05-864490	1	—	—	
		05-866020	—	1	—	
		05-866030	—	—	1	
68	Piping thermistor(Coil)	46-931360	1	1	1	
69	Check joint	05-822330	1	1	1	*
70	Compressor cover	05-867910	1	—	—	
		05-865060	—	1	—	
		05-866260	—	—	1	
71	Ball valve(6/8)	05-865070	1	1	1	
72	Flare nut(6/8)	38-890110	1	1	1	
74	8 Nut with washer	08-405360	3	—	—	
		38-817010	—	3	—	
		08-405330	—	—	3	
77	Compressor	05-867360	1	—	—	*
		91-959010	—	1	—	*
		05-869190	—	—	1	*
78	Mount rubber	05-849460	4	—	—	
		05-864550	—	4	—	
		05-867180	—	—	3	
79	Distributor	05-864820	1	—	—	
		05-865740	—	1	1	
79	Capillary tube	05-864830	6	8	8	
80	Check valve	05-478500	1	—	—	
		05-465940	—	1	1	
81	Heating capillary tube	05-864870	1	—	—	
		05-865990	—	1	—	
		05-866000	—	—	1	
82	Valve stay	02-881170	1	—	—	
		02-879400	—	1	1	
83	Strainer	05-815080	1	—	1	
		05-864520	—	1	—	
84	Service valve(3/8)	05-868750	1	—	—	
		05-864350	—	1	1	
85	Flare nut(3/8)	38-890080	1	1	1	
88	Cranccase heater	06-855420	1	1	—	*
		06-855690	—	—	1	*
90	Drain elbo As	47-598250	1	1	1	
91	Coil seal plate	02-879460	1	1	1	
92	Coil spacer	02-879530	1	—	—	
		02-879860	—	1	1	
93	Electric noise killer	06-814710	1	—	—	
94	Bonnet(3/8)	05-403050	—	1	1	
95	Bonnet(3/4)	05-412690	—	1	1	

Panasonic Service STWin

29. REPLACEMENT PARTS <OUTDOOR UNIT>

Cooling only model

REF.NO.	PARTS NAME	PARTS NUMBER CNR	QUANTITY PER 1 UNIT			*REC PARTS
			112C02XP	140C03XP	160C03XP	
1	Condenser guard	02-879510	1	-	-	
		02-879900	-	1	1	
3	Top plate As	02-879340	1	-	-	
		02-879910	-	1	1	
5	Motor stay	02-879490	1	1	1	
6	Fan motor	06-855620	2	2	-	※
		06-855630	-	-	2	※
8	Prop fan	05-864390	2	2	2	
9	10 Nut	08-405150	2	2	2	
10	10 Sp washer	08-405160	2	2	2	
11	Washer for fan	06-962730	2	2	2	
13	Orifice ring	02-879410	2	2	2	
15	Orifice plate	02-879500	1	-	-	
		02-879890	-	1	1	
16	Hanger shell(B)	02-879430	1	1	1	
17	Fan guard	42-574190	1	1	1	
18	Hanger shell(A)	02-879420	3	3	3	
20	Side panel	02-879480	1	1	1	
21	Front panel	02-879520	1	1	1	
22	Seal plate	02-881180	1	1	-	
		42-573500	-	-	1	
23	Pipe cover B	02-879370	1	1	1	
24	Pipe cover F	02-879360	1	1	1	
26	Unit base As	42-574050	1	-	-	
		42-573460	-	1	-	
		42-573470	-	-	1	
30	Control box	06-852690	1	1	1	
31	CT board	06-855400	1	1	1	※
35	Transformer	06-855430	1	1	1	※
37	Electric capacity for fan motor	06-833100	2	2	2	※
40	Terminal	06-855360	1	1	1	
42	Compressor relay	06-844690	1	-	-	※
		06-856400	-	1	1	
43	Compressor cord As	46-936300	1	1	1	
		46-931371	-	1	-	
		46-939060	-	-	1	
46	Printed circuit board	46-937260	1	-	-	※
		46-937420	-	1	-	
		46-939070	-	-	1	
50	Condenser&Distibuter	45-906410	1	-	-	
50	Condenser	05-865960	-	1	1	
50	Distibuter	45-907770	-	1	1	
53	Piping thermistor(Discharge)	46-931350	1	1	1	※
54	Spring for sensor	05-840710	2	2	2	
57	Pipe holder rubber	05-867620	1	1	1	
58	Accumulator As	45-909310	1	-	-	
		45-907430	-	1	-	
		45-907580	-	-	1	
60	Compressor cover top	05-867920	1	-	-	
		05-864540	-	1	-	
		05-866360	-	-	1	
62	High pressure switch	06-830840	1	1	1	※
63	Electric magnetic valve coil	06-855920	1	1	1	
65	Pipe holder rubber	06-867140	1	1	1	
67	Capillary tube for valve	05-864490	1	-	-	
		05-866020	-	1	-	
		05-866030	-	-	1	
68	Piping thermistor(Coil)	46-931360	1	1	1	※
70	Compresso cover	05-867910	1	-	-	
		05-865060	-	1	-	
		06-866260	-	-	1	
71	Ball valve(6/8)	05-865070	1	1	1	
72	Flare nut(6/8)	38-890110	1	1	1	
74	8 Nut	08-405360	3	3	3	
		38-817010	-	3	3	
77	Compressor	05-867360	1	-	-	※
		91-959010	-	1	-	※
		05-869190	-	-	1	※
78	Mount rubber	05-849460	4	-	-	
		05-864550	-	4	-	
		05-869190	-	-	1	
79	Distributor	05-864820	1	-	-	
		05-865740	-	1	1	
79	Capillary tube	05-864830	6	8	8	
82	Valve stay	02-881170	1	-	-	
		02-879400	-	1	1	
83	Strainer	05-815080	1	-	-	

Panasonic Service STWin

29. REPLACEMENT PARTS < OUTDOOR UNIT >

Cooling only model

REF.NO.	PARTS NAME	PARTS NUMBER CNR	QUANTITY PER 1 UNIT			*REC PARTS
			112CO02XP	140CO03XP	160CO03XP	
84	Service valve(3/8)	05-868750	1	1	1	
		05-864350	—	1	1	
85	Flare nut(3/8)	38-890080	1	1	1	
88	Crankcase heater	06-855420	1	1	—	*
		06-855690	—	—	1	*
91	Coil seal plate	02-879460	1	1	1	
92	Coil spacer	02-879530	1	1	—	
		02-879860	—	—	1	
94	Low pressure switch	06-845860	—	—	1	
95	Bonnet(3/8)	05-403050	—	—	1	
96	Bonnet(3/4)	05-412690	—	—	1	