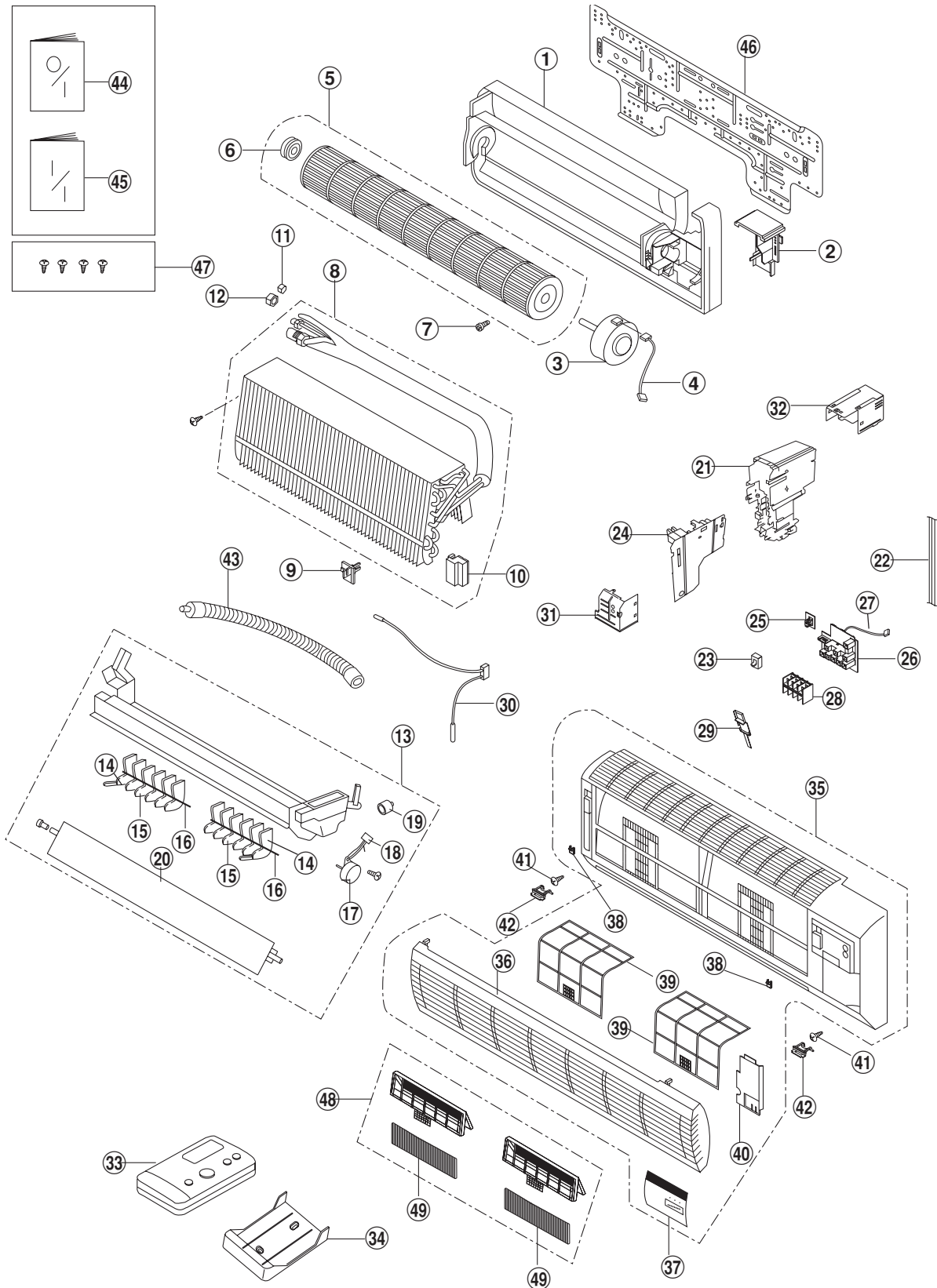


Exploded View

CS-A73KE / CS-A93KE / CS-A123KE



(Note) : The above exploded view is for the purpose of parts disassembly and replacement.
The non-numbered parts are not kept as standard service parts.

Replacement Parts List

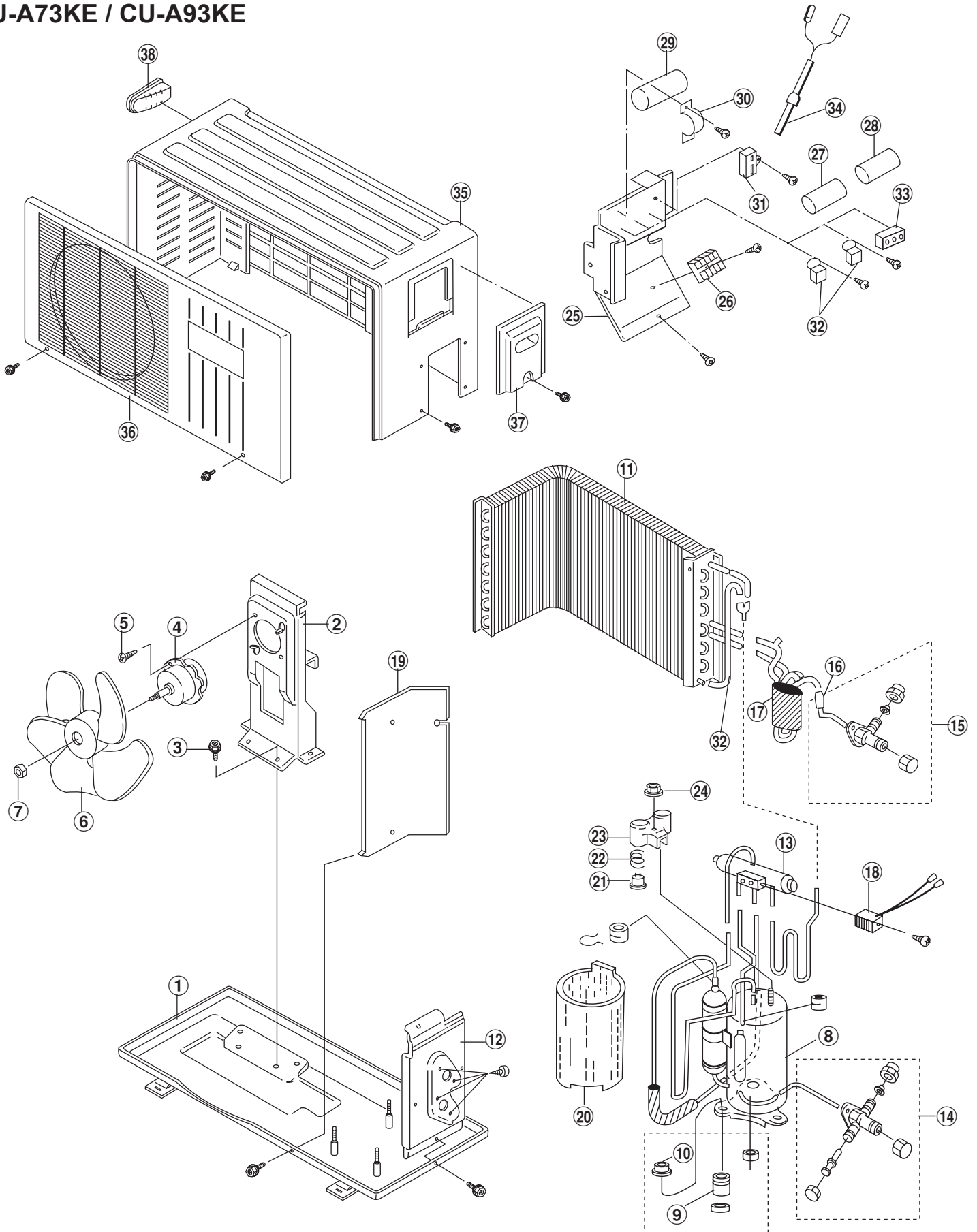
<Model: CS-A73KE / CS-A93KE / CS-A123KE>

NO.	DESCRIPTION & NAME	Q'TY	CS-A73KE	CS-A93KE	CS-A123KE	REMARKS
1	CHASSY COMPLETE	1	CWD50C338	←	←	
2	PARTICULAR PIECE	1	CWD931019	←	←	
3	FAN MOTOR	1	CWA92288	CWA92286	CWA92290	○
4	LEAD WIRE – FAN MOTOR	1	CWA67C2097	←	←	
5	CROSS FLOW FAN	1	CWH02C060	←	←	
6	BEARING	1	CWH64K007	←	←	
7	SCREW – CROSS FLOW FAN	1	CWH4580304	←	←	
8	EVAPORATOR & TUBE ASS'Y COMPLETE	1	CWB30C259	←	CWB30C260	
9	INTAKE AIR SENSOR HOLDER	1	CWH32142	←	←	
10	ANTI VIBRATION BUSHING	1	CWH50211	←	←	
11	FLARE NUT (1/4")	1	CWH6002140	←	←	
12	FLARE NUT (1/2") OR (3/8")	1	CWT25005 (3/8")	←	CWT25007 (1/2")	
13	DISCHARGE GRILLE COMPLETE	1	CWE20C610	CWE20C624	←	
14	VERTICAL VANE WITH TAB	2	CWE24458	←	←	
15	VERTICAL VANE	10	CWE24457	←	←	
16	CONNECTING BAR	2	CWE26194	←	←	
17	AIR SWING MOTOR	1	CWA98260	CWA98C033	←	○
18	LEAD WIRE – AIR SWING MOTOR	1	CWA67C2106	←	←	
19	CAP FOR DRAIN TRAY	1	CWH52C003	←	←	
20	HORIZONTAL VANE	1	CWE24462	←	←	
21	CONTROL BOARD	1	CWH10965	←	←	
22	POWER SUPPLY CORD	1	CWA20C751	←	←	
23	SLIDE SWITCH	1	CWA04088	←	←	○
24	ELECTRONIC CONTROLLER	1	CWA741388	CWA741491	←	○
25	RECEIVER	1	CWA74919	←	←	○
26	INDICATOR COMPLETE	1	CWA741376'	←	←	○
27	LEAD WIRE – INDICATOR	1	CWA67C2105	←	←	
28	TERMINAL BOARD	1	CWA28C575	←	CWA28C576	○
29	INDICATOR HOLDER	1	CWD931018	←	←	
30	SENSOR COMPLETE	1	CWA50C608	←	←	○
31	CONTROL BOARD FRONT COVER	1	CWH13456	←	←	
32	CONTROL BOARD TOP COVER	1	CWH13457	←	←	
33	REMOTE CONTROL COMPLETE	1	CWA75C723	←	←	○
34	REMOTE CONTROL HOLDER*	1	CWH36161	←	←	
35	FRONT GRILLE COMPLETE	1	CWE11C978	←	←	
36	INTAKE GRILLE COMPLETE	1	CWE22C333	←	←	
37	DECORATION BASE COMPLETE	1	CWE35C023	←	←	
38	TAB	2	CWD931020	←	←	
39	AIR FILTER	2	CWD00240	←	←	
40	GRILLE DOOR	1	CWE14236	←	←	
41	SCREW FOR FRONT GRILLE	2	XTN4+16C	←	←	
42	CAP FOR FRONT GRILLE	2	CWH52267	←	←	
43	DRAIN HOSE	1	CWH5880580	←	←	
44	OPERATING INSTRUCTIONS (ENG/SPA/GER/FRA/NED/ITA)	1	CWF561595	←	←	
44a	OPERATING INSTRUCTIONS (POR/GRK)	1	CWF56195A	←	←	
44b	OPERATING INSTRUCTIONS (RUSSIAN)	1	CWF56195B	←	←	
45	INSTALLATION INSTRUCTIONS	1	CWF61674	←	CWF61685	
46	INSTALLATION PLATE	1	CWH36157	←	←	
47	BAG COMPLETE - INSTALLATION SCREW	1	CWH82C144	←	←	
48	AIR PURIFYING FILTER COMPLETE	1	CWD00C111	←	←	
49	AIR PURIFYING FILTER	2	CWD00220	←	←	○

- (Note) ● All parts are supplied from MACC, Malaysia (Vendor Code: 086).
 ● ○ marked parts are recommended to be kept in stock.
 ● * Is an optional parts

Exploded View

CU-A73KE / CU-A93KE



(Note) : The above exploded view is for the purpose of parts disassembly and replacement.
The non-numbered parts are not kept as standard service parts.

Replacement Parts List

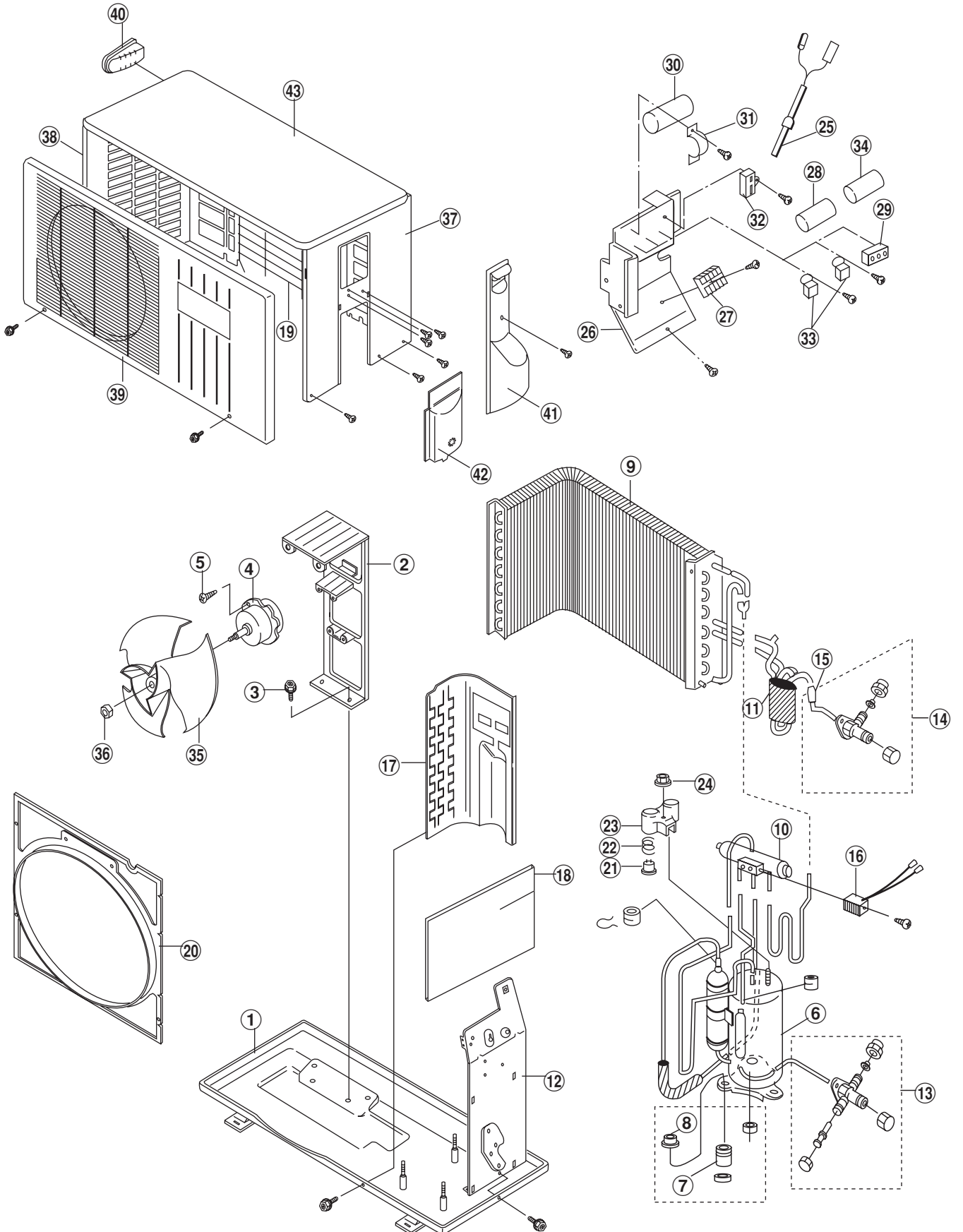
<Model: CU-A73KE / CU-A93KE>

NO.	DESCRIPTION & NAME	Q'TY	CS-A73KE	CS-A93KE	REMARKS
1	CHASSY ASS'Y	1	CWD50K438F	CWD50K456D	
2	FAN MOTOR BRACKET	1	CWD54113	←	
3	SCREW – FAN MOTOR BRACKET	4	CWH4580399	←	
4	FAN MOTOR	1	CWA95245	←	○
5	SCREW – FAN MOTOR MOUNT	3	CWH55027	←	
6	PROPELLER FAN	1	CWH00K052	←	
7	NUT – PROPELLER FAN	1	CWH56032	←	
8	COMPRESSOR	1	2RS127D3CA04	2PS174D3AA02	○
9	ANTI – VIBRATION BUSHING	3	CWH50077	←	
10	NUT – COMPRESSOR MOUNT	3	CWH56000	←	
11	CONDENSER	1	CWB32C043	←	
12	HOLDER COUPLING ASS'Y	1	CWH35K017A	←	
13	4-WAY VALVE	1	CWB00002	←	○
14	3-WAY VALVE	1	CWB01479	←	○
15	2-WAY VALVE	1	CWB02307	←	○
16	STRAINER	1	CWB11025	←	
17	TUBE ASS'Y (CHECK VALVE/CAPILARY)	1	CWT01C638	CWT01C639	
18	V – COIL COMPLETE	1	CWA43C424	←	○
19	SOUND PROOF BOARD	1	CWH15266	←	
20	SOUND PROOF MATERIAL (FOR COMPRESSOR)	1	CWG30786	←	
21	OVERLOAD PROTECTOR	1	CWA67C2073	CWA67C2074	○
22	HOLDER – O.L.P	1	CWH7041200	←	
23	TERMINAL COVER	1	CWH17006	←	
24	NUT – TERMINAL COVER	1	CWH7080300	←	
25	CONTROL BOARD	1	CWH10881	←	
26	TERMINAL BOARD ASS'Y	1	CWA28C500	←	
27	ELECTROLYTIC CAPACITOR	1	CWA32C045	←	○
28	ELECTROLYTIC CAPACITOR	1	CWA32C067	←	○
29	CAPACITOR-COMPRESSOR	1	CWA31653 (15 μ F,440V)	CWA31646 (25 μ F,370V)	○
30	HOLDER CAPACITOR	1	CWH30057	←	
31	CAPACITOR – FAN MOTOR	1	CWA31342 (1.2 μ F,400V)	←	○
32	ELECTROMAGNETIC SWITCH	2	CWA00059	←	○
33	TERMINAL BOARD ASS'Y	1	CWA4711012	←	
34	TEMPERATURE RELAY	1	CWA14C000	←	○
35	CABINET ASS'Y	1	CWE00K330A	←	
36	CABINET FRONT PLATE	1	CWE06C117A	←	
37	CONTROL BOARD COVER	1	CWH13C286	←	
38	HANDLE	1	CWE16037C	←	

(Note) ● All parts are supplied from MACC, Malaysia (Vendor Code: 086).
○ marked parts are recommended to be kept in stock.

Exploded View

CU-A123KE



(Note) : The above exploded view is for the purpose of parts disassembly and replacement.
The non-numbered parts are not kept as standard service parts.

Replacement Parts List

<Model: CU-A123KE>

NO.	DESCRIPTION & NAME	Q'TY	CU-A123KE	REMARKS
1	CHASSY ASS'Y	1	CWD50K659A	
2	FAN MOTOR BRACKET	1	CWD54254	
3	SCREW – FAN MOTOR BRACKET	6	CWH55413	
4	FAN MOTOR	1	CWA95381	○
5	SCREW – FAN MOTOR MOUNT	4	CWH55252	
6	COMPRESSOR	1	2KS224D5CA02	○
7	ANTI – VIBRATION BUSHING	3	CWH50055	
8	NUT – COMPRESSOR MOUNT	3	CWH4582065	
9	CONDENSER	1	CWB32C336	
10	4-WAY VALVE	1	CWB00003	○
11	TUBE ASS'Y (CHECK VALVE / CAPILLARY)	1	CWT01C652	
12	HOLDER COUPLING ASS'Y	1	CWH35K063	
13	3-WAY VALVE	1	CWB01480	○
14	2-WAY VALVE	1	CWB02308	○
15	STRAINER	1	CWB11025	
16	V – COIL COMPLETE	1	CWA43C689	○
17	SOUND PROOF BOARD	1	CWH15288	
18	SOUND PROOF MATERIAL	1	CWG30911	
19	WIRE NET	1	CWD04197A	
20	AIR GUIDER PROPELLER FAN	1	CWD31138	
21	OVERLOAD PROTECTOR	1	CWA12360	○
22	HOLDER – O.L.P.	1	CWH7041200	
23	TERMINAL COVER	1	CWH17006	
24	NUT – TERMINAL COVER	1	CWH7080300	
25	TEMPERATURE RELAY	1	CWA14C000	○
26	CONTROL BOARD	1	CWH10972	
27	TERMINAL BOARD ASS'Y	1	CWA28C583	
28	ELECTROLYTIC CAPACITOR	1	CWA32C045	○
29	TERMINAL BOARD ASS'Y	1	CWA4711012	
30	CAPACITOR-COMPRESSOR	1	CWA31647 (30 μ F, 370 V)	○
31	HOLDER CAPACITOR	1	CWH30057	
32	CAPACITOR – FAN MOTOR	1	CWA31227 (1.5 μ F, 400 V)	○
33	ELECTROMAGNETIC SWITCH	2	CWA00059	○
34	ELECTROLYTIC CAPACITOR	1	CWA32C067	○
35	PROPELLER FAN ASS'Y	1	CWH00K087	
36	NUT-PROPELLER FAN	1	CWH56053	
37	CABINET SIDE PLATE (RIGHT)	1	CWE04217A	
38	CABINET SIDE PLATE (LEFT)	1	CWE04220A	
39	CABINET FRONT PLATE	1	CWE06K104A	
40	HANDLE	1	CWE16037C	
41	CONTROL BOARD COVER	1	CWH13461	
42	PLATE FOR CONTROL BOARD COVER	1	CWD91258	
43	CABINET TOP PLATE	1	CWE03K035A	

(Note) ● All parts are supplied from MACC, Malaysia (Vendor Code: 086).
 ● ○ marked parts are recommended to be kept in stock.

Electronic Parts List

<Electronic Controller Part No. : CWA741388, CWA741491>

SYMBOL	DESCRIPTION & NAME	PART NO.
BZ1	SOUND GENERATOR	A48040
CT1	TRANSFORMER	A40322
D1	DIODE	A541SR154-4
D2	DIODE	A54RB501V-40
D3	DIODE	A541SS355T
DB1	DOIDE	A54CS1VB20E
FUSE	FUSE	XBA2C20TR0
FUSE HOLDER	FUSE HOLDER	XCSCW032
IC1	INTERGRATED CIRCUIT	A52D0022G503
IC2	INTERGRATED CIRCUIT	A52BR9020F
IC3	INTERGRATED CIRCUIT	A52A2003GR2
IC4	INTERGRATED CIRCUIT	A52C040
IC5	INTERGRATED CIRCUIT	A52C114
Q1	TRANSISTOR	A55DC114EKT
Q2, Q3	TRANSISTOR	A55C2412KTX
Q4	TRANSISTOR	A55D1484K
Q5 - Q8	TRANSISTOR	A55DC143XKTX
RY-HOT	ELECTRO MAGNETIC RELAY	A00161
RY-PWR	ELECTRO MAGNETIC RELAY	A00106
RY-SHi , RY-Hi , RY-M	ELECTRO MAGNETIC RELAY	A00160
SSR1 , SSR2	TYRISTOR	A56W2DEH1-5
SW1	SLIDE SWITCH	A04085
SW2 , SW3	PUSH SWITCH	A01059
T1	TRANSFORMER	A40366
X1	RESONATOR	A45CST4.09MG
ZD1	DIODE	A54D7.5MT1B
ZNR1 , ZNR2 , ZNR3	DIODE	ERZVEAV511
C-FM	SH CAPACITOR	A31698
TEMP FUSE	TEMPERATURE FUSE	A16C204
HOT (RED)	CURRENT TRANSFORMER	A28069T
CR1, CR2, CR3, CR4, CR5	SURGE ABSORBER	A59014

(Note) ● All parts are supplied from MACC, Malaysia (Vendor Code: 086).