

## S7. Replacement Parts List

Note:  1.\* Be sure to make your orders of replacement parts according to this list.

2. IMPORTANT SAFETY NOTICE

- Components identified with the mark  $\triangle$  have the special characteristics for safety.
- When replacing any of these components, use only the same type.

3.  Unless otherwise specified,

- All resistors are in OHMS, K=1,000 OHMS. All capacitors are in MICRO-FARADS (uf), P=uuF.

4.  The marking (RTL) indicates the retention time is limited for this item. After the discontinuation of this assembly in production, it will no longer be available.

**E.S.D. standards for Electrostatically Sensitive Devices, refer to “PREVENTION OF ELECTROSTATIC DISCHARGE (ESD) TO ELECTROSTATICALLY SENSITIVE (ES) DEVICES” section.**

Ref.No.	Part No.	Part Name & Description	Pcs	Remarks	Ref.No.	Part No.	Part Name & Description	Pcs	Remarks
##	VEP79250C	MAIN P.C.B.	1	(EG) (RTL) E.S.D.	C3043	F1H1C104A071	16V 0.1U	1	
##	VEP79250A	MAIN P.C.B.	1	(EB) (RTL) E.S.D.	C3044	F2A0J470A824	6.3V 47U	1	
##	VEP76209B	FRONT JACK P.C.B.	1	(RTL) E.S.D.	C3045	F1H1H103A219	50V 0.01U	1	
##	VEP73176B	SD/USB P.C.B.	1	(RTL) E.S.D.	C3046	F1H1H3R0A508	50V 3P	1	
##	VEP73175A	HDMI P.C.B.	1	(RTL) E.S.D.	C3047	F2A1H1R0B032	50V 1U	1	
##	RFKB71174BT	DIGITAL IF P.C.B.	1	(RTL) E.S.D.	C3048	F1H1H103A219	50V 0.01U	1	
##	VEP72127A	FL DRIVE P.C.B.	1	(RTL) E.S.D.	C3049	F1H1H103A219	50V 0.01U	1	
					C3050	F1H1A105A028	10V 1U	1	
					C3051	F1H1A105A028	10V 1U	1	
					C3052	F1H1A105A028	10V 1U	1	
					C3053	F1H1C104A071	16V 0.1U	1	
##	VEP79250C	MAIN P.C.B.		(EG) (RTL) E.S.D.	C3080	F1H1H103A219	50V 0.01U	1	
##	VEP79250A	MAIN P.C.B.		(EB) (RTL) E.S.D.	C3901	F2A0J102A833	6.3V 1000U	1	
C2001	F1H1H330A004	50V 33P	1		C3902	F1H1C104A071	16V 0.1U	1	(EB)
C2003	F1H1A105A030	10V 1U	1		C3904	F1H1H103A219	50V 0.01U	1	
C2051	F1J0J106A014	6.3V 10U	1		C3905	F1H1A105A028	10V 1U	1	
C2052	F1J0J106A014	6.3V 10U	1		C3906	F1H1C104A071	16V 0.1U	1	
C2053	F2A1C1000021	16V 10U	1		C3907	F1H1A105A028	10V 1U	1	
C2054	F1H1H392A013	50V 3900	1		C3908	F1H1C104A071	16V 0.1U	1	
C2055	F1H1C104A071	16V 0.1U	1		C3909	F1H1A105A028	10V 1U	1	
C2099	F1H1H681A004	50V 680P	1		C3910	F1H1H103A219	50V 0.01U	1	
C2501	F1H1C104A071	16V 0.1U	1		C3911	F1H1H103A219	50V 0.01U	1	
C2502	F2A0J221A826	6.3V 220U	1		C3912	F2A1C100B099	16V 10U	1	
C2504	F1H1E223A002	25V 0.022U	1		C3913	F1H1C104A071	16V 0.1U	1	
C2505	F1H1E223A002	25V 0.022U	1		C3914	F1H1H103A219	50V 0.01U	1	
C2506	F1H1A224A028	10V 22U	1		C3915	F1H1C104A071	16V 0.1U	1	
C2507	F1H1H102A013	50V 1000P	1		C3916	F1H1C104A071	16V 0.1U	1	
C2508	F1H1H182A013	50V 1800P	1		C3920	F1H1C104A071	16V 0.1U	1	
C2509	F2A1C220B100	16V 22U	1		C3921	F1H1C104A071	16V 0.1U	1	
C2510	F1H1C104A071	16V 0.1U	1		C3922	F1H1H103A219	50V 0.01U	1	
C2511	F1H1C104A071	16V 0.1U	1		C3923	F1H1H103A219	50V 0.01U	1	
C2512	F1H1C104A071	16V 0.1U	1		C3924	F1H1C104A071	16V 0.1U	1	
C2513	F1H1A105A030	10V 1U	1		C3925	F1H1C104A071	16V 0.1U	1	
C2514	F1H1A105A028	10V 1U	1		C3926	F1H1C104A071	16V 0.1U	1	
C2515	F1H1H103A219	50V 0.01U	1		C3927	F1H1C104A071	16V 0.1U	1	
C2518	F1H1H103A219	50V 0.01U	1		C3928	F1H1H103A219	50V 0.01U	1	
C2519	F1H1H103A219	50V 0.01U	1		C3929	F2A0J101A167	6.3V 100U	1	
C2551	F1H1E473A002	25V 0.047U	1		C3934	F1H1C104A071	16V 0.1U	1	
C2552	F1H1E683A002	25V 0.068U	1		C3940	F1H1H330A004	50V 33P	1	
C2561	F1H1E683A002	25V 0.068U	1		C3946	F1H1C104A071	16V 0.1U	1	(EG)
C2562	F1H1E473A002	25V 0.047U	1		C3947	F1H1C104A071	16V 0.1U	1	
C2571	F2A1C331B103	16V 330P	1		C3948	F1H1C104A071	16V 0.1U	1	
C3001	F1H1H151A004	50V 150P	1		C3955	F1H1H103A219	50V 0.01U	1	
C3003	F1H1A105A028	10V 1U	1		C3956	F1H1H103A219	50V 0.01U	1	
C3004	F1H1C104A071	16V 0.1U	1		C4001	F2A1C100B099	16V 10U	1	
C3005	F1H1H270A004	50V 27P	1		C4002	F2A1C100B099	16V 10U	1	
C3006	F1H1C104A071	16V 0.1U	1		C4004	F2A1C100B099	16V 10U	1	
C3007	F1H1A105A028	10V 1U	1		C4008	F1H1H182A013	50V 1800P	1	
C3008	F1H1H103A219	50V 0.01U	1		C4009	F2A0J220A878	6.3V 22U	1	
C3009	F2A1H4R7B033	50V 4.7U	1		C4010	F2A1H4R7B033	50V 4.7U	1	
C3010	F1H1A105A028	10V 1U	1		C4011	F2A0J470A824	6.3V 47U	1	
C3011	F1H1A105A028	10V 1U	1		C4012	F1H1H103A219	50V 0.01U	1	
C3012	F2A0J470A824	6.3V 47U	1		C4014	F2A1H4R7A234	50V 4.7U	1	
C3013	F1H1H103A219	50V 0.01U	1		C4015	F1H1H682A013	50V 6800P	1	
C3015	F1H1C104A071	16V 0.1U	1		C4016	F2A0J220A878	6.3V 22U	1	
C3016	F1H1H470A004	50V 47P	1		C4017	F2A1H3R3B032	50V 3.3U	1	
C3017	F1H1A105A028	10V 1U	1		C4018	F1H1H182A013	50V 1800P	1	
C3018	F1H1A105A028	10V 1U	1		C4020	F1J1H333A533	50V 0.033U	1	
C3019	F2A1C100B099	16V 10U	1		C4021	F1H1H471A013	50V 470P	1	
C3020	F1H1H331A004	50V 330P	1		C4022	F2A1A101A204	10V 100U	1	
C3021	F1H1H103A219	50V 0.01U	1		C4023	F1H1E223A002	25V 0.022U	1	
C3023	F2A1H3R3B032	50V 3.3U	1		C4024	F1H1H182A013	50V 1800P	1	
C3024	F1H1H103A219	50V 0.01U	1		C4101	F1H1H471A792	50V 470P	1	
C3026	F1H1A105A028	10V 1U	1		C4102	F1H1H471A792	50V 470P	1	
C3028	F1H1C104A071	16V 0.1U	1		C4103	F1H1H470A004	50V 47P	1	
C3029	F1H1C104A071	16V 0.1U	1		C4104	F1H1H470A004	50V 47P	1	
C3030	F1H1C104A071	16V 0.1U	1		C4105	F1H1H101A004	50V 100P	1	
C3033	F1H1C104A071	16V 0.1U	1		C4106	F1H1H101A004	50V 100P	1	
C3034	F2A1H1R0B032	50V 1U	1		C4107	F1H1H471A792	50V 470P	1	
C3036	F2A1H4R7B033	50V 4.7U	1		C4108	F1H1H471A792	50V 470P	1	
C3037	F2A1HR47B032	50V 47U	1		C4109	F1H1H470A004	50V 47P	1	
C3038	F1H1E223A002	25V 0.022U	1		C4110	F1H1H470A004	50V 47P	1	
C3039	F1H1C333A041	16V 0.033U	1		C4111	F1H1H101A004	50V 100P	1	
C3040	F2A1H2R2B032	50V 2.2U	1		C4112	F1H1H101A004	50V 100P	1	
C3041	F1H1E223A002	25V 0.022U	1		C4501	F2A1C100B099	16V 10U	1	
C3042	F1J0J335A002	6.3V 3.3U	1		C4502	F2A1C100B099	16V 10U	1	
					C4503	F2A1C100B099	16V 10U	1	

Ref.No.	Part No.	Part Name & Description	Pcs	Remarks
C4504	F1H1C473A041	16V 0.047U	1	
C4505	F2A0J330A824	6.3V 33U	1	
C4506	F2A1C100B099	16V 10U	1	
C4508	F2A1C100B099	16V 10U	1	
C4509	F2A0J220A878	6.3V 22U	1	
C4510	F1H1H153A013	50V 0.015U	1	
C4511	F1H1C333A041	16V 0.033U	1	
C4512	F1H1H103A219	50V 0.01U	1	
C4513	F1H1H103A219	50V 0.01U	1	
C4515	F1H1C104A071	16V 0.1U	1	
C4516	F1H1C104A071	16V 0.1U	1	
C4518	F1H1A224A012	10V 1U	1	
C4519	F1H1H153A013	50V 0.015U	1	
C4520	F2A0J220A878	6.3V 22U	1	
C4521	F2A1C100B099	16V 10U	1	
C4522	F2A0J330A824	6.3V 33U	1	
C4523	F1H1C473A041	16V 0.047U	1	
C4524	F2A0J101A825	6.3V 100U	1	
C4526	F2A1C100B099	16V 10U	1	
C4531	F2A1C470B101	16V 47U	1	
C4533	F1H1H103A219	50V 0.01U	1	
C4534	F1H1C104A071	16V 0.1U	1	
C4544	F1H1C104A071	16V 0.1U	1	
C4545	F2A1C220B100	16V 22U	1	
C4548	F1H1H102A004	50V 1000P	1	
C4917	F1H1A105A028	10V 1U	1	
C4918	F1H1A105A028	10V 1U	1	
C4922	F1J1A225A003	10V 2.2U	1	
C4923	F1J1A225A003	10V 2.2U	1	
C4924	F1J1A225A003	10V 2.2U	1	
C4925	F1J1A225A003	10V 2.2U	1	
C4926	F1H1A105A028	10V 1U	1	
C4927	F2A1E4700048	25V 47U	1	
C4928	F1H1A105A028	10V 1U	1	
C4929	F1H1A105A028	10V 1U	1	
C4930	F1H1A105A028	10V 1U	1 (EG)	
C4931	F1H1A105A028	10V 1U	1	
C4932	F1H1A105A028	10V 1U	1	
C4933	F1H1A105A028	10V 1U	1	
C4934	F1H1A105A028	10V 1U	1	
C4935	F2A1E4700048	25V 47U	1	
C4936	F1H1A105A028	10V 1U	1	
C4937	F1H1A105A028	10V 1U	1	
C4938	F1H1A105A028	10V 1U	1 (EG)	
C4939	F1H1A105A028	10V 1U	1	
C4940	F1H1A105A028	10V 1U	1	
C4941	F1H1A105A028	10V 1U	1	
C4943	F1H1A105A028	10V 1U	1	
C4944	F2A1E4700048	25V 47U	1	
C4945	F2A1E4700048	25V 47U	1	
C4946	F1H1H102A013	50V 1000P	1	
C4947	F1H1H102A013	50V 1000P	1	
C4965	F1H1H471A792	50V 470P	1	
C4967	F1H1H471A792	50V 470P	1	
C5001	F1H1H103A219	50V 0.01U	1	
C5002	F1H1H103A219	50V 0.01U	1	
C5003	F1H1H103A219	50V 0.01U	1	
C5004	F1H1H103A219	50V 0.01U	1	
C5005	F1H1C104A071	16V 0.1U	1	
C5006	F2A0J470A824	6.3V 47U	1	
C5007	F1H1C104A071	16V 0.1U	1	
C6001	F1H1H180A004	50V 18P	1	
C6002	F1H1H220A004	50V 22P	1	
C6003	F1H1H103A219	50V 0.01U	1	
C6004	F1H1H103A219	50V 0.01U	1	
C6005	F2A1C100B099	16V 10U	1	
C6007	F1H1H220A004	50V 22P	1	
C6008	F1H1H471A792	50V 470P	1	
C6009	F1H1H103A219	50V 0.01U	1	
C6010	F1H1H220A004	50V 22P	1	
C6014	F1H1H103A219	50V 0.01U	1	
C6015	F1H1E333A002	25V 0.033U	1	
C6016	F1H1H102A013	50V 1000P	1	
C6017	F1H1C104A071	16V 0.1U	1	
C6018	F1H1C104A071	16V 0.1U	1	
C6020	F1J1H104A578	50V 0.1U	1	
C6022	F2A0J221A826	6.3V 220U	1	

Ref.No.	Part No.	Part Name & Description	Pcs	Remarks
C6101	F2A0J221A826	6.3V 220U	1	
C6103	F1H1A105A030	10V 1U	1	
C6110	F1H1A105A030	10V 1U	1	
C6111	F1H1H561A004	50V 560P	1	
C6115	F1H1H103A219	50V 0.01U	1	
C6116	F1H1C104A071	16V 0.1U	1	
C6121	F1H1H330A004	50V 33P	1	
C6301	F1H1C104A071	16V 0.1U	1	
C6302	F1H1H103A219	50V 0.01U	1	
C6303	F2A1A470A863	10V 47P	1	
C6308	F2A0J470A824	6.3V 47U	1	
C7301	F2A1C100B099	16V 10U	1 (EG)	
C7303	F1H1H472A013	50V 4700P	1 (EG)	
C7304	F1H1H472A013	50V 4700P	1 (EG)	
C7305	F1H1C104A071	16V 0.1U	1 (EG)	
C7306	F1H1C104A071	16V 0.1U	1 (EG)	
C7307	F1H1C104A071	16V 0.1U	1 (EG)	
C7308	F1H1C104A071	16V 0.1U	1 (EG)	
C7309	F1H1C104A071	16V 0.1U	1 (EG)	
C7310	F1H1C104A071	16V 0.1U	1 (EG)	
C7313	F2A0J470A824	6.3V 47U	1 (EG)	
C7314	F2A0J470A824	6.3V 47U	1 (EG)	
C7315	F2A0J470A824	6.3V 47U	1 (EG)	
C7316	F1H1H472A013	50V 4700P	1 (EG)	
C7317	F1H1C104A071	16V 0.1U	1 (EG)	
C7318	F1H1C104A071	16V 0.1U	1 (EG)	
C7319	F1H1C104A071	16V 0.1U	1 (EG)	
C7320	F1H1C104A071	16V 0.1U	1 (EG)	
C7321	F1H1C104A071	16V 0.1U	1 (EG)	
C7322	F1H1C104A071	16V 0.1U	1 (EG)	
C7323	F1H1C104A071	16V 0.1U	1 (EG)	
C7324	F1H1C104A071	16V 0.1U	1 (EG)	
C7325	F1H1H331A004	50V 330P	1 (EG)	
C7326	F2A0J470A824	6.3V 47U	1 (EG)	
C7327	F1H1H1000008	50V 10P	1 (EG)	
C7328	F1H1H1000008	50V 10P	1 (EG)	
C7329	F1H1C104A071	16V 0.1U	1 (EG)	
C7330	F1H1C104A071	16V 0.1U	1 (EG)	
C7331	F1H1H270A004	50V 27P	1 (EG)	
C7332	F1H1H270A004	50V 27P	1 (EG)	
C7333	F1H1C104A071	16V 0.1U	1 (EG)	
C7337	F1H1A105A028	10V 1U	1 (EG)	
C7338	F1H1A105A028	10V 1U	1 (EG)	
C7401	F1H1H103A219	50V 0.01U	1	
C7403	F1H1A105A028	10V 1U	1	
C7404	F1H1A105A028	10V 1U	1	
C7406	F1H1A105A028	10V 1U	1	
C7407	F1H1A105A028	10V 1U	1	
C7410	F1H1A105A028	10V 1U	1	
C7411	F1H1A105A028	10V 1U	1	
C7412	F1H1H103A219	50V 0.01U	1	
C7804	F1H1H103A219	50V 0.01U	1	
C7807	F1H1H1000008	50V 10P	1 (EB)	
C7808	F1H1H1000008	50V 10P	1 (EB)	
C7810	F1H1H103A219	50V 0.01U	1	
C7812	F1H1H103A219	50V 0.01U	1	
C7813	F1H1H222A013	50V 2200P	1 (EG)	
C7814	F1H1H390A004	50V 39P	1 (EB)	
C7815	F1H1H390A004	50V 39P	1 (EB)	
C7815	F1H1H680A004	50V 68P	1 (EG)	
C7816	F1H1C104A071	16V 0.1U	1	
C7817	F1H1C104A071	16V 0.1U	1 (EG)	
C7818	F1H1C104A071	16V 0.1U	1 (EG)	
C7820	F1H1H103A219	50V 0.01U	1	
C7821	F1H1H103A219	50V 0.01U	1 (EG)	
C7821	F1H1H271A004	50V 270P	1 (EB)	
C7822	F1H1H681A004	50V 680P	1 (EG)	
C7823	F1J1H220A002	50V 22P	1	
C7824	F1H1H220A004	50V 22P	1	
C7826	F1H1H222A013	50V 2200P	1 (EB)	
C7827	F1H1H221A004	50V 220P	1	
C7830	F1H1H680A004	50V 68P	1 (EG)	
C7841	F1H1H101A004	50V 100P	1 (EG)	
C7842	F1H1H103A219	50V 0.01U	1 (EG)	
D2001	B0AACK000004	DIODE	1	E.S.D.
D2002	B0AACK000004	DIODE	1	E.S.D.

Ref.No.	Part No.	Part Name & Description	Pcs	Remarks	Ref.No.	Part No.	Part Name & Description	Pcs	Remarks
D2502	B0BA01600007	DIODE	1	E.S.D.	LB7403	J0JHC0000032	COIL	1	
D3901	B0AACK000004	DIODE	1	E.S.D.	LB7801	J0JGC0000063	COIL	1	
D4501	B0AACK000004	DIODE	1	E.S.D.	LB7802	J0JGC0000063	COIL	1	(EG)
D4502	B0BA5R700008	DIODE	1	E.S.D.	LB7803	J0JGC0000063	COIL	1	
D4901	B0JCDD000001	DIODE	1	E.S.D.	LB7804	J0JBC0000134	COIL	1	(EG)
D6306	B0BA5R700008	DIODE	1	E.S.D.	LB7805	J0JBC0000134	COIL	1	
D6501	B3EA00000072	DIODE	1	E.S.D.					
D7801	B0BA03000015	DIODE	1	E.S.D.	P2501	K1MN07A00030	CONNECTOR(7P)	1	
D7802	B0JAMD000026	DIODE	1	(EG) E.S.D.	P2571	K1KA08A00355	CONNECTOR(8P)	1	
					P3001	K1MN09A00029	CONNECTOR(9P)	1	
IC2501	C1AB00001767	IC	1	E.S.D.	P4001	K1KB02A00035	CONNECTOR(2P)	1	
IC3001	C1AB00002084	IC	1	E.S.D.	P4002	K1MN06A00042	CONNECTOR(6P)	1	
IC3002	C0CBCDD00026	IC	1	E.S.D.	P6001	K1KB19AA0032	CONNECTOR(19P)	1	
IC3901	C1AB00003267	IC	1	E.S.D.	P6002	K1KB19AA0032	CONNECTOR(19P)	1	
IC3905	C1AB00001340	IC	1	E.S.D.	P6003	K1KB23A00004	CONNECTOR(23P)	1	
IC4501	AN3656NFBPBV	IC	1	E.S.D.	P6004	K1KB13AA0032	CONNECTOR(13P)	1	
IC6001	C2CBHF000476	IC	1	E.S.D.	P6531	K1KA02A00375	CONNECTOR(2P)	1	
IC6302	C0CBCDC00020	IC	1	E.S.D.	P7401	K1KA11AA0031	CONNECTOR(11P)	1	
IC6501	B3NA0A0000118	IC	1	E.S.D.	P7402	K1KA11AA0031	CONNECTOR(11P)	1	
IC6502	B3NA0A0000118	IC	1	E.S.D.					
IC7301	C1AB00002844	IC	1	(EG) E.S.D.	PS6002	K1KB12B00047	CONNECTOR(12P)	1	
IC7302	C0EBE0000366	IC	1	(EG) E.S.D.					
IC7304	C0CBCAC00242	IC	1	(EG) E.S.D.	Q3002	B1ABDF000026	TRANSISTOR	1	E.S.D.
IC7401	C0CBCDC00052	IC	1	E.S.D.	Q3901	B1ADCF000172	TRANSISTOR	1	E.S.D.
IC7402	C0CBCDC00052	IC	1	E.S.D.	Q4001	B1ABCL000022	TRANSISTOR	1	E.S.D.
IC7403	C0DBGHD00011	IC	1	E.S.D.	Q4002	B1ABDF000026	TRANSISTOR	1	E.S.D.
IC7801	C0DBGYY00033	IC	1	(EG) E.S.D.	Q4003	B1ABHC000001	TRANSISTOR	1	E.S.D.
					Q4004	B1ADLB000006	TRANSISTOR	1	E.S.D.
JK3901	K1FB121B0018	JACK, (AV1)	1		Q4501	B1AAGD000016	TRANSISTOR	1	E.S.D.
JK3902	K1FB121B0018	JACK, (AV2)	1		Q4502	B1ADLB000006	TRANSISTOR	1	E.S.D.
JK4901	K2HA306B0081	JACK, (VIDEO/AUDIO OUT)	1		Q4901	B1ADLB000006	TRANSISTOR	1	E.S.D.
					Q6102	B1ABDF000026	TRANSISTOR	1	E.S.D.
K2597	ERJ3GEY0R00V	1/10W 0	1		Q6103	B1ABDF000026	TRANSISTOR	1	E.S.D.
K4001	ERJ3GEY0R00V	1/10W 0	1		Q6104	B1ADCF000172	TRANSISTOR	1	E.S.D.
K7401	J0JDC0000092	COIL	1		Q6305	B1ABDF000033	TRANSISTOR	1	E.S.D.
K7402	ERJ3GEY0R00V	1/10W 0	1		Q6501	PNB2303M01VT	TRANSISTOR	1	E.S.D.
K7809	ERJ3GEY0R00V	1/10W 0	1	(EG)	Q6502	PNB2303M01VT	TRANSISTOR	1	E.S.D.
					Q7802	B1ABDF000026	TRANSISTOR	1	(EG) E.S.D.
L3001	G0C820JA0019	COIL	1		Q7803	B1ABDF000026	TRANSISTOR	1	(EG) E.S.D.
L3002	G0C270JA0019	COIL 27UH	1						
L3003	G0C390JA0019	COIL	1		QR4004	B1GDCFJ00037	TRANSISTOR	1	E.S.D.
L3004	G0C680JA0019	COIL 68UH	1		QR4005	B1GBCFNN0041	TRANSISTOR	1	E.S.D.
L3006	G0C270JA0019	COIL 27UH	1		QR4501	B1GBCFJ00040	TRANSISTOR	1	E.S.D.
L3007	ELJFA120KFB	COIL	1		QR4901	B1GBCFJ00040	TRANSISTOR	1	E.S.D.
L4001	G0C221KA0073	COIL 220UH	1		QR4911	B1GDCFNN0024	TRANSISTOR	1	E.S.D.
L4502	G0C1R2J00004	COIL 1.2UH	1		QR4912	B1GBCFGA0027	TRANSISTOR	1	E.S.D.
L4503	G0C101JA0019	COIL 100UH	1		QR4913	B1GBCFGA0027	TRANSISTOR	1	E.S.D.
L5001	G0C680JA0019	COIL 68UH	1						
L6103	G0C1R5JA0019	COIL 1.5UH	1		R2001	ERJ3GEYJ392V	1/10W 3.9K	1	
L6105	G0C680JA0019	COIL 68UH	1		R2002	ERJ3GEYJ105V	1/10W 1M	1	
L7301	G0C2R2JA0019	COIL 2.2UH	1	(EG)	R2099	ERJ3GEYJ682V	1/10W 6.8K	1	
L7801	G0C100JA0019	COIL 10UH	1	(EG)	R2501	ERJ6GEYJ1R2V	1/8W 1.2	1	
L7802	G1CR56JA0020	COIL 56UH	1		R2502	ERJ6GEYJ1R5V	1/8W 1.5	1	
L7803	G1CR56JA0020	COIL 56UH	1		R2503	ERDS2TJ103T	1/4W 10K	1	
					R2514	ERJ3GEYJ221V	1/10W 220	1	
LB3901	J0JGC0000020	COIL	1		R2515	ERJ3GEYJ221V	1/10W 220	1	
LB4002	J0JBC0000070	COIL	1		R2516	ERJ3GEYJ221V	1/10W 220	1	
LB4003	J0JBC0000070	COIL	1		R2520	ERJ3GEYJ183V	1/10W 18K	1	
LB4101	J0JBC0000041	COIL	1		R2521	ERJ3GEYJ102V	1/10W 1K	1	
LB4102	J0JHC0000021	COIL	1		R2551	ERJ3GEYJ103V	1/10W 10K	1	
LB4103	J0JBC0000011	COIL	1		R2552	ERJ3GEYJ103V	1/10W 10K	1	
LB4104	J0JBC0000011	COIL	1		R2561	ERJ3GEYJ102V	1/10W 1K	1	
LB4105	J0JBC0000011	COIL	1		R2562	ERJ3GEYJ473V	1/10W 47K	1	
LB4106	J0JBC0000011	COIL	1		R2563	ERJ3GEYJ102V	1/10W 1K	1	
LB4901	J0JGC0000020	COIL	1		R2564	ERJ3GEYJ101V	1/10W 100	1	
LB4906	ERJ3GEY0R00V	1/10W 0	1		R2565	ERJ3GEYJ101V	1/10W 100	1	
LB4963	J0JCC0000103	COIL	1		R3001	ERJ3GEYJ152V	1/10W 1.5K	1	
LB4965	J0JCC0000103	COIL	1		R3002	ERJ3GEYJ622V	1/10W 6.2K	1	
LB6002	J0JHC0000032	COIL	1		R3003	ERJ3GEYJ622V	1/10W 5.6K	1	
LB7301	ERJ6GEY0R00V	1/8W 0	1	(EG)	R3005	ERJ3GEYJ122V	1/10W 1.2K	1	
LB7302	J0JBC0000134	COIL	1	(EG)	R3008	ERJ3GEYJ106V	1/10W 10M	1	
LB7303	J0JBC0000134	COIL	1	(EG)	R3010	ERJ3GEYJ153V	1/10W 15K	1	
LB7304	J0JBC0000134	COIL	1	(EG)	R3013	ERJ3GEYJ101V	1/10W 100	1	
LB7305	J0JBC0000134	COIL	1	(EG)	R3014	ERJ3GEYJ101V	1/10W 100	1	
LB7306	J0JBC0000134	COIL	1	(EG)	R3015	ERJ3GEYJ273V	1/10W 27K	1	
LB7401	J0JHC0000032	COIL	1		R3016	ERJ3GEYJ471V	1/10W 470	1	
LB7402	J0JHC0000032	COIL	1		R3017	ERJ3GEYJ332V	1/10W 3.3K	1	

Ref.No.	Part No.	Part Name & Description	Pcs	Remarks
R3021	ERJ3GEYJ102V	1/10W 1K	1	
R3901	ERJ6GEYJ750V	1/8W 75	1	
R3902	ERJ3GEYJ750V	1/10W 75	1	
R3903	ERJ3GEYF750V	1/10W 75	1	
R3904	ERJ3GEYF750V	1/10W 75	1	
R3905	ERJ3GEYF750V	1/10W 75	1	
R3906	ERJ3GEYJ750V	1/10W 75	1	
R3907	ERDS2TJ221T	1/4W 220	1	
R3908	ERJ3GEYJ750V	1/10W 75	1	
R3909	ERJ3GEYJ750V	1/10W 75	1	
R3910	ERJ3GEYF750V	1/10W 75	1	
R3911	ERJ3GEYF750V	1/10W 75	1	
R3912	ERJ3GEYF750V	1/10W 75	1	
R3913	ERJ3GEYJ750V	1/10W 75	1	
R3916	ERJ3GEYJ101V	1/10W 100	1	
R3917	ERJ3GEYJ101V	1/10W 100	1	
R3919	ERJ3GEYJ332V	1/10W 3.3K	1	
R3920	ERJ3GEYJ103V	1/10W 10K	1	
R3921	ERJ3GEYJ682V	1/10W 6.8K	1	
R3922	ERJ3GEYJ332V	1/10W 3.3K	1	
R3923	ERJ3GEYJ332V	1/10W 3.3K	1	
R3931	ERJ3GEYJ104V	1/10W 100K	1	
R3965	ERJ3GEYJ750V	1/10W 75	1	
R4001	ERJ3GEYJ183V	1/10W 18K	1	(EG)
R4002	ERJ3GEYJ153V	1/10W 15K	1	
R4003	ERJ3GEYJ333V	1/10W 33K	1	(EG)
R4004	ERJ3GEYJ472V	1/10W 4.7K	1	
R4008	ERJ3GEYJ153V	1/10W 15K	1	
R4009	ERJ3GEYJ271V	1/10W 270	1	
R4011	ERJ3GEYJ183V	1/10W 18K	1	
R4012	ERJ3GEYJ474V	1/10W 470K	1	
R4013	ERJ3GEYJ153V	1/10W 15K	1	
R4014	ERJ3GEYJ103V	1/10W 10K	1	
R4015	ERJ3GEYJ332V	1/10W 3.3K	1	
R4016	ERJ3GEYJ222V	1/10W 2.2K	1	
R4017	ERJ3GEYJ222V	1/10W 2.2K	1	
R4018	ERJ6GEYJ102V	1/8W 1K	1	
R4019	ERJ6GEYJ102V	1/8W 1K	1	
R4101	ERJ3GEYJ102V	1/10W 1K	1	
R4102	ERJ3GEYJ102V	1/10W 1K	1	
R4103	ERJ3GEYJ102V	1/10W 1K	1	
R4104	ERJ3GEYJ102V	1/10W 1K	1	
R4508	ERJ3GEYJ912V	1/10W 9.1K	1	
R4509	ERJ3GEYJ472V	1/10W 4.7K	1	
R4511	ERJ3GEYJ912V	1/10W 9.1K	1	
R4512	ERJ3GEYJ472V	1/10W 4.7K	1	
R4513	ERJ3GEYJ563V	1/10W 56K	1	
R4514	ERJ3GEYJ563V	1/10W 56K	1	
R4515	ERJ3GEYJ683V	1/10W 68K	1	
R4516	ERJ3GEYJ683V	1/10W 68K	1	
R4517	ERJ3GEYJ511V	1/10W 510	1	
R4518	ERJ3GEYJ472V	1/10W 4.7K	1	
R4519	ERJ3GEYJ472V	1/10W 4.7K	1	
R4520	ERJ3GEYJ821V	1/10W 820	1	
R4521	ERJ3GEYJ124V	1/10W 120K	1	
R4522	ERJ3GEYJ472V	1/10W 4.7K	1	
R4523	ERJ3GEYJ511V	1/10W 510	1	
R4524	ERJ3GEYJ102V	1/10W 1K	1	
R4525	ERJ3GEYJ333V	1/10W 33K	1	
R4526	ERJ3GEYJ102V	1/10W 1K	1	
R4527	ERJ3GEYJ102V	1/10W 1K	1	
R4528	ERJ3GEYJ472V	1/10W 4.7K	1	
R4532	ERJ3GEYJ681V	1/10W 680	1	
R4555	ERDS2TJ821T	1/4W 820	1	
R4559	ERJ3GEYJ393V	1/10W 39K	1	
R4560	ERJ3GEYJ682V	1/10W 6.8K	1	
R4901	ERJ3GEYJ473V	1/10W 47K	1	
R4902	ERJ3GEYJ473V	1/10W 47K	1	
R4903	ERJ3GEYJ332V	1/10W 3.3K	1	
R4904	ERJ3GEYJ223V	1/10W 22K	1	
R4905	ERJ3GEYJ332V	1/10W 3.3K	1	
R4908	ERJ3GEYJ471V	1/10W 470	1	
R4909	ERJ3GEYJ471V	1/10W 470	1	
R4910	ERJ3GEYJ471V	1/10W 470	1	
R4911	ERJ3GEYJ471V	1/10W 470	1	
R4914	ERJ3GEYJ473V	1/10W 47K	1	
R4915	ERJ3GEYJ473V	1/10W 47K	1	

Ref.No.	Part No.	Part Name & Description	Pcs	Remarks
R4916	ERJ3GEYJ103V	1/10W 10K	1	
R4917	ERJ3GEYJ103V	1/10W 10K	1	
R4918	ERJ3GEYJ103V	1/10W 10K	1	
R4919	ERJ3GEYJ103V	1/10W 10K	1	
R4922	ERJ3GEYJ471V	1/10W 470	1	
R4927	ERJ3GEYJ471V	1/10W 470	1	
R4930	ERJ3GEYJ473V	1/10W 47K	1	(EG)
R4931	ERJ3GEYJ473V	1/10W 47K	1	(EG)
R4932	ERJ3GEYJ823V	1/10W 82K	1	
R4933	ERJ3GEYJ102V	1/10W 1K	1	
R4934	ERJ3GEYJ823V	1/10W 82K	1	
R4935	ERJ3GEYJ102V	1/10W 1K	1	
R4950	ERJ3GEYJ101V	1/10W 100	1	
R4952	ERJ3GEYJ101V	1/10W 100	1	
R6001	ERJ3GEYJ102V	1/10W 1K	1	
R6002	ERJ3GEYJ102V	1/10W 1K	1	
R6003	ERJ3GEYJ101V	1/10W 100	1	
R6004	ERJ3GEYJ101V	1/10W 100	1	
R6005	ERJ3GEYJ102V	1/10W 1K	1	
R6006	ERJ3GEYJ273V	1/10W 27K	1	
R6007	ERJ3GEYJ822V	1/10W 8.2K	1	
R6008	ERJ3GEYJ222V	1/10W 2.2K	1	
R6011	ERJ3GEYJ822V	1/10W 8.2K	1	
R6012	ERJ3GEYJ681V	1/10W 680	1	
R6013	ERJ3GEYJ221V	1/10W 220	1	
R6014	ERJ3GEYJ103V	1/10W 10K	1	
R6016	ERJ3GEYJ102V	1/10W 1K	1	
R6017	ERJ3GEYJ222V	1/10W 2.2K	1	
R6018	ERJ3GEYJ102V	1/10W 1K	1	
R6019	ERJ3GEYJ681V	1/10W 680	1	
R6022	ERJ3GEYJ221V	1/10W 220	1	
R6023	ERJ3GEYJ221V	1/10W 220	1	
R6024	ERJ3GEYJ102V	1/10W 1K	1	
R6025	ERJ3GEYJ221V	1/10W 220	1	
R6026	ERJ3GEYJ103V	1/10W 10K	1	
R6027	ERJ3GEYJ103V	1/10W 10K	1	
R6028	ERJ3GEYJ103V	1/10W 10K	1	
R6029	ERJ3GEYJ472V	1/10W 4.7K	1	
R6030	ERJ3GEYJ472V	1/10W 4.7K	1	
R6031	ERJ3GEYJ223V	1/10W 22K	1	
R6101	ERJ3GEYJ105V	1/10W 1M	1	
R6115	ERJ3GEYJ471V	1/10W 470	1	
R6117	ERJ3GEYJ181V	1/10W 180	1	
R6120	ERJ3GEYJ102V	1/10W 1K	1	
R6121	ERJ3GEYJ561V	1/10W 560	1	
R6122	ERJ3GEYJ561V	1/10W 560	1	
R6123	ERJ3GEYJ241V	1/10W 240	1	
R6131	ERJ3GEY0R00V	1/10W 0	1	
R6201	ERJ3GEYJ103V	1/10W 10K	1	
R6309	ERJ3GEYJ272V	1/10W 2.7K	1	
R6501	ERJ3GEYJ273V	1/10W 27K	1	
R6502	ERJ3GEYJ273V	1/10W 27K	1	
R6503	ERDS2TJ151T	1/4W 150	1	
R6511	ERJ3GEYJ273V	1/10W 27K	1	
R6512	ERJ3GEYJ273V	1/10W 27K	1	
R6513	ERJ6GEYJ121V	1/8W 120	1	
R7301	ERJ3GEYJ102V	1/10W 1K	1	(EG)
R7302	ERJ3GEYJ102V	1/10W 1K	1	(EG)
R7303	ERJ3GEYJ102V	1/10W 1K	1	(EG)
R7304	ERJ3GEYJ103V	1/10W 10K	1	(EG)
R7305	ERJ3GEYJ102V	1/10W 1K	1	(EG)
R7306	ERJ3GEYJ103V	1/10W 10K	1	(EG)
R7307	ERJ3GEYJ101V	1/10W 100	1	(EG)
R7308	ERJ3GEYJ101V	1/10W 100	1	(EG)
R7309	ERJ3GEYJ105V	1/10W 1M	1	(EG)
R7310	ERJ3GEYJ222V	1/10W 2.2K	1	(EG)
R7311	ERJ3GEYJ681V	1/10W 680	1	(EG)
R7802	ERDS2TJ102T	1/4W 1K	1	
R7804	ERJ3GEYJ471V	1/10W 470	1	
R7805	ERJ3GEYJ471V	1/10W 470	1	
R7811	ERJ3GEYJ472V	1/10W 4.7K	1	
R7812	ERJ3GEYJ155V	1/10W 1.5M	1	(EG)
R7813	ERJ3GEYJ473V	1/10W 47K	1	(EG)
R7814	ERJ3GEYJ473V	1/10W 47K	1	(EG)
R7815	ERJ3GEYJ334V	1/10W 330K	1	(EG)
R7816	ERJ3GEYJ563V	1/10W 56K	1	(EG)



Ref.No.	Part No.	Part Name & Description	Pcs	Remarks
IC38002	C0DBZHE00024	IC	1	E.S.D.
LB38003	J0JHC0000032	COIL	1	
LB38004	J0JHC0000045	COIL	1	
P38001	K1KA18A00106	CONNECTOR	1	
P38002	K1NA09E00099	SD CARD CONNECTOR	1	
P38003	K1FY104B0011	USB CONNECTOR(4P)	1	
R38002	ERJ3GEYJ220V	1/10W 22	1	
R38003	ERJ3GEYJ220V	1/10W 22	1	
R38004	ERJ3GEYJ101V	1/10W 100	1	
R38005	ERJ3GEYJ220V	1/10W 22	1	
R38006	ERJ3GEYJ220V	1/10W 22	1	
R38007	ERJ3GEYJ220V	1/10W 22	1	
R38008	ERJ3GEYJ220V	1/10W 22	1	
##	VEP73175A	HDMI P.C.B.		(RTL) E.S.D.
JK5601	K1FA119E0017	JACK, HDMI	1	
L5601	J0MAB0000235	COIL	1	
L5602	J0MAB0000235	COIL	1	
LB5601	J0JCC0000119	COIL	1	
LB5602	J0JCC0000119	COIL	1	
LB5603	J0JCC0000119	COIL	1	
LB5604	J0JCC0000119	COIL	1	
P5601	K1KA20B00155	CONNECTOR	1	
##	RFKB71174BT	DIGITAL IF P.C.B.		(RTL) E.S.D.
C4001	F1H1H102A004	50V 1000P	1	
C4002	F1H1H102A004	50V 1000P	1	
C4003	F1H1H102A004	50V 1000P	1	
C4004	F1H1H102A004	50V 1000P	1	
C7709	F1H1H104A748	50V 0.1U	1	
C7765	F2A1C2210095	16V 220U	1	
C7769	F1H1H392A013	50V 390U	1	
C7770	F2A1V560A387	35V 56U	1	
C7771	F2A1H100A454	50V 10U	1	
C7772	F2A1C121A453	16V 120U	1	
C7773	F2A1H100B034	50V 10U	1	
C9112	F1H1C104A071	16V 0.1U	1	
C9158	F1H1C104A071	16V 0.1U	1	
C9201	F1H1H221A004	50V 220P	1	
C9202	F1H1H221A004	50V 220P	1	
C9301	F1H1A105A028	10V 1U	1	
C9302	F1H1H103A219	50V 0.01U	1	
C9303	F1H1A105A028	10V 1U	1	
C9311	F1J1A475A023	10V 4.7U	1	
C9312	F1J1A475A023	10V 4.7U	1	
C9701	F1J0J475A008	6.3V 4.7U	1	
C9703	F1J1C1060001	16V 10U	1	
C9704	F1H1H103A219	50V 0.01U	1	
C9706	F2A0J101A825	6.3V 100U	1	
C9707	F1H1C104A071	16V 0.1U	1	
C9708	F1H1H103A219	50V 0.01U	1	
C9713	F1H1C104A071	16V 0.1U	1	
C9715	F1H1H103A219	50V 0.01U	1	
C9716	F1H1C104A071	16V 0.1U	1	
C9717	F1H1H103A219	50V 0.01U	1	
C9719	F1H1A105A028	10V 1U	1	
C9720	F1H1C104A071	16V 0.1U	1	
C9722	F1H1A105A028	10V 1U	1	
C9724	F1H1C104A071	16V 0.1U	1	
C9725	F1H1A105A028	10V 1U	1	
C9726	F1H1C104A071	16V 0.1U	1	
C9727	F2A1C121A453	16V 120U	1	
C9730	F1H1A105A028	10V 1U	1	
C9733	F1H1H101A004	50V 100P	1	

Ref.No.	Part No.	Part Name & Description	Pcs	Remarks
C9735	F1H1H103A219	50V 0.01U	1	
C9736	F1H1H103A219	50V 0.01U	1	
C9737	F4D55473A013	5.5V 0.047	1	
C9738	F1H1H1800004	50V 18P	1	
C9739	F1H1H1800004	50V 18P	1	
C9741	F1H1C104A071	16V 0.1U	1	
C9742	F1H1H1800004	50V 18P	1	
C9745	F1H1H1800004	50V 18P	1	
C9747	F1H1C104A071	16V 0.1U	1	
C9748	F1H1C104A071	16V 0.1U	1	
C9749	F1H1C104A071	16V 0.1U	1	
C9750	F1H1C104A071	16V 0.1U	1	
C9752	F1H1H4700006	50V 47P	1	
C9753	F1H1H4700006	50V 47P	1	
C9754	F1H1C104A071	16V 0.1U	1	
C9756	F1H1H101A004	50V 100P	1	
C9757	F1J0J475A008	6.3V 4.7U	1	
C9759	F2A1C100A720	16V 10U	1	
C9761	F1J1C1060001	16V 10U	1	
C9766	F1H1C104A071	16V 0.1U	1	
C9768	F2A1C470A722	16V 47U	1	
C9771	F1H1A105A028	10V 1U	1	
C9772	F1H1A105A028	10V 1U	1	
C9778	F1H1H103A219	50V 0.01U	1	
C9779	F1H1H103A219	50V 0.01U	1	
C9780	F1H1H103A219	50V 0.01U	1	
C9781	F1H1H103A219	50V 0.01U	1	
C9785	F2A1E470A205	25V 47U	1	
C9793	F1H1H103A219	50V 0.01U	1	
C9794	F1H1H103A219	50V 0.01U	1	
C9795	F1H1H103A219	50V 0.01U	1	
C10101	F1H1H221A004	50V 220P	1	
△ C11120	F0CAF104A021	100V 0.1P	1	
△ C11121	F0CAF683A021	100V 0.068P	1	
△ C11122	F1B2G1020002	400V 1000P	1	
△ C11123	F1B2G1020002	400V 1000P	1	
△ C11124	F1B2G2220001	400V 2200P	1	
C11143	F2B2W6800005	400V 68U	1	
C11150	F2A1E2210067	25V 220	1	
C11151	F1B3D681A011	2000V 680P	1	
C11152	F1H1H151A004	50V 150P	1	
C11153	F1H1H222A013	50V 2200P	1	
C11154	F1H1H102A004	50V 1000P	1	
C11160	F1B3A2220009	1000V 2200U	1	
C11200	F1H1C104A071	16V 0.1U	1	
C11201	F1H1C104A071	16V 0.1U	1	
C11270	F2A1C1520021	16V 1500U	1	
C11271	F2A1C1520021	16V 1500U	1	
C11272	F2A1C1020095	16V 1000U	1	
C11273	F1H1C105A095	16V 1U	1	
C11274	F2A1C330B101	16V 33U	1	
C11275	F1H1A105A028	10V 1U	1	
C11276	F1H1A105A028	10V 1U	1	
C11277	F2A1A470A863	10V 47P	1	
C11370	F2A1A4700041	10V 47U	1	
C11371	F1H1C104A071	16V 0.1U	1	
C11372	F2A1A4700041	10V 47U	1	
C11701	F1J1C1060001	16V 10U	1	
C11702	F1J1C1060001	16V 10U	1	
C11703	F1H1C104A071	16V 0.1U	1	
C11704	F1H1C104A071	16V 0.1U	1	
C11705	F1H1H682A013	50V 6800P	1	
C11707	F1H1H103A219	50V 0.01U	1	
C11708	F2A1A6810022	10V 680U	1	
C11750	F1J0J106A020	6.3V 10U	1	
C11751	F1J0J106A020	6.3V 10U	1	
C11753	F2A1C1210022	16V 120P	1	
C14301	F1J1C1060001	16V 10U	1	
C14302	F1J1C1060001	16V 10U	1	
C14303	F1H1C104A071	16V 0.1U	1	
C14304	F1H1H332A013	50V 3300P	1	
C14305	F1H1C104A071	16V 0.1U	1	
C14307	F1H1C104A071	16V 0.1U	1	
C14312	F2A1C1210022	16V 120P	1	
C14315	F2A1A6810022	10V 680U	1	
C14316	F1J1C1060001	16V 10U	1	

Ref.No.	Part No.	Part Name & Description	Pcs	Remarks	Ref.No.	Part No.	Part Name & Description	Pcs	Remarks
D7701	B0BA03600021	DIODE	1	E.S.D.	LB9720	J0JDC0000092	COIL	1	
D7704	B0BA02100001	DIODE	1	E.S.D.	LB11124	J0JHC0000048	COIL	1	
D7705	B0AADM000003	DIODE	1	E.S.D.	LB11150	ERJ6GEY0R00V	1/8W 0	1	
D7706	B0AADM000003	DIODE	1	E.S.D.	LB11701	J0JHC0000048	COIL	1	
D7707	B0JAMD000026	DIODE	1	E.S.D.	LB14301	ERJ6GEY0R00V	1/8W 0	1	
D7708	B0BA01700031	DIODE	1	E.S.D.					
D7710	B0ACCE000003	DIODE	1	E.S.D.	P9101	K1KA19A00007	CONNECTOR(19P)	1	
D9101	B0ADCH000007	DIODE	1	E.S.D.	P9102	K1KA19A00007	CONNECTOR(19P)	1	
D9202	B0ACCK000005	DIODE	1	E.S.D.	P9103	K1KY23AA0606	CONNECTOR(23P)	1	
D9702	B0JACE000005	DIODE	1	E.S.D.	P9104	K1KA13A00074	CONNECTOR(13P)	1	
D10101	B0ACCK000005	DIODE	1	E.S.D.	P9701	K1KA03AA0301	CONNECTOR(3P)	1	
D10102	B0ACCK000005	DIODE	1	E.S.D.	P9703	K1KA88A00003	CONNECTOR(88P)	1	
D11101	B0EBKR000032	DIODE	1	E.S.D.	P9705	K1KA06AA0188	CONNECTOR(6P)	1	
D11151	B0HAGM000006	DIODE	1	E.S.D.	P9707	K1KA04AA0301	CONNECTOR(4P)	1	
D11152	B0BC01000014	DIODE	1	E.S.D.	△ P11101	K2AA2B000017	AC INLET	1	
D11153	B0HADV000001	DIODE	1	E.S.D.					
D11155	B0BC03200002	DIODE	1	E.S.D.	PS9701	K1KB20B00040	CONNECTOR	1	
D11156	B0ACCK000005	DIODE	1	E.S.D.					
D11157	B0BA01600007	DIODE	1	E.S.D.	Q7702	B1ADLB000006	TRANSISTOR	1	E.S.D.
D11160	B0HADV000001	DIODE	1	E.S.D.	Q7710	B1BABK000001	TRANSISTOR	1	E.S.D.
D11270	B0JBSG000053	DIODE	1	E.S.D.	Q9106	B1ABDF000033	TRANSISTOR	1	E.S.D.
D11701	B0JCMD000014	DIODE	1	E.S.D.	Q9202	B1ABDF000026	TRANSISTOR	1	E.S.D.
D11702	B0JCMD000014	DIODE	1	E.S.D.	Q9203	B1ABDF000026	TRANSISTOR	1	E.S.D.
D14301	B0JCMD000014	DIODE	1	E.S.D.	Q9204	B1ABDF000026	TRANSISTOR	1	E.S.D.
D14302	B0JCMD000014	DIODE	1	E.S.D.	Q9701	B1ADCF000172	TRANSISTOR	1	E.S.D.
					Q9702	B1ABDF000026	TRANSISTOR	1	E.S.D.
△ F11101	K5G202Y00006	FUSE	1		Q9703	B1ABDF000026	TRANSISTOR	1	E.S.D.
					Q9704	B1ADGG000004	TRANSISTOR	1	E.S.D.
IC9301	C0DBGHD00011	IC	1	E.S.D.	Q9705	B1ADCF000172	TRANSISTOR	1	E.S.D.
IC9700	B3ZAZ0000016	IC	1	E.S.D.	Q9706	B1ABDF000026	TRANSISTOR	1	E.S.D.
IC9701	C2CBY000846	IC	1	E.S.D.	Q10101	B1ABDF000033	TRANSISTOR	1	E.S.D.
IC9702	C0EBE0000194	IC	1	E.S.D.	△ Q10102	B3PBA0000454	TRANSISTOR	1	E.S.D.
IC9703	C0EBK0000206	IC	1	E.S.D.	△ Q11200	B3PBA0000454	TRANSISTOR	1	E.S.D.
IC9705	RFKFM4016KT	IC	1	E.S.D.	Q11270	B1CHQD000010	TRANSISTOR	1	E.S.D.
IC9706	C0EBE0000457	IC	1	E.S.D.	Q11271	B1CHQD000010	TRANSISTOR	1	E.S.D.
IC9707	C0EBK0000206	IC	1	E.S.D.	Q11700	B1D HDD000022	TRANSISTOR	1	E.S.D.
IC9708	C0DBGY00700	IC	1	E.S.D.	Q14301	B1D HDD000022	TRANSISTOR	1	E.S.D.
IC11150	C0DACZH00017	IC	1	E.S.D.	Q14302	B1CFRD000023	TRANSISTOR	1	E.S.D.
IC11201	C0DBZMC00006	IC	1	E.S.D.					
IC11370	C0DAEYH00002	IC	1	E.S.D.	QR7701	B1GBCFLL0043	TRANSISTOR	1	E.S.D.
IC11700	C0DBAZZ00132	IC	1	E.S.D.	QR9101	B1GBCFEN0015	TRANSISTOR	1	E.S.D.
IC11750	C0DBEYG00002	IC	1	E.S.D.	QR9703	B1GBCFNA0030	TRANSISTOR	1	E.S.D.
IC14301	C0DBAYY00624	IC	1	E.S.D.	QR9705	B1GBCFNN0043	TRANSISTOR	1	E.S.D.
					QR9706	B1GBCFNN0043	TRANSISTOR	1	E.S.D.
△ IP7701	K5H751Z00003	IC PROTECTOR	1		QR10103	B1GBCFNN0041	TRANSISTOR	1	E.S.D.
△ IP9102	ERBSE0R50U	IC PROTECTOR	1		QR11200	B1GBCFNN0041	TRANSISTOR	1	E.S.D.
					QR11270	B1GBCFNN0041	TRANSISTOR	1	E.S.D.
K9703	ERJ3GEY0R00V	1/10W 0	1		QR11271	B1GBCFNN0041	TRANSISTOR	1	E.S.D.
K9704	ERJ3GEY0R00V	1/10W 0	1		QR11700	B1GBCFNN0041	TRANSISTOR	1	E.S.D.
					QR11701	B1GBCFNN0041	TRANSISTOR	1	E.S.D.
L7701	G0C390JA0055	COIL 39UH	1						
L9105	G0C680JA0019	COIL 68UH	1		R7701	ERJ3GEYJ562V	1/10W 5.6K	1	
L9701	G0C100K00043	COIL 10UH	1		R7702	ERJ3GEYJ470V	1/10W 47	1	
L9703	G0C100K00043	COIL 10UH	1		R7703	ERJ3GEYJ473V	1/10W 47K	1	
△ L11120	G0B233D00005	COIL	1		R7704	ERDS2TJ271T	1/4W 270	1	
△ L11121	G0B233D00005	COIL	1		R7710	ERJ3GEYJ332V	1/10W 3.3K	1	
L11270	G0A100H00025	COIL 10UH	1		R7711	ERJ3GEYJ332V	1/10W 3.3K	1	
L11701	G0A100ZA0045	COIL	1		R7761	ERJ3GEYJ473V	1/10W 47K	1	
L11702	G0C100K00043	COIL 10UH	1		R9103	ERJ3GEYJ223V	1/10W 22K	1	
L11703	G0C100K00043	COIL 10UH	1		R9132	ERJ3GEYJ220V	1/10W 22	1	
L14301	G0C100K00043	COIL 10UH	1		R9143	ERJ3RBD432V	1/16W 4.3K	1	
L14302	G0A100ZA0045	COIL	1		R9144	ERJ3RBD912V	1/16W 9.1K	1	
L14303	G0C100K00043	COIL 10UH	1		R9201	ERJ3GEYJ221V	1/10W 220	1	
					R9205	ERJ3GEYJ223V	1/10W 22K	1	
LB9700	J0JCC0000103	COIL	1		R9207	ERJ3GEYJ153V	1/10W 15K	1	
LB9701	J0JHC0000032	COIL	1		R9208	ERJ3GEYJ104V	1/10W 100K	1	
LB9702	J0JCC0000103	COIL	1		R9209	ERJ3GEYJ104V	1/10W 100K	1	
LB9703	J0JCC0000103	COIL	1		R9210	ERJ3GEYJ224V	1/10W 220K	1	
LB9704	J0JKB0000012	COIL	1		R9211	ERJ3GEYJ225V	1/10W 2.2M	1	
LB9705	J0JYC0000070	COIL	1		R9212	ERJ3GEYJ273V	1/10W 27K	1	
LB9706	J0JYC0000070	COIL	1		R9213	ERJ3GEYJ473V	1/10W 47K	1	
LB9707	J0JCC0000103	COIL	1		R9214	ERJ3GEYJ472V	1/10W 4.7K	1	
LB9711	J0JKB0000012	COIL	1		R9310	ERJ3GEYJ473V	1/10W 47K	1	
LB9712	J0JKB0000012	COIL	1		R9311	ERJ3GEYJ473V	1/10W 47K	1	
LB9713	J0JCC0000103	COIL	1		R9312	ERJ3GEYJ821V	1/10W 820	1	
LB9714	J0JCC0000103	COIL	1		R9313	ERJ3GEYJ821V	1/10W 820	1	
LB9718	J0JHC0000045	COIL	1		R9314	ERJ3GEYJ821V	1/10W 820	1	

Ref.No.	Part No.	Part Name & Description	Pcs	Remarks
R9315	ERJ3GEYJ821V	1/10W 820	1	
R9701	ERJ3GEYJ103V	1/10W 10K	1	
R9702	ERJ3GEYJ103V	1/10W 10K	1	
R9703	ERJ3GEYJ101V	1/10W 100	1	
R9704	ERJ3GEYJ102V	1/10W 1K	1	
R9705	ERJ3GEYJ101V	1/10W 100	1	
R9706	ERJ3GEYF562V	1/10W 5.6K	1	
R9707	ERJ3GEYJ101V	1/10W 100	1	
R9708	ERJ3GEYJ102V	1/10W 1K	1	
R9709	ERJ3GEYJ472V	1/10W 4.7K	1	
R9710	ERJ3RBD333V	1/16W 33K	1	
R9711	ERJ3GEYJ474V	1/10W 470K	1	
R9712	ERJ3GEYJ153V	1/10W 15K	1	
R9713	ERJ3GEYJ101V	1/10W 100	1	
R9714	ERJ3GEYJ101V	1/10W 100	1	
R9715	ERJ3GEYJ101V	1/10W 100	1	
R9716	ERJ3GEYJ101V	1/10W 100	1	
R9717	ERJ3GEYJ104V	1/10W 100K	1	
R9718	ERJ3RBD183V	1/16W 18K	1	
R9720	ERJ3GEYJ101V	1/10W 100	1	
R9721	ERJ3GEYJ101V	1/10W 100	1	
R9722	ERJ3GEYJ101V	1/10W 100	1	
R9724	ERJ3GEYJ101V	1/10W 100	1	
R9725	ERJ3GEYJ473V	1/10W 47K	1	
R9726	ERJ3GEYJ101V	1/10W 100	1	
R9727	ERJ3GEYJ101V	1/10W 100	1	
R9728	ERJ3GEYJ101V	1/10W 100	1	
R9729	ERJ3GEYJ101V	1/10W 100	1	
R9730	ERJ3GEYF152V	1/10W 1.5K	1	
R9731	ERJ3GEYJ101V	1/10W 100	1	
R9736	ERJ3GEYJ473V	1/10W 47K	1	
R9738	ERJ3GEYJ473V	1/10W 47K	1	
R9739	ERJ3GEYJ104V	1/10W 100K	1	
R9741	ERJ3GEYJ181V	1/10W 180	1	
R9742	ERJ3GEYJ101V	1/10W 100	1	
R9744	ERJ3GEYJ101V	1/10W 100	1	
R9745	ERJ3GEYJ101V	1/10W 100	1	
R9747	ERJ3GEYJ101V	1/10W 100	1	
R9749	ERJ3GEYJ101V	1/10W 100	1	
R9750	ERJ3GEYJ101V	1/10W 100	1	
R9753	ERJ3GEYG393V	1/10W 39K	1	
R9754	ERJ3GEYG433V	1/10W 43K	1	
R9756	ERJ3GEYJ822V	1/10W 8.2K	1	
R9757	ERJ3GEYJ822V	1/10W 8.2K	1	
R9758	ERJ3GEYJ822V	1/10W 8.2K	1	
R9759	ERJ3GEYJ472V	1/10W 4.7K	1	
R9760	ERJ3GEYJ472V	1/10W 4.7K	1	
R9761	ERJ3GEYJ101V	1/10W 100	1	
R9764	ERJ3GEYJ101V	1/10W 100	1	
R9765	ERJ3GEYJ563V	1/10W 56K	1	
R9766	ERJ3GEYJ101V	1/10W 100	1	
R9767	ERJ3GEY0R00V	1/10W 0	1	
R9768	ERJ3GEYJ681V	1/10W 680	1	
R9769	ERJ3GEYJ101V	1/10W 100	1	
R9770	ERJ3GEYJ221V	1/10W 220	1	
R9771	ERJ3GEYJ221V	1/10W 220	1	
R9772	ERJ3GEYJ101V	1/10W 100	1	
R9773	ERJ3GEYJ202V	1/10W 2K	1	
R9774	ERJ3GEYJ202V	1/10W 2K	1	
R9775	ERJ3GEYJ473V	1/10W 47K	1	
R9776	ERJ3GEYJ101V	1/10W 100	1	
R9777	ERJ3GEYJ101V	1/10W 100	1	
R9779	ERJ3GEYJ392V	1/10W 3.9K	1	
R9780	ERJ3GEYJ102V	1/10W 1K	1	
R9781	ERJ3GEYJ104V	1/10W 100K	1	
R9783	ERJ3GEYJ104V	1/10W 100K	1	
R9784	ERJ3GEYJ101V	1/10W 100	1	
R9785	ERJ3GEYF153V	1/10W 15K	1	
R9786	ERJ3GEYJ101V	1/10W 100	1	
R9788	ERJ3GEYJ153V	1/10W 15K	1	
R9789	ERJ3GEYJ101V	1/10W 100	1	
R9790	ERJ3GEYJ101V	1/10W 100	1	
R9792	ERJ3RBD222V	1/16W 2.2K	1	
R9793	ERJ3RBD242V	1/16W 2.4K	1	
R9795	ERJ3GEY0R00V	1/10W 0	1	
R9796	ERJ3GEYJ472V	1/10W 4.7K	1	
R9798	ERJ3GEYJ472V	1/10W 4.7K	1	

Ref.No.	Part No.	Part Name & Description	Pcs	Remarks
R9799	ERJ3GEYJ103V	1/10W 10K	1	
R9800	ERJ3GEYJ101V	1/10W 100	1	
R9801	ERJ3GEYJ101V	1/10W 100	1	
R9802	ERJ3GEYJ101V	1/10W 100	1	
R9803	ERJ3GEYJ101V	1/10W 100	1	
R9810	ERJ3GEYJ472V	1/10W 4.7K	1	
R9811	ERJ3GEYJ472V	1/10W 4.7K	1	
R9814	ERJ3GEYJ101V	1/10W 100	1	
R9815	ERJ3GEYJ101V	1/10W 100	1	
R9816	ERJ3GEYJ101V	1/10W 100	1	
R9824	ERJ3GEYJ101V	1/10W 100	1	
R9825	ERJ3GEYJ101V	1/10W 100	1	
R9829	ERJ3GEYJ472V	1/10W 4.7K	1	
R9834	ERJ3GEYJ331V	1/10W 330	1	
R9835	ERJ3GEYJ331V	1/10W 330	1	
R9842	ERJ3GEY0R00V	1/10W 0	1	
R9843	ERJ3GEY0R00V	1/10W 0	1	
R10101	ERJ3GEYJ104V	1/10W 100K	1	
R10102	ERJ3GEYJ104V	1/10W 100K	1	
R10104	ERJ3GEYJ562V	1/10W 5.6K	1	
R10106	ERJ3GEYJ684V	1/10W 680K	1	
R10110	ERJ3GEYJ224V	1/10W 220K	1	
R1101	D0BF565JA030	METAL FILM RESISTOR	1	
R1150	ERJ6GEYJ270V	1/8W 270K	1	
R1151	ERJ3GEYJ123V	1/10W 12K	1	
R1152	ERJ3GEYJ682V	1/10W 6.8K	1	
R1153	ERJ6GEYJ270V	1/8W 270K	1	
R1154	ERJ3RBD113V	1/16W 11K	1	
R1156	ERJ3RBD223V	1/16W 22K	1	
R1158	ERDS2TJ471T	1/4W 470	1	
R1159	ERX2SJR22E	2W 0.22	1	
R1161	ERG2SJ473E	10W 47K	1	
R1162	ERG2SJ473E	10W 47K	1	
R1163	ERG1SJ222E	1W 2.2K	1	
R11200	ERJ3RBD331V	1/16W 330	1	
R11201	ERJ3RBD183V	1/16W 18K	1	
R11206	ERJ3RBD472V	1/16W 4.7K	1	
R11207	ERJ3GEYJ222V	1/10W 2.2K	1	
R11208	ERJ3GEYJ222V	1/10W 2.2K	1	
R11209	ERJ3GEYJ102V	1/10W 1K	1	
R11210	ERJ3GEYJ102V	1/10W 1K	1	
R11270	ERJ3GEYJ223V	1/10W 22K	1	
R11271	ERJ3GEYJ223V	1/10W 22K	1	
R11272	ERJ3GEYJ822V	1/10W 8.2K	1	
R11273	ERJ3GEYJ823V	1/10W 82K	1	
R11274	ERDS2TJ102T	1/4W 1K	1	
R11370	ERJ3RBD152V	1/16W 1.5K	1	
R11371	ERJ3RBD393V	1/16W 39K	1	
R11372	ERJ3RBD113V	1/16W 11K	1	
R11700	ERJ3GEYJ103V	1/10W 10K	1	
R11701	ERJ3GEYJ333V	1/10W 33K	1	
R11702	D1BDR039A101	1/3W 0.039	1	
R11703	ERJ3RBD821V	1/16W 820	1	
R11704	ERJ3RBD103V	1/16W 10K	1	
R11705	ERJ3RBD472V	1/16W 4.7K	1	
R11706	ERJ3GEYJ471V	1/10W 470	1	
R11707	ERJ3GEYJ272V	1/10W 2.7K	1	
R11750	ERJ3RBD681V	1/16W 680	1	
R11751	ERJ3RBD152V	1/16W 1.5K	1	
R11752	ERJ3RBD102V	1/16W 1K	1	
R14301	ERJ3GEY0R00V	1/10W 0	1	
R14302	ERJ3GEYJ333V	1/10W 33K	1	
R14303	ERJ3GEYJ563V	1/10W 56K	1	
R14304	ERJ3RBD273V	1/16W 27K	1	
R14305	ERJ3RED474V	1/16W 470K	1	
R14306	D1BDR027A101	2W 0.027U	1	
R14307	ERJ3RBD273V	1/16W 27K	1	
R14308	ERJ3RED474V	1/16W 470K	1	
R14309	ERJ3RBD682V	1/16W 6.8K	1	
R14310	ERJ3RED204V	1/16W 200K	1	
R14311	ERJ3RBD243V	1/16W 24K	1	
R14312	ERJ3GEYJ562V	1/10W 5.6K	1	
T7701	G4D1A0000117	TRANSFORMER	1	
△ T1150	G4DYA0000213	TRANSFORMER	1	
△ VA11110	ERZV10D471C2	VARISTOR	1	

Ref.No.	Part No.	Part Name & Description	Pcs	Remarks	Ref.No.	Part No.	Part Name & Description	Pcs	Remarks
W501	ERJ6GEY0R00V	1/8W 0	1		D7502	B3ACA0000273	DIODE	1	E.S.D.
W502	ERJ6GEY0R00V	1/8W 0	1		D7503	B3ADA0000173	DIODE	1	E.S.D.
W503	ERJ6GEY0R00V	1/8W 0	1		D7504	B3AAA0000752	DIODE	1	E.S.D.
W504	ERJ3GEY0R00V	1/10W 0	1		DP7501	A2BB00000165	DISPLAY TUBE	1	
W505	ERJ3GEY0R00V	1/10W 0	1		IC7501	C0HBB0000061	IC	1	E.S.D.
W506	ERJ6GEY0R00V	1/8W 0	1		L7501	G0C220JA0019	COIL 22UH	1	
W507	ERJ3GEY0R00V	1/10W 0	1		LB7501	ERJ3GEY0R00V	1/10W 0	1	
W508	ERJ3GEY0R00V	1/10W 0	1		LB7502	ERJ3GEY0R00V	1/10W 0	1	
W509	ERJ3GEY0R00V	1/10W 0	1		LB7503	ERJ3GEY0R00V	1/10W 0	1	
W510	ERJ3GEY0R00V	1/10W 0	1		LB7504	ERJ3GEY0R00V	1/10W 0	1	
W511	ERJ6GEY0R00V	1/8W 0	1		LB7505	J0JGC0000020	COIL	1	
W512	ERJ6GEY0R00V	1/8W 0	1		LB7506	ERJ3GEY0R00V	1/10W 0	1	
W513	ERJ3GEY0R00V	1/10W 0	1		LB7507	ERJ3GEY0R00V	1/10W 0	1	
W514	ERJ3GEY0R00V	1/10W 0	1		PP7501	K1KA20B00132	CONNECTOR(20P)	1	
W515	ERJ3GEY0R00V	1/10W 0	1		Q7502	B1ABDF000033	TRANSISTOR	1	E.S.D.
W516	ERJ3GEY0R00V	1/10W 0	1		QR7502	B1GBCFJ00040	TRANSISTOR	1	E.S.D.
W517	ERJ3GEY0R00V	1/10W 0	1		QR7503	B1GBCFJ00040	TRANSISTOR	1	E.S.D.
W518	ERJ6GEY0R00V	1/8W 0	1		QR7504	B1GBCFJ00040	TRANSISTOR	1	E.S.D.
W519	ERJ3GEY0R00V	1/10W 0	1		R7501	ERJ3GEYJ183V	1/10W 18K	1	
W520	ERJ3GEY0R00V	1/10W 0	1		R7502	ERJ3GEYJ391V	1/10W 390	1	
W521	ERJ3GEY0R00V	1/10W 0	1		R7503	ERJ3GEYJ391V	1/10W 390	1	
W522	ERJ3GEY0R00V	1/10W 0	1		R7504	ERJ3GEYJ271V	1/10W 270	1	
W523	ERJ3GEY0R00V	1/10W 0	1		R7505	ERJ3GEYJ183V	1/10W 18K	1	
W524	ERJ3GEY0R00V	1/10W 0	1		R7506	ERJ3GEYJ332V	1/10W 3.3K	1	
W525	ERJ3GEY0R00V	1/10W 0	1		R7507	ERJ3GEYJ152V	1/10W 1.5K	1	
W526	ERJ3GEY0R00V	1/10W 0	1		R7508	ERJ3GEYJ152V	1/10W 1.5K	1	
W527	ERJ6GEY0R00V	1/8W 0	1		R7509	ERJ3GEYJ152V	1/10W 1.5K	1	
W528	ERJ6GEY0R00V	1/8W 0	1		R7510	ERJ3GEYJ222V	1/10W 2.2K	1	
W529	ERJ6GEY0R00V	1/8W 0	1		R7511	ERJ3GEYJ332V	1/10W 3.3K	1	
W530	ERJ3GEY0R00V	1/10W 0	1		R7519	ERJ3GEYJ101V	1/10W 100	1	
W531	ERJ3GEY0R00V	1/10W 0	1		R7520	ERJ3GEYJ101V	1/10W 100	1	
W532	ERJ3GEY0R00V	1/10W 0	1		R7521	ERJ3GEYJ101V	1/10W 100	1	
W533	ERJ3GEY0R00V	1/10W 0	1		R7522	ERJ3GEYJ473V	1/10W 47K	1	
W534	ERJ3GEY0R00V	1/10W 0	1		R7523	ERJ3GEY0R00V	1/10W 0	1	
W535	ERJ3GEY0R00V	1/10W 0	1		R7524	ERJ3GEYJ103V	1/10W 10K	1	
W536	ERJ3GEY0R00V	1/10W 0	1		R7525	ERJ3RBD104V	1/16W 100K	1	
W537	ERJ6GEY0R00V	1/8W 0	1		R7528	ERJ3GEY0R00V	1/10W 0	1	
W538	ERJ3GEY0R00V	1/10W 0	1		S7501	EVQ11G07K	SWITCH, DVD	1	
W539	ERJ3GEY0R00V	1/10W 0	1		S7502	EVQ11G07K	SWITCH, STOP	1	
W540	ERJ3GEY0R00V	1/10W 0	1		S7503	EVQ11G07K	SWITCH, OPEN/CLOSE	1	
W541	ERJ3GEY0R00V	1/10W 0	1		S7504	EVQ11G07K	SWITCH, PLAY	1	
W542	ERJ3GEY0R00V	1/10W 0	1		S7505	EVQ11G07K	SWITCH, REC	1	
W543	ERJ3GEY0R00V	1/10W 0	1		S7506	EVQ11G07K	SWITCH, CH DOWN	1	
W544	ERJ3GEY0R00V	1/10W 0	1		S7507	EVQ11G07K	SWITCH, SELECT	1	
W545	ERJ3GEY0R00V	1/10W 0	1		S7508	EVQ11G07K	SWITCH, CH UP	1	
W546	ERJ3GEY0R00V	1/10W 0	1		S7509	EVQ11G07K	SWITCH, VHS	1	
W547	ERJ3GEY0R00V	1/10W 0	1		W451	ERJ3GEY0R00V	1/10W 0	1	
W548	ERJ6GEY0R00V	1/8W 0	1		W452	ERJ3GEY0R00V	1/10W 0	1	
W549	ERJ6GEY0R00V	1/8W 0	1		W453	ERJ6GEY0R00V	1/8W 0	1	
W550	ERJ6GEY0R00V	1/8W 0	1		W454	ERJ6GEY0R00V	1/8W 0	1	
W551	ERJ3GEY0R00V	1/10W 0	1		W455	ERJ6GEY0R00V	1/8W 0	1	
W552	ERJ3GEY0R00V	1/10W 0	1		W456	ERJ6GEY0R00V	1/8W 0	1	
W553	ERJ3GEY0R00V	1/10W 0	1		W457	ERJ6GEY0R00V	1/8W 0	1	
W554	ERJ3GEY0R00V	1/10W 0	1		W458	ERJ6GEY0R00V	1/8W 0	1	
X9701	H0D100500018	CRYSTAL OSCILLATOR	1		W459	ERJ6GEY0R00V	1/8W 0	1	
X9702	H0A327200108	CRYSTAL OSCILLATOR	1		W460	ERJ3GEY0R00V	1/10W 0	1	
ZA11150	VSC5603-A	HEAT SINK	1		W461	ERJ6GEY0R00V	1/8W 0	1	
ZA11151	XYN3+J8FJ	SCREW	1		W462	ERJ6GEY0R00V	1/8W 0	1	
ZA11270	VSC6148	HEAT SINK	1		W463	ERJ3GEY0R00V	1/10W 0	1	
ZA11271	XYN3+J8FJ	SCREW	1		W464	ERJ3GEY0R00V	1/10W 0	1	
ZJ9101	K9ZZ00001279	EARTH PLATE	1		W465	ERJ6GEY0R00V	1/8W 0	1	
ZJ9102	K9ZZ00001279	EARTH PLATE	1		W466	ERJ6GEY0R00V	1/8W 0	1	
ZJ9103	K9ZZ00001279	EARTH PLATE	1		W467	ERJ6GEY0R00V	1/8W 0	1	
ZJ9104	K9ZZ00001279	EARTH PLATE	1		W468	ERJ6GEY0R00V	1/8W 0	1	
ZJ9105	K9ZZ00001279	EARTH PLATE	1		W469	ERJ6GEY0R00V	1/8W 0	1	
##	VEP72127A	FL DRIVE P.C.B.		(RTL) E.S.D.	W470	ERJ6GEY0R00V	1/8W 0	1	
C7501	F1H1C104A071	16V 0.1U	1		W471	ERJ6GEY0R00V	1/8W 0	1	
C7506	F1H1H104A748	50V 100K	1						



Ref.No.	Part No.	Part Name & Description	Pcs	Remarks	Ref.No.	Part No.	Part Name & Description	Pcs	Remarks
1	VEP79250C	MAIN P.C.B.	1	(EG) (RTL) E.S.D.	73	XTV26+6FFJ	SCREW	1	
1	VEP79250A	MAIN P.C.B.	1	(EB) (RTL) E.S.D.	74	VHD1092-1	SCREW	1	
3	VEE1H73	HDMI CABLE	1		81	RFKV0218HDKT	HDD(250GB)	1	
4	VEP73175A	HDMI P.C.B.	1	(RTL) E.S.D.	82	RMA2124	HDD BRACKET	1	
5	RFKB77129J	BACKEND P.C.B.	1	(EG) (RTL) E.S.D.	83	VEE1H72	SATA CABLE	1	
5	RFKB77129F	BACKEND P.C.B.	1	(EB) (RTL) E.S.D.	84	VEE1H74	HDD_POWER CABLE	1	
6	RFKB71174BT	DIGITAL IF P.C.B.	1	(RTL) E.S.D.	85	RHD34001	SCREW	1	
8	VEP73176B	SD/USB P.C.B.	1	(RTL) E.S.D.	86	RHD34001	SCREW	1	
△ 9	RKMD0006-K2	TOP CASE	1	(EGK、EBK)	87	RHD34001	SCREW	1	
△ 9	RKMD0006-S2	TOP CASE	1	(EGS)	88	RHD34001	SCREW	1	
10	RMA2123	USB ANGLE	1		89	RMG0739A-G	FLOATING RUBBER	1	
11	RMA2044-2J	DVD ANGLE	1		90	RMG0739A-G	FLOATING RUBBER	1	
12	RMC0632	EARTH SPRING	1		91	RMG0739A-G	FLOATING RUBBER	1	
14	RMZ0898	DIGITAL BARRIER	1		92	RMG0739A-G	FLOATING RUBBER	1	
15	VWJ2003-1	FFC	1		93	RMG0742-K1	HDD SHEET	1	
△ 16	RGR0376D-B3	REAR PANEL	1	(EG)	94	RMG0742-K1	HDD SHEET	1	
△ 16	RGR0376D-A3	REAR PANEL	1	(EB)	95	RMG0742-K1	HDD SHEET	1	
17	L6FALCCH0003	DC FAN MOTOR	1		96	RMG0742-K1	HDD SHEET	1	
18	VWJ2004-1	FFC	1		97	RHD30111-31	SCREW	1	
19	RKA0196-K	RUBBER CUSHION	1		98	RHD30111-31	SCREW	1	
20	RKA0196-K	RUBBER CUSHION	1		99	XTB3+8JFJ	SCREW	1	
21	RKA0137-K	FOOT RUBBER	1		100	XTB3+8JFJ	SCREW	1	
22	RKA0137-K	FOOT RUBBER	1						
23	RFKNEX99VEG	RAM/DIGITAL P.C.B. MODULE	1	(EG) E.S.D.					
23	RFKNEX99VEB	RAM/DIGITAL P.C.B. MODULE	1	(EB) E.S.D.					
23-1	RMQ1612	HEAT TRANSFER SHEET	1						
23-2	RMV0312	SHEET COVER	1						
24	RMX0354A-3	MECHA SPACER(F)	1						
25	RMX0355A-3	MECHA SPACER(R)	1						
26	RMZ0897	BARRIER	1						
27	RMZ0897	BARRIER	1						
28	RHD30113-1K	SCREW	1	(EGK、EBK)					
28	RHD30113	SCREW	1	(EGS)					
29	RHD30113-1K	SCREW	1	(EGK、EBK)					
29	RHD30113	SCREW	1	(EGS)					
30	RHD30113-1K	SCREW	1	(EGK、EBK)					
30	RHD30113	SCREW	1	(EGS)					
31	RHD30113-1K	SCREW	1	(EGK、EBK)					
31	RHD30113	SCREW	1	(EGS)					
32	XTB3+8JFJ	SCREW	1						
33	XTB3+8JFJ	SCREW	1						
34	XTB3+8JFJ	SCREW	1						
35	XTB3+8JFJ	SCREW	1						
36	XTB3+8JFJ	SCREW	1						
37	XTB3+8JFJ	SCREW	1						
38	XTB3+8JFJ	SCREW	1						
39	XTB3+8JFJ	SCREW	1						
40	XTB3+8JFJ	SCREW	1						
41	XTB3+8JFJ	SCREW	1						
42	XTB3+8JFJ	SCREW	1						
43	XSN3+4FJ	SCREW	1						
44	XSN3+4FJ	SCREW	1						
48	RHD30111-31	SCREW	1						
49	RHD30111-31	SCREW	1						
50	RHD30111-31	SCREW	1						
51	RHD30111-31	SCREW	1						
52	RHD30111-31	SCREW	1						
53	RHD30111-31	SCREW	1						
54	RHD30111-31	SCREW	1						
55	RHD30111-31	SCREW	1						
56	RHD30111-31	SCREW	1						
57	RHD30111-31	SCREW	1						
58	RHD30111-31	SCREW	1						
59	RHD30111-31	SCREW	1						
60	RHD30111-31	SCREW	1						
61	RHD30111-31	SCREW	1						
62	RHD30111-31	SCREW	1						
63	RHD30111-31	SCREW	1						
64	RHD30111-31	SCREW	1						
65	RHD30111-31	SCREW	1						
66	RHD30111-31	SCREW	1						
67	RHD30111-31	SCREW	1						
69	RHDC0023	SCREW	1						
70	RHDC0023	SCREW	1						
71	RHDC0023	SCREW	1						
72	RHD30148	SCREW	1						

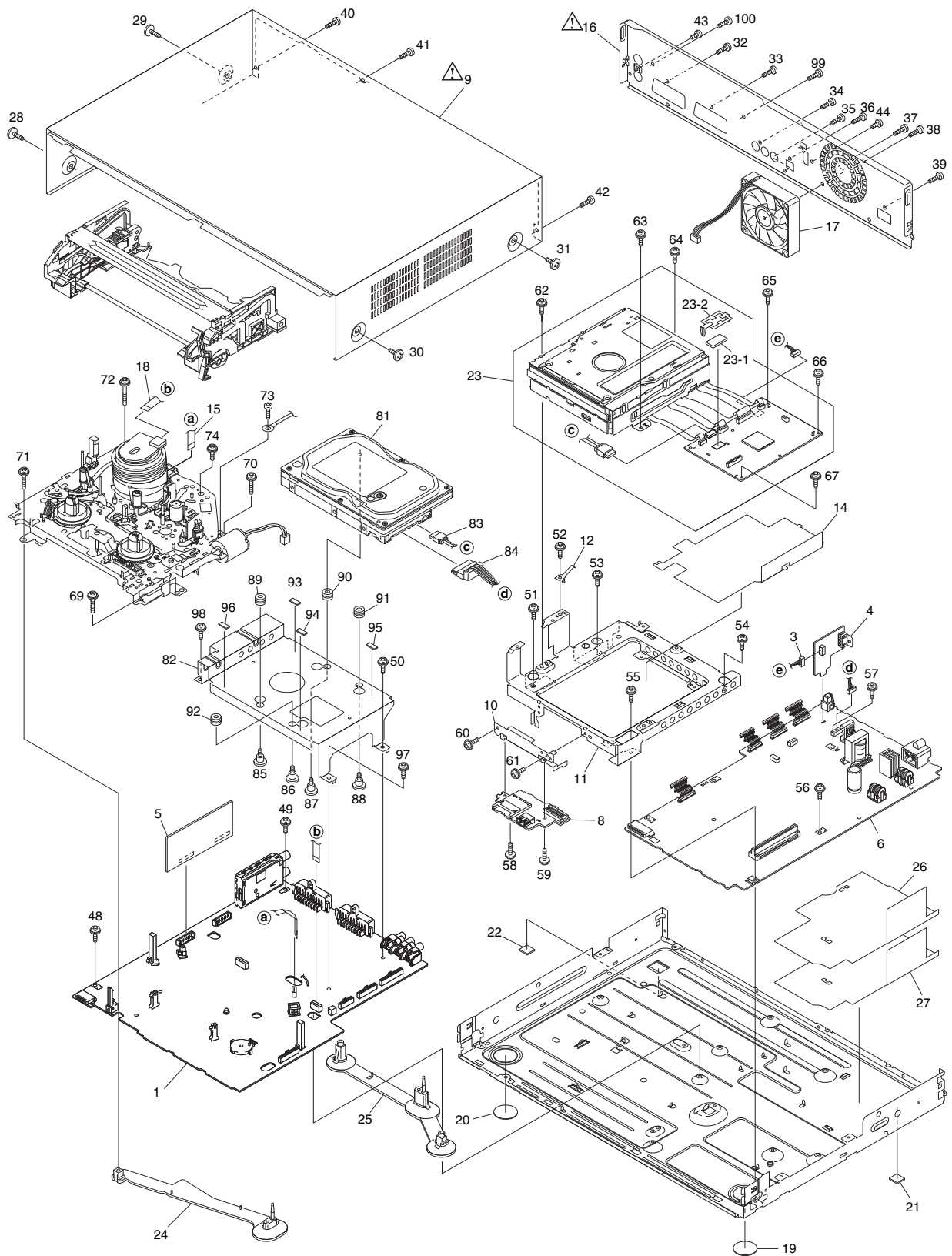




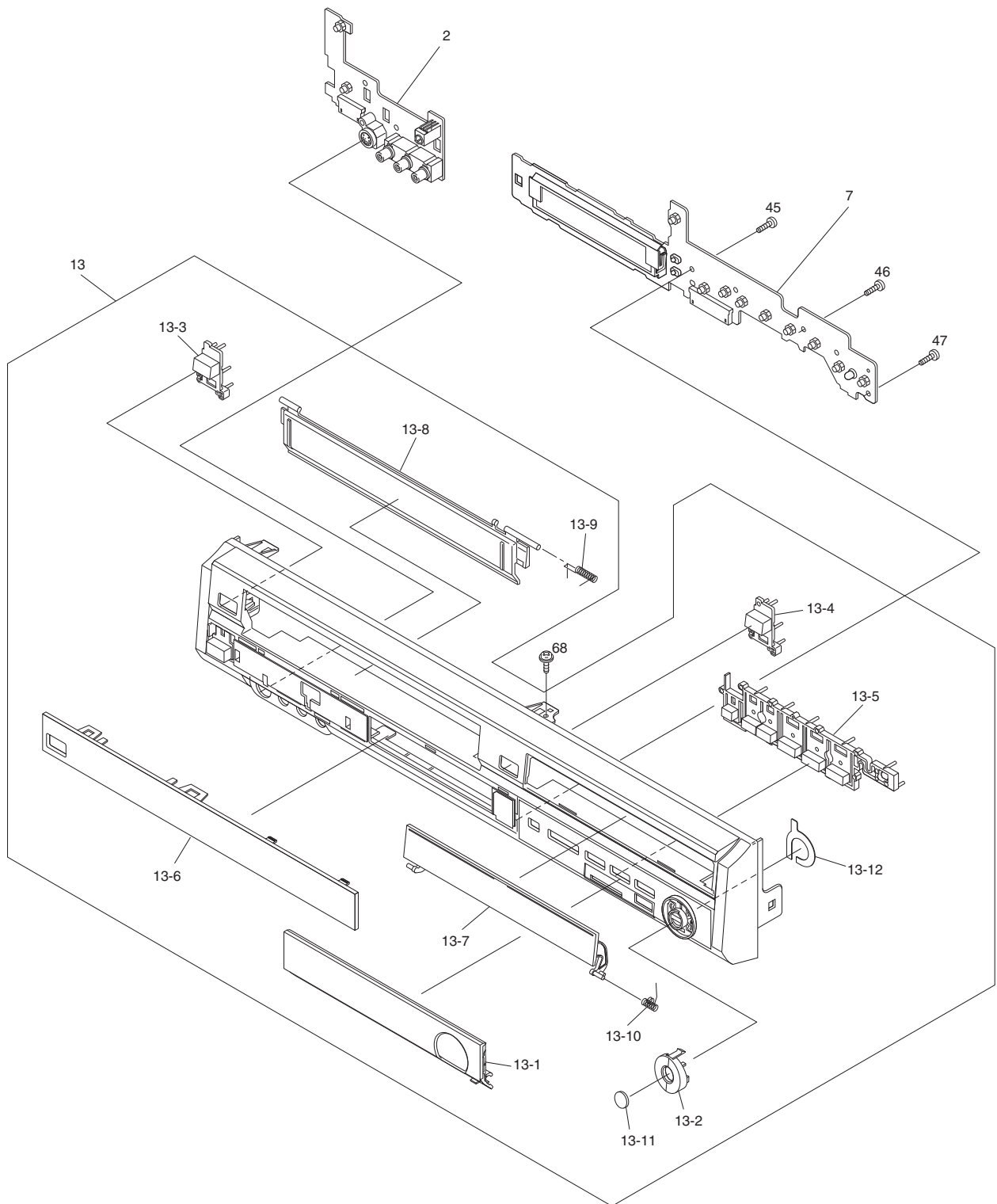


# S8. Exploded View

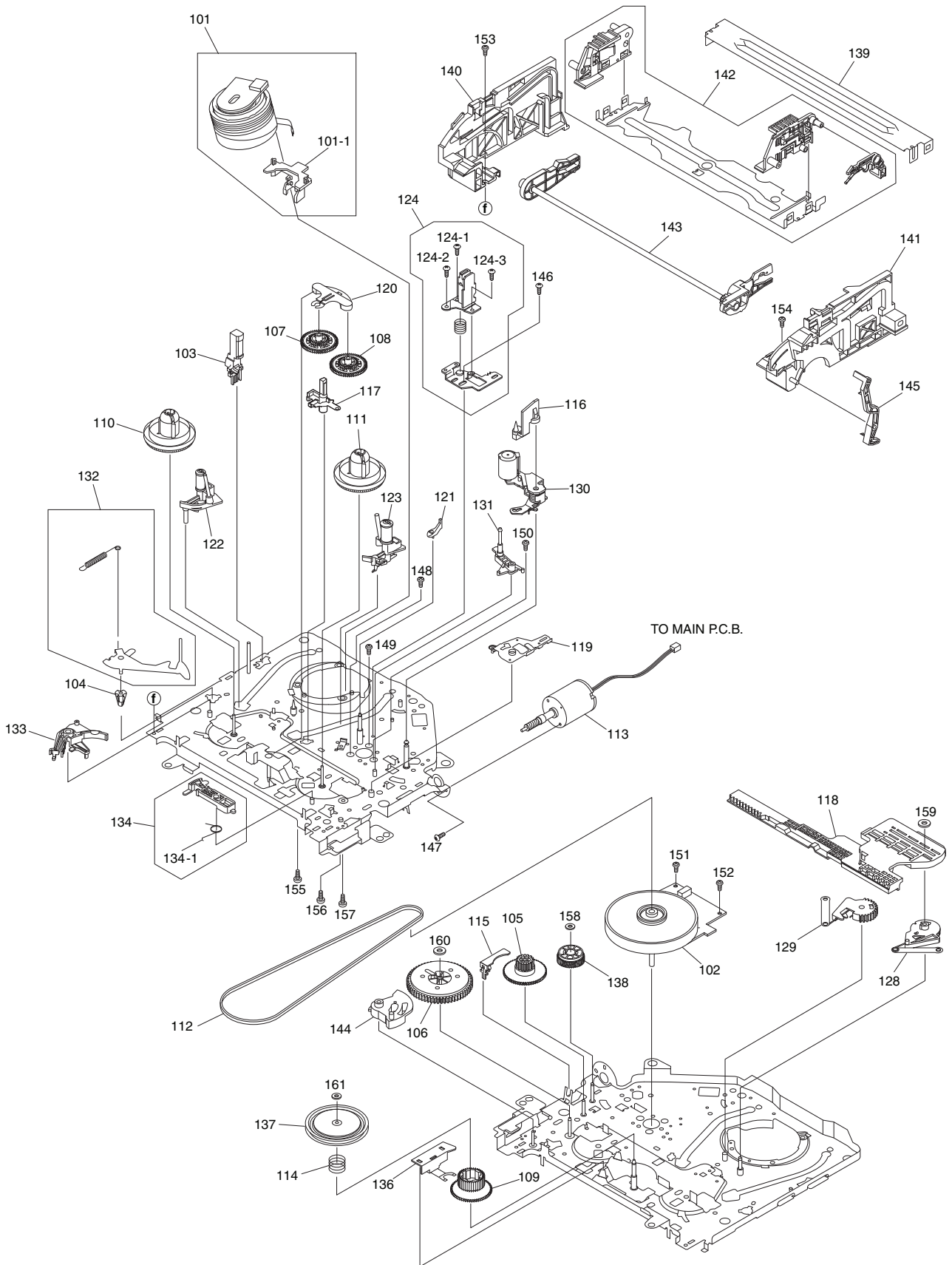
## S8.1. Frame and Casing Section (1)



## S8.2. Frame and Casing Section (2)



# S8.3. Mechanism Section



# S8.4. Packing Parts and Accessories Section

