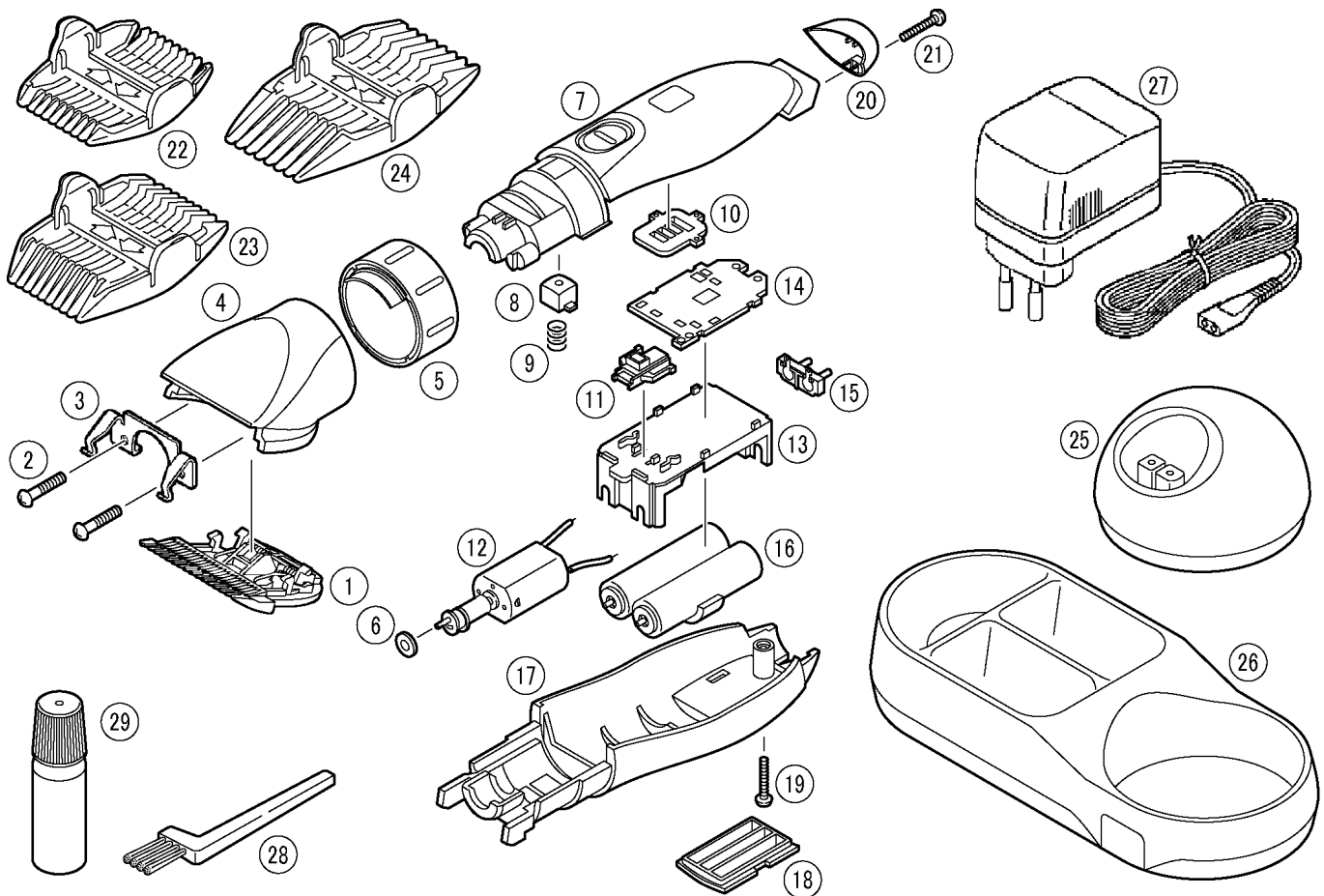


6 EXPLODED VIEW



7 REPLACEMENT PARTS LIST

Ref. No.	Part No.	Part Name & Description	Remarks	Per Unit
1	WER9792Y	BLADE BLOCK		1
2	WER151L9207	TAPPING SCREW	*C K2.6-8	2
3	WER154L0168	SPRING FOR CUTTER		1
4	WER154S3968	FRONT PANEL		1
5	WER154S3288	ADJUSTING DIAL		1
6	WER150L0137	DUST-PROOF RUBBER		1
7	WER154K3058	HOUSING A		1
8	WER154L0458	DIAL CLICK BUTTON		1
9	WER154L0158	DIAL CLICK SPRING		1
10	WER154L3178	HOLDING PLATE		1
11	WER154L3578	SWITCH CONTACT PLATE		1
12	WER154L1008	MOTOR		1
13	WER154L0778	CHASSIS BLOCK		1
14	WER154L2108	MODULE		1
15	WER154K2158	PLUG BLOCK		1
16	WER154L2508	RECHARGEABLE BATTERY	*B Ni-Mh Type (2PCS/PK)	2
17	WER154K3068	HOUSING B		1
18	WER154K8408	NAME PLATE		1
19	WER160L9207	P-TIGHT SCREW	M2.0-8	1
20	WER154K3178	BOTTOM COVER		1
21	WER160L9107	SCREW	M2-6	1
22	WER154K7398	COMB ATTACHMENT A	3-4MM	1
23	WER154K7408	COMB ATTACHMENT B	6-9MM	1
24	WER154K7418	COMB ATTACHMENT C	12-15MM	1
25	WER154K7188	CHARGING STAND		1
26	WER154K7198	CHARGING STAND TRAY		1
27	WER154K7659	CHARGING ADAPTOR	C-2 PLUG	1
28	WES76806761	CLEANING BRUSH		1
29	WER203X7918	OIL		1
-	WER154K8008	INDIVIDUAL BOX		1
-	WER154K8108	OPERATING INSTRUCTIONS		1